



*Doing Our Best to Provide You the Best*

AC20097, Rev 1  
08/16

---

**QUICK TACH**  
**600 Gallon 4WD Tractors**

---



**OPERATOR MANUAL**

## INTRODUCTION

---

Thank you for purchasing a Demco Gravity Flow Wagon. We feel you have made a wise choice and hope you are completely satisfied with your new piece of equipment. Proper care and use will result in many years of service.

### WARRANTY POLICY, OPERATOR MANUALS & REGISTRATION

Go online to [www.demco-products.com](http://www.demco-products.com) to review Demco warranty policies, operator manuals and register your Demco product.

**TAKE NOTE! THIS SAFETY ALERT SYMBOL FOUND THROUGHOUT THIS MANUAL IS USED TO CALL YOUR ATTENTION TO INSTRUCTIONS INVOLVING YOUR PERSONAL SAFETY AND SAFETY OF OTHERS. FAILURE TO FOLLOW THESE INSTRUCTIONS CAN RESULT IN INJURY OR DEATH!**



**THIS SYMBOL MEANS  
ATTENTION  
BECOME ALERT  
YOUR SAFETY IS INVOLVED!**

#### **SIGNAL WORDS:**

This manual uses the following signal words--DANGER, WARNING, and CAUTION-- with safety messages. The appropriate signal word has been selected using the following guidelines.

#### **WARNING:**

Indicates a potentially hazardous situation that, if not avoided, could result in death or serious injury, and includes hazards that are exposed when guards are removed. It may also be used to alert against unsafe practices.

#### **DANGER:**

Indicates an imminently hazardous situation that, if not avoided, will result in death or serious injury. This signal word is to be limited to most extreme situations typically for machine components which, for functional purposes, cannot be guarded.

#### **CAUTION:**

Indicates a potentially hazardous situation that, if not avoided, may result in minor or moderate injury. It may also be used to alert against unsafe practices.

If you have questions not answered in this manual, require additional copies, or if your manual is damaged, please contact your dealer or Demco, 4010 320th Street, Boyden, IA 51234  
ph: (712) 725-2311 or Toll Free: 1-800-543-3626 Fax: (712) 725-2380  
<http://www.demco-products.com>



## SAFETY...YOU CAN LIVE WITH IT



### EQUIPMENT SAFETY GUIDELINES

Every year many accidents occur which could be avoided by a few seconds of thought and more careful approach to handling equipment. You, the operator, can avoid accidents by observing precautions in this section. To avoid personal injury, study precautions and insist those working with you, or you yourself, follow them.

In order to provide a better view, certain illustrations in this manual may show an assembly with a safety shield removed. However, sprayer should never be operated in this condition. Keep all shields in place. If shield removal becomes necessary for repairs, replace shield prior to use.

Replace any caution, warning, danger or instruction safety decal that is not readable or is missing. Location of such decals is indicated in this booklet.

Do not attempt to operate this sprayer under the influence of alcohol or drugs.

Review safety instructions with all users.

Operator should be a responsible adult. **DO NOT ALLOW PERSONS TO OPERATE OR ASSEMBLE THIS SPRAYER UNTIL THEY HAVE DEVELOPED A THOROUGH UNDERSTANDING OF SAFETY PRECAUTIONS AND HOW IT WORKS.**

To prevent injury or death, use a tractor equipped with a roll over protective system (ROPS). Do not paint over, remove, or deface any safety signs or warning decals on your sprayer. Observe all safety signs and practice instructions on them.

Never exceed limits of sprayer. If its ability to do a job, or to do so safely is in question **DON'T TRY IT.**



### LIGHTING AND MARKING

It is the responsibility of operator to know lighting and marking requirements of local highway authorities and to install and maintain equipment to provide compliance with regulations. Add extra lights when transporting at night or during periods of limited visibility.

Lighting kits are available from your dealer or manufacturer.

**SAFETY SIGN LOCATIONS**


**WARNING**

To prevent serious injury or death

- Refer to chemical supplier and manufacturer recommendations and all licensing restrictions or regulations.
- Always wear recommended protective clothing when working with chemicals or sprayer.
- Dispose of all unused chemicals or solutions in proper and ecologically sound manner. Improper use can injure people, animals, plants and soil.

REV 1 AB21014

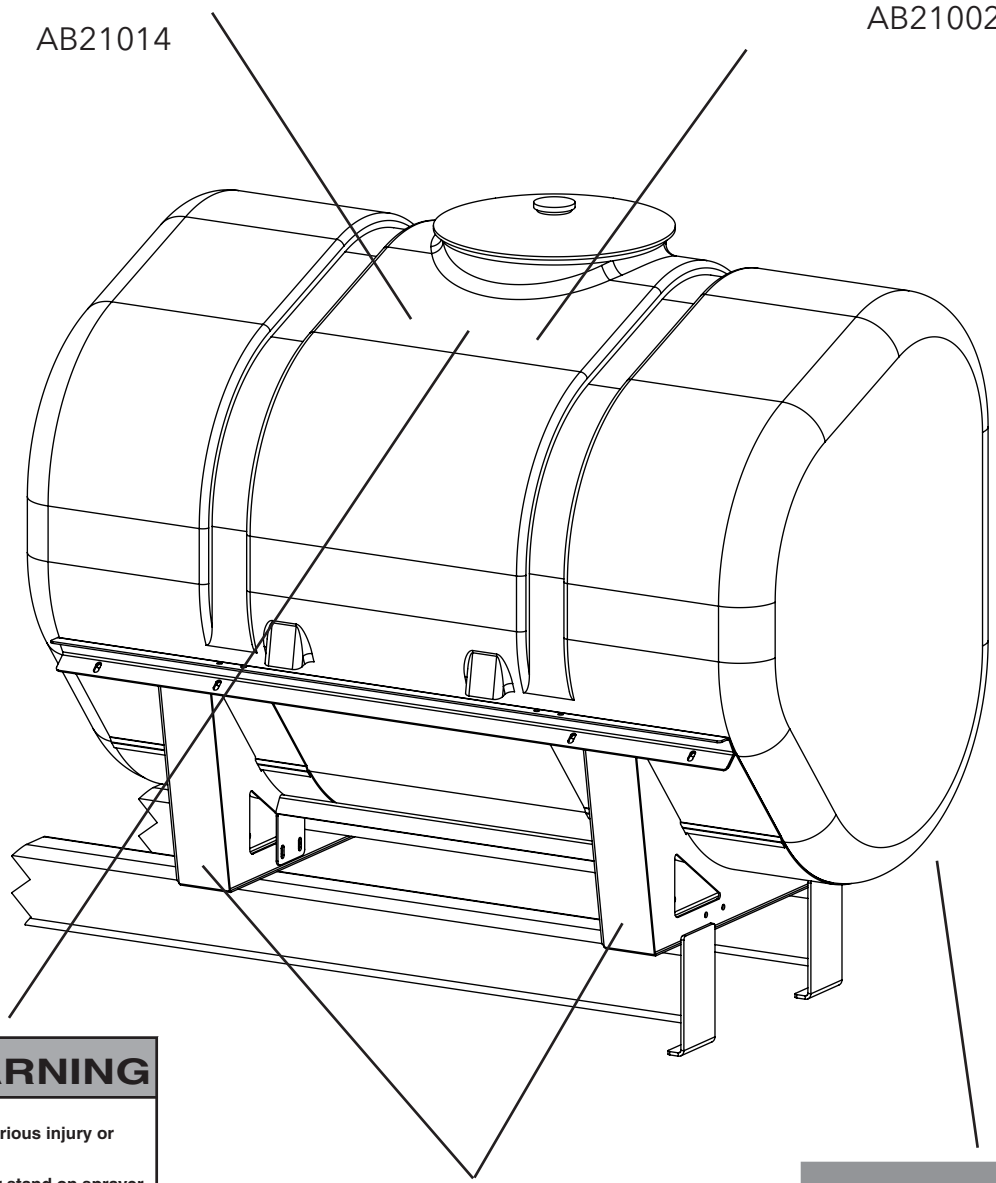
**WARNING**



To prevent serious injury or death

- Store sprayer on hard level surface.
- Store empty.

REV 1 AB21002



**WARNING**

To prevent serious injury or death.

Do not ride or stand on sprayer while any part of sprayer is moving.

Keep riders off at all times.

REV 1 AB21001

AB21001

Part# 10327 Amber

Part# 10328 Red  
(on back saddle support)

 **SAFETY SIGN CARE**

- Keep safety signs clean and legible at all times.
- Replace safety signs that are missing or have become illegible.
- Replacement parts that displayed a safety sign should also display current sign.
- Safety signs are available from your distributor, dealer parts department, or manufacturer.

**How to install safety signs:**

- Be sure installation area is clean and dry.
- Decide on exact position before you remove backing paper.
- Remove smallest portion of split backing paper.
- Align decal over specified area and carefully press small portion with exposed sticky backing in place.
- Slowly peel back remaining paper and carefully smooth remaining portion of decal into place.
- Small air pockets can be pierced with a pin and smoothed out using piece of decal backing paper.

 **TIRE SAFETY**

- Failure to follow proper procedures when mounting tire on rim can produce an explosion resulting in serious injury or death.
- Do not attempt to mount tire unless you have proper equipment and experience.
- Inflating or servicing tires can be dangerous. Whenever possible, trained personnel should be called to service or mount tires.
- Always order and install tires and wheels with appropriate type and load capacity to meet or exceed anticipated weight to be placed on sprayer.

 **REMEMBER**

Your best assurance against accidents is a careful and responsible operator. If there is any portion of this manual or function you do not understand, contact your local authorized dealer or manufacturer.

 **BEFORE OPERATION**

- Carefully study and understand this manual.
- Do not wear loose-fitting clothing which may catch in moving parts.
- Always wear protective clothing and substantial shoes.
- It is recommended that suitable hearing and eye protection be worn.
- Operator may come in contact with certain materials which may require specific safety equipment relative to handling of such materials. (Examples: extremely dust, molds, fungus, bulk fertilizers, etc.)

- Keep wheel and lug nuts tightened to specified torque.
- Assure that agricultural implement tires are inflated evenly.
- Give sprayer a visual inspection for any loose bolts, worn parts, or cracked welds, and make necessary repairs. Follow maintenance safety instructions included in this manual.
- Be sure there are no tools lying on or in equipment.
- Do not use the sprayer until you are sure that area is clear, especially around children and animals.
- Don't hurry learning process or take sprayer for granted. Ease into it and become familiar with your new equipment.
- Practice operation of your sprayer and its attachments. Completely familiarize yourself and other operators with its operation before using.
- Use a tractor equipped with Roll Over Protection System (ROPS) and fasten your seat belt prior to starting engine.
- Manufacturer does not recommend usage of tractor with ROPS removed.
- Move tractor wheels to widest recommended settings to increase stability.
- Do not allow anyone to stand between tongue or hitch and towing unit when backing up to equipment.



### DURING OPERATION

- Beware of bystanders, **PARTICULARLY CHILDREN!** Always look around to make sure it is safe to start engine of towing unit or move sprayer. This is particularly important with higher noise levels and quiet cabs, as you may not hear people shouting.
- **NO PASSENGERS ALLOWED**- Do not carry passengers anywhere on or in the tractor or sprayer.
- Keep hands and clothing clear of moving parts.
- Do not clean, lubricate, or adjust your sprayer while it is moving.
- When halting operation, even periodically, set tractor or towing unit brakes, disengage PTO, shut off engine, and **remove ignition key**.
- Be especially observant of operating area and terrain- watch for holes, rocks, or other hidden hazards. Always inspect area prior to operation.
  - DO NOT operate near edge of drop-offs or banks.
  - DO NOT operate on steep slopes as overturn may result.
  - Operate up and down (not across) intermediate slopes. Avoid sudden starts and stops.

- Pick the most level possible route when transporting across fields. Avoid edges of ditches, gullies, and steep hillsides.
- Be extra careful when working on inclines.
- Periodically clear equipment of brush, twigs, or other materials to prevent buildup of dry combustible materials.
- Maneuver tractor or towing unit at safe speeds.
- Avoid overhead wires or other obstacles. Contact with overhead lines could cause serious injury or death.
- Avoid loose gravel, rocks, and holes; they can be dangerous for equipment operation or movement.
- Allow for sprayer length when making turns.
- Do not walk or work under raised components or attachments unless securely positioned and blocked.
- Keep all bystanders, pets, and livestock clear of work area.
- Operate towing unit from operators seat only.
- Never stand alongside of unit with engine running or attempt to start engine and/or operate machine while standing alongside of unit.
- Never leave running equipment attachments unattended.
- As a precaution, always recheck hardware on equipment following every 100 hours of operation. Correct all problems. Follow maintenance safety procedures.



### **FOLLOWING OPERATION**

- Following operation, or when unhitching, stop tractor or towing unit, set brakes, disengage PTO and all power drives, shut off engine and **remove ignition key**.
- Store sprayer in an area away from human activity.
- Do not park sprayer where it will be exposed to livestock for long periods of time. Damage and livestock injury could result.
- Do not permit children to play on or around the stored sprayer.
- Make sure all parked machines are on a hard, level surface and engage all safety devices.
- Wheel chocks may be needed to prevent unit from rolling.



### HIGHWAY AND TRANSPORT OPERATIONS

- **SAFETY CHAINS:** If equipment is going to be transported on a public highway, always follow state and local regulations regarding safety chains and auxiliary lighting. Be sure to check with local law enforcement agencies for your own particular regulations. If required safety chains should be obtained and installed. Only safety chains (not elastic or nylon/plastic tow straps) should be used to retain connection between towing and towed machines in event of separation of primary attaching system. Use a high strength, appropriately sized hitch pin with a mechanical retainer and attach safety chains. Criss cross chains under tongue and secure to draw bar cage, mounting loops, or bumper frame.
- Adopt safe driving practices:
  - Keep brake pedals latched together at all times. **NEVER USE INDEPENDENT BRAKING WITH SPRAYER IN TOW. LOSS OF CONTROL OR UPSET MAY RESULT.**
  - Always drive at a safe speed relative to local conditions and ensure that your speed is low enough for an emergency stop. Keep speed to a minimum.
  - Reduce speed prior to turns to avoid risk of overturning.
  - Always keep tractor or towing unit in gear to provide engine braking when going downhill. Do not coast.
  - Do not drink and drive!
- Comply with state and local laws governing highway safety and movement of farm machinery on public roads.
- Use approved accessory lighting flags and necessary warning devices to protect operators of other vehicles on highway during transport. Various safety lights and devices are available from your dealer.
- Use of flashing amber lights is acceptable in most localities. However, some localities prohibit their use. Local laws should be checked for all highway lighting and marking requirements.
- When driving tractor and sprayer under 20 mph (40 kph) day or night, use flashing amber warning lights and a slow moving vehicle (SMV) identification emblem.
- Plan your route to avoid heavy traffic.
- Be a safe and courteous driver. Always yield to oncoming traffic in all situations, including narrow bridges, intersections, etc.
- Be observant of bridge load ratings. Do not cross bridges rated lower than gross weight of unit you are operating.
- Watch for obstructions overhead and side to side while transporting.
- Always operate equipment in a position to provide maximum visibility at all times. Make allowances for increased length and weight of sprayer when making turns, or stopping.





## PERFORMING MAINTENANCE

- Good maintenance is your responsibility. Poor maintenance is an invitation to trouble.
- Make sure there is plenty of ventilation. Never operate engine of towing vehicle in a closed building. Exhaust fumes may cause asphyxiation.
- Before working on this machine, stop towing vehicle, set brakes, disengage PTO and all power drives, shut off engine and **remove ignition key**.
- Be certain all moving parts and attachments have come to a complete stop before attempting to perform maintenance.
- Always use a safety support and block wheels. Never use a jack to support machine.
- Always use proper tools or equipment for job at hand.
- Use extreme caution when making adjustments.
- Follow torque chart in this manual when tightening bolts and nuts.
- Never use your hands to locate a hydraulic leak on attachments. Use a small piece of cardboard or wood. Hydraulic fluid escaping under pressure can penetrate skin.
- Openings in skin and minor cuts are susceptible to infection from hydraulic fluid.  
**Without immediate medical treatment, serious infection and reactions can occur.**
- When disconnecting hydraulic lines, shut off hydraulic supply and relieve all hydraulic pressure.
- Replace **all shields** and **guards** after servicing and before moving.
- After servicing, be sure all tools, parts and service equipment are removed.
- Do not allow grease or oil to build up on any steps or platform.
- When replacing bolts refer to owners manual.
- Refer to bolt torque chart for head identification marking.
- Where replacement parts are necessary for periodic maintenance and servicing, genuine factory replacement parts must be used to restore your equipment to original specifications. Manufacturer will not claim responsibility for use of unapproved parts or accessories and other damages as a result of their use.
- If equipment has been altered in any way from original design, manufacturer does not accept any liability for injury or warranty.
- A fire extinguisher and first aid kit should be kept readily accessible while performing maintenance on this equipment



## TORQUE SPECIFICATION

Torque figures indicated are valid for non-greased or non-oiled threads and heads unless otherwise specified. Therefore, do not grease or oil bolts or capscrews unless otherwise specified in this manual. When using locking elements, increase torque values by 5%.

\* GRADE or CLASS value for bolts and capscrews are identified by their head markings.

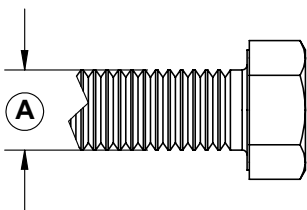
## BOLT TORQUE DATA FOR STANDARD NUTS, BOLTS, AND CAPSCREWS

Tighten all bolts to torques specified in chart unless otherwise noted. Check tightness of bolts periodically, using bolt chart as guide. Replace hardware with same grade bolt.

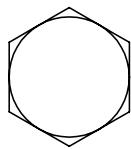
NOTE: Unless otherwise specified, high-strength Grade 5 hex bolts are used throughout assembly of equipment.

Bolt Torque for Standard bolts *						
"A"	GRADE 2		GRADE 5		GRADE 8	
	lb-ft	(N.m)	lb-ft	(N.m)	lb-ft	(N.m)
1/4"	6	(8)	9	(12)	12	(16)
5/16"	10	(13)	18	(25)	25	(35)
3/8"	20	(27)	30	(40)	45	(60)
7/16"	30	(40)	50	(70)	80	(110)
1/2"	45	(60)	75	(100)	115	(155)
9/16"	70	(95)	115	(155)	165	(220)
5/8"	95	(130)	150	(200)	225	(300)
3/4"	165	(225)	290	(390)	400	(540)
7/8"	170	(230)	420	(570)	650	(880)
1"	225	(300)	630	(850)	970	(1310)

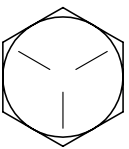
Bolt Torque for Metric bolts *						
"A"	CLASS 8.8		CLASS 9.8		CLASS 10.9	
	lb-ft	(N.m)	lb-ft	(N.m)	lb-ft	(N.m)
6	9	(13)	10	(14)	13	(17)
7	15	(21)	18	(24)	21	(29)
8	23	(31)	25	(34)	31	(42)
10	45	(61)	50	(68)	61	(83)
12	78	(106)	88	(118)	106	(144)
14	125	(169)	140	(189)	170	(230)
16	194	(263)	216	(293)	263	(357)
18	268	(363)	--	--	364	(493)
20	378	(513)	--	--	515	(689)
22	516	(699)	--	--	702	(952)
24	654	(886)	--	--	890	(1206)



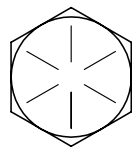
GRADE-2



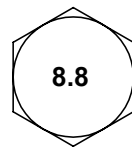
GRADE-5



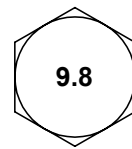
GRADE-8



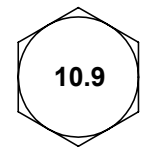
CLASS 8.8



CLASS 9.8



CLASS 10.9



# 300 GALLON SKID & TANK ASSEMBLY

**Preparation:** Remove any blade brackets from the tractor. Mount base plate (specific to your tractor model) to the side of the tractor. See separate instruction found in base plate parts box.

## Assembly

**1.** Mount the cross tubes (#16) to the tractor baseplate. Use 3/4" x 2.50" bolts, washers and nylon insert locknuts. Tighten the bolts enough to support the crosstubes but still allow some movement.

**2.** Mount the saddle supports (#11 & #12) to the cross tubes (#16). Use u-bolts (#17) and nylon insert locknuts. Leave bolts loose so that it may be adjusted on the tube.

**3.** Mount the lower brace (#13) to the saddle supports from step 2. Use 3/8" x 1.00" bolts, washers and nylon insert locknuts. Mount the front and rear brace (#14 & #15) to the saddle supports. Use 3/8" x 1.00" bolts, washers and nylon insert locknuts on the front brace (#14) and use 3/8" x 1.00" bolts and nylon insert locknuts on the rear brace (#15).

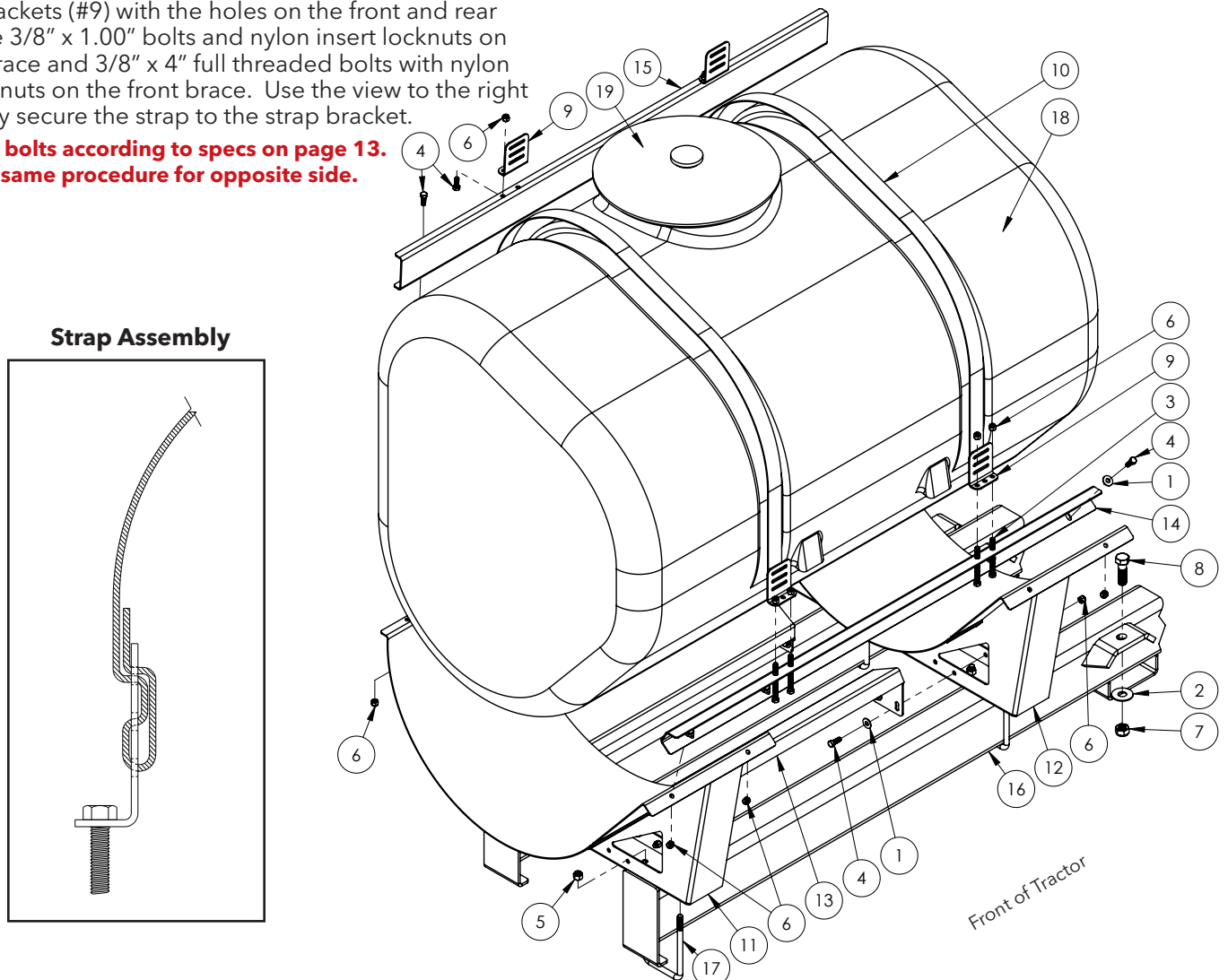
**4.** Tighten bolts that hold the braces to the saddle supports. Then tighten the u-bolts holding saddle supports to the cross tubes.

**5.** Mount the tank (#18) to saddle frame. Put the two 1.75" straps (#10) over the top of tank and secure them with the anchor brackets (#9) with the holes on the front and rear brace. Use 3/8" x 1.00" bolts and nylon insert locknuts on the rear brace and 3/8" x 4" full threaded bolts with nylon insert locknuts on the front brace. Use the view to the right to properly secure the strap to the strap bracket.

**Torque all bolts according to specs on page 13. Follow same procedure for opposite side.**

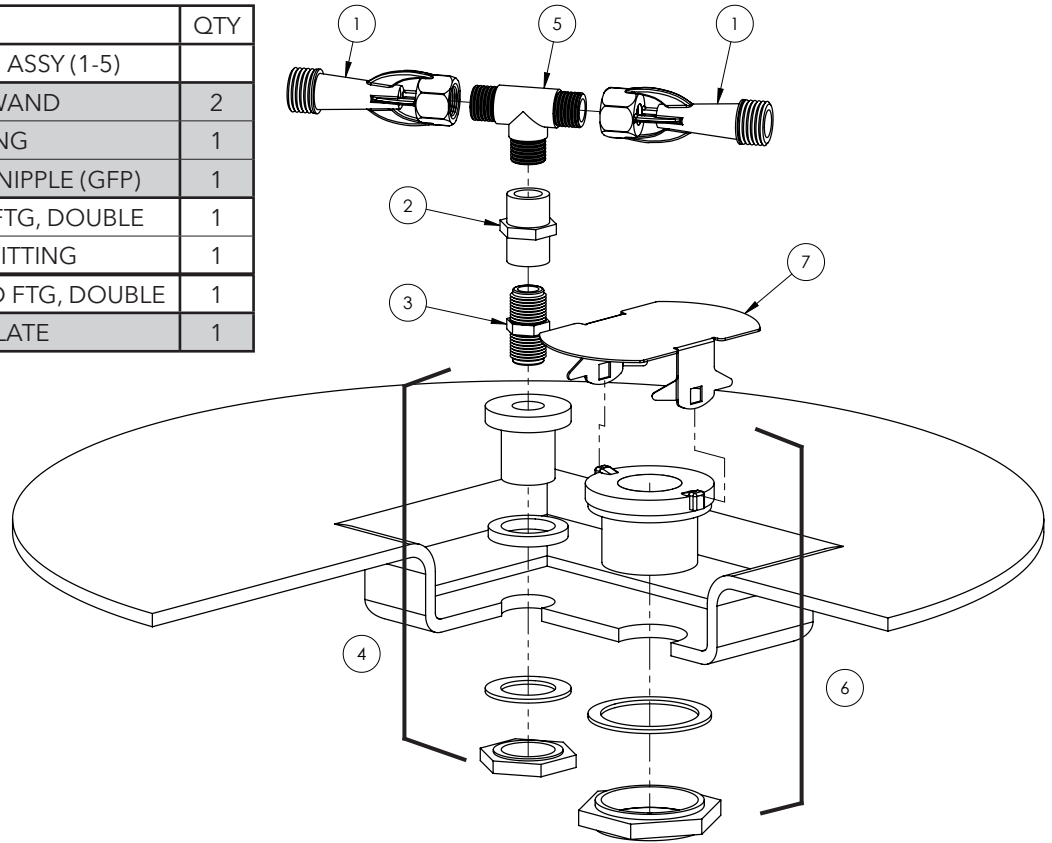
ITEM	PART	DESCRIPTION	QTY
1	00059	WASHER, .375 FLAT	24
2	00492	WASHER, .75 FLAT	8
3	00837	BOLT .375NC X 4.00 GR5 HEX	8
4	00907	BOLT .375NC X 1.00 GR5 HEX	40
5	02178	NUT .50NC NYLON LOCK	16
6	02592	NUT .375NC NYLON LOCK	56
7	02961	NUT .75NC NYLON LOCK	8
8	05047	BOLT .75NC X 2.50 GR5 HEX	8
9	05785-95	ANCHOR STRAP	8
10	09826	STRAP NYLON 1.75" X 86" BLK	4
11	14524-76	SADDLE SUPPORT, RIGHT	2
12	14525-76	SADDLE SUPPORT, LEFT	2
13	14526-76	BRACE, LOWER BLK	4
14	14527-76	BRACE, FRONT BLK	2
15	14528-76	BRACE, REAR BLK	2
16	14529-76	CROSS TUBE BLK	2
17	14545	U-BOLT .50NC 4.06 X 7.00 GR5	8
18	9422202	TANK, 300 GALLON COMPLETE	2
19	12226	REPLACEMENT LID, 12"	1

**RIGHT SIDE SHOWN (Quantities are for both sides)**



# TANK OUTLETS & AGITATION

ITEM	PART	DESCRIPTION	QTY
	D3371PSA	TANK AGITATION ASSY (1-5)	
1	5044 1	JET AGITATION WAND	2
2	FC1200	1/2" FPT COUPLING	1
3	M1200	1/2" MPT CLOSE NIPPLE (GFP)	1
4	P012DA	1/2" BULKHEAD FTG, DOUBLE	1
5	R1212	AGITATION TEE FITTING	1
6	P114A	1-1/4" BULKHEAD FTG, DOUBLE	1
7	11422	ANTO-VORTEX PLATE	1



**Downtime caused by field breakdowns is costly and time consuming. Many breakdowns can be eliminated by periodic equipment maintenance. By spending time reviewing this checklist before seasonal spraying application time and following proper after season care, you can save time and money later.**

 **WARNING: To Prevent Serious Injury Or Death**

- **Keep hands, feet, and loose clothing away from rotating parts.**
- **Wear protective clothing recommended by your chemical and fertilizer manufacturer when working with chemicals.**

**Check Before Going To The Field :**

**1. NOZZLES**

Check tip for excessive wear by checking for grooves in or near tip opening. Check nozzle spacing by starting at center and working outwards. Check boom for proper height.

**2. HOSES**

Check all hoses for worn or soft spots. Be sure all hose clamps are tightened and hoses are not kinked or pinched. Check for leakage in any lines.

**3. TANK**

Remove and clean agitator orifices. Check orifices for excessive wear by checking for grooves in or near orifice opening. Inspect fitting and grommets to insure they are in good condition.

**4. CONTROLS**

Check for leakage, plugging, or wear on all valves, fittings, etc. Clean off any build up of foreign material.

**5. PUMP**

Check to be sure pump turns freely.

**6. FRAME**

Be sure all bolts are tightened.

**7. REPLACEMENT PARTS**

Replace all worn or damaged parts.

**After Season Care:**

**NOTE: It is important to wear proper safety equipment when cleaning. See your chemical or fertilizer package for this information.**

1. After spraying chemicals, run water mixed with cleaners through tank, pump and all hose hookups. If wettable powder dries out in the system, it is very difficult to put back into suspension and can cause malfunction, damage or injury.
2. When cleaned, tank should have all openings closed or covered to keep dirt from entering.
3. Pump should be flushed with soluble oil and pump ports plugged to keep out moisture and air.
4. Disassemble tips and rinse with water or cleaning solution. (Appropriate for chemical sprayed).
5. Clean tip opening with a wooden toothpick. Never use wire or hard object that could distort opening.
6. Dispose of all unused chemicals or solutions in a proper and ecologically sound manner.
7. Water rinse and dry tips before storing.

---

**NOTE: DEMCO does not and will not make any recommendations concerning application of various chemicals or solutions. These recommendations relate to either amount or procedure of materials applied. If you have any questions regarding application of certain chemicals or solutions, contact your chemical supplier and follow chemical manufacturer recommendations.**





**DEMCO**

4010 320th St., Boyden, IA. 51234

Phone: (712) 725-2311

Fax: (712) 725-2380

Toll Free: 1-800-54DEMCO (1-800-543-3626)

**Demco warranty policies, operator manuals, and product registration  
can be found online:**

**[www.demco-products.com](http://www.demco-products.com)**