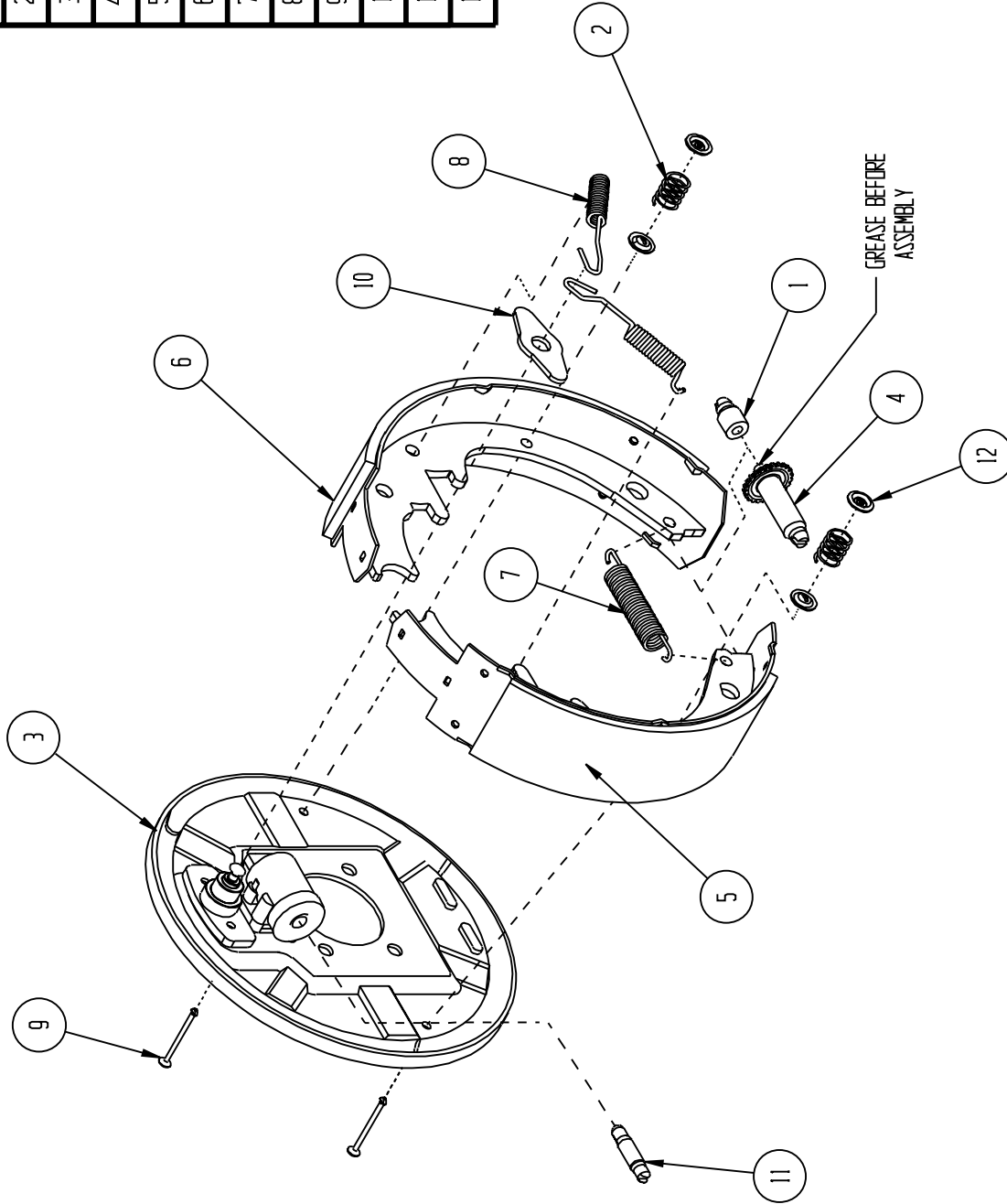


DRAWING NO: 3080P03A-SB18788M

ITEM	PART NO.	DESCRIPTION	QTY
1	03552	ADJ. SCREW SOCKET	1
2	07884	HOLD DOWN SPRING	2
3	35263	LEFT BACK PLATE PREASSY.	1
4	35394	ADJ. SCREW PREASSY.	1
5	SB10948M	PRIMARY SHOE	1
6	SB10949M	SECONDARY SHOE	1
7	SB10957M	ADJUSTING SPRING	1
8	SB10958M	TOP SHOE SPRING	2
9	SB10959	#8 HOLD DOWN PIN	2
10	SB10961-95	SHOE GUIDE, PROP. STYLE	1
11	SB9783M	PUSH ROD	1
12	SB9789	HOLD DOWN CUP	4



DFTM. AW	DATE	11/22/00	MATERIAL SEE PARTS LIST	DESCRIPTION LEFT 10" X 2.25" UNI-SERVO BRAKE CLUSTER (4 ON 4" B.C. MARINE)
	APPROVED BY:	TOLERANCES UNLESS OTHERWISE SPECIFIED ALL DIMENSIONS ARE .XX = ±.030 .XXX = ±.005		
DETHMERS MFG. CO. BOX 189 BOYDEN, IA 51234		PLOT SCALE =	.200	DRAWING NO. 3080P03A-SB18788M