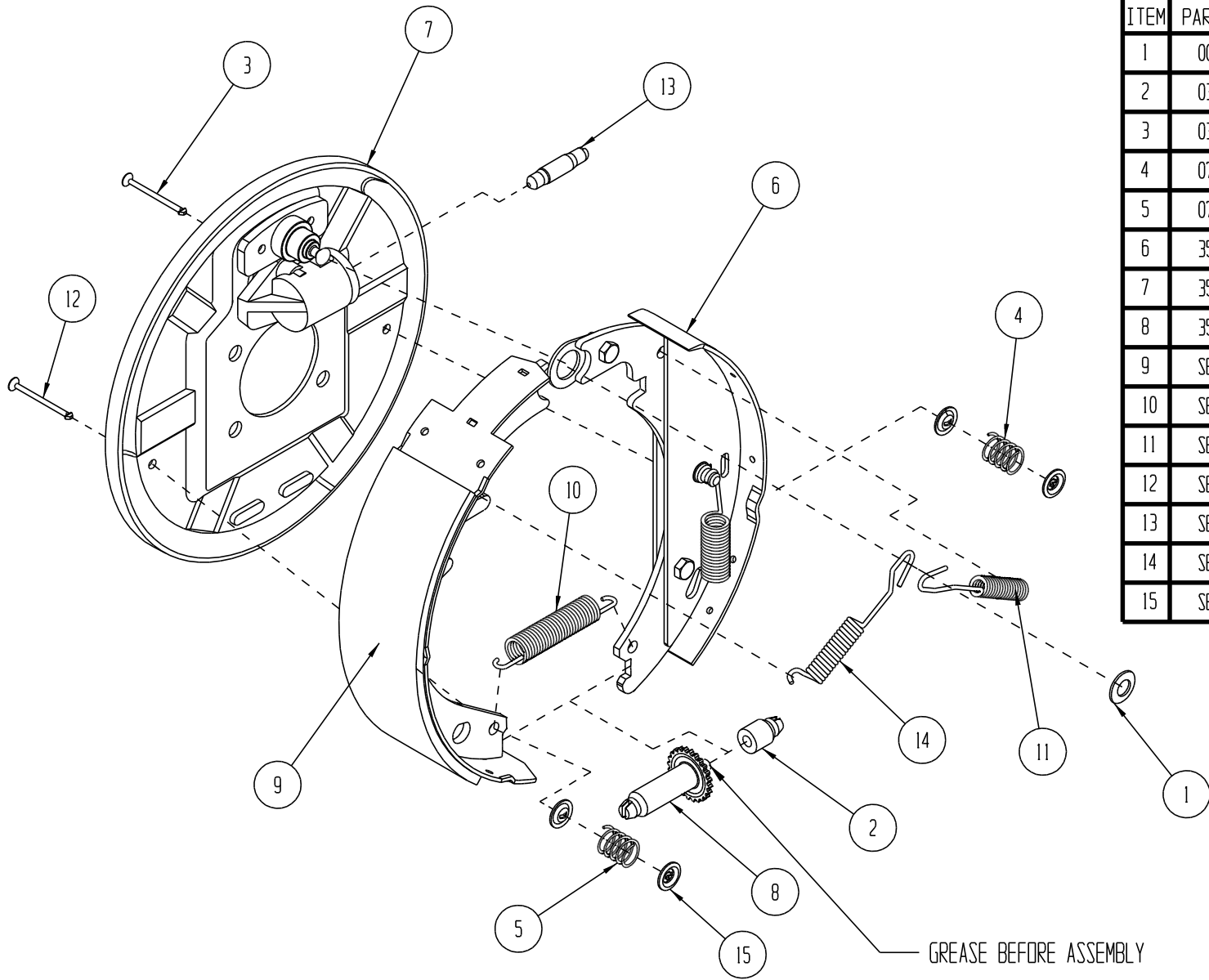


DRAWING NO: 3080P03A-SB40715M



ITEM	PART NO.	DESCRIPTION	QTY
1	00205	7/16" WASHER	1
2	03552	ADJUSTING SCREW SOCKET	1
3	03562	# 1 SHOE HOLD DOWN	1
4	07883	HOLD DOWN SPRING	1
5	07884	HOLD DOWN SPRING	1
6	35202	RIGHT DOUBLE WEBB PREASSY.	1
7	35264	BACK PLATE PREASSY.	1
8	35394	MANUAL ADJ. SCREW PREASSY.	1
9	SB10949M	SHOE ASSY.	1
10	SB10957M	ADJ. SCREW SPRING	1
11	SB10958M	SPRING - LEVER	1
12	SB10959	#8 HOLD DOWN PIN	1
13	SB9783M	PUSH ROD	1
14	SB9785M	RETURN SPRING	1
15	SB9789	HOLD DOWN CLIP	4

DETHMERS MFG. CO. BOX 189 BOYDEN, IA 51234	DFTM. AW	DATE 10/30/00	MATERIAL AS NOTED	DESCRIPTION RIGHT 10" DOUBLE WEBB BRAKE CLUSTER (4 ON 4.00" B.C.) (MARINE)
	APPROVED BY:			
	TOLERANCES UNLESS OTHERWISE SPECIFIED ALL DIMENSIONS ARE .XX = ±.030 .XXX = ±.005		PLOT SCALE = .250	