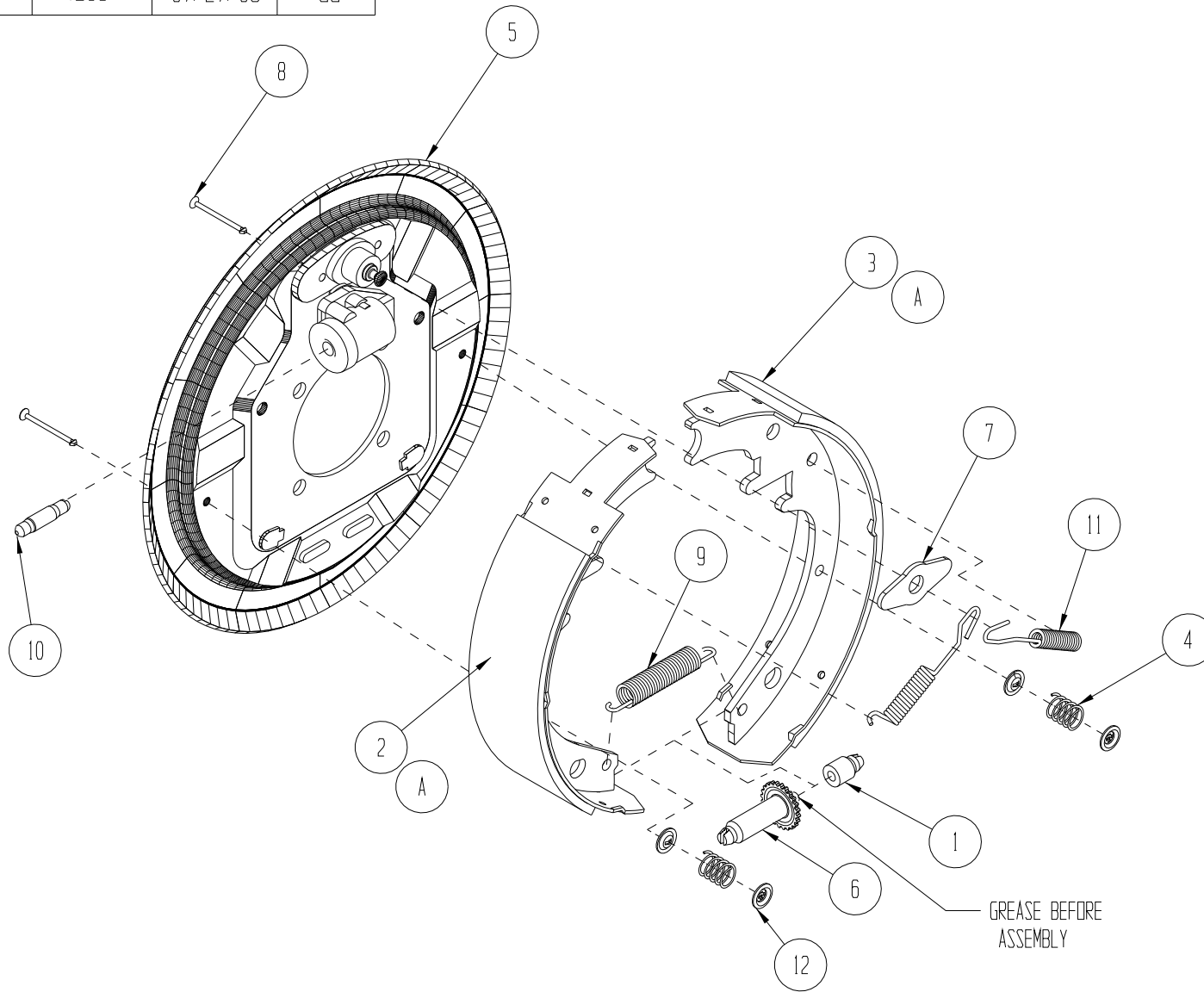


LTR	ECN NO.	DATE	DFTM
A	4205	07/27/09	GG

ITEM	PART NO.	DESCRIPTION	QTY
1	03551	ADJUSTING SREW SOCKET	1
2	07808	PRIMARY SHOE	1
3	07809	SECONDARY SHOE	1
4	07884	HOLD DOWN SPRING	2
5	35261	LEFT BACK-PLATE PREASSY.	1
6	35395	ADJ. SCREW PREASSY.	1
7	SB10961-95	SHOE GUIDE, PROP. STYLE	1
8	SB18505	#4 HOLD DOWN PIN	2
9	SB24765M	ADJUSTING SPRING	1
10	SB9783	PUSH ROD	1
11	SB9786M	TOP SHOE SPRING	2
12	SB9789	HOLD DOWN CUP	4



DETHMERS MFG. CO.
 BOX 189
 BOYDEN, IA 51234

DFTM. AW DATE 11/22/00

APPROVED BY:

TOLERANCES
 UNLESS OTHERWISE SPECIFIED
 ALL DIMENSIONS ARE
 .XX = ±.030 .XXX = ±.005

MATERIAL

SEE PARTS LIST

PLOT SCALE = .200

DESCRIPTION

LEFT 12" UNI-SERVO BRAKE CLUSTER
 (5 ON 3.875" X MARINE)

DRAWING NO. 3080P03A-SB23511M