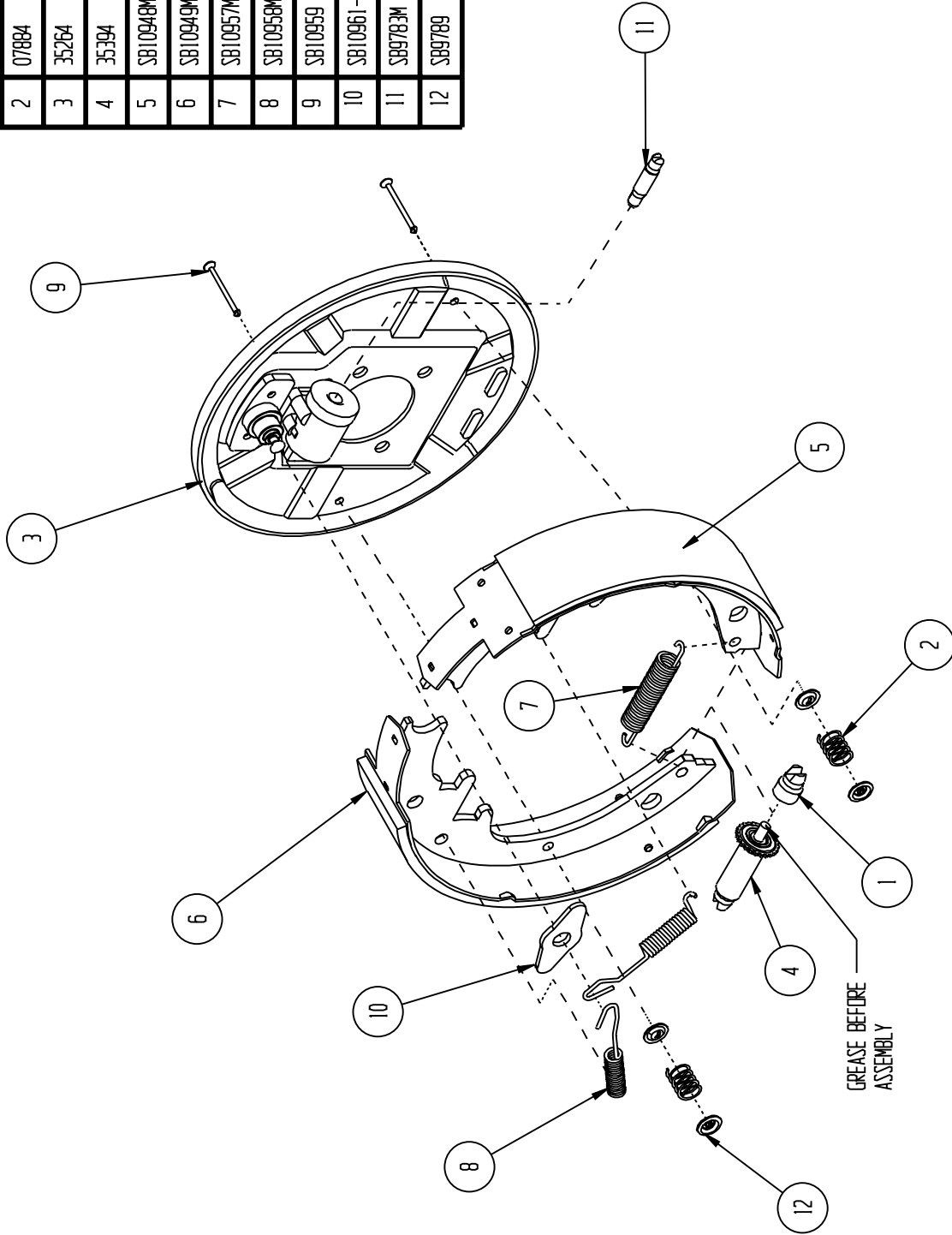


DRAWING NO: 3080P03A-SB18787M

| ITEM | PART NO.   | DESCRIPTION               | QTY |
|------|------------|---------------------------|-----|
| 1    | 03552      | ADJ. SCREW SOCKET         | 1   |
| 2    | 07884      | SPRING, HOLD DOWN         | 2   |
| 3    | 35264      | RIGHT BACK PLATE PREASSY. | 1   |
| 4    | 35394      | ADJ. SCREW PREASSY.       | 1   |
| 5    | SB10948M   | SHOE, PRIMARY             | 1   |
| 6    | SB10949M   | SHOE, SECONDARY           | 1   |
| 7    | SB10957M   | SPRING, ADJUSTMENT        | 1   |
| 8    | SB10958M   | TOP SHOE SPRING           | 2   |
| 9    | SB10959    | #8 HOLD DOWN PIN          | 2   |
| 10   | SB10961-95 | SHOE GUIDE, PROP. STYLE   | 1   |
| 11   | SB9783M    | PUSH ROD                  | 1   |
| 12   | SB9789     | HOLD DOWN CUP             | 4   |



DESCRIPTION

RIGHT 10" X 2.25" UNI-SERVO BRAKE CLUSTER (4 ON 4" B.C. X MARINE)

MATERIAL

SEE PARTS LIST

DFTM. AW DATE 11/22/00

APPROVED BY:

TOLERANCES  
UNLESS OTHERWISE SPECIFIED  
ALL DIMENSIONS ARE  
.XX = ±.030 .XXX = ±.005

DETHMERS MFG. CO.  
BOX 189  
BOYDEN, IA 51234

DRAWING NO. 3080P03A-18787M

PLOT SCALE = .200