



**Dethmers Manufacturing Company**

DOING OUR BEST TO PROVIDE YOU THE BEST

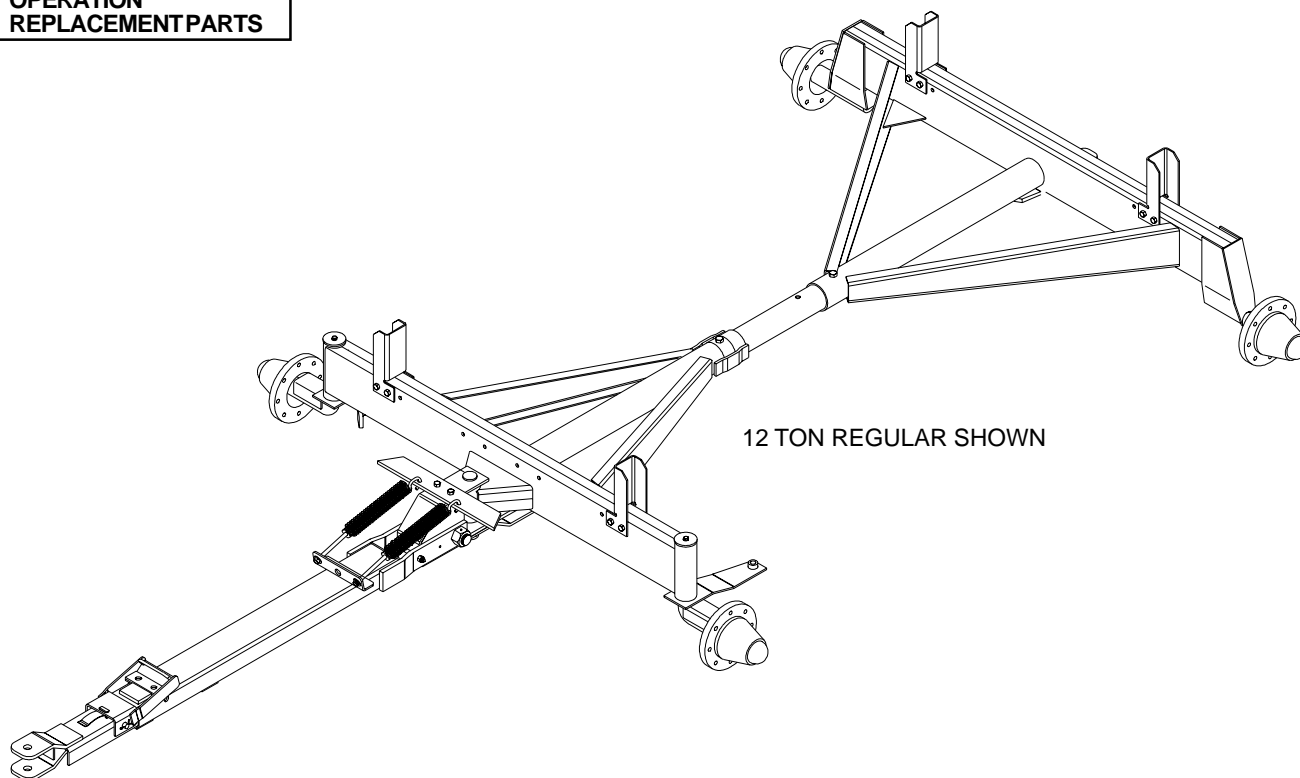
# RUNNING GEARS

12 TON, 10 TON, AND 8 TON

## OPERATORS MANUAL

**READ complete manual CAREFULLY  
BEFORE attempting operation.**

ASSEMBLY  
CALIBRATION  
OPERATION  
REPLACEMENT PARTS



12 TON REGULAR SHOWN

## INTRODUCTION

Thank you for purchasing a Demco Running Gear. We feel you have made a wise choice and hope you are completely satisfied with your new piece of equipment. Proper care and use will result in many years of service.



**WARNING:** TO AVOID PERSONAL INJURY OR DEATH, OBSERVE FOLLOWING INSTRUCTIONS:

**Never overload wagon. Do not exceed the load rating of the gear or load rating of tires, whichever is less.**

**Ensure that anybody present is clear before applying power to any machinery used in conjunction with wagon box or when moving box.**

**Never allow anyone in, near, or on gravity box during transporting or unloading of grain. Moving grain is dangerous and can cause entrapment, resulting in severe injury or death by suffocation.**

**Do not exceed 20 miles per hour when towing wagon.**

## GENERAL INFORMATION

1. Unless otherwise specified, high-strength (grade5) (3 radial-line head markings) hex head bolts are used throughout assembly of this piece of equipment.
2. Whenever terms "**LEFT**" and "**RIGHT**" are used in this manual it means from a position behind wagon box and facing forward.
3. When placing a parts order, refer to this manual for proper part numbers and place order by **PART NO. and DESCRIPTION.**
4. Read assembly instructions carefully. Study assembly procedures and all illustrations before you begin assembly. Note which parts are used in each step. This unit must be assembled in proper sequence or complications will result.

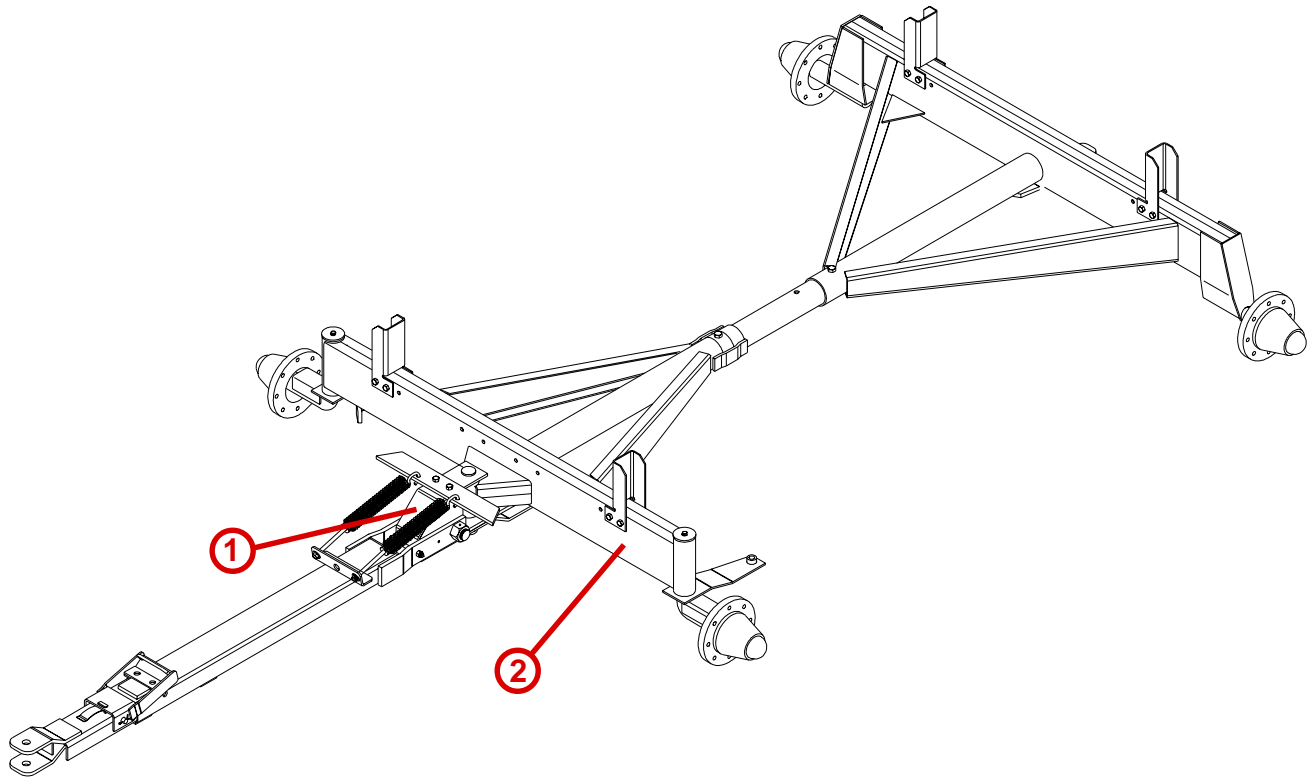
## Table of Contents

General information .....	2
Safety Sign Locations .....	3
Bolt Torque .....	4
Running Gear Parts List and Breakdown .....	5-6
Optional Brake Tongue and Maintenance .....	7-8
Running Gear Rocking Bolster .....	9
Optional 13" Uni-Servo Drum Brakes .....	10
Notes .....	11



## **SAFETY SIGN LOCATIONS**

Types of safety sign and locations on equipment are shown in illustration below. Good safety requires that you familiarize yourself with various safety signs, type of warning, and area or particular function related to that area, that requires your SAFETY AWARENESS.



- 1. AG21070 "DON'T TURN SHARP"**
- 2. AG21002 "CAUTION: 20 MPH"**

# BOLT TORQUE

## TORQUE DATA FOR STANDARD NUTS, BOLTS, AND CAPSCREWS.

Tighten all bolts to torques specified in chart unless otherwise noted. Check tightness of bolts periodically, using bolt chart as guide. Replace hardware with same grade bolt.

NOTE: Unless otherwise specified, high-strength Grade 5 hex bolts are used throughout assembly of equipment.



### Torque Specifications

**Bolt Torque for Standard bolts \***

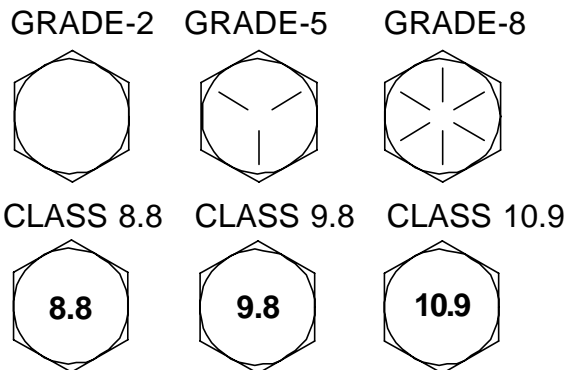
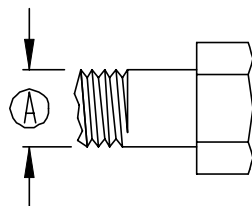
"A"	GRADE 2		GRADE 5		GRADE 8	
	lb-ft	(N.m)	lb-ft	(N.m)	lb-ft	(N.m)
1/4"	6	(8)	9	(12)	12	(16)
5/16"	10	(13)	18	(25)	25	(35)
3/8"	20	(27)	30	(40)	45	(60)
7/16"	30	(40)	50	(70)	80	(110)
1/2"	45	(60)	75	(100)	115	(155)
9/16"	70	(95)	115	(155)	165	(220)
5/8"	95	(130)	150	(200)	225	(300)
3/4"	165	(225)	290	(390)	400	(540)
7/8"	170	(230)	420	(570)	650	(880)
1"	225	(300)	630	(850)	970	(1310)

**Bolt Torque for Metric bolts \***

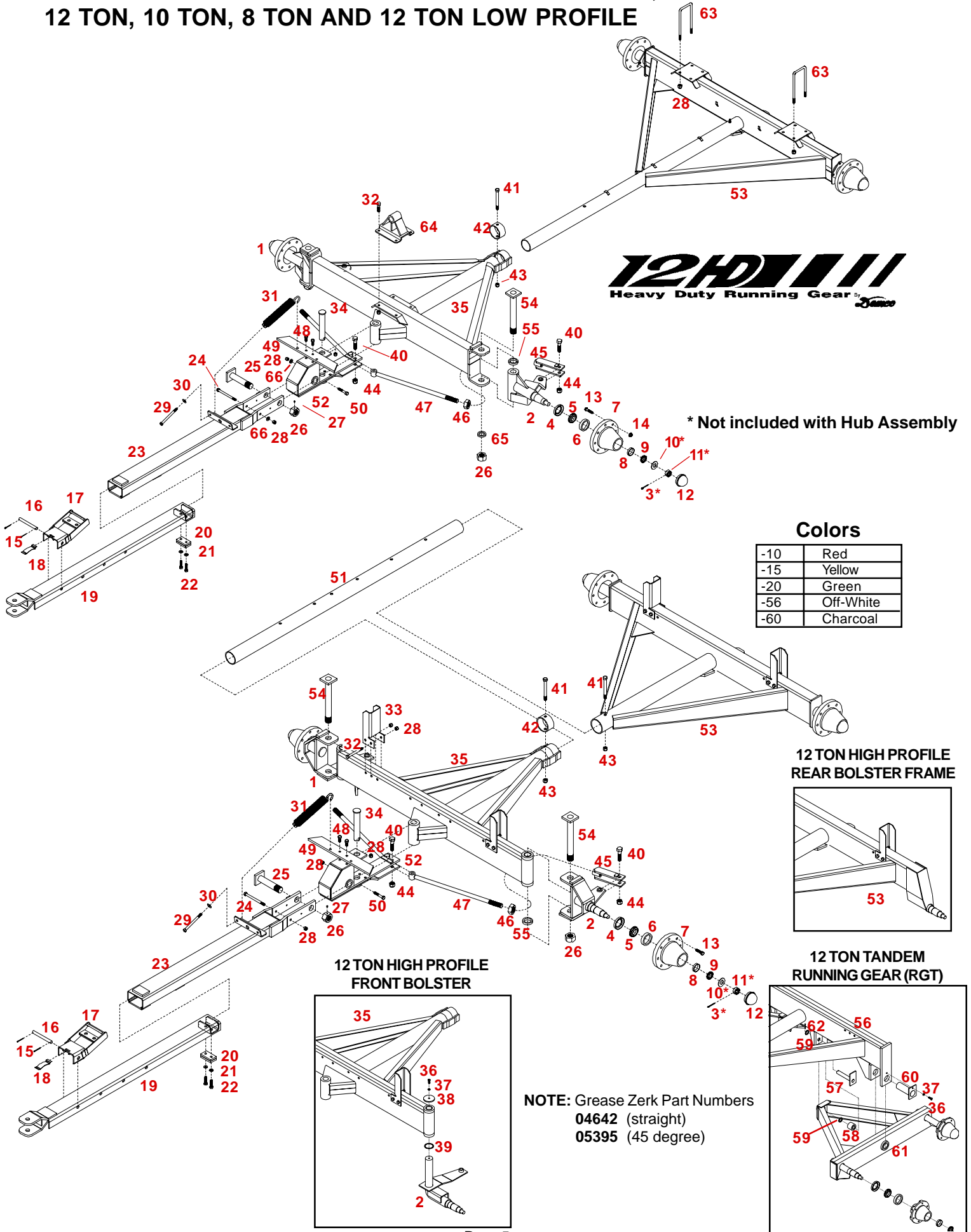
"A"	CLASS 8.8		CLASS 9.8		CLASS 10.9	
	lb-ft	(N.m)	lb-ft	(N.m)	lb-ft	(N.m)
6	9	(13)	10	(14)	13	(17)
7	15	(21)	18	(24)	21	(29)
8	23	(31)	25	(34)	31	(42)
10	45	(61)	50	(68)	61	(83)
12	78	(106)	88	(118)	106	(144)
14	125	(169)	140	(189)	170	(230)
16	194	(263)	216	(293)	263	(357)
18	268	(363)	--	--	364	(493)
20	378	(513)	--	--	515	(689)
22	516	(699)	--	--	702	(952)
24	654	(886)	--	--	890	(1206)

Torque figures indicated are valid for non-greased or non-oiled threads and heads unless otherwise specified. Therefore, do not grease or oil bolts or capscrews unless otherwise specified in this manual. When using locking elements, increase torque values by 5%.

\* GRADE or CLASS value for bolts and capscrews are identified by their head markings.

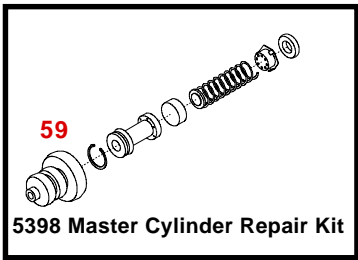


# RUNNING GEAR PARTS BREAKDOWN FOR 12 TON HD, 12 TON, 10 TON, 8 TON AND 12 TON LOW PROFILE

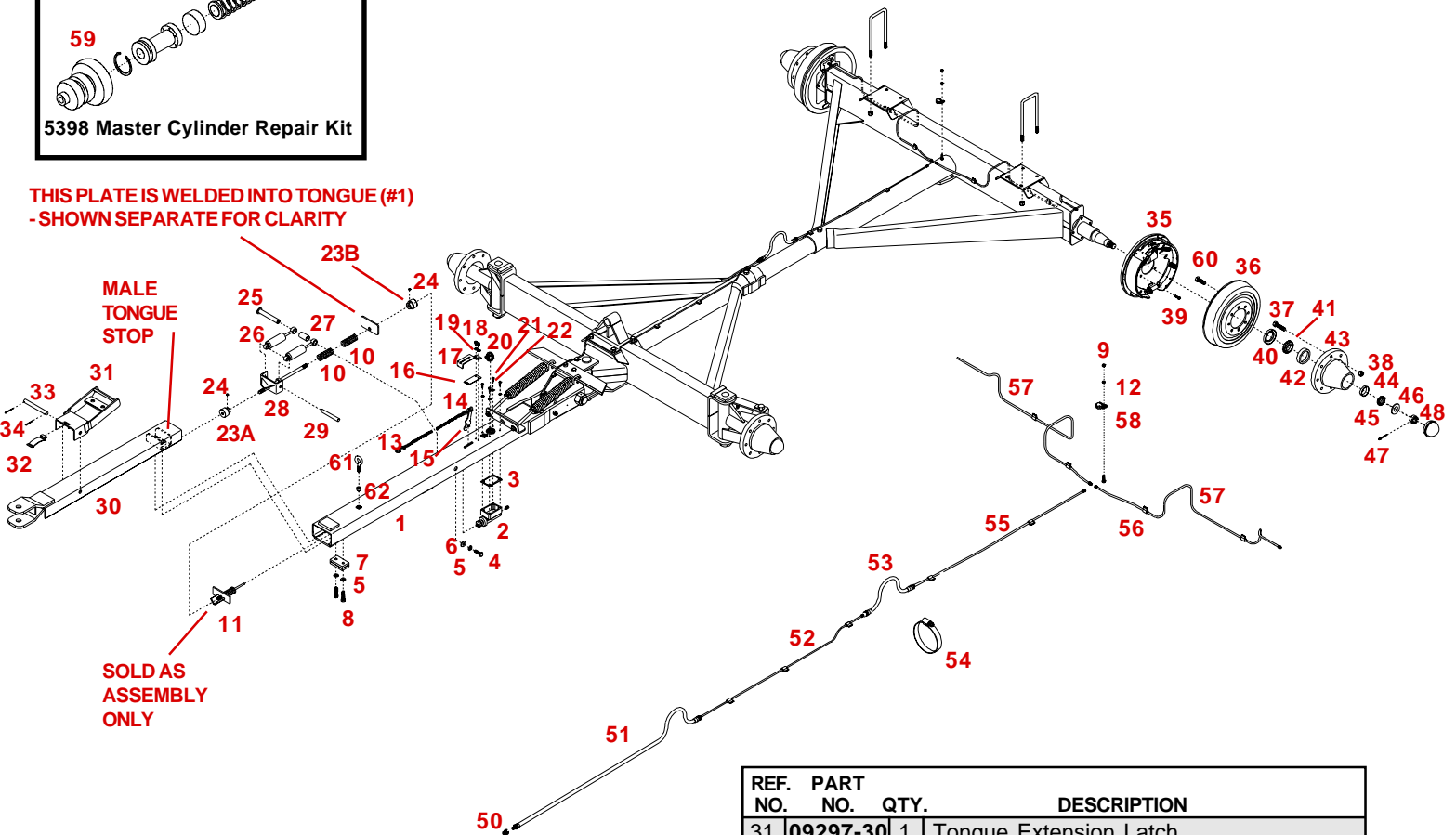


REF.	RG12 PART #	RG10 PART #	RG8 PART #	RG12L PART #	RG12HD PART #	QTY.	DESCRIPTION
1.	01132-?	02450-?	02429-?	05343-?	07956-?	1	Right Front Spindle
-	01334	02455	02435	05344	07964	-	Front Spindle ONLY (Bare)
2.	01161-?	02451-?	02430-?	05342-?	07955-?	1	Left Front Spindle
-	5149	5199	5157	5149	5502	4	Wheel Hub Assembly
3*	00116	00116	00116	00116	00116	1	5/32" x 1-1/2" Cotter Pin (not incl'd)
4.	01340	02365	00110	01340	01944	1	Oil Seal
5.	01343	02367	00111	01343	01942	1	Inner Cone Bearing
6.	01342	02366	01464	01342	01943	1	Inner Cup
7.	-	-	-	-	-	1	Hub (stud blts on hd incl'd)
8.	01344	01465	01465	01344	01938	1	Outer Cup
9.	01345	00113	00113	01345	01937	1	Outer Cone Bearing
10*	00114	00114	00114	00114	01936	1	7/8 or 1-1/16" Flatwasher (not incl'd)
11*	00115	00115	00115	00115	07353	1	Castle Nut (not incl'd)
12.	00264	00117	00117	00264	01933	1	Dust Cap
13.	01339	00120	00120	01339	09269	-	Lug Bolt (5/8" stud on HD)
14.	-	-	-	-	09240	8	5/8" Flanged Wheel Nut
-	01470-?	-	-	-	-	4	15" x 10" Eight Bolt Rim
-	01471-?	-	-	-	-	4	16" x 10" Eight Bolt Rim
-	01472-?	-	-	01472-?	-	4	20" x 8" Eight Bolt Rim
-	02449-?	-	-	02449-?	-	4	22.5" x 8.25" Eight Bolt Rim
-	-	00118-?	00118-?	-	-	4	15" x 8" Six Bolt Rim
-	-	00265-?	00265-?	-	-	4	15" x 10" Six Bolt Rim
-	-	02357-?	-	-	-	4	16" x 8" Six Bolt Rim
-	-	02358-?	-	-	-	4	16" x 10" Six Bolt Rim
-	-	-	02355-?	-	-	4	14" x 6" Six Bolt Rim
-	-	-	02356-?	-	-	4	15" x 6" Six Bolt Rim
-	-	-	-	-	09036-?	4	22.5" x 8.25" Eight Bolt Rim
-	-	-	-	-	09037-?	4	22.5" x 11.25" Eight Bolt Rim
15.	07876	07876	07876	07876	07876	2	1/8" dia. x 1-1/4" Cotter Pin
16.	01159-95	01159-95	02410-95	01159-95	01159-95	1	Hitch Lock Pin
17.	01157-30	01157-30	02411-30	01157-30	01157-30	1	Running Gear Tongue Lock Clip
18.	01158-95	01158-95	01158-95	01158-95	01158-95	1	Tongue Lock Spring
19.	01925-?	01925-?	02412-?	01925-?	01925-?	1	Sliding Tongue Extension
20.	01160-30	01160-30	02413-30	01160-30	01160-30	1	Male Tongue Stop Plate
21.	00084	00084	00084	00084	00084	2	1/2" Lockwasher
22.	01253	01253	01253	01253	01253	2	1/2"-13 UNC x 2" Bolt Gr.5
23.	01926-?	01926-?	02414-?	01926-?	01926-?	1	Adjustable Tongue
24.	04916	04916	04916	04916	04916	1	1/2"-13 UNC x 6-1/2" Bolt Gr.5
25.	01924-30	01924-30	02415-30	01924-30	01924-30	1	Tongue Pull Bolt
26.	01922	01922	-	01922	01922	1,(3)	Special 1-1/2"-12 UNC Nut
-	-	-	04090	-	-	1	1"-14 UNF Nylon Insert-Jam Nut
27.	01923	01923	01923	01923	01923	1	1/4" x 1/4" Socket Set Screw
28.	00083	00083	04090	00083	00083	12	1/2"-13 UNC Nut
29.	00545	00545	-	00545	00545	2	1/2"-13 UNC x 6" Full Thread Bolt
30.	00085	00085	-	00085	00085	2	1/2" Flatwasher
31.	00306-30	00306-30	-	00306-30	00306-30	2	Spring With Nut Insert
-	04094	04094	-	04094	04094	-	Spring Only
32.	01338	01338	-	01338	-	8	1/2"-13 UNC x 4-1/2" Hex Head Bolt
32.	-	-	01896	-	-	8	1/2"-13 UNC x 4" Hex Head Bolt
32.	-	-	-	-	01254	8	1/2"-13 UNC x 1-1/2" Hex Head Bolt
33.	01156-30	01156-30	02417-30	01156-30	-	4	Bolster Stake
34.	01127-?	01127-?	02418	01127-?	01127-?	1	Pivot Pin
35.	01118-?	02452-?	02419-?	05340-?	07953-?	1	Front Bolster Frame
36.	00907	00907	00907	-	-	2	3/8"-16 UNC x 1" Hex Head Bolt Gr.5
37.	00060	00060	00060	-	-	2	3/8" Lockwasher
38.	01133	01133	02420	-	-	2	3" O.D. Flatwasher
39.	01349	01349	-	-	-	2	2-1/8" x 14 Ga. Machine Bushing
39.	-	-	02421	-	-	2	1-3/4" x 10 Ga. Machine Bushing
40.	01335	01335	04215	01335	01335	4	3/4"-10 UNC x 3-1/2" (8 ton 5/8" x 3")
41.	01336	01336	-	01336	01336	2	5/8"-11 UNC x 5" Gr.5 Bolt
41.	-	-	02434	-	-	2	5/8"-11 UNC x 4-1/2" Gr5. Bolt
42.	01135-30	01135-30	-	01135-30	01135-30	1	4" O.D. Collar
42.	-	-	02423-30	-	-	1	3" O.D. Collar
43.	02587	02587	02587	02587	02587	2	5/8"-11 UNC Nylon Insert Locknut
44.	02961	02961	02587	02961	02961	4	3/4" (5/8" for RG8) Nylon Locknut
45.	01125-?	01125-?	02424-?	01125-?	01125-?	2	Tie Rod Clevis
46.	01337	01337	02425	01337	01337	2	1"-14 UNF Hex Nut (3/4" for 8 ton)
47.	01131-?	01131-?	02426-?	05345-?	05345-?	2	Tie Rod
48.	00967	N/A	N/A	00967	00967	2	1/2"-13 UNC x 1-1/4" Hex Hd. Bolt Gr.5
49.	01931-?	01931-?	N/A	01931-?	-	1	20" Steer Arm Stop (12.5" x 16" Tires)
-	01932-?	01932-?	N/A	01932-?	-	1	26-1/2" Steer Stop (10" x 22.5" Tires)
-	-	-	-	05347-?	05347-?	1	31" Steer Stop (13.5" x 22.5" Tires)
50.	04073	04073	04090	04073	04073	1	1/2" UNC x 3 bolt (1" UNF nut-8 ton)
51.	01117-?	01117-?	02422-?	01117-?	-	1	80" Reach Pipe
-	02506-?	02506-?	02507-?	02506-?	-	1	126" Reach Pipe
-	-	-	-	02980-?	-	1	50" Reach Pipe
52.	01927-?	01927-?	02427-?	01927-?	01927-?	1	Pivot Arm
53.	01134-?	02454-?	02428-?	05341-?	10599-?	1	Rear Bolster Frame
-	02504	02456	02436	02504	07965	-	Rear Spindle Only (Bare)
54.	-	-	-	01947-?	01947-?	2	1-1/2" x 12-1/2" Pivot Pin
55.	-	-	-	02046	02046	2	Thrust Bearing
*56.	-	02975-?	-	-	-	1	Rear Bolster Frame
*57.	-	02978-95	-	-	-	2	Wishbone Pin
*58.	-	02979-95	-	-	-	2	Spacer
*59.	-	05587	-	-	-	4	1" x 14 Ga. Machine Washer
*60.	-	02977-95	-	-	-	2	Walking Beam Pivot Pin
*61.	-	02976-?	-	-	-	2	Tandem Axle (includes 02822)
-	-	02822	-	-	-	2	2-1/4" O.D x 2" I.D x 2" Bronze Bush.
*62.	-	00116	-	-	-	2	5/32" dia. x 1-1/2" lg. Cotter Pin
63.	-	-	-	-	01567	2	1/2"-13 X 3-1/2" X 9-1/2" Sq.-U-Bolt
64.	-	-	-	-	07957-30	1	Rocking Bolster Mounting Bracket
65.	-	-	-	-	09510	2	2-1/4" x 3/8" Machine Washer
66.	00084	00084	00084	00084	00084	12	2-1/4" x 3/8" Machine Washer

# OPTIONAL SURGE BRAKES FOR 12 TON HD RUNNING GEARS



THIS PLATE IS WELDED INTO TONGUE (#1)  
-SHOWN SEPARATE FOR CLARITY



## PARTS LIST

REF. NO.	PART NO.	QTY.	DESCRIPTION
1.	09294-?	1	Adjustable Tongue-Female Half for Brakes
2.	5650	1	Master Cylinder w/ 05681 Gasket Inc'd
-	10616	-	Master Cylinder, Composite, Assembled
3.	*05681	-	Master Cylinder Gasket (Inc'd in 05680)
4.	04795	1	1/2"-13 UNC x 1" Gr.5 Bolt
5.	00084	1	1/2" Lockwasher
6.	00085	1	1/2" Flatwasher
7.	01160-30	1	Male Tongue Stop Plate
8.	01253	2	1/2"-13 UNC x 2" Gr. 5 Bolt
9.	00007	1	5/16" Nut
10.	05952	2	Spring
11.	09306	1	Push Plate Assembly
12.	00036	1	5/16" Lockwasher
13.	*09309	1	72" Safety Chain
14.	*05951	1	Emergency Lever
15.	05694	1	Groove Pin
16.	*05693-95	1	Emergency Lever Spring
17.	03866-95	1	Emergency Lever Guide
18.	05960	2	5/16" -18 UNC x 1/2" Self Tapping Screw
19.	05424	2	5/16" External Tooth Lock Washer
20.	03876	1	Mast. Cyl. Cap w/ diaphragm & O-ring
-	03877	-	Diaphragm Replacement
-	05849	-	O-ring Replacement
21.	01076	4	1/4"-20 UNC x 3/4 Gr.5 Bolt
22.	00057	4	1/4" Spring Lock Washer
23.	09337	2	Adjustment Spud (a & b)
24.	01923	2	1/4" x 1/4" Socket Set Screw
25.	09301	1	Rear Shock Pin
26.	SB12426	2	Shock Dampner
27.	09302	1	Rear Shock Pin Spacer
28.	09304	1	Push-off Assembly
29.	09303	1	Front Shock Pin
30.	09295-?	1	Adjustable Tongue-Male Half

REF. NO.	PART NO.	QTY.	DESCRIPTION
31.	09297-30	1	Tongue Extension Latch
32.	01158-95	1	Latch Spring
33.	01159-95	1	Latch Pin
34.	01929	2	1/8" dia. x 1-1/2" lg. Cotter Pin
35.	07910	1	13" Uni-servo Brake Cluster (Left)
-	07911	1	13" Uni-servo Brake Cluster (Right)
36.	03532	2	13" Brake Drum
37.	09269	32	5/8"-18 UNF x 2-1/4" Stud Bolt
38.	09240	32	5/8"-18 UNF Flanged Wheel Nut
39.	04795	8	1/2"-12 UNC x 1" Gr. 5 Bolt
40.	01944	4	Oil Seal
41.	01942	4	Inner Cone Bearing
42.	01943	4	Inner Cup
43.	-	2	Hub (drilled and tapped for brakes)
-	-	2	Hub
44.	01938	4	Outer Cup
45.	01937	4	Outer Cone Bearing
46.	01936	4	1-1/16" ID x 2-1/8" OD Flatwasher
47.	00116	1	5/16" Dia. x 1-1/2" Long Cotter Pin
48.	07353	4	Castle Nut
49.	01933	4	Dust Cap
50.	SB12098	1	Orifice Connector for Master Cyl.
51.	05979	1	#6 x 52" Rubber Line
52.	SB553	1	3/16" x 53" Steel Line
53.	02034	1	#6 x 45" Rubber Line
54.	B64H	1	3" Hose Clamp
55.	SB540	1	3/16" x 40" Steel Line
56.	02549	12	Brake Line Cushion (Rubber)
57.	SB548	2	3/16" x 48" Steel Line
58.	SB7785	1	Brake Line Tee
59.	05687	1	Master Cylinder Protective Boot
60.	05031	16	1/2"-20 UNF x 1-1/4" Gr. 5 Bolt
61.	09317	1	1/2"-13 x 2" Eye Bolt
62.	00640	1	1/2"-13 Jam Nut
-	5401	-	Lever Replacement Kit (incl. items w/*)
-	5398	-	Master Cylinder Repair Kit w/gasket

Please order replacement parts by PART NO. and DESCRIPTION.





# DEMCO BRAKE TONGUE MAINTENANCE AND ADJUSTMENT

**WARNING.** Review all of the following instructions before installation and use of the hydraulic brake tongue. Dealers or Distributors must review these instructions with the ultimate user. Failure to follow these instructions, or failure to properly maintain the braking system after installation, can result in loss of braking action which could cause severe property damage, personal injury and/or death.

## DISASSEMBLY AND REASSEMBLY

1. The brake tongue is preassembled and adjusted at the factory:

**NOTE: Do Not Disassemble or Attempt to Adjust The Tongue Push-Rod Assembly**

To disassemble the tongue: (refer to illustration on page 4)

- A. Remove 1/2" bolt (#8), Remove stop plate (#7), and pull male tongue (#30) out of female tongue (#1).
- B. Remove 1/2" bolt (#4), pin (#25), and spacer (#27)
- C. Remove set screw (#24) from adjustment spud (#23b), unthread and remove adjustment spud (#23b).
- D. Remove push-off assembly (#28), pin (#29), two shocks (#26), and two springs (#10).
- E. To remove tongue push-rod assembly (#11), master cylinder (#2), emergency lever (#14), pin (#15), spring (#16), and guide (#17), refer to section a&b of Servicing the Emergency Lever on this page.

To reassemble the tongue: (refer to illustration on page 4)

- A. Replace 2 shocks (#26) into yoke (#28), with pin (29).
- B. Place 2 springs (#10), onto shaft of push-off assembly (#28), and insert shaft into female tongue (#1), through hole in plate (shown in exploded view).
- C. Thread adjustment spud (#23b) onto rear threaded portion of push-rod assembly (#28), until the 2 springs (#10) compress to a length of 6-3/4". Install and tighten set screw (#24) into one of the threaded holes of the spud (23b).
- D. Insert pin (#25) into hole in tongue, through 1 shock (#26), through the spacer (#27), and through the other shock (#26) and tongue. Install and tighten 1/2" bolt, lockwasher, and washer (# 4,5,6).
- E. Install master cylinder (#2), (refer to c-f of "Servicing Emergency Lever" section on this page).
- F. Thread adjust spud (23a) onto front threaded portion of push-rod assembly (#28). Insert male tongue (#30), (with latch installed as shown), into female tongue (#1). Install stop plate (#7), using 1/2" bolts and lockwashers (#5, #8). Pull male tongue (#30) forward to latched position and adjust spud (#23a) until there is a 1/16" gap between spud (#23a) and rear stop surface of male tongue (#30) see arrow.
- G. Tighten set screw (#24), into hole in spud (#23a).

2. Connect and tighten all brake lines.
3. Fill the Master Cylinder (#19) with DOT 3 or 4 brake fluid.
4. Bleed the brake system using a pressure-type brake bleeder or manually, as follows:
  - a. Remove the two Self-Tapping Screws (#18) and LockWashers (#19) that hold the Lever Guide (#17) and the flat Emergency Lever Spring (#16). Remove the Lever Guide and the Emergency Lever Spring. Using short strokes, pull forward on the Emergency Lever (#14), pumping the Master Cylinder until the brake fluid within the Master Cylinder stops bubbling.
  - b. Attach a bleeder hose to the bleeder valve on one of the wheels (always begin with wheel furthest from the

master cylinder and move toward it.) Immerse the other end of the hose into a clean, transparent container partially filled with brake fluid. Loosen the bleeder valve one turn and, watching the hose in the transparent container, use the Emergency Lever to pump the Master Cylinder as long as air bubbles continue to leave the hose. When the bubbles stop, close the bleeder valve, move to the next wheel, and repeat the process until all the brakes have been bled. (Note: Check the fluid level in the Master Cylinder frequently while bleeding the brakes (every 4 or 5 strokes). Refill as necessary to keep the level above half full.)

5. Once bleeding is completed, refill the Master Cylinder and attach the Cap (#20) securely. Replace the Emergency Lever Spring, the Lever Guide, with Lock Washers and Self-Tapping Screws.
6. Test the brakes by pulling the Emergency Lever (#14) forward until it locks into its first detent position. (The lever should be approximately straight up.) Attempt to rotate the wheels in a forward direction. If any of the wheels rotate, the brakes must be adjusted on that wheel. To adjust the brakes, release the Emergency Lever from its locked position and set the wheel brake adjustment up 2 or 3 notches (refer to instructions on page 5). Repeat the test procedure as necessary.

## MAINTENANCE

1. Frequently check the brake fluid level. (Fluid must be approved, clean and uncontaminated.)
2. Inspect the brake tongue and brakes and replace bent, worn or damaged parts.
3. Be constantly aware of the system's braking quality and make periodic checks. Consult a certified brake specialist to make the necessary adjustments and/or repairs. Failure to do so could result in loss of braking.

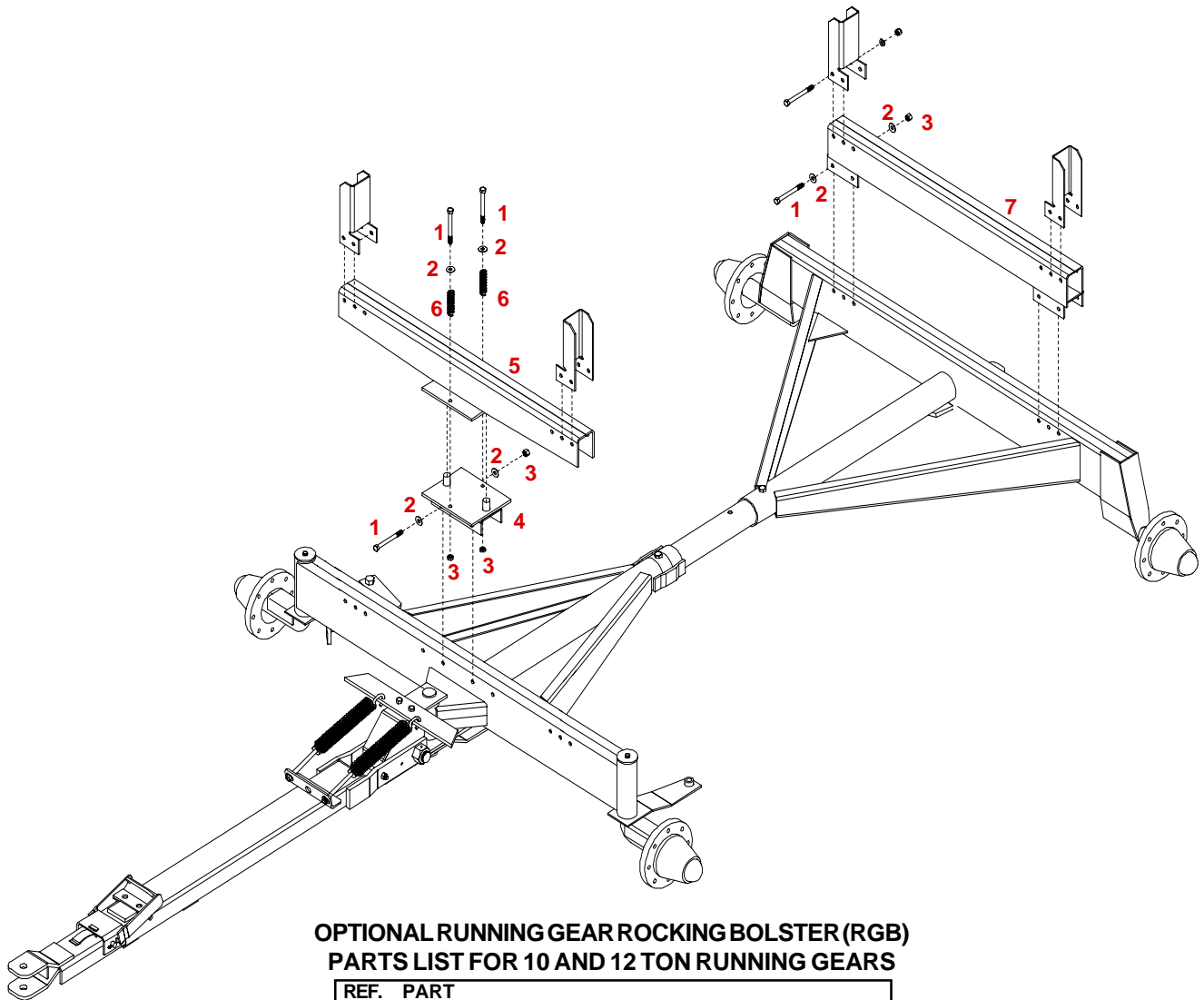
## SERVICING THE EMERGENCY LEVER

If the Emergency Lever (#14) of the tongue is applied, it can be disengaged by using a screwdriver to lift upward on the front of the flat Emergency Lever Spring (#16) while pulling the lever forward until it releases. A thorough inspection of the Emergency Lever, Emergency Lever Spring, and the Chain with S-Hooks is required and all damaged parts must be replaced as follows:

- a. Remove the Master Cylinder (#2) and the Push Plate Assembly (#11). Be careful not to get dirt into the Master Cylinder. (A new Master Cylinder Gasket (#3) should be used when reinstalling.)
- b. Remove the Safety Chain from the Emergency Lever (#14), the Emergency Lever Guide (#17), and the flat Emergency Lever Spring (#16), then pull the lever out of the tongue (#1) from the bottom.
- c. Install the new Emergency Lever from the bottom of , and up through the slot in, the tongue. Attach the new Emergency Lever Spring, and the Emergency Lever Guide.
- d. Install a new Master Cylinder Gasket to the Master Cylinder and put the Push Plate Assembly and Master Cylinder back into the inside of the tongue.
- e. Squeeze shut the S-Hook of the Emergency Chain (#13) onto the Emergency Lever (#14).
- f. Add adequate brake fluid to the Master Cylinder and bleed the brake system per instructions 4-6 in the disassembly and reassembly section.



# RUNNING GEAR ROCKING BOLSTER



## OPTIONAL RUNNING GEAR ROCKING BOLSTER (RGB) PARTS LIST FOR 10 AND 12 TON RUNNING GEARS

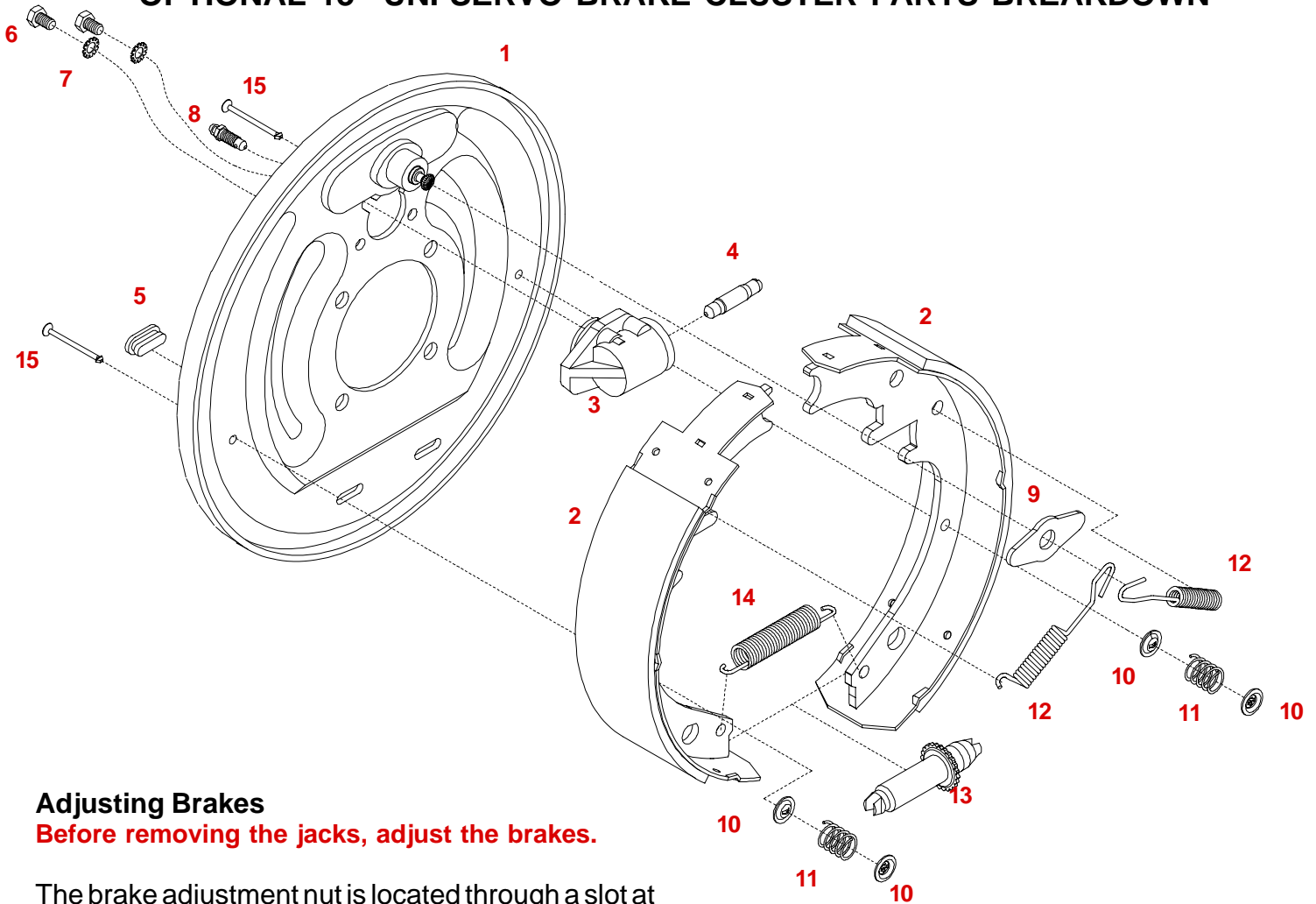
REF. NO.	PART NO.	QTY.	DESCRIPTION
1.	01338	8	1/2"-13 UNC x 4-1/2" Hex Hd. Bolt Gr.5
2.	00085	14	1/2" Flatwasher
3.	00173	8	1/2"-13 UNC Nylon Insert Locknut
4.	01309-30	1	Front Bolster Frame
5.	01310-30	1	Front Rocking Bolster
6.	01348-30	2	Compression Spring
7.	01311-30	1	Back Stationary Bolster

## OPTIONAL RUNNING GEAR ROCKING BOLSTER (RGB8) PARTS LIST FOR 8 TON RUNNING GEARS

REF. NO.	PART NO.	QTY.	DESCRIPTION
1.	01896	12	1/2"-13 UNC x 4" Hex Hd. Bolt Gr.5
2.	00085	22	1/2" Flatwasher
3.	00173	12	1/2"-13 UNC Nylon Insert Locknut
4.	02432-30	1	Front Bolster Frame
5.	02431-30	1	Front Rocking Bolster
6.	01348-30	2	Compression Spring
7.	02433-30	1	Back Stationary Bolster

Please order replacement parts by  
PART NO., DESCRIPTION, and COLOR of UNIT.

# OPTIONAL 13" UNI-SERVO BRAKE CLUSTER PARTS BREAKDOWN



## Adjusting Brakes

**Before removing the jacks, adjust the brakes.**

The brake adjustment nut is located through a slot at the bottom of the backing plate. Insert brake tool or screw driver into slotted hole with handle up and bit against the adjusting wheel, pull down on handle and rotate wheel while tightening. When you can no longer rotate wheel, back off the tightener until the wheel turns freely. If there is one spot where the wheel drags just slightly this is acceptable. As soon as the brake linings are burnished (this requires several braking stops) the brakes will then be set right.

**ALWAYS ROTATE DRUM IN DIRECTION OF FORWARD ROTATION ONLY.**

### BRAKE CLUSTER PARTS LIST

REF. NO.	PART NO.	QTY.	DESCRIPTION
-	<b>07910</b>	-	<b>Left Hand Cluster</b>
-	<b>07911</b>	-	<b>Right Hand Cluster</b> (shown above)
1.	<b>03529-80</b>	1	Back Plate Assembly
2.	<b>5509</b>	1	Brake Shoe Kit (2 Front & 2 Rear)
3.	<b>SB9776</b>	1	Wheel Cylinder Assembly - Right (shown)
-	<b>SB9777</b>	1	Wheel Cylinder Assembly - Left
4.	<b>SB9783</b>	1	Push Rod
5.	<b>SB9254</b>	2	Cover Plate - Adjusting Hole
6.	<b>05961</b>	2	5/16"-18UNC x 5/8" Hex Head Bolt Gr. 5
7.	<b>05424</b>	2	5/16" External Tooth Washer
8.	<b>05431</b>	1	Bleeder - Replacement
9.	<b>SB10961-95</b>	1	Shoe Guide
10.	<b>SB9789</b>	4	Cup - Shoe Hold Down
11.	<b>05983</b>	2	Spring - Shoe Hold Down
12.	<b>SB9786</b>	1	Spring - Shoe
13.	<b>SB23324</b>	1	Adjusting Screw Assembly
14.	<b>SB24765</b>	1	Spring - Adjusting Screw
15.	<b>SB9788</b>	2	#6 Hold Down Pin
-	<b>SB15845</b>	1	<b>Wheel Cylinder Repair Kit</b> (includes spring, cup and boot)

Please order replacement parts by **PART NO.** and **DESCRIPTION.**





***Demco***

**DETHMERS MFG. COMPANY**

**P.O. BOX 189**

**4010 320th St., BOYDEN, IA. 51234**

**PH: (712) 725-2311 or (712) 725-2302**

**FAX: (712) 725-2380**

**TOLLFREE: 1-800-54DEMCO (1-800-543-3626)**

**<http://www.demco-products.com>**