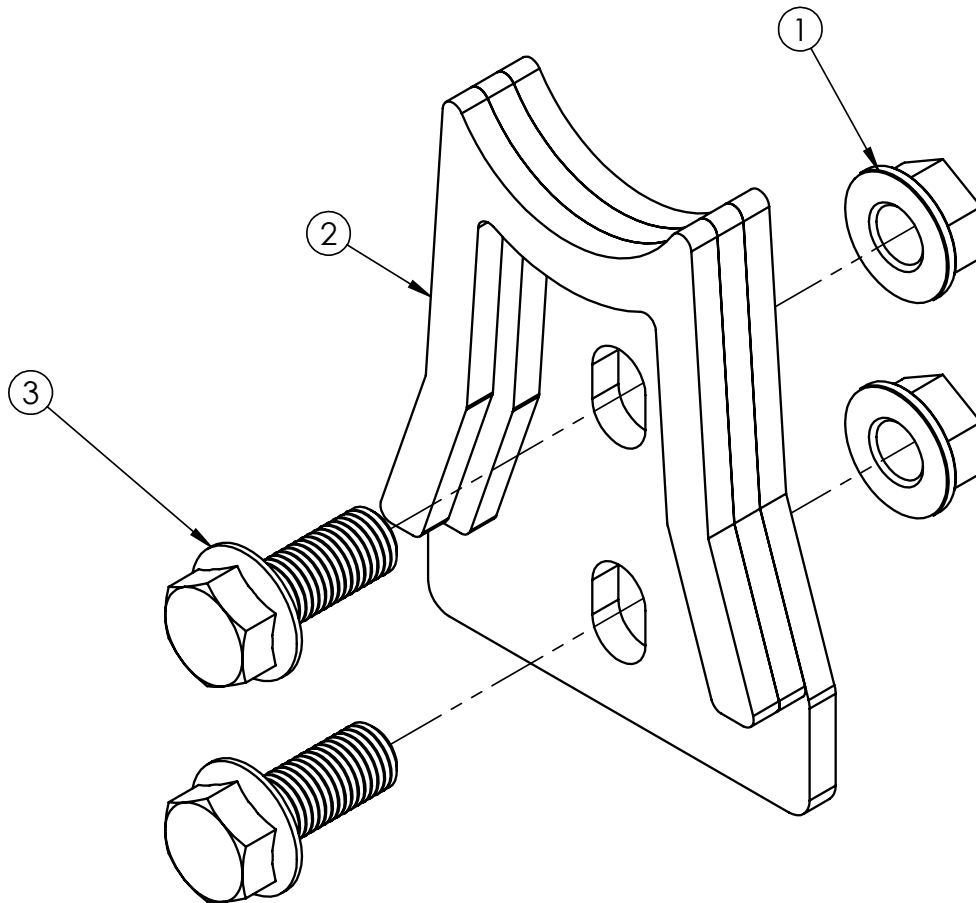


Doing Our Best to Provide You the Best

5TH WHEEL LOCKING PLATE 6285 - Locking Plate



ITEM	PART #	QTY	DESCRIPTION
1	14340	2	NUT .625 NC SERRATED FLG. HEX
2	16390-76	1	LOCKING PLATE
3	16690	2	BOLT, .625NC X 1.50 GR. 5 SERR FLG HEX HD

Please order replacement parts by PART NO. and DESCRIPTION

INTRODUCTION

WARRANTY POLICY, OPERATOR MANUALS, PARTS MANUALS & REGISTRATION

Go online to www.demco-products.com to review Demco warranty policies, operator manuals and register your Demco product.



SERIOUS DAMAGE MAY OCCUR TO HITCH OR PINBOX IF WEDGE IS USED INCORRECTLY.

WHEN WEDGE IS USED WITH A STATIONARY HITCH, THE ROTATING PINBOX MUST BE IN THE UNLOCKED, OR ROTATING POSITION.

WHEN WEDGE IS USED IN AN AUTOMATIC SLIDING HITCH, THE PINBOX MUST BE IN THE LOCKED, OR FIXED POSITION.

ALWAYS KEEP IN MIND, ONE OF THE COMPONENTS MUST BE ABLE TO ROTATE.

TORQUE SPECIFICATION

Torque figures indicated are valid for non-greased or non-oiled threads and heads unless otherwise specified. Therefore, do not grease or oil bolts or capscrews unless otherwise specified in this manual. When using locking elements, increase torque values by 5%.

* GRADE or CLASS value for bolts and capscrews are identified by their head markings.

BOLT TORQUE DATA FOR STANDARD NUTS, BOLTS, AND CAPSCREWS.

Tighten all bolts to torques specified in chart unless otherwise noted. Check tightness of bolts periodically, using bolt chart as guide. Replace hardware with same grade bolt.

NOTE: Unless otherwise specified, high-strength Grade 5 hex bolts are used throughout assembly of equipment.

Bolt Torque for Standard bolts *

"A"	GRADE 2		GRADE 5		GRADE 8	
	lb-ft	(N.m)	lb-ft	(N.m)	lb-ft	(N.m)
1/4"	6	(8)	9	(12)	12	(16)
5/16"	10	(13)	18	(25)	25	(35)
3/8"	20	(27)	30	(40)	45	(60)
7/16"	30	(40)	50	(70)	80	(110)
1/2"	45	(60)	75	(100)	115	(155)
9/16"	70	(95)	115	(155)	165	(220)
5/8"	95	(130)	150	(200)	225	(300)
3/4"	165	(225)	290	(390)	400	(540)
7/8"	170	(230)	420	(570)	650	(880)
1"	225	(300)	630	(850)	970	(1310)

Bolt Torque for Metric bolts *

"A"	CLASS 8.8		CLASS 9.8		CLASS 10.9	
	lb-ft	(N.m)	lb-ft	(N.m)	lb-ft	(N.m)
6	9	(13)	10	(14)	13	(17)
7	15	(21)	18	(24)	21	(29)
8	23	(31)	25	(34)	31	(42)
10	45	(61)	50	(68)	61	(83)
12	78	(106)	88	(118)	106	(144)
14	125	(169)	140	(189)	170	(230)
16	194	(263)	216	(293)	263	(357)
18	268	(363)	--	--	364	(493)
20	378	(513)	--	--	515	(689)
22	516	(699)	--	--	702	(952)
24	654	(886)	--	--	890	(1206)

INSTRUCTIONS FOR INSTALLING LOCKING PLATE ONTO A 5TH AIRBORNE PIN BOX.



1. Line up the locking plate with the king pin. Square up the back of the locking plate as shown.



3. Drill the marked holes with a 5/8" drill bit.

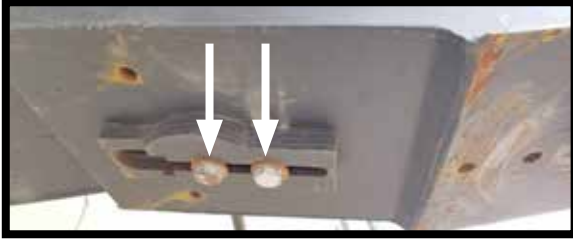


2. Make sure the locking plate does not move. Mark the holes that need to be drilled with a center punch.



4. Place the 5/8" Grade 5 bolts and 5/8" nuts onto the locking plate as shown. Torque the bolts per the **BOLT TORQUE SPECIFICATION CHARTS** located on page 2.

INSTRUCTIONS FOR INSTALLING LOCKING PLATE ONTO A TURNING POINT PIN BOX.



1. Remove the two 5/8" Grade 8 bolts from the wedge that Lippert provides.



2. Using those bolts. Install the Demco Locking Plate into the two threaded holes that are directly behind the Turning Point king pin.



3. Loosely install the two 5/8" bolts through the locking plate and into the threaded holes on the pin box, as shown by the picture above. The plate should be against the pin box, but should be able to slide.
4. Hook the pin box up to the hitch to square the locking plate up to the hitches head.



5. Slide the locking plate up tight towards the king pin by tapping it forward. With maintaining forward pressure, tighten the rear bolt.
6. Remove the hitch from the king pin and tighten the bolts. Torque the two 5/8" Grade 8 bolts per the **BOLT TORQUE SPECIFICATION CHARTS** located on page 2.



7. The two 5/8" serr. head Grade 5 bolts that come in the kit may be used to fasten Lipperts wedge back to the storage location on the pin box. The two serr. nuts that come in the kit will not be used.

DEMCO

4010 320th St., Boyden, IA. 51234

Phone: (712) 725-2311

Fax: (712) 725-2380

Toll Free: 1-800-54DEMCO (1-800-543-3626)

Demco warranty policies, operator manuals, and product registration
can be found online:

www.demco-products.com

