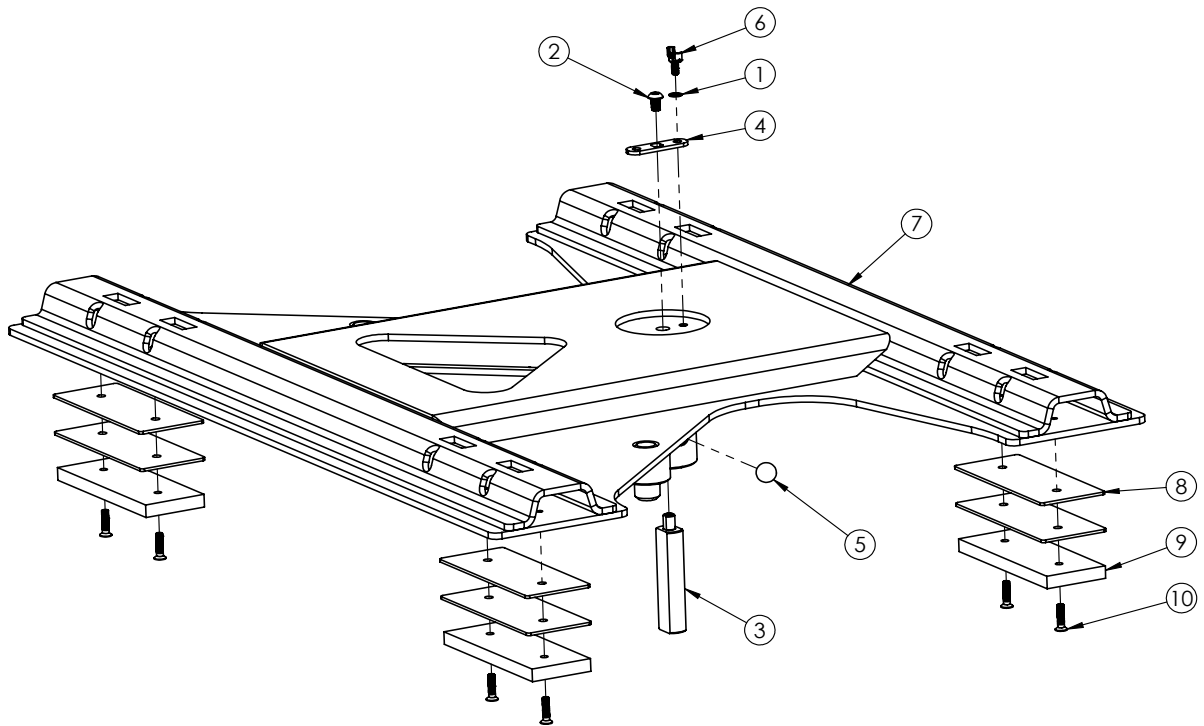


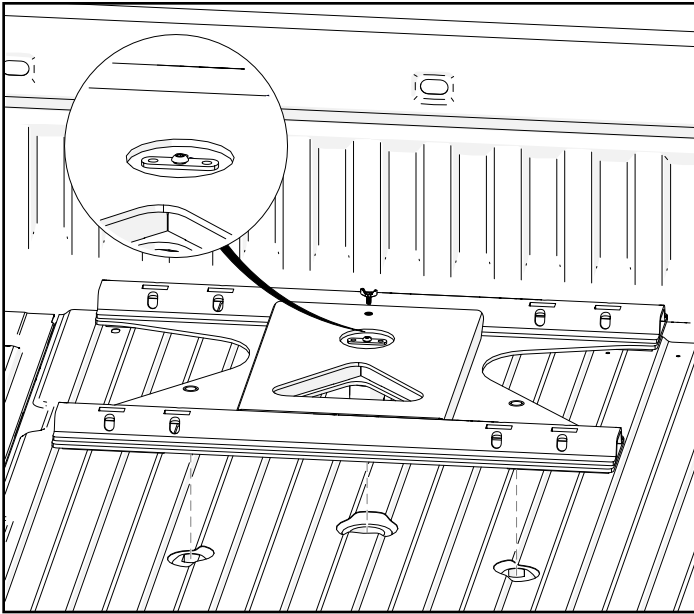
UL RAIL ADAPTER

Nissan Titan

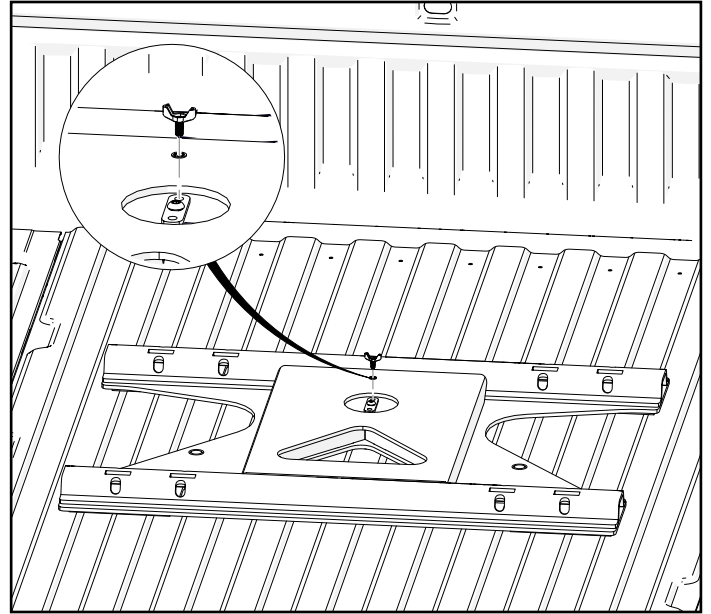


ITEM	PART #	QTY	DESCRIPTION
1	05695	1	WASHER INTERNAL TOOTH LOCK .25
2	13561	1	SCREW, BUTTON SOCKET HD, .313NC X .5 SS
3	15898-95	1	LOCKING TURN ROD
4	15899-95	1	LOCKING TURN PLATE
5	15900	2	STEEL BALL .75
6	15901	1	SCREW .25NC X .50 WING HD THUMB
7	15926-76	1	NISSAN PREP UL FRAME
8	16221-76	8	SPACER
9	16222	4	WEAR PAD
10	16233	8	SCREW, .25NC X 1.00 FLAT HD PHIL

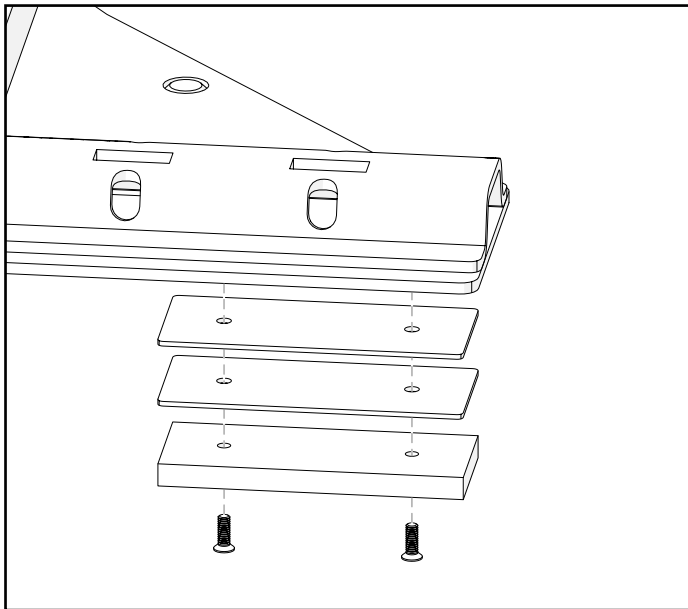
Please order replacement parts by PART NO. and DESCRIPTION



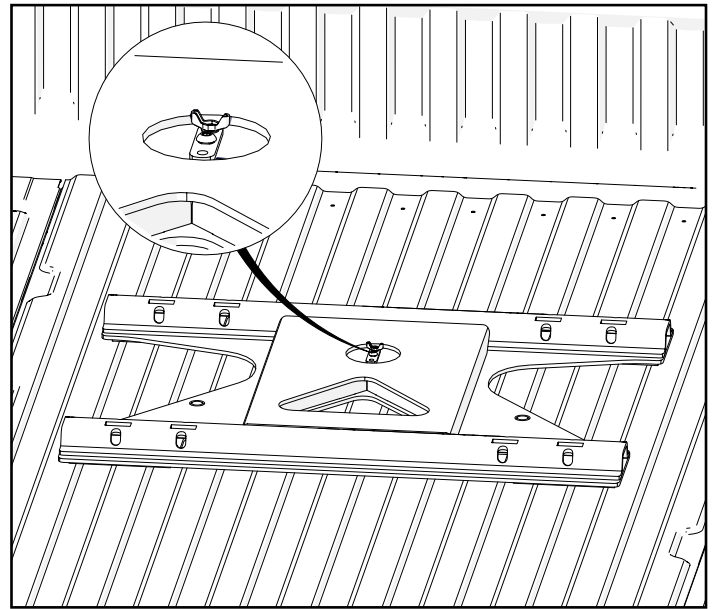
1. To install the adapter, remove the bed puck covers if installed. Turn locking turn plate so it is facing side to side as shown.



2. Lower frame adaptor into the factory pucks. Make sure the frame is fully placed into the pucks. Turn locking turn plate 1/4 turn so it is facing front to back and the locking holes line up.



3. If locking plate will not turn, that means the hitch can't go down far enough to lock. Remove the two screws from the four pads and remove one or two spacers between the plastic foot pads and reinstall frame until turn plate can turn into the locked position.



4. Install and tighten 1/4" internal tooth lock washer and 1/4" thumb bolt to secure locking turn plate into place. Lift up on frame to make sure it is securely fastened. Reverse steps to remove.

DEMCO

4010 320th St., Boyden, IA. 51234

Phone: (712) 725-2311

Fax: (712) 725-2380

Toll Free: 1-800-54DEMCO (1-800-543-3626)

**Demco warranty policies, operator manuals, and product registration
can be found online:**

www.demco-products.com

