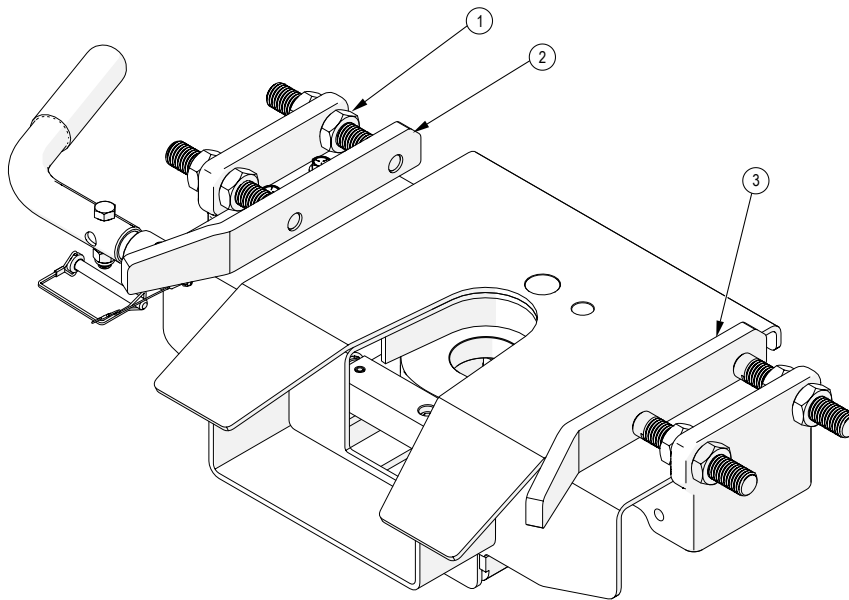
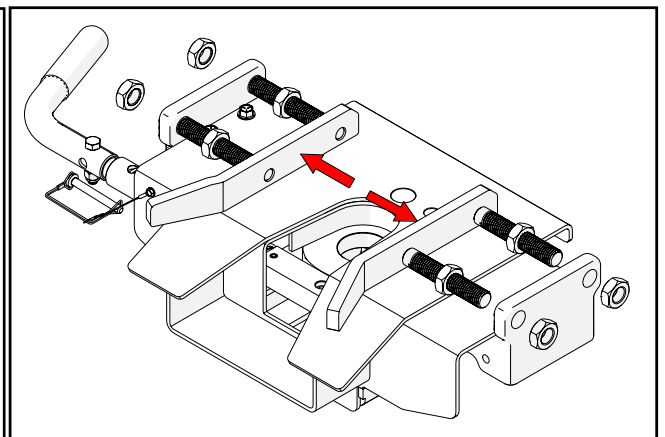
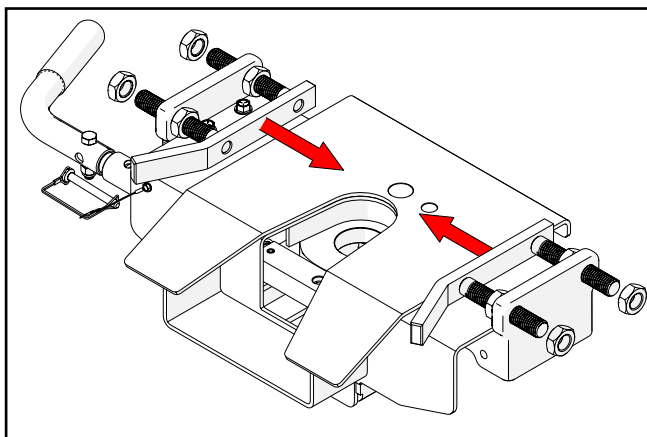


5TH WHEEL CAPTURE PLATES

#6171 Trailair Rota-Flex



ITEM #	PART #	DESCRIPTION	Qty
1	03701	NUT, .75 JAM	8
2	15821-91	CAPTURE PLATE ASSEMBLY, LEFT	1
3	15822-91	CAPTURE PLATE ASSEMBLY, RIGHT	1



1. Slide existing capture plates toward the center to remove from mount. You may need to tap the capture plates out with a hammer/mallet.
2. Slide the new Rota-Flex capture plates in mounts. You may need to use a hammer/mallet to tap the capture plates into place.

DEMCO

4010 320th St., Boyden, IA. 51234

Phone: (712) 725-2311

Fax: (712) 725-2380

Toll Free: 1-800-54DEMCO (1-800-543-3626)

**Demco warranty policies, operator manuals, and product registration
can be found online:**

www.demco-products.com

