

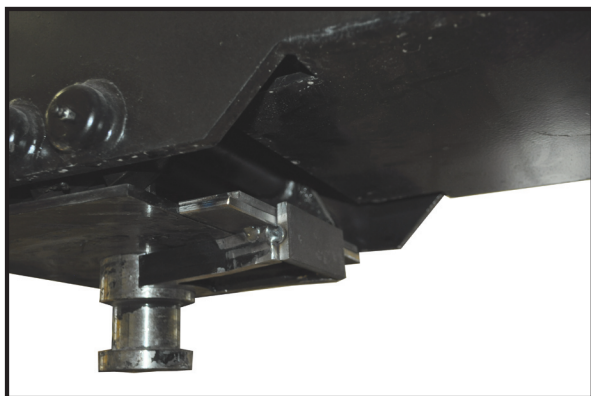
Demco Hijacker

12/15
HJ26095, Rev 2

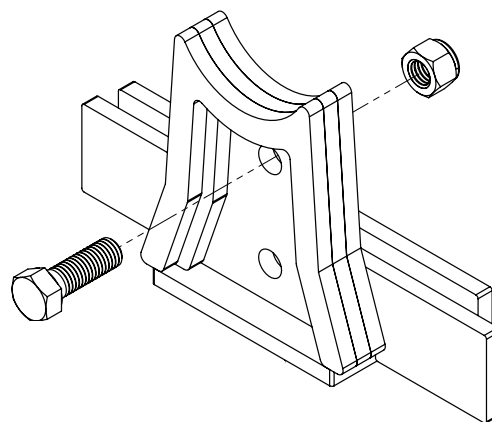


5th Wheel Locking Plate

6095 Trailair Tri-Glide Kit



1. Slide locking plate on back lip of Tri-Glide base. Center locking plate behind the king pin by pushing plate against base shoe. Clamp in place.



2. Using locking plate as a template, transfer/center punch hole location.



3. Drill a 1/2" hole into Tri-Glide base.
4. Fasten locking plate to Tri-Glide base using the 1/2" X 1-1/2" bolt and nylon lock nut. Torque to 85 ft-lbs.
5. Locking plates on hitch head are not needed when using this kit. They can be extended all the way out or removed.

READ complete manual CAREFULLY
BEFORE attempting operation.