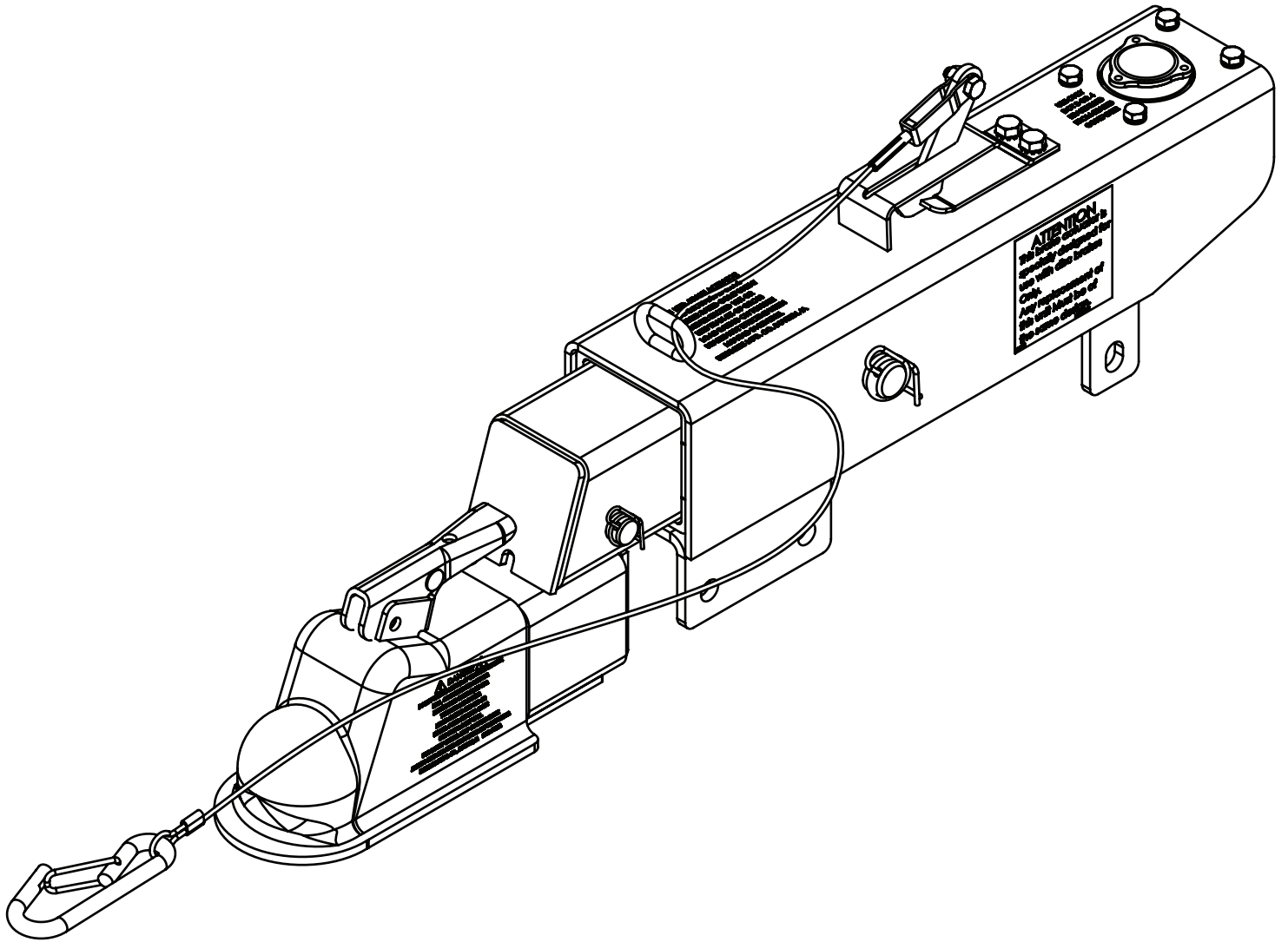




Doing Our Best to Provide You the Best

BH20042, Rev 8
11/22

BRAKE ACTUATOR



OPERATOR MANUAL

Demco actuators heavy duty surge brake actuators for trailers with two or four wheels. When brakes are applied on the towing vehicle, forward inertia of trailer toward towing vehicle applies brakes on trailer in direct relation to manner brakes are applied on towing vehicle. Brake pressure applied on tow vehicle will cause equal response on trailer brakes. Master cylinder push rod spring assembly protects system from hydraulic pressure overload.



WARNING: To Prevent Serious Injury or Death

- Review following instructions before installation and use of hydraulic brake actuator.
- Dealers or distributors must review these instructions with ultimate user.
- Failure to follow these instructions, or failure to properly maintain braking system after installation, can result in loss of braking action.

WARRANTY POLICY, OPERATOR MANUALS & REGISTRATION

Go online to www.demco-products.com to review Demco warranty policies, operator manuals and register your Demco product.

Table of Contents

General information.....	2
Warranty Policy & Registration.....	2
Safety, Signal Words, Equipment Safety Guidelines, and Safety Sign Locations & Care ...	3
Before Operation, During Operation, and Following Operation.....	4
Highway and Transport Operations, Performing Maintenance, and Rue Ring Installation ..	5
Bolt Torque and Welding	6
DA20 Actuator Parts Breakdown and Parts List.....	7
DA16 Actuator Parts Breakdown and Parts List.....	8
DA10 Actuator Parts Breakdown and Parts List.....	9
DA91 Actuator Parts Breakdown and Parts List.....	10
DA86 Actuator Parts Breakdown and Parts List.....	11
DA66 Actuator Kits and Options.....	12
eZ-Latch Coupler Operations.....	13
Actuator Installation and Maintenance	14
Actuator Trouble Shooting Guide	15

SAFETY

TAKE NOTE! THIS SAFETY ALERT SYMBOL FOUND THROUGHOUT THIS MANUAL IS USED TO CALL YOUR ATTENTION TO INSTRUCTIONS INVOLVING YOUR PERSONAL SAFETY AND SAFETY OF OTHERS. FAILURE TO FOLLOW THESE INSTRUCTIONS CAN RESULT IN INJURY OR DEATH.



**THIS SYMBOL MEANS ATTENTION
BECOME ALERT YOUR SAFETY IS INVOLVED!**

SIGNAL WORDS

Note use following signal words **DANGER**, **WARNING**, and **CAUTION** with safety messages. Appropriate signal word for each has been selected using following guidelines:

DANGER:

Indicates an imminently hazardous situation that, if not avoided, will result in serious injury or death. This signal word is to be limited to most extreme situations typically for machine components which, for functional purposes, cannot be guarded.

If you have questions not answered in this manual, require additional copies, or if your manual is damaged, please contact your dealer or Demco, 4010 320th Street, Boyden, IA 51234 ph: (712) 725-2311 Toll Free: 1-800-543-3626

Fax: (712) 725-2380 <http://www.demco-products.com>

WARNING:

Indicates a potentially hazardous situation that, if not avoided, could result in serious injury or death, and includes hazards that are exposed when guards are removed. It may also be used to alert against unsafe practices.

CAUTION:

Indicates a potentially hazardous situation that, if not avoided, may result in minor or moderate injury. It may also be used to alert against unsafe practices.



EQUIPMENT SAFETY GUIDELINES

Every year many accidents occur which could have been avoided by a few seconds of thought and a more careful approach to handling equipment. You the operator, can avoid many accidents by observing and following precautions in this section. To avoid personal injury, study the following precautions and insist those working with you, or you yourself, follow them.

In order to provide a better view, certain illustrations in this manual may show an assembly with a safety shield removed. However, equipment should never be operated in this condition. Keep all shields in place. If shield removal becomes necessary for repairs, replace shield prior to use.

Replace any caution, warning, danger or instruction safety decal that is not readable or is missing. Location of such decals is indicated in this booklet.

Do not attempt to operate this equipment under the influence of alcohol or drugs.

Review safety instructions with all users.

Operator should be a responsible adult. **DO NOT ALLOW PERSONS TO OPERATE OR ASSEMBLE THIS UNIT UNTIL THEY HAVE DEVELOPED A THOROUGH UNDERSTANDING OF SAFETY PRECAUTIONS AND HOW IT WORKS.**

Do not paint over, remove, or deface any safety signs or warning decals on your equipment. Observe all safety signs and practice instructions on them.

Never exceed limits of a piece of machinery. If its ability to do a job, or to do so safely is in question-**DON'T TRY IT.**



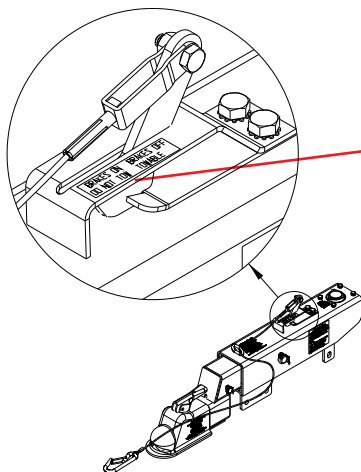
REMEMBER

Your best assurance against accidents is a careful and responsible operator. If there is any portion of this manual or function you do not understand, contact your local authorized dealer or manufacturer.



SAFETY SIGN LOCATIONS

Types of safety sign and locations on equipment are shown in illustration below. Good safety requires that you familiarize yourself with various safety signs, type of warning, and area or particular function related to that area, that requires your SAFETY AWARENESS.



Part # BH21003



SAFETY SIGN CARE

- Keep safety signs clean and legible at all times.
- Replace safety signs that are missing or have become illegible.
- Replacement parts that displayed a safety sign should also display safety sign.
- Safety signs are available from your distributor, dealer parts department, or factory.

How to install safety signs:

- Be sure that installation area is clean and dry.
- Decide on exact position before you remove backing paper.
- Remove smallest portion of split backing paper.
- Align decal over specified area and carefully press small portion with exposed sticky backing in place.
- Slowly peel back remaining paper and carefully smooth remaining portion of decal into place.
- Small air pockets can be pierced with a pin and smoothed out using piece of decal backing paper.

Before Operation:



- Carefully study and understand this manual.
- Always wear protective clothing and substantial shoes.
- Give equipment a visual inspection for any loose bolts, worn parts, or cracked welds, and make necessary repairs. Follow maintenance safety instructions included in this manual.
- Be sure there are no tools lying on or in equipment.
- Do not use equipment until you are sure that area is clear, especially around children and animals.
- Don't hurry learning process or take equipment for granted. Ease into it and become familiar with your new equipment.
- Practice operation of your equipment and its attachments. Completely familiarize yourself and other operators with its operation before using.
- Make sure that brakes are evenly adjusted.
- Make sure tow rating on vehicle is high enough for what it is towing.
- Do not allow anyone to stand between tongue or hitch and towing vehicle when backing up to equipment.
- Securely attach to towing vehicle. Use appropriately sized hitch ball and/or hitch pin with a mechanical retainer and attach safety chains.
- Criss cross chains under tongue and secure to draw bar cage, mounting loops, or bumper frame.



DURING OPERATION

- **SAFETY CHAINS OR CABLES** If equipment is going to be transported on a public highway, safety chains or cables should be obtained and installed. Always follow state and local regulations regarding safety chains or cables and auxiliary lighting when towing equipment on a public highway. Be sure to check with local law enforcement agencies for your own particular regulations. Only safety chains or cables (not an elastic or nylon/plastic tow straps) should be used to retain connection between towing and towed equipment in event of separation of primary attaching system.
- Install safety chains by criss crossing chains under tongue and secure to draw bar cage, mounting loops, or bumper frame.
- **When attaching the emergency cable Allow adequate slack to keep from activating brakes due to interference from parts of the coupler or other attachments on the towing vehicle. Each vehicle tongue configuration is different and therefore each should be handled individually to keep the routing free from entanglements and securely attached to perform as designed in case of emergency disconnection from the towing vehicle.**
- Beware of bystanders, **PARTICULARLY CHILDREN!** Always look around to make sure it is safe to start engine of towing vehicle or move equipment. This is particularly important with higher noise levels, as you may not hear people shouting.
- **NO PASSENGERS ALLOWED-** Do not carry passengers anywhere on or in equipment.
- Do not clean, lubricate, or adjust your equipment while it is moving.
- When halting operation, even periodically, set towing vehicles parking brake, shut off engine, and **remove the ignition key.**
- Be extra careful when using on inclines.
- **MANEUVER TOWING UNIT AT SAFE SPEEDS.**
- Avoid loose gravel, rocks, and holes, they can be dangerous for equipment operation or movement.
- Allow for overall length when making turns.
- Keep all bystanders and pets clear of work area.
- Operate towing vehicle from operators seat only.
- Never leave running equipment attachments unattended.
- As a precaution, always recheck hardware on equipment following every 100 hours or 50 miles. Correct all problems. Follow maintenance safety procedures.



FOLLOWING OPERATION

- Following operation, or when unhitching, stop towing vehicle, set brakes, shut off the engine and **remove ignition key.**
- Store unit in an area away from human activity.
- Do not permit children to play on or around stored unit.
- Make sure all parked units are on a hard, level surface and engage all safety devices.
- Wheel chocks may be needed to prevent unit from rolling.

All Demco actuators and brake assemblies are compatible with DOT 3, 4, & 5.1 brake fluid. DOT 5 can be used on new systems but can never be mixed with any other brake fluid.



- Adopt safe driving practices:
 - Always drive at a safe speed relative to local conditions and ensure that your speed is low enough for an emergency stop.
 - Reduce speed prior to turns to avoid risk of overturning.
 - Always keep towing vehicle in gear to provide engine braking when going downhill. Do not coast.
 - Do not drink and drive!
- Comply with state and local laws governing highway safety on public roads.
- Use approved accessory lighting, flags and necessary warning devices to protect operators of other vehicles on highway during transport. Various safety lights and devices are available from your dealer.
- Local laws should be checked for all highway lighting and marking requirements.
- Plan your route to avoid heavy traffic.
- Be a safe and courteous driver. Always yield to oncoming traffic in all situations, including narrow bridges, intersections, etc.
- Be observant of bridge loading ratings. Do not cross bridges rated lower than the gross weight at which you are operating.
- Watch for obstructions overhead and side to side while transporting.
- Always operate equipment in a position to provide maximum visibility at all times. Make allowances for increased length and weight of equipment when making turns and/or stopping.

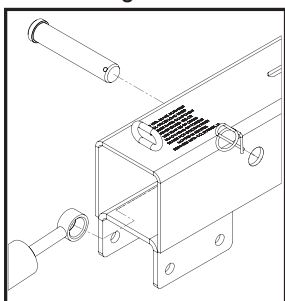


PERFORMING MAINTENANCE

- Good maintenance is your responsibility. Poor maintenance is an invitation to trouble.
- Make sure there is plenty of ventilation. Never operate engine of towing vehicle in a closed building. Exhaust fumes may cause asphyxiation.
- Before working on this unit, stop towing vehicle, set parking brakes, shut off engine and **remove ignition key.**
- Be certain all moving parts and attachments have come to a complete stop before attempting to perform maintenance.
- Always use safety supports and block wheels. Never use a jack to support unit.
- Always use proper tools or equipment for job at hand.
- Use extreme caution when making adjustments.
- Follow torque chart in this manual when tightening bolts and nuts.
- Openings in skin and minor cuts are susceptible to infection from brake fluid.
Without immediate medical treatment, serious infection and reactions can occur.
- Replace **all shields and guards** after servicing and before moving.
- After servicing, be sure all tools, parts and service equipment are removed.
- Do not allow grease or oil to build up on the actuator.
- When replacing bolts, refer to owners manual.
- Refer to bolt torque chart for head identification marking.
- Where replacement parts are necessary for periodic maintenance and servicing, genuine factory replacement parts must be used to restore your equipment to original specifications. Manufacturer will not claim responsibility for use of unapproved parts or accessories and other damages as a result of their use.
- If equipment has been altered in any way from original design, manufacturer does not accept any liability for injury or warranty.
- A fire extinguisher and first aid kit should be kept readily accessible while performing maintenance on this equipment.

Rue Ring Installation

Figure A

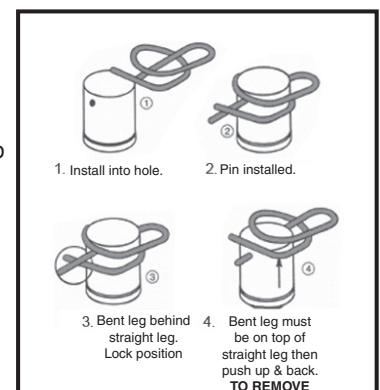


To install Rue Ring, place straight wire of Rue Ring through hole in pin as shown in illustrations (Figure B 1- 2)

Next, using a pliers, twist end of Rue Ring so the straight wire crosses over top of the bent wire. (Figure B 3)

Figure B illustration 4 shows removal of Rue Ring. Uncross wires, then while lifting the bent wire, pull on loop end of the Rue Ring to remove from pin.

Figure B



* Required for safe operation.

Torque Specifications



Tighten all bolts to torques specified in chart unless otherwise noted. Check tightness of bolts periodically, using bolt chart as guide. Replace hardware with same grade bolt.

NOTE: Unless otherwise specified, high-strength Grade 5 hex bolts are used throughout assembly of equipment.

Torque figures indicated are valid for non-greased or non-oiled threads and heads unless otherwise specified. Therefore, do not grease or oil bolts or capscrews unless otherwise specified in this manual. When using locking elements, increase torque values by 5%.

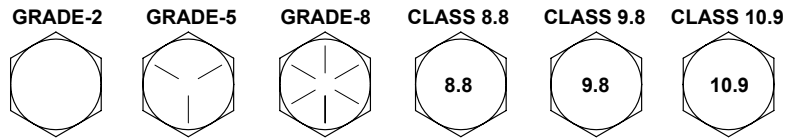
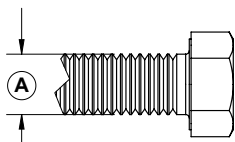
* GRADE or CLASS value for bolts and capscrews are identified by their head markings.

Bolt Torque for Standard bolts *

"A"	GRADE 2		GRADE 5		GRADE 8	
	lb-ft	(N.m)	lb-ft	(N.m)	lb-ft	(N.m)
1/4"	6	(8)	9	(12)	12	(16)
5/16"	10	(13)	18	(25)	25	(35)
3/8"	20	(27)	30	(40)	45	(60)
7/16"	30	(40)	50	(70)	80	(110)
1/2"	45	(60)	75	(100)	115	(155)
9/16"	70	(95)	115	(155)	165	(220)
5/8"	95	(130)	150	(200)	225	(300)
3/4"	165	(225)	290	(390)	400	(540)
7/8"	170	(230)	420	(570)	650	(880)
1"	225	(300)	630	(850)	970	(1310)

Bolt Torque for Metric bolts *

"A"	CLASS 8.8		CLASS 9.8		CLASS 10.9	
	lb-ft	(N.m)	lb-ft	(N.m)	lb-ft	(N.m)
6	9	(13)	10	(14)	13	(17)
7	15	(21)	18	(24)	21	(29)
8	23	(31)	25	(34)	31	(42)
10	45	(61)	50	(68)	61	(83)
12	78	(106)	88	(118)	106	(144)
14	125	(169)	140	(189)	170	(230)
16	194	(263)	216	(293)	263	(357)
18	268	(363)	--	--	364	(493)
20	378	(513)	--	--	515	(689)
22	516	(699)	--	--	702	(952)
24	654	(886)	--	--	890	(1206)



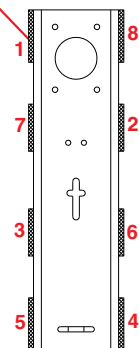
WARNING: TO AVOID PERSONAL INJURY OR PROPERTY DAMAGE, OBSERVE THE FOLLOWING INSTRUCTIONS:

The weight rating of the coupler is dependent on the correct bolts being used. You must use the exact size, grade and number of bolts as specified in your manual. Mounting hardware can be obtained from a supplier or Demco.

WELDING

NOTE: disassembly of the actuator before welding is recommended

Tack Actuator down on the four corners then weld in a criss cross pattern using 2" to 2-1/2" welds with 2" spaces between welds (when welding down to a flat area of the tongue)

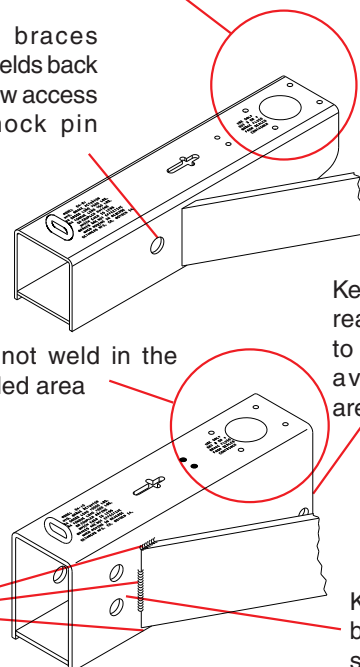


Weld as shown

Do not weld in the circled area

Keep braces and welds back to allow access to shock pin hole

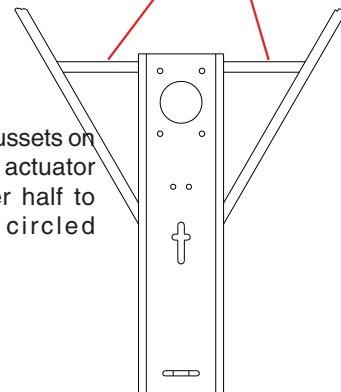
Do not weld in the circled area



Keep gussets on rear of actuator to lower half to avoid circled area

Keep braces and welds back to allow access to shock pin holes

Use gussets to support the back of the actuator if welding in position shown



DA20 Actuator Parts Breakdown

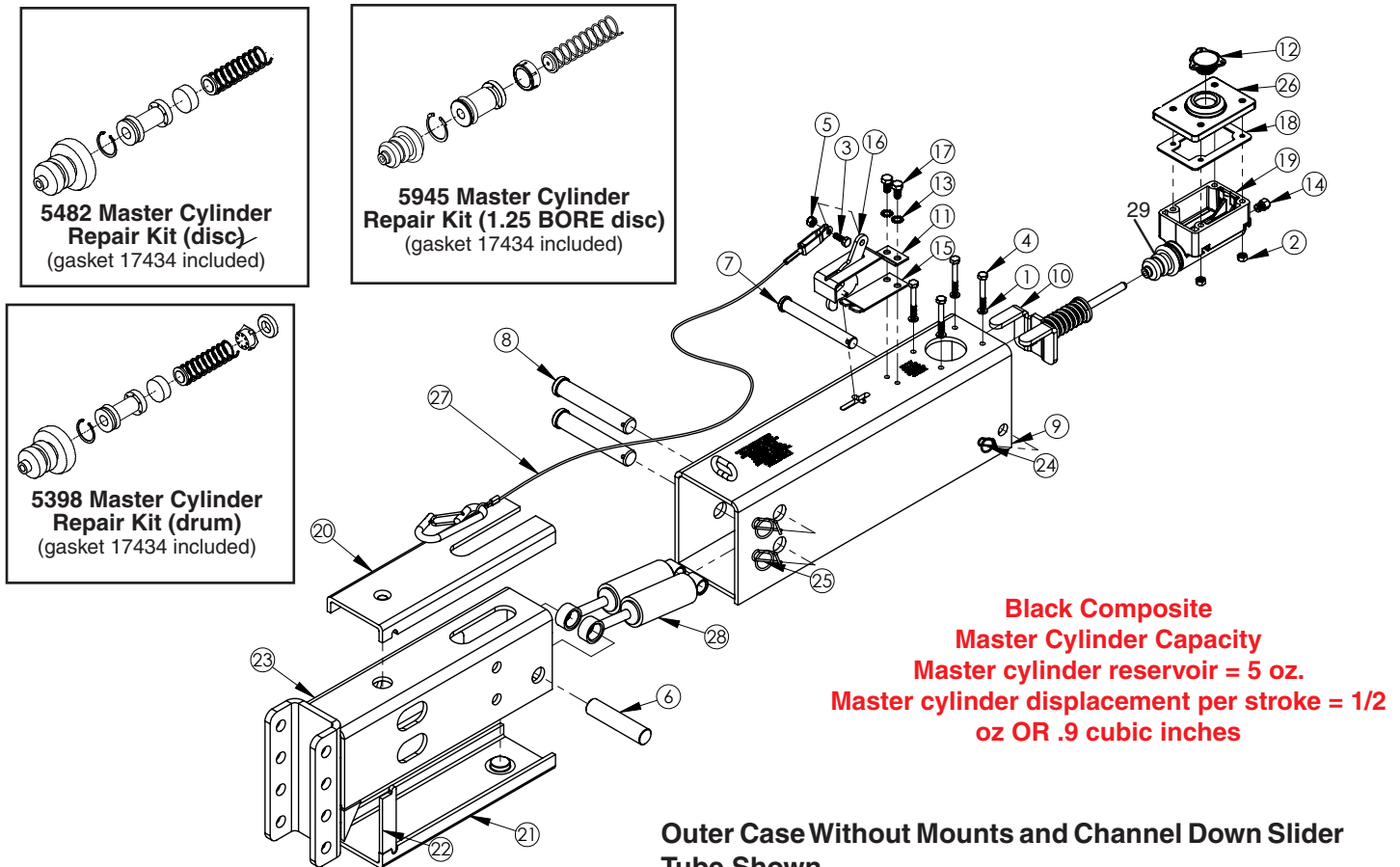
Item	Part NO.	DESCRIPTION	Qty
1	00057	Washer, .25 Spring Lock	4
2	00062	Nut .25nc Hex	4
4	00618	Bolt, .25 NC X 2.00 Hex Head Gr.5	4
6	03409-95	Pin, Front Stock	1
7	03410-95	Cold Headed Clevis Pin, .625	1
8	03411-95	Cold Headed Clevis Pin, .875	2
9	03412-??	DA20 Outer Case see page 12 for others	1
10	03534	Push rod Assy-DA20	1
	11724	1.25" Bore Push rod Assy	-
11	03866-95**	Emergency Lever Guide	1
12	03876	Master Cylinder Cap Assembly	1
	05849	O-Ring (Replacement)	
13	05424	Washer, .313 External Tooth Lock	2
14	05679	Brake Fitting .125 Full Flow	1
15	05693-95**	Spring, Safety Lever	1
16	05951**	Emergency Lever	1
17	05961	Bolt, .313 NC X .625 Hex Head Gr5	2
18	17434	Rubber Gasket f/Master Cylinder	1
19	5650	Composite Master Cylinder Drum Kit	1
	5672	Composite Master Cylinder Kit Disc	
	5783	1.25" Bore Aluminum Master Cyl. Kit Disc	
20	10962 *	DA20 Slide Channel Top	1

21	10963 *	DA20 Slide Channel Bot	1
22	10964 *	DA10 & DA20 Spacer	2
23	11042-??	Inner Slide Tube, Offset Channel (Shown)	1
	11044-??	Inner Slider Tube Channel Center	-
	11050-??	Inner Slider Tube Channel Up	-
24	12396	Rue Ring Lock Cotter 5/8 Shaft	1
25	12397	Rue Ring Lock Cotter, 7/8 Shaft	2
26	12557	Fill Plate for Master Cylinder	1
27	05408**	Replacement Safety Cable	1
28	SB12426	Shock, Dampener	2
-	BH21003	Replacement Towable/Not Towable Decal	-
29	05687	Replacement Master Cyl. Rubber Boot	1
Please order replacement parts by PART NO. & DESCRIPTION			
-	5401	Lever Replacement Kit (incl. items w/**)	-
-	5944	Slide Replacement Kit (incl. items w/**)	-

Note: -?? = -95 Plated -97 Primed Red -81 Black

**** (OPTIONAL) BRAKE FITTING**
 05679 - .125 Full Flow
 SB12099 - .031 Orifice

LARGE BORE MASTER CYLINDER RECOMMENDED FOR THREE AXLE & UP



Black Composite Master Cylinder Capacity
 Master cylinder reservoir = 5 oz.
 Master cylinder displacement per stroke = 1/2 oz OR .9 cubic inches

Outer Case Without Mounts and Channel Down Slider Tube Shown.

BH20021 Complete parts manual available at Demco-products.com

DA16 Actuator Parts Breakdown

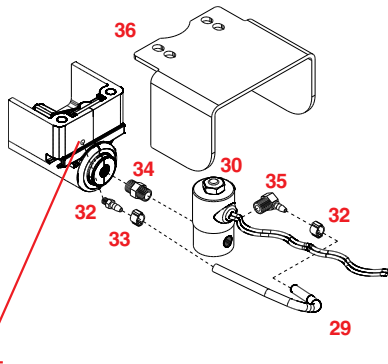
Item	Part #	Description	Qty	17	10964	Spacer *	2
1	00057	Washer, .25 Spring Lock	4	18	11675-95	Solenoid Cover	1
2	00068	Bolt, .25NC x .75 GR2 Hex **	1	19	11724	DA16 Push Rod Assembly	1
3	02772	Nut, .25NC Lock Nylon Insert **	1	20	12396	Rue Ring Lock Cotter 5/8 Shaft	1
4	03409-95	Pin Front Shock	1	21	12397	Rue Ring Lock Cotter 7/8 Shaft	2
5	03410-95	Cold Headed Clevis Pin .625	1	22	12557	Fill Plate f/ Master Cylinder Cap	1
6	03411-95	Cold Headed Clevis Pin .875	2	23	05408 **	Replacement Safety Cable	1
7	03866-95	Emergency Lever Guide **	1	24	13738-95	Inner Drop Tube Assembly	1
8	03876	Master Cylinder Cap Assembly	1	25	13739-95	DA16 Outer Case	1
9	04055	Bolt, .25-20NC x 1 GR5 Hex Head	4	26	35683	Aluminum Master Cylinder w/ By-Pass	1
10	05424	Washer, .313 External Tooth Lock	2	27	BD21001	Decal Disc Brakes	2
11	05693-95	Spring, Safety Lever **	1	28	BH21009	Decal "Warning" By-Pass Solenoid	1
12	05951	Emergency Lever **	1	29	SB12426	Shock Damper	2
13	05961	Bolt, .313NC x .625 GR5 Hex Head	2	30	05687	Replacement Master Cylinder Rubber Boot	1
14	17434	Rubber Gasket f/ Master Cylinder	1	Please order replacement parts by PART NO. & DESCRIPTION			
15	10962	DA16 Slide Channel Top *	1	-	5401	Lever Replacement Kit (incl. items w/ **)	-
16	10963	DA16 Slide Channel Bottom *	1	-	5944	Slide Replacement Kit (incl. items w/ *)	-

KIT #5753 PARTS LIST

Item	Part #	Description	Qty
29	04594	EPDM Black Tubing	-
30	05561	Solenoid Valve By-Pass	1
31	17434	Master Cylinder Gasket (not shown)	1
32	10373	Brass Fitting Str. .2HB x 10-32NF	1
33	10374	Crimp Clamp	2
34	10375	Straight Nipple 1/8"MPT x 1/8"MPT	1
35	10376	Brass Elbow 1/8"MPT x .2HB	1
36	11675-95	Solenoid Cover Plate	1

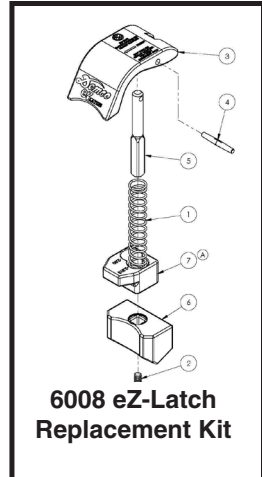
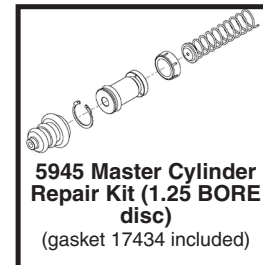
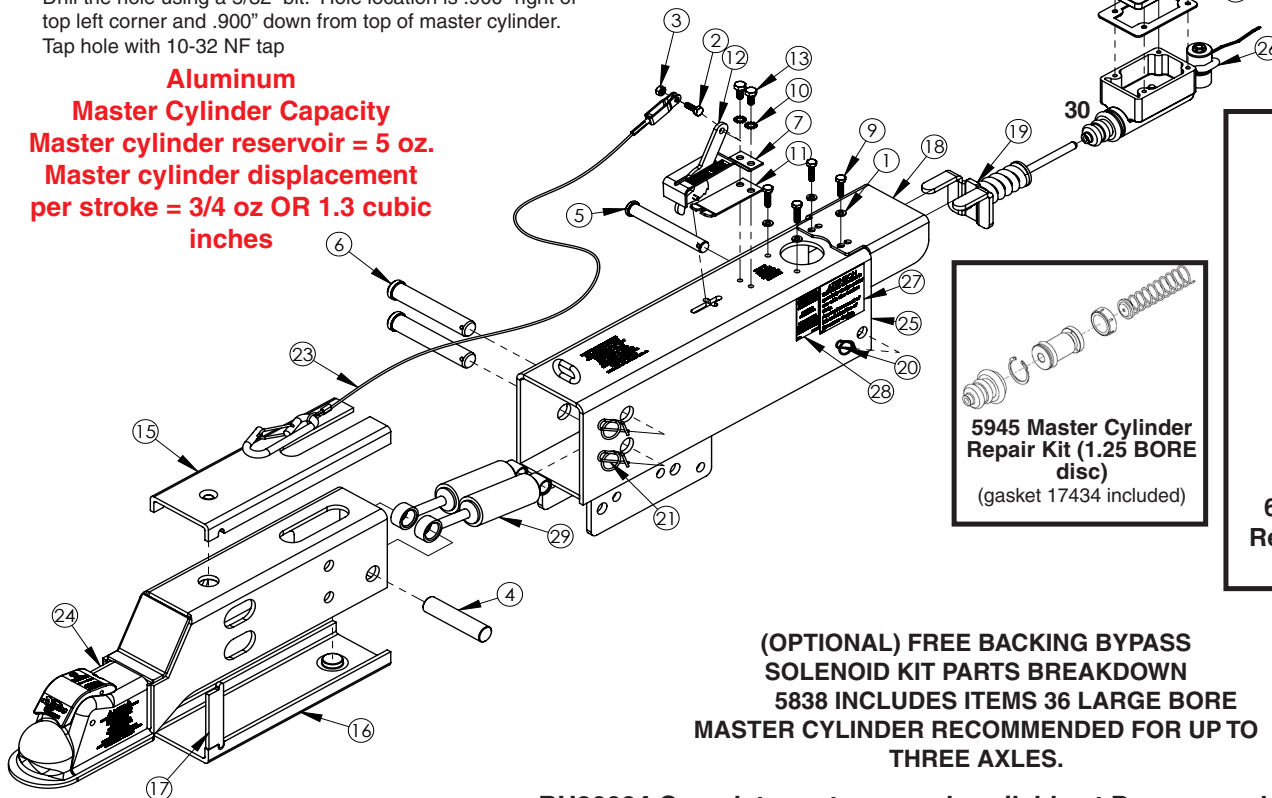
Please order replacement parts by PART NO. & DESCRIPTION

Fill Plate for Master Cylinder Cap*not needed if Outer case is threaded*



Drill the hole using a 5/32" bit. Hole location is .900" right of top left corner and .900" down from top of master cylinder. Tap hole with 10-32 NF tap

Aluminum
Master Cylinder Capacity
 Master cylinder reservoir = 5 oz.
 Master cylinder displacement per stroke = 3/4 oz OR 1.3 cubic inches

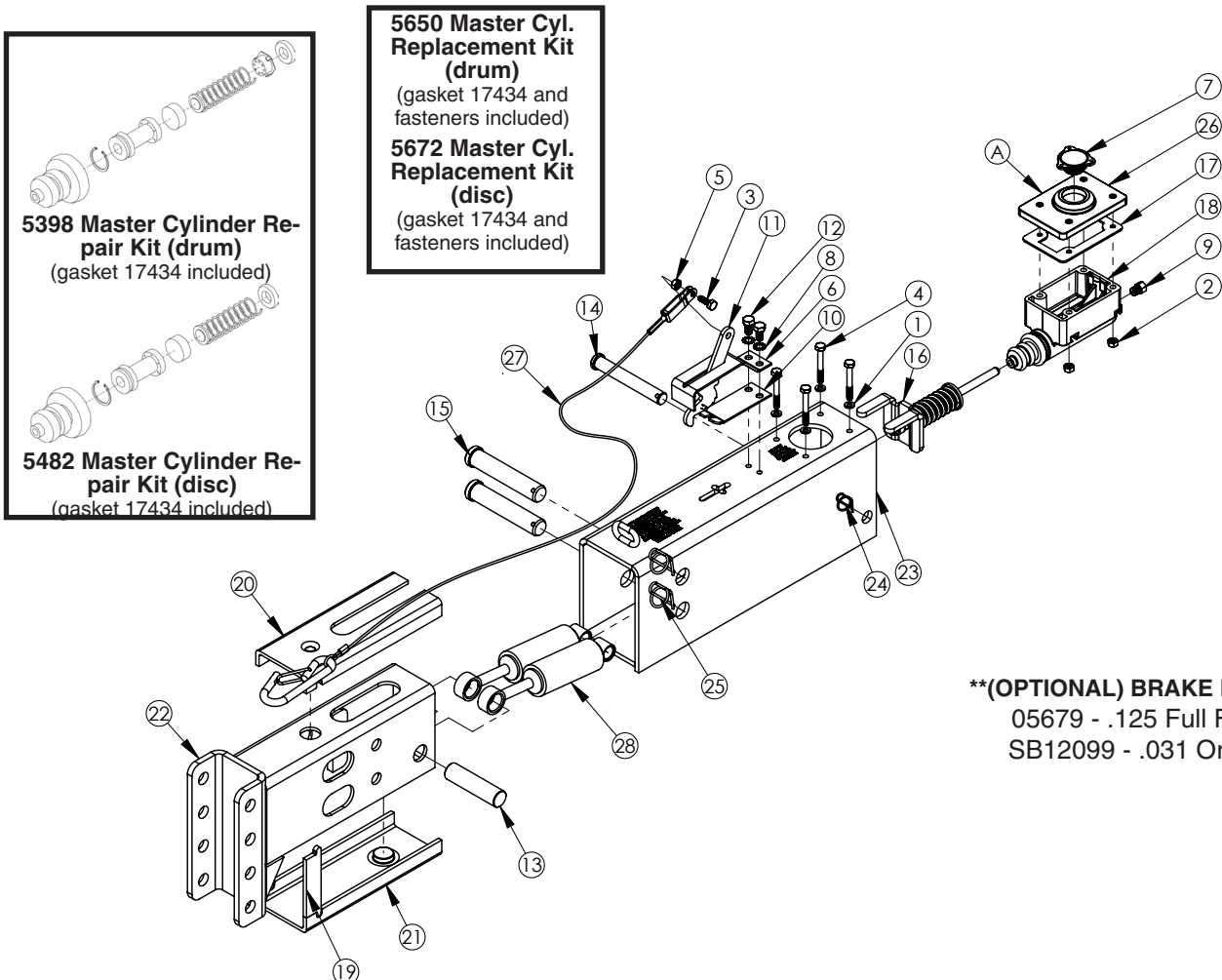


(OPTIONAL) FREE BACKING BYPASS SOLENOID KIT PARTS BREAKDOWN
 5838 INCLUDES ITEMS 36 LARGE BORE MASTER CYLINDER RECOMMENDED FOR UP TO THREE AXLES.

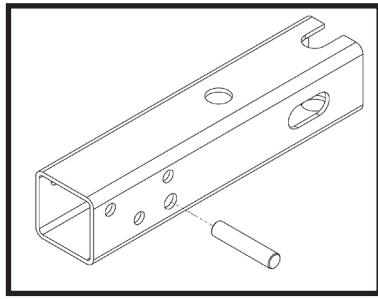
BH20034 Complete parts manual available at Demco-products.com

Item	Part #	Description	Qty
1	00057	Washer, .25 Spring Lock	4
2	00062	Nut .25nc Hex	4
4	00618	Bolt, .25 NC X 2.00 Hex Head Gr.5	4
6	03866-95**	Emergency Lever Guide	1
7	03876	Master Cylinder Cap Assembly	1
	05849	O-Ring (replacement)	
8	05424	Washer, .313 External Tooth Lock	2
9	05679	Brake Fitting .125 Full Flow	1
10	05693-95**	Spring, Safety Lever	1
11	05951	Emergency Lever	1
12	05961	Bolt, .313 NC X .625 Hex Head Gr5	2
13	05973-95	Pin, Front Shock	1
14	05974-95	Cold Headed Clevis Pin, .625	1
15	05986-95	Cold Headed Clevis Pin, .875	2
16	05989	Push Rod Assy f/DA10	1
-	12891	Push Rod Assy f/1.25" Bore Master Cylinder	1
17	17434	Rubber Gasket F/ Master Cylinder	1
18	5650	Composite Master Cyl. Kit (drum brakes)	1
-	5672	Composite Master Cyl. Kit (disc brakes)	-
-	5783	1.25" Bore Aluminum Master Cyl. Kit Disc	

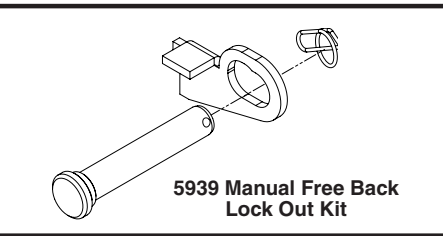
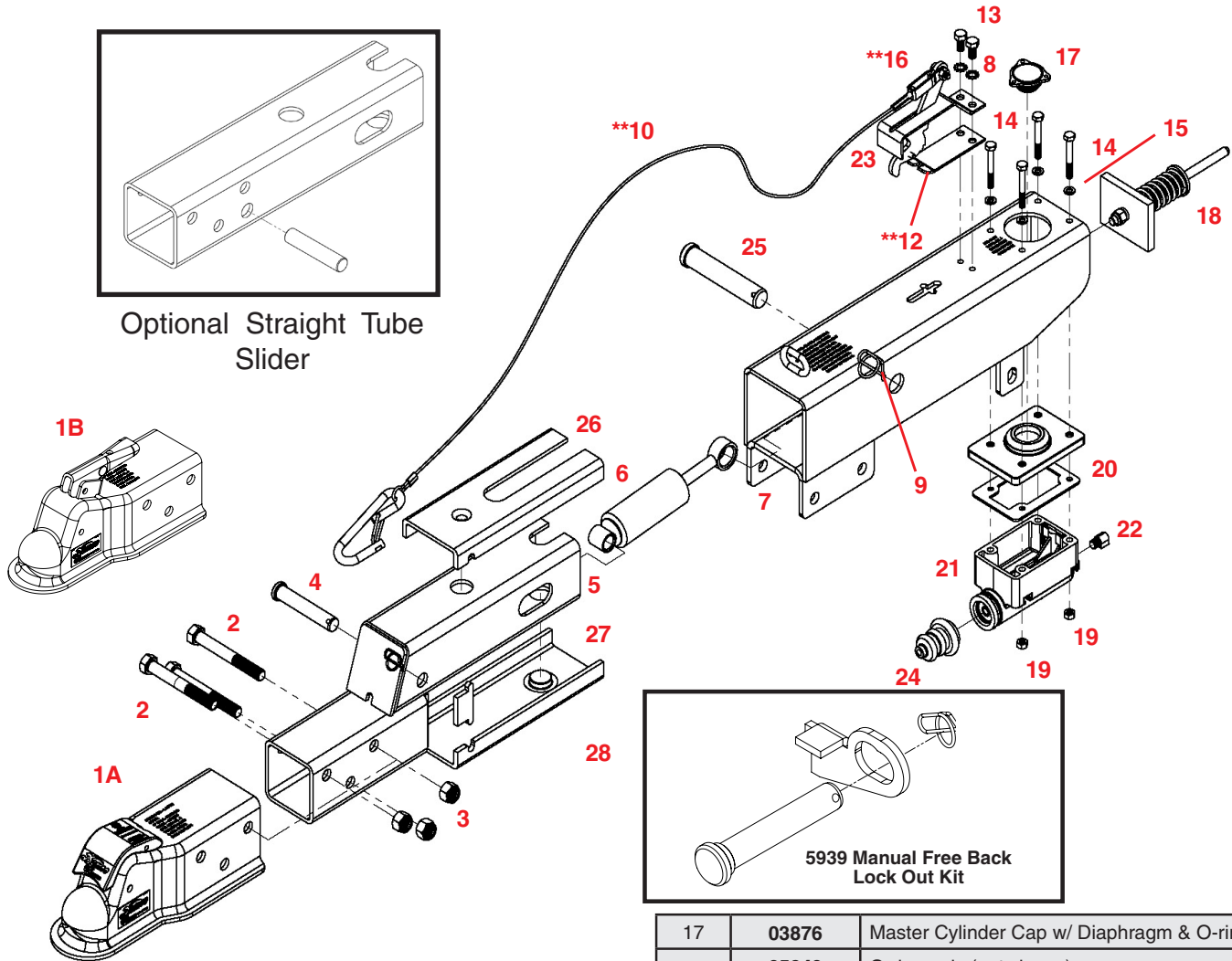
19	10964***	DA10 & DA20 Spacer	2
20	10965***	DA91 & DA10 Slide Channel Top	1
21	10966***	DA91 & DA10 Slide Channel Bot	1
22	11058-??	Inner Slider Tube Chan. Down (Shown)	1
-	11053-??	Inner Slider Tube Channel Center	-
-	11063-??	Inner Slider Tube Channel Up	-
23	11068-??	DA10 Outer Case	1
24	12396	Rue Ring Lock Cotter 5/8 Shaft	1
25	12397	Rue Ring Lock Cotter, 7/8 Shaft	2
26	12557	Fill Plate for Master Cylinder	1
27	05408**	Safety Cable f/Actuators	1
28	SB12426	Shock, Dampener	2
-	BH21003	Replacement Towable/Not Towable Decal	-
-	05687	Replacement Master Cyl. Protective Boot	-
Please order replacement parts by PART NO. & DESCRIPTION			
-	5401	Lever Replacement Kit (incl. items w/**)	-
-	5943	Slide Replacement Kit (incl. items w/*)	-



DA91 Actuator Parts Breakdown



Optional Straight Tube Slider



Item	Part #	Description	Qty
1A	13689-95	2" Ball Coupler Bolt On eZ-Latch	1
1B	12925	2" Ball Coupler Bolt On eZ-Latch	-
2	02918	Bolt, .50"NC x 4.50" GR8 Hex Head	3
3	02178	Nut .50"-13UNC Nylon Insert Lock	3
4	05441-95	Front Shock Pin .625" Dia x 3" (str. tube)	1
-	05426	Front Shock Pin (drop tube actuators)	1
5	11078-??	Straight Tube Actuator Slider	1
-	11079-??	Drop Tube Actuator Slider	1
6	SB12426	Dampener/Shock	1
7	11164-??	3 Bolt Mount Outer Case	1
8	05424	.3125 Washer External Tooth Lock	2
9	12397	Rue Ring Lock Cotter Pin f/ .88 Pin	1
10	05408**	Replacement .0938" Cable w/ Bolt & Nut	1
12	05693-95**	Emergency Lever Spring	1
13	05961	Bolt, .3125-18UNC x .625 GR5 Hex Head	2
14	00618	Bolt, .25-20UNC x 2" GR5 Hex Head	4
15	00057	Washer .25 Lock	4
16	05951-95**	Emergency Lever Assembly	1

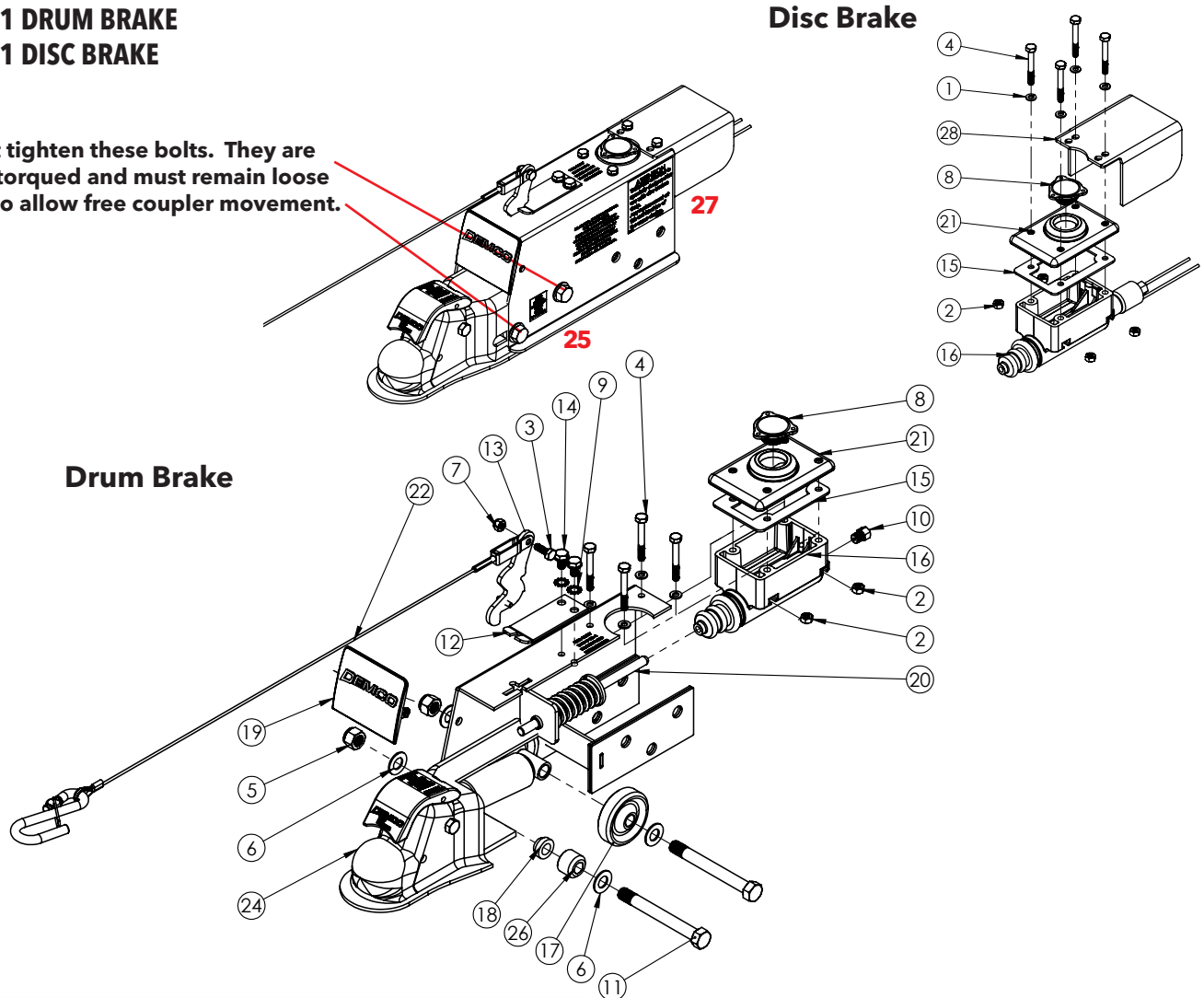
17	03876	Master Cylinder Cap w/ Diaphragm & O-ring	1
-	05849	O-ring only (not shown)	1
18	05977	Push Rod Assembly	1
19	00062	Nut .25 - 20UNC Hex	4
20	17434	Rubber Master Cylinder Gasket ONLY	-
21	5650	Master Cylinder (drum brakes)	1
-	5672	Master Cylinder (disc brakes)	-
22	05679	Brake Fitting .125 Full Flow (see options)	1
23	03866-95	Lever Guide	1
24	05687	Master Cylinder Protective Boot	1
25	05986-95 **	Connecting Pin	1
26	10965**	Upper Slider	1
27	10966**	Lower Slider	1
28	10967**	Side Spacers	2
29	12396	Rue Ring Lock Cotter Pin f. .63 Pin	1
30	12557	Fill Plate f/ Master Cylinder	1
Please order replacement parts by PART NO. & DESCRIPTION			
-	5401	Lever Replacement Kit (incl. items w/**)	-
-	5650	Master Cylinder Replacement Kit (drum)	-
-	5672	Master Cylinder Replacement Kit (disc)	-
-	5942	Slide Replacement Kit (incl. items w/***)	-
-	5939	Manual Free Back Lock Out Kit	-

Note: -?? = -95 Plated -97 Primed Red -81 Black -52 Metallic Silver

BH20023 complete parts manual available at Demco-products.com

8705001 DRUM BRAKE
8705101 DISC BRAKE

Do not tighten these bolts. They are factory torqued and must remain loose enough to allow free coupler movement.



REF NO.	PART NO.	QTY	DESCRIPTION
1	00057	4	WASHER 1/4" SPRING LOCK
2	00062	4	NUT .25NC HEX
3	00068	1	HBOLT .2500-20
4	00618	4	1/4"NC X 2.00 HEX HEAD BOLT GR.5
5	02178	2	NUT 1/2"NC LOCK NYLON INSERT
6	02384	4	1/2" X 14GA MACHINE WASHER
7	02772	1	NUT 1/4" LOCK NYLON INSERT
8	03876	1	MASTER CYLINDER CAP ASSEMBLY
9	05424	2	WASHER 5/16" EXTERNAL TOOTH LOCK
10	05679	1	BRAKE FITTING .125 FULL FLOW DRUM
11	05684	2	1/2"-13UNC SPECIAL HEX BOLT
12	05693-95	1	SPRING SAFETY LEVER
13	05951	1	EMERGENCY LEVER
14	05960	2	BOLT 5/16" X 1/2" HEX WASHER HD SELF TAPPING
15	17434	1	CORK GASKET F/ MASTER CYLINDER
16	10616	1	MASTER CYLINDER DRUM
-	35693	1	MASTER CYLINDER PREASSY DISC
17	12103	2	BACK ROLLER
18	12151	2	ROLLER SPACER

Please order replacement parts by **PART NO. & DESCRIPTION**

REF NO.	PART NO.	QTY	DESCRIPTION
19	12187	1	DEMCO LOGO FRONT COVER
20	12193	1	PUSHROD ASSY
21	12557	1	CAP F/ MASTER CYLINDER
22	14091	1	SAFETY CABLE ASSY
23	17236-95	1	DA70 OUTER CASE
24	35906	1	7000# 2" COUPLER W/ SHOCK
25	BH21004	2	DECAL
26	SB23278	2	ROLLER
27	BD21001	2	DECAL
28	12267-95	1	SOLENOID COVER DISC

Please order replacement parts by **PART NO. & DESCRIPTION**

BH20044 complete parts manual available at Demco-products.com

DEMCO eZ-Latch Coupler Operation

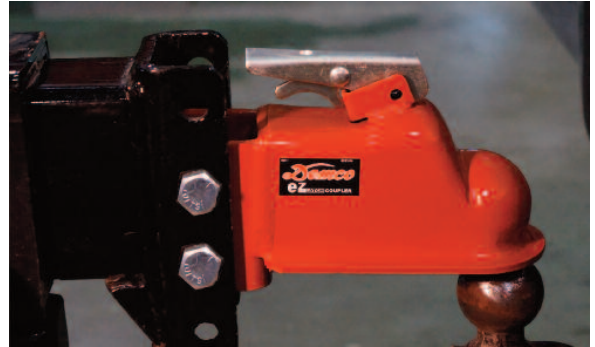
2" & 2 5/16" Couplers



(4) 5/8" Grade 5 Bolts are required with channel mounted 2" & 2 5/16" couplers



1



(1) eZ-Latch couplers do not require users to lift the handle for the coupler to engage the ball. Position the ball in the center of the ball socket or slightly forward, then begin to lower the coupler with the jack on the trailer.



2



(2) At the mid-way point when lowering the trailer, the stem on the handle will begin to rise up allowing the ball to enter the ball socket.



3



(3) Once the ball has fully engaged the socket the ball keeper will snap back into place securing the coupler to the ball.

All Demco eZ-Latch couplers are tested and rated without the use of a safety pin and are not required for the couplers to be used in safe operation. A security hole is available on all the eZ-Latch couplers to be used in correlation with a lock for theft deterrence.

For more information visit www.demco-products.com

WARNING To Prevent Serious Injury Or Death:

- Review all of the following instructions before installation and use of hydraulic brake actuator.
- Dealers or Distributors must review these instructions with ultimate user.
- Failure to follow these instructions, or failure to properly maintain braking system after installation, can result in loss of braking action which could cause severe property damage, personal injury or death.

SPECIAL NOTE – WHEN PRESSURE BLEEDING BRAKES IT IS STILL NECESSARY TO SHORT STROKE THE MASTER CYLINDER SEVERAL TIMES TO ELIMINATE TRAPPED AIR BUBBLES.

Elevate tongue on trailer 4-6 inches

Refer to actuator parts breakdown page to locate referenced part numbers associated with procedures below: Visually inspect actuator to ensure the inner slide is fully extended. This can be verified by making sure the black copolymer slides are flush with leading edge of outer case. On DA66 and DA86 models make sure that the coupler is fully extended.

Failure to perform this function will prevent proper and complete bleeding of system

- Loosen or remove two 5/16" bolts that hold the lever guide and flat emergency lever spring. Remove master cylinder fill cap.
- Using short strokes, pull forward on emergency lever, pumping master cylinder until brake fluid in master cylinder reservoir stops bubbling.
- Attach a bleeder hose to a bleeder valve on one of the wheels (starting at wheel farthest from master cylinder) and submerge other end into a transparent container partially filled with brake fluid to prevent possible splashing from container.
- Loosen bleeder valve one turn and while watching fluid in container, use emergency lever to pump fluid as long as bubbles continue to leave submerged hose. When bubbles stop, close bleeder valve, move to next wheel and repeat until all brakes are bled. (Note: Check master cylinder often (every 4-5 strokes) and refill above half full as needed)
- Refill master cylinder and securely attach cap. Reinstall emergency lever spring, lever guide, lock washers and 5/16" hex head bolts. When tightening the bolts, make sure the lever moves freely in the groove in the guide.

Test brakes by pulling emergency lever) forward until it locks into position. Lever will be pointing approximately straight up. Attempt to rotate wheels in a forward direction. If any wheel rotates, brakes assemblies must be adjusted.

Jack up trailer and secure on adequate capacity jack stands. Follow trailer manufacturer's recommendations for lifting and supporting the unit. Make sure the wheel and drum rotates freely.

Remove the adjusting hole cover from the adjusting slot on the bottom of the brake backing plate.

With a screwdriver or standard adjusting tool, rotate the star wheel of the adjuster assembly to expand the brake shoes. Adjust the brake shoes out until the pressure of the linings against the drum makes the wheel very difficult to turn.

Back off the adjuster wheel 15-20 clicks. The wheel should turn freely with a possible, slight lining drag.

Replace the adjusting hole cover and lower the wheel to the ground. Repeat the above procedure on all brakes. For best results, the brakes should all be set at the same clearance.

***Retest the brakes by locking the emergency lever on and attempt to rotate tires in a forward direction, if any wheel turns there might be trapped air in the system yet.**

SERVICING THE EMERGENCY LEVER

If emergency lever of actuator is applied, it can be disengaged by using a screwdriver to lift upward on front of flat emergency lever spring while pulling lever forward until released. A thorough inspection of emergency lever, emergency lever spring, and safety cable is required. Damaged parts must be replaced as follows:

- Remove master cylinder and push rod assembly. Be careful not to get dirt into master cylinder. (A new Master Cylinder Gasket should be used when reinstalling). **NOTE:** make sure push rod plate is against steel slide tube when reinstalling and not behind lower plastic slide.
- Remove Cable from emergency lever, emergency lever guide and flat emergency lever spring, then pull lever out of actuator outer case through cross-slot in top.
- Install new emergency lever through cross-slot in top of outer case. Attach new emergency lever spring and emergency lever guide.
- Bolt emergency cable to emergency lever using bolt and lock nut. Leave nut & bolt loose enough to allow fork to pivot on lever.
- Add adequate brake fluid to master cylinder and bleed brake system per instructions 4-6 in installation section.

Actuator Trouble Shooting Guide

Symptoms

Possible Solutions

Brakes Locking Up

Emergency lever partially pulled

Release emergency lever.

(Lever must be in green zone).

(Emergency cable must have slack)

Debris in master cylinder orifice

Clean/flush or replace orifice

Debris/rust in master cylinder

Clean/flush or replace master cylinder

Pinched brake line or hose

Replace brake line or hose.

Brake cluster hanging up
function

Inspect wheel cylinder for rust and proper

Check for broken springs

Check shoe adjustment (too tight)

Cluster mounting bracket bent

Trailer must be level or parallel with ground

Master Cylinder Not Priming

Master cylinder lever will not pump fluid

Slide tube must be completely extended

Check fluid level.

Master cylinder orifice plugged

Clean/flush or replace master cylinder

Brake fluid does not come out of orifice

Clean/flush or replace orifice

Brake fluid does not come out of brake line

Inspect line/hoses for blockages.

Air in brake lines

Check all line connections for air leaks

Check fluid level and bleed brakes

Leaking Master Cylinder

Brake fluid leaking out of push rod area

Repair or replace master cylinder.

Brake fluid leaks out of gasket area

Damaged gasket. Replace gasket.

Tighten master cylinder bolts in an alternating sequence
(10 inch lbs. torque)

Brake fluid leaks out of gasket area

Master cylinder tightened unevenly.

Replace gasket and tighten bolts alternating sequence.

Brake fluid leaks around orifice

Do not overfill master cylinder

When attaching main brake line to orifice, use line
wrench and back-up wrench to prevent over-tightening
or damage to threads in master cylinder.

Brake Testing


Jack trailer wheels up off ground.

Spin wheel/wheels. Wheels should spin freely.

Pull emergency lever on as far forward as possible,
wheels should not turn by hand. Release emergency lever.

Wheels should spin forward without resistance.

DO NOT LUBRICATE SLIDES

 **WARNING** To avoid personal injury or death, do not exceed lowest of (1) the rated capacity of the actuator, or (2) rated capacity of ball, hitch, and coupler being used, or (3) trailer's Gross Vehicle Weight Rating (GVWR).
The brake actuator has a maximum tongue load equal to 10% of the maximum load rating.

DEMCO

4010 320th St., Boyden, IA. 51234

Phone: (712) 725-2311

Fax: (712) 725-2380

Toll Free: 1-800-54DEMCO (1-800-543-3626)

**Demco warranty policies, operator manuals, and product registration
can be found online:**

www.demco-products.com

