



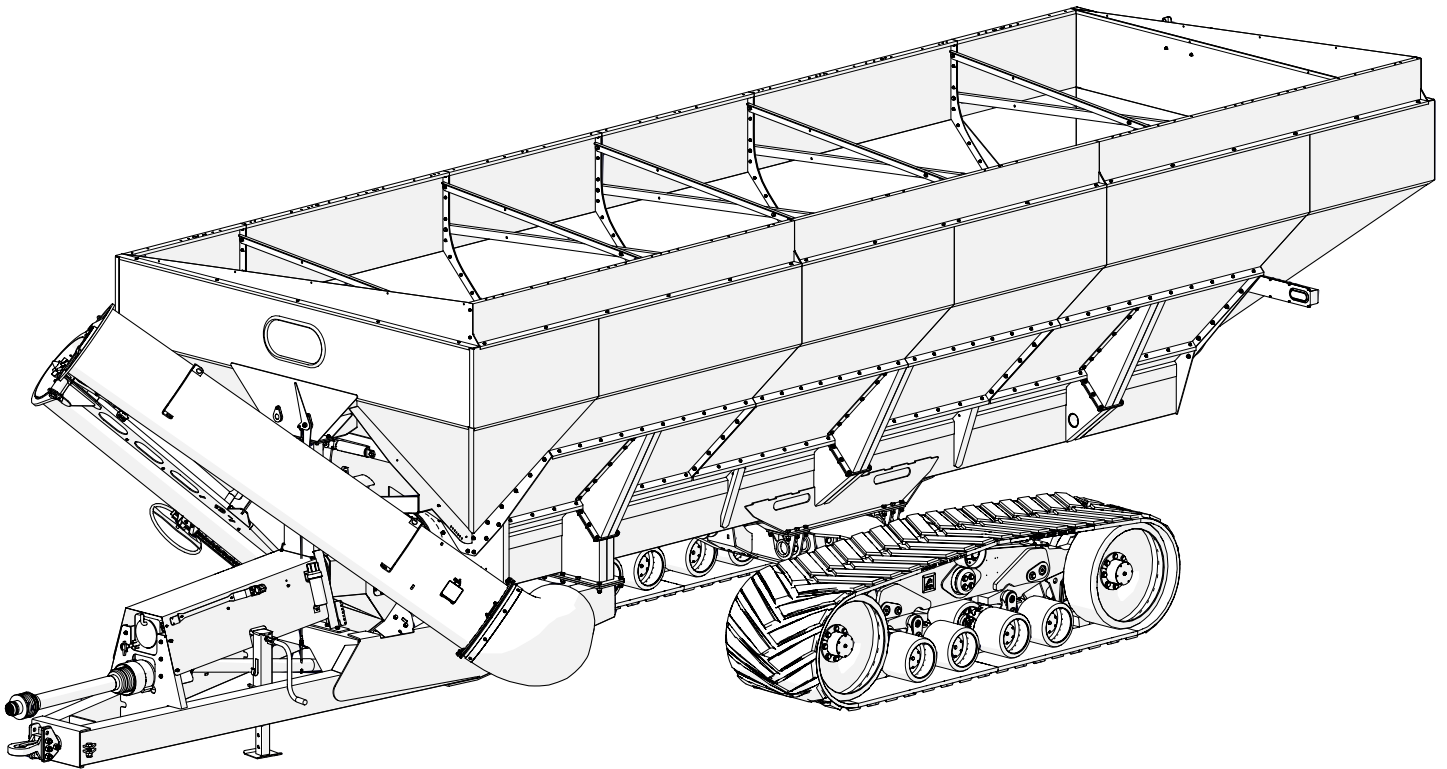
*Doing Our Best to Provide You the Best*

AG20057, Rev 0  
05/24

---

**GRAIN CART - DUAL AUGER FRONT FOLD**  
**1100DA, 1300DA & 1500DA**

---



**PARTS MANUAL**

# Table of Contents

---

## Overview

Table of Contents .....	2
Grain Cart Information .....	2
Replacement Parts Statement .....	2

## Main Assembly

Lower Auger Door Opener .....	3
Lower Auger Assembly .....	4-5
Upper Auger Assembly .....	6-7
Hitch and Gearbox Assembly .....	8
Front End Assembly .....	9
Trough Cleanout Doors .....	10
Drag Auger Assembly .....	11
Door Opener and Drag Auger Shields .....	12
Front Section Assembly .....	14-15
Lower Panels, Supports and Braces .....	16-17
Rear Section .....	18
Mesh Panels and Support.....	19
Top Panels, Braces and Extensions .....	20-21
Grease Bank .....	32

## Axle Assembly

Single Axle Assembly .....	22
Dual Axle Assembly .....	23
Track Axle .....	24

## Grain Cart Information

This parts manual is for Demco Grain Front Folding Drag Auger Carts Models:1500, 1300 and 1100  
Production 2024 - Current

Record your Serial Number, Date of Purchase and Dealer for reference

Serial Number \_\_\_\_\_

Date of Purchase \_\_\_\_\_

Dealer Information \_\_\_\_\_

## Replacement Parts

When ordering replacement parts provide the Unit Color and Item Number.  
Some Bill of Material tables have multiple numbers in the QTY column. It references the quantity for 1500, 1300, 1100 carts respectfully.

## Spindle/Hub Assembly

Dual Axle Spindle/Hub .....	25
Single Axle Spindle/Hub .....	26-27

## Scale and Electric Schematics

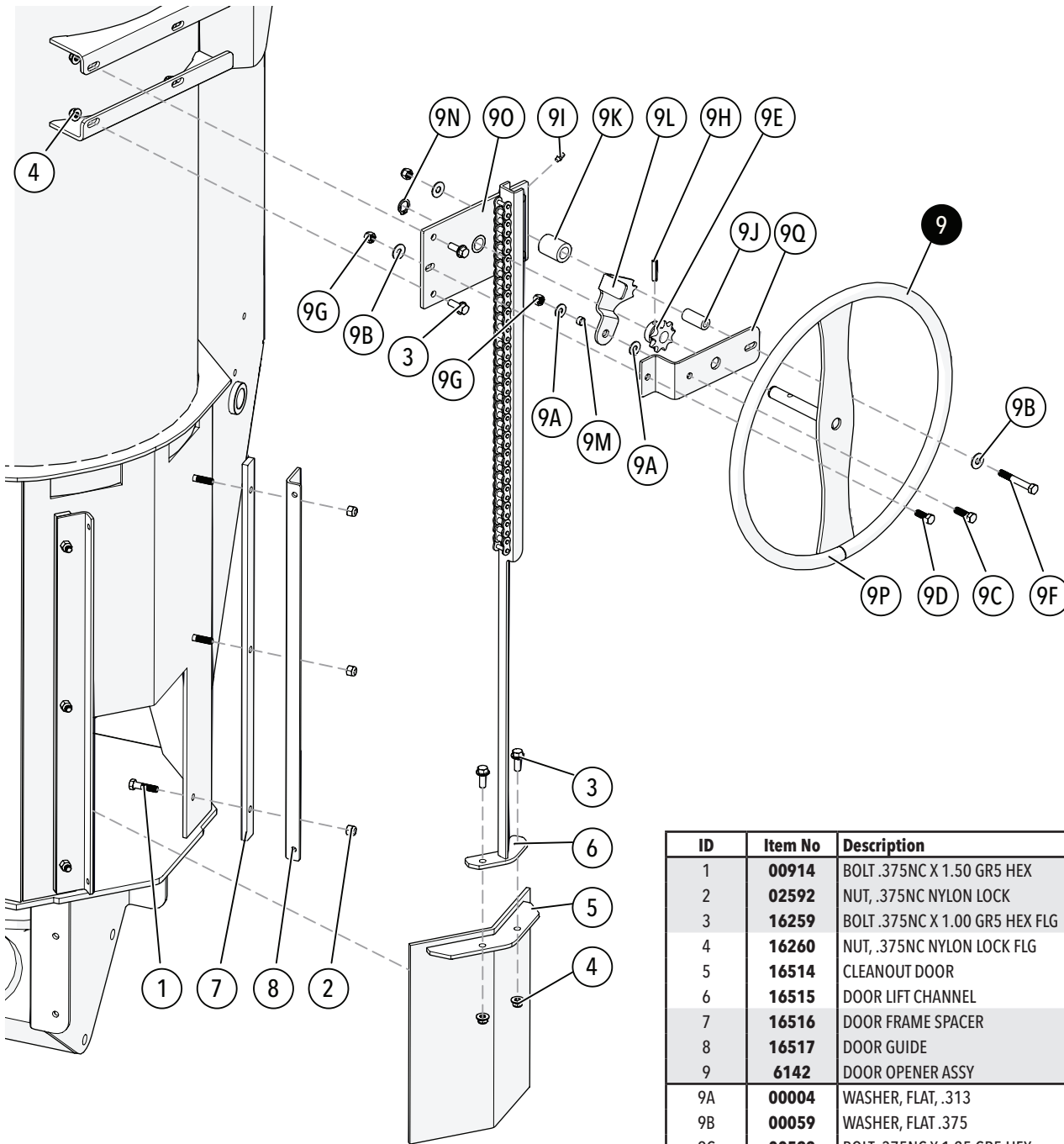
Electrical Schematic .....	28
Scale Schematic.....	29

## Hydraulic Schematic

Pendant and Limit Switch Diagram .....	30-31
Hydraulic Jack Option .....	31

## Bolt Torque

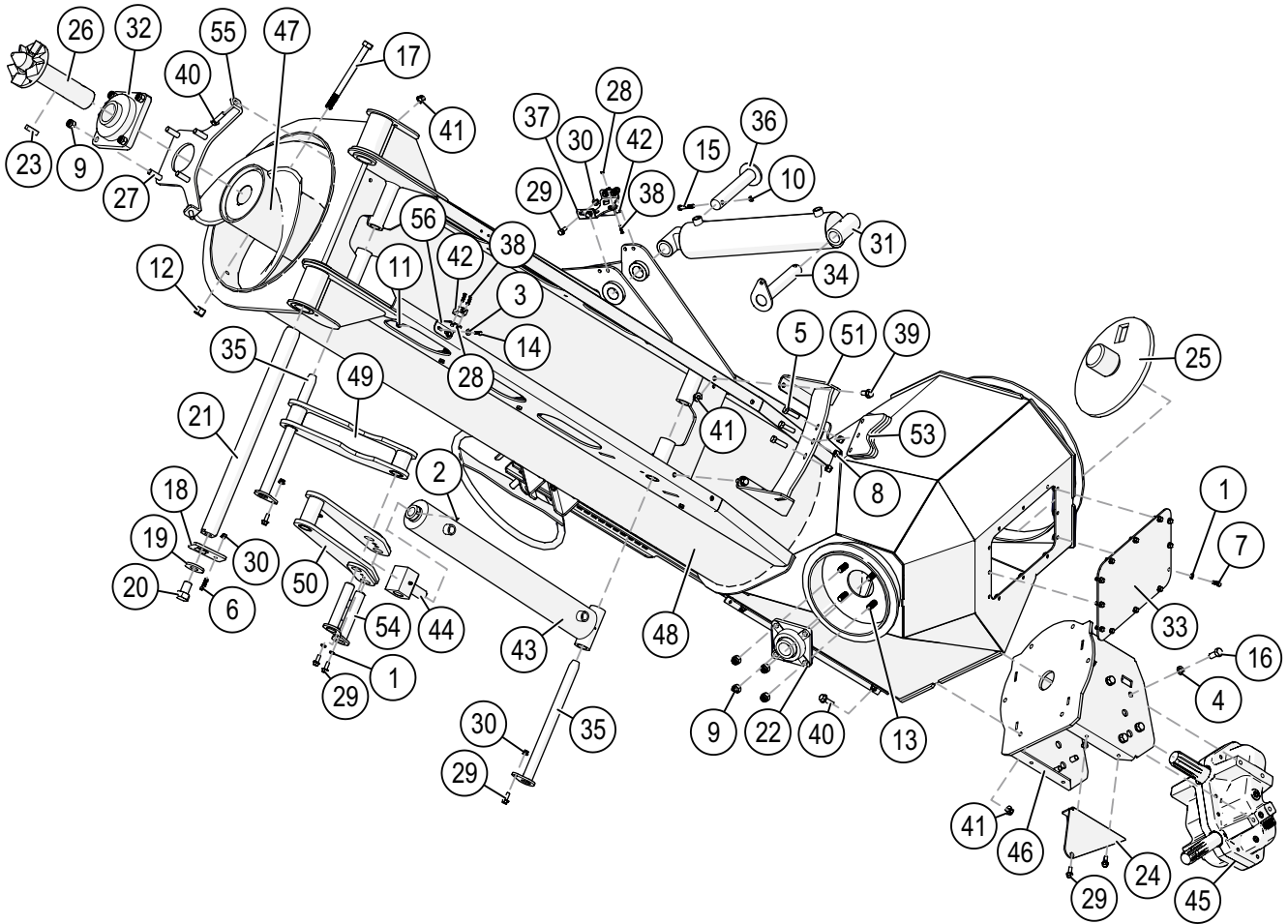
Information.....	33
------------------	----



ID	Item No	Description	Qty
1	00914	BOLT .375NC X 1.50 GR5 HEX	6
2	02592	NUT, .375NC NYLON LOCK	6
3	16259	BOLT .375NC X 1.00 GR5 HEX FLG	6
4	16260	NUT, .375NC NYLON LOCK FLG	6
5	16514	CLEANOUT DOOR	1
6	16515	DOOR LIFT CHANNEL	1
7	16516	DOOR FRAME SPACER	2
8	16517	DOOR GUIDE	2
9	6142	DOOR OPENER ASSY	1
9A	00004	WASHER, FLAT, .313	2
9B	00059	WASHER, FLAT .375	3
9C	00523	BOLT .375NC X 1.25 GR5 HEX	1
9D	00907	BOLT .375NC X 1.00 GR5 HEX	1
9E	01332	SPROCKET, 9 TOOTH #50 CHAIN	1
9F	02166	BOLT .375NC X 2.75 GR5 HEX	1
9G	02592	NUT, .375NC NYLON LOCK	3
9H	02849	ROLL PIN, .31 X 1.38	1
9I	04642	ZERK, GREASE, .25 UNF SF	1
9J	05363	BUSHING, INNER ROLLER	1
9K	05364	BUSHING, OUTER ROLLER	1
9L	11412	DOOR LATCH	1
9M	11414	BUSHING, LATCH PIVOT	1
9N	14750	SNAP RING EXT F/ .75SHAFT	1
9O	15392	OPENER PLATE	1
9P	15393	DOOR LIFT WHEEL	1
9Q	15395	OPENER BRACKET	1

When ordering replacement parts please provide the Unit Color and Item Number

# Lower Auger Assembly

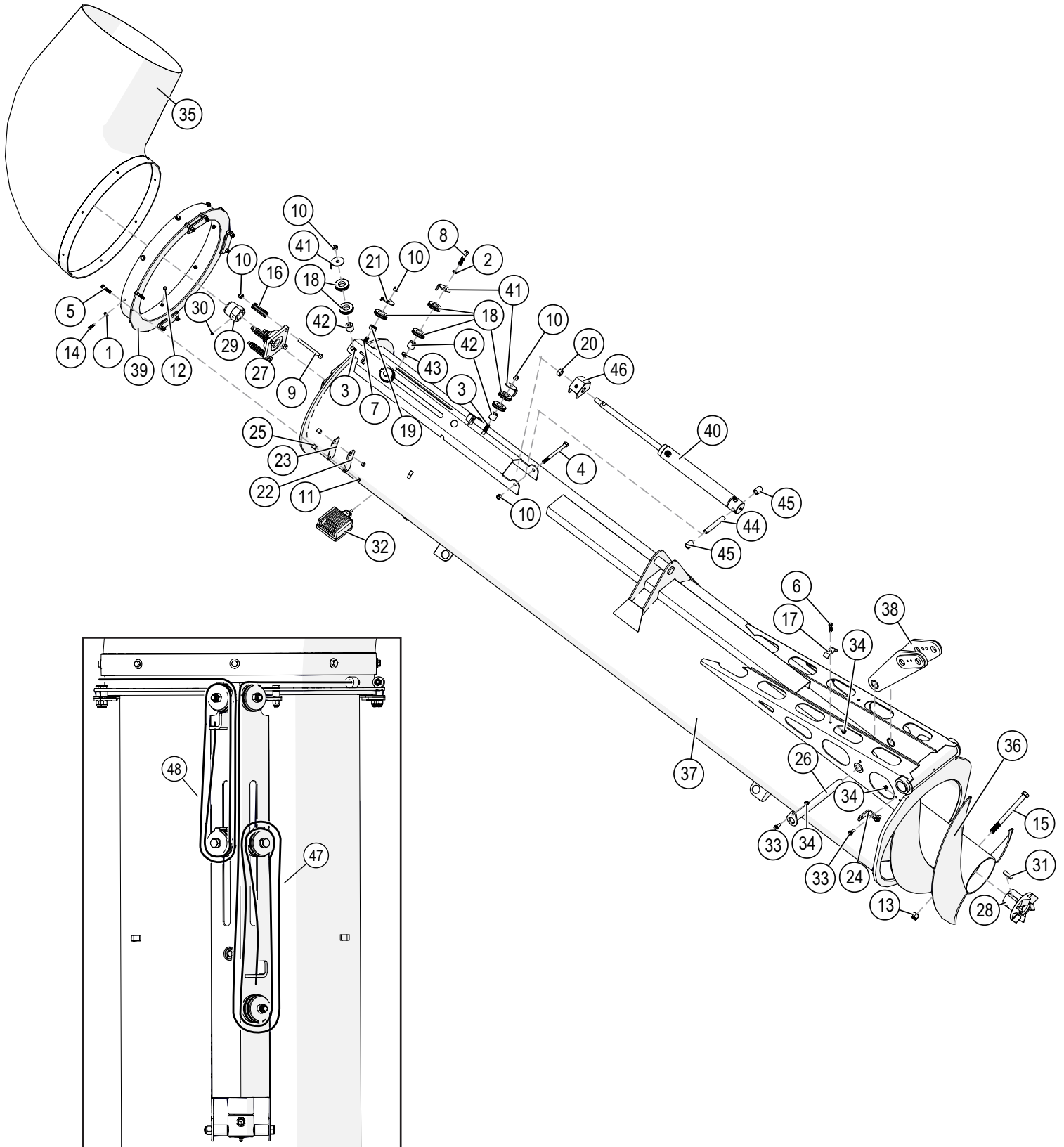


When ordering replacement parts please provide the Unit Color and Item Number

ID	ITEM NO	DESCRIPTION	QTY
1	00060	.375 LOCK WASHER	14
2	00087	SET SCREW .313NC X .313 SOCKET HEAD	1
3	00214	WASHER, FLAT, .25	2
4	00248	WASHER SPRING LOCK 0.625	8
5	00482	BOLT .50NC X 1.75 GR5 HEX	3
6	00523	BOLT .375NC X 1.25 GR5 HEX	1
7	01899	BOLT .375NC X .75 GR5 HEX	12
8	02178	NUT, .50NC LOCK, NY. INSERT	3
9	02587	NUT, .625 NC NYLON LOCK	8
10	02592	NUT, .375NC NYLON LOCK	1
11	02772	NUT, .25NC LOCK NYLON INSERT	2
12	02961	NUT, .75NC LOCK NYLON INSERT	1
13	03698	BOLT .625NC X 1.75 GR5 HEX	4
14	04055	BOLT .25NC X 1.00 GR5 HEX	2
15	04226	BOLT .375NC X 2.00 GR5 HEX	1
16	05366	BOLT .625NC X 1.25 GR5 HEX	8
17	07681	BOLT .75NC X 9.00 GR5 HEX	1
18	13010	AUGER PIN PLATE	1
19	13011	AUGER PIN WASHER	1
20	13012	1.0"-8NC X 1.50 HEX BOLT GR5	1
21	13342	AUGER PIN	1
22	13411	BEARING 1.75" 4-BOLT FLANGE	1
23	13538	.50 x .50 x 1.75" KEY	1
24	13599	GEARBOX U-JOINT SHIELD	1
25	14005	LOWER DRIVE	1
26	14110	INNER DRIVE CASTING	1
27	15944	BOLT .625NC X 2.25 HEX GR5	4
28	16056	NUT #8-32 NYLON INSERT	4
29	16259	BOLT .375NC X 1.00 GR5 HEX FLG	10
30	16260	NUT, .375NC NYLON LOCK FLG	9
31	16405	CYLINDER 4" X 12" STROKE	1
32	16414	2.5" IPTCI BEARING	1
33	16475	ACCESS DOOR	1
34	16542-95	CYL PIN	1
35	16543-95	LOWER HYD CYL PIN	2
36	16544-95	PIN, CYL	1
37	16565	LIMIT SWITCH MOUNT	1
38	16585	SCREW #8-32 X 1.00 PHILLIPS PAN HD	4
39	16588	BOLT .50NC X 1.25 GR5 HEX FLANGE	4
40	16589	BOLT .50NC X 1.50 GR5 HEX FLANGE	8
41	16590	NUT, .50NC LOCK, NY. INSERT FLANGE	12
42	16824	LIMIT SWITCH ASSEMBLY	2
43	17104	HYD CUSHION CYL 3.50" X 24.00"	1
44	17310	HYDRAULIC CYLINDER END SMALL	1
45	17562	GEARBOX, SUPERIOR H13B	1
-	13339	GEARBOX, COMER IND.	-
-	18193	GEARBOX, STAR IND.	-
46	17573	GEARBOX MOUNT, SUPERIOR AND STAR	1
-	17572	GEARBOX MOUNT, COMER	-
47	17800	AUGER FLIGHTING LOWER BLK 20.50"	1
48	18020	RH LOWER AUGER	1
-	18110	LH LOWER AUGER	-
49	18021	LOWER FOLD LINK	1
50	18022	UPPER FOLD LINK	1
51	18023	OUTER AUGER REST	1
53	18043	AUGER REST PLATE	2
54	18066-95	AUGER PIN, 1.25"	2
55	18094	BEARING MOUNT PLATE	1
56	18096	SWITCH MOUNT	1

When ordering replacement parts please provide the Unit Color and Item Number

# Upper Auger Assembly

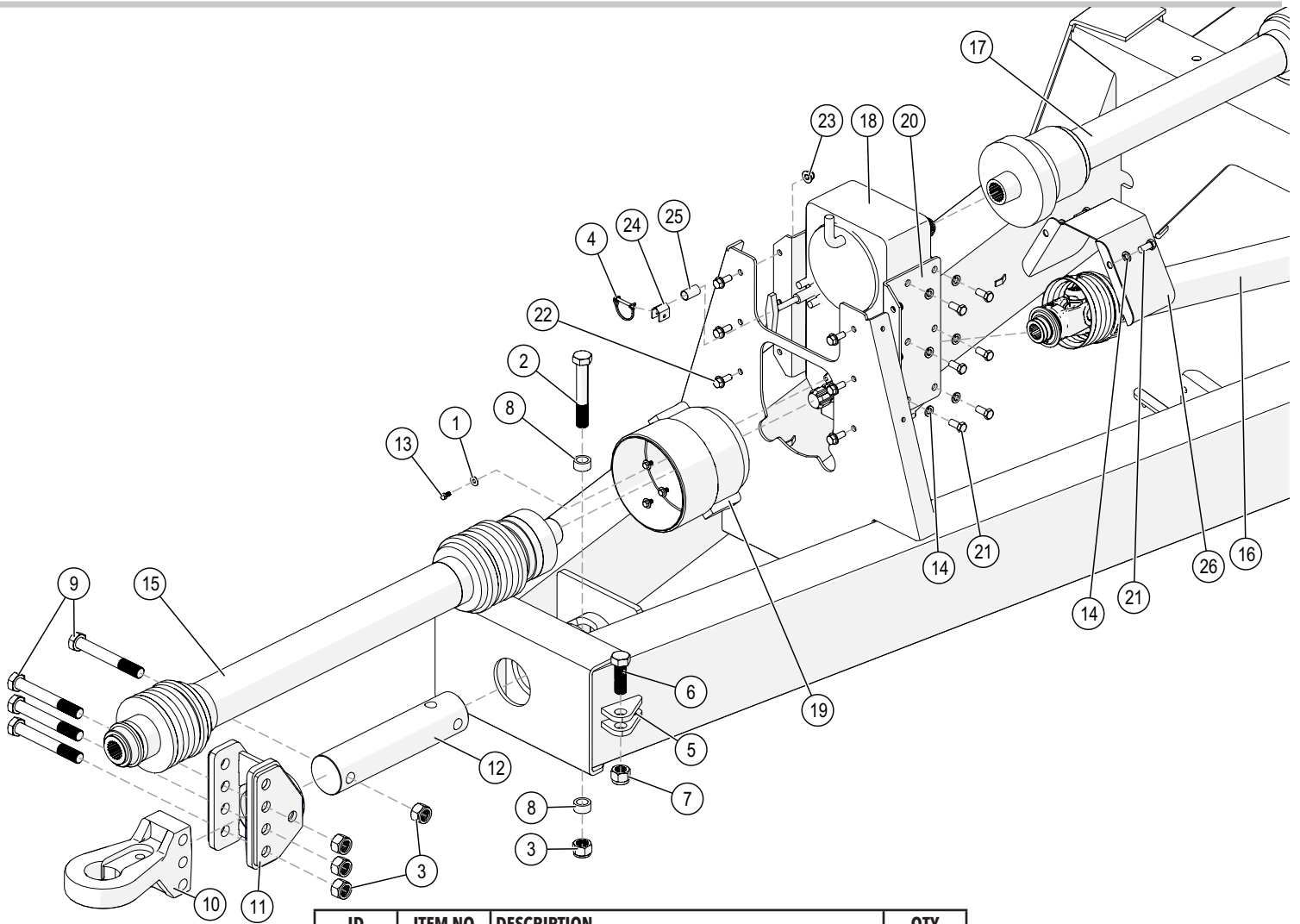


When ordering replacement parts please provide the Unit Color and Item Number

ID	ITEM NO	DESCRIPTION	QTY
1	00004	WASHER, FLAT, .313	8
2	00084	.50 LOCK WASHER	2
3	00348	BOLT .50NC X 2.25 GR5 HEX HEAD	2
4	00349	BOLT .50NC X 6.00 GR5 HEX	1
5	00908	BOLT .375NC X 1.75 GR5 HEX	8
6	00914	BOLT .375NC X 1.50 GR5 HEX	1
7	01254	BOLT .50NC X 1.50 GR5 HEX	1
8	01264	BOLT .50NC X 2.50 GR5 HEX	2
9	01975	BOLT .50NC X 5.00 GR5 HEX	4
10	02178	NUT, .50NC LOCK, NY. INSERT	8
11	02592	NUT, .375NC NYLON LOCK	9
12	02802	NUT, .313 NC NYLON LOCK	8
13	02961	NUT, .75NC LOCK NYLON INSERT	1
14	02990	BOLT .313NC X 1.00 GR5 HEX	8
15	07681	BOLT .75NC X 9.00 GR5 HEX	1
16	09168	SPRING, COMPRESSION	4
17	09218-95	HOSE KEEPER, 2 HOSE	1
18	09282	CABLE SHEAVE	9
19	09283	SHEAVE BUSHING	1
20	09726	NUT .75NF LOCK STOVER GR. C	1
21	12531-95	CABLE RETAINER	1
22	12549	MOUNT RING RETAINER BRKT	4
23	12550	PLASTIC RETAINER BRKT SPACER	4
24	12555	LIGHT BRACKET	1
25	12667-95	RETAINER BRACKET BUSHING	8
26	13341-95	UPPER HYD CYL PIN	1
27	13411	BEARING 1.75" 4-BOLT FLANGE	1
28	13414	DRIVE CASTING OUTER W/ KEYWAY	1
29	13424	NUT SPACER NUT	1
30	13521	SET SCREW .25NC X .375 SOCKET CUP POINT	1
31	13538	.50 x .50 x 1.75" KEY	1
32	14926	LIGHT WORK LED 12V-36V	1
33	16259	BOLT .375NC X 1.00 GR5 HEX FLG	3
34	16260	NUT, .375NC NYLON LOCK FLG	4
35	16749	24" DISCHARGE CHUTE	1
36	17801	AUGER FLIGHTING UPPER BLK 20.50" SHORT	1
37	18019	22" SHORT AUGER	1
38	18022	UPPER FOLD LINK	1
39	18024	ADJ CHUTE DRIVE RING 22" FF	1
40	18060	CYLINDER 2.00 X 12.50 X 1.00" ROD	1
41	18061	CABLE RETAINER (DOUBLE)	4
42	18062	SHEAVE BUSHING (DOUBLE)	4
43	18063	SHEAVE STEP BUSHING	2
44	18064	BUSHING .75 X.12 X 4.94	1
45	18065	BUSHING 1.0 X .12 X 1.25	2
46	18070	CYLINDER CARRIAGE	1
47	17798	CHUTE CABLE 136"	1
48	17799	CHUTE CABLE 104"	1

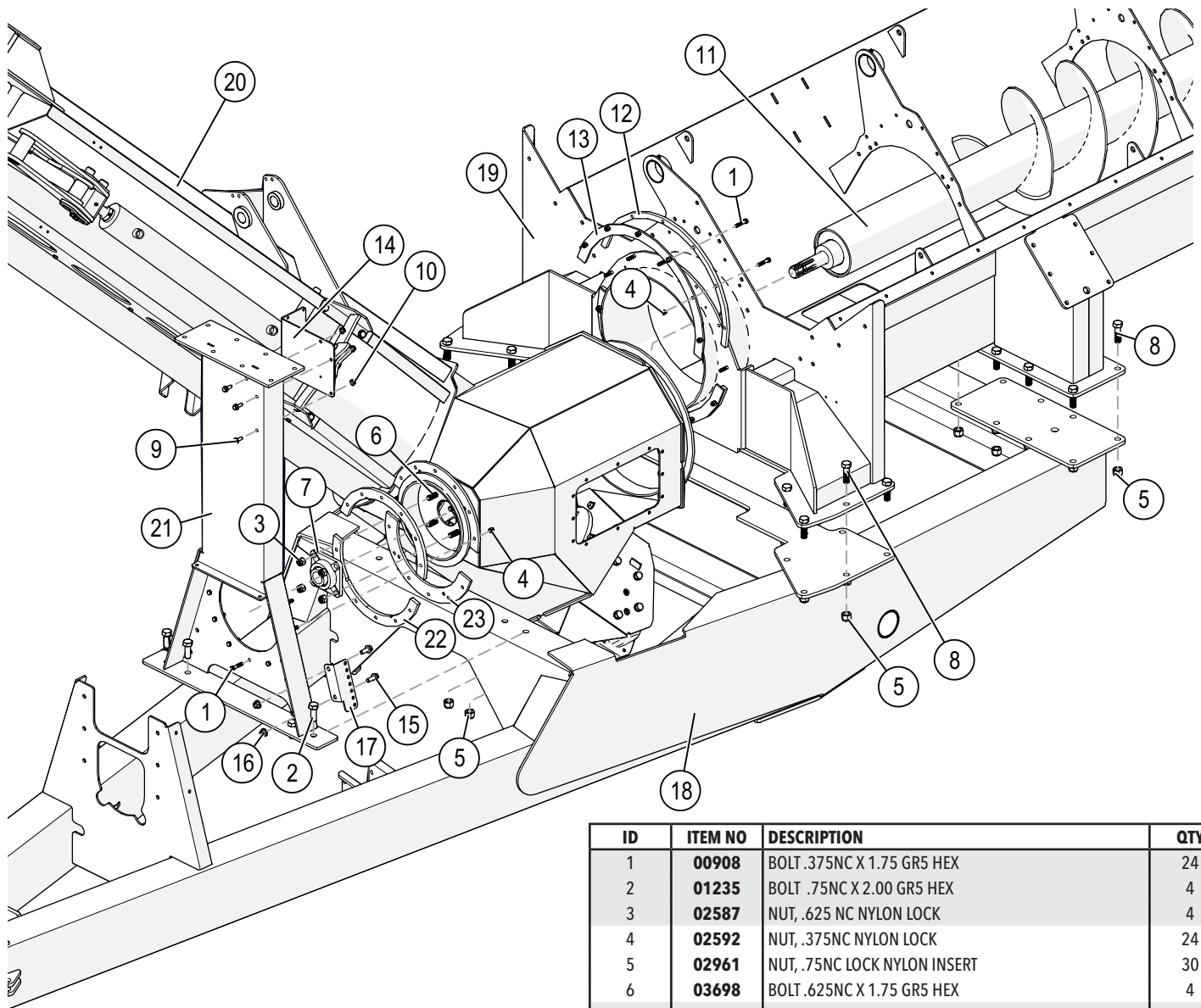
When ordering replacement parts please provide the Unit Color and Item Number

# Hitch and Gearbox Assembly



ID	ITEM NO	DESCRIPTION	QTY
1	00004	WASHER, FLAT, .313	4
2	09454	BOLT 1.0NF X 6.50 GR8 HEX	1
3	09455	NUT, 1.0NF NYLON INSERT HEX	5
4	11790	PIN, .25 X 2.00 W/WIRE CLIP	1
5	12154	40,500 LB SAFETY CHAIN	1
6	12323	HEX BOLT 1.00-8UNC X 3.00	1
7	12477	1"-8 UNC NYLON INSERT NUT	1
8	13321	HITCH BOLT BUSHING	2
9	13510	BOLT 1.0NF X 7.50 GR8 HEX	4
10	13979	PERFECT HITCH 3 BOLT CAT 4/5	1
11	13982	HITCH CHANNEL MOUNT	1
12	13983	SCALE HITCH WEIGHBAR, 3.725"	1
13	14805	BOLT 8MM-1.25 X 16MM GR8.8	4
14	15841	WASHER, SPRING LOCK, 14MM	14
15	15939	MAIN DRIVESHAFT	1
16	15940	UNLOAD AUGER DRIVESHAFT	1
17	15941	DRAG AUGER DRIVESHAFT	1
-	16693	FRICITION DISC, BONDIOLI (REPLACEMENT REQUIRES 2)	-
18	15942	PARALLEL SHAFT GEARBOX	1
19	16418	COUNTER CONE	1
20	16540	GEARBOX MNT	2
21	16575	BOLT 14MM-2.0 X 30MM GR8.8	14
22	16588	BOLT .50NC X 1.25 GR5 HEX FLANGE	6
23	16590	NUT, .50NC LOCK, NY. INSERT FLANGE	6
24	16869	LOCKOUT CHANNEL	1
25	16884	LOCKOUT BUSHING	1
26	17147	REAR SHIELD	1

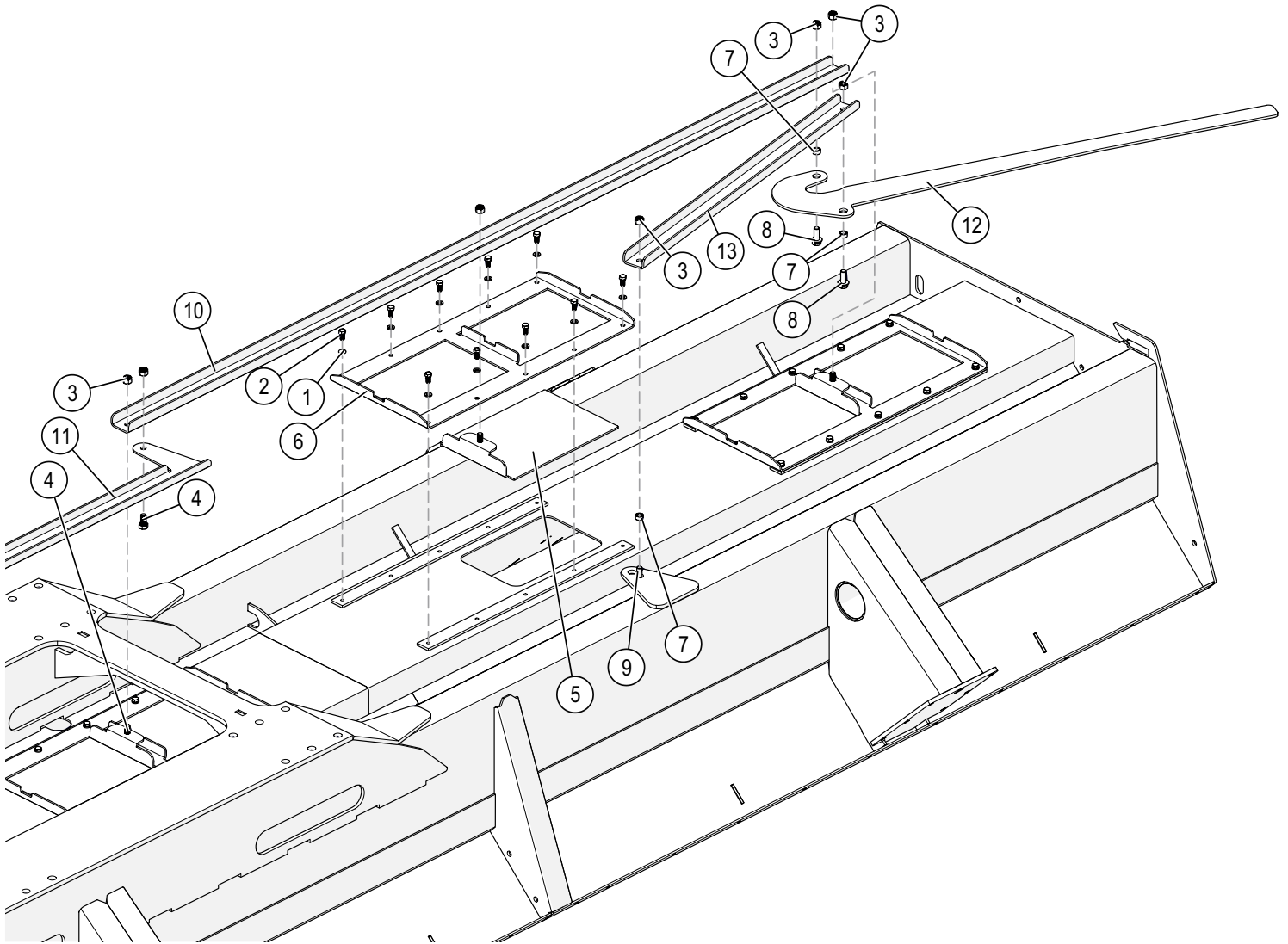
When ordering replacement parts please provide the Unit Color and Item Number



ID	ITEM NO	DESCRIPTION	QTY
1	00908	BOLT .375NC X 1.75 GR5 HEX	24
2	01235	BOLT .75NC X 2.00 GR5 HEX	4
3	02587	NUT, .625 NC NYLON LOCK	4
4	02592	NUT, .375NC NYLON LOCK	24
5	02961	NUT, .75NC LOCK NYLON INSERT	30
6	03698	BOLT .625NC X 1.75 GR5 HEX	4
7	13411	BEARING 1.75" 4-BOLT FLANGE	1
8	14700	BOLT .75NC X 2.50 GR8 HEX	26
9	16259	BOLT .375NC X 1.00 GR5 HEX FLG	3
10	16260	NUT, .375NC NYLON LOCK FLG	3
11	16388	FRONT DRAG AUGER	1
12	16473	REAR TURRET SPACER	2
13	16474	REAR TURRET SPACER	2
14	16477	HYDRAULIC BLOCK MOUNTING PLATE	1
15	16588	BOLT .50NC X 1.25 GR5 HEX FLANGE	2
16	16590	NUT, .50NC LOCK, NY. INSERT FLANGE	2
17	17079	GREASE HOSE MOUNT	1
18	17871	DA CART TONGUE 1100, 1300 & 1500	1
19	17924	1500 DA TROUGH	1
-	17919	1300 DA TROUGH	-
-	18156	1300 DA TROUGH, DUAL AXLE	-
-	17918	1100 DA TROUGH	-
-	18155	1100 DA TROUGH, DUAL AXLE	-
20	18020	RH LOWER AUGER	1
-	18110	LH LOWER AUGER	-
21	18025	FRONT BRACE	1
22	18093	FRONT TURRET SPACER	2
23	18095	FRONT TURRET CLAMP	2

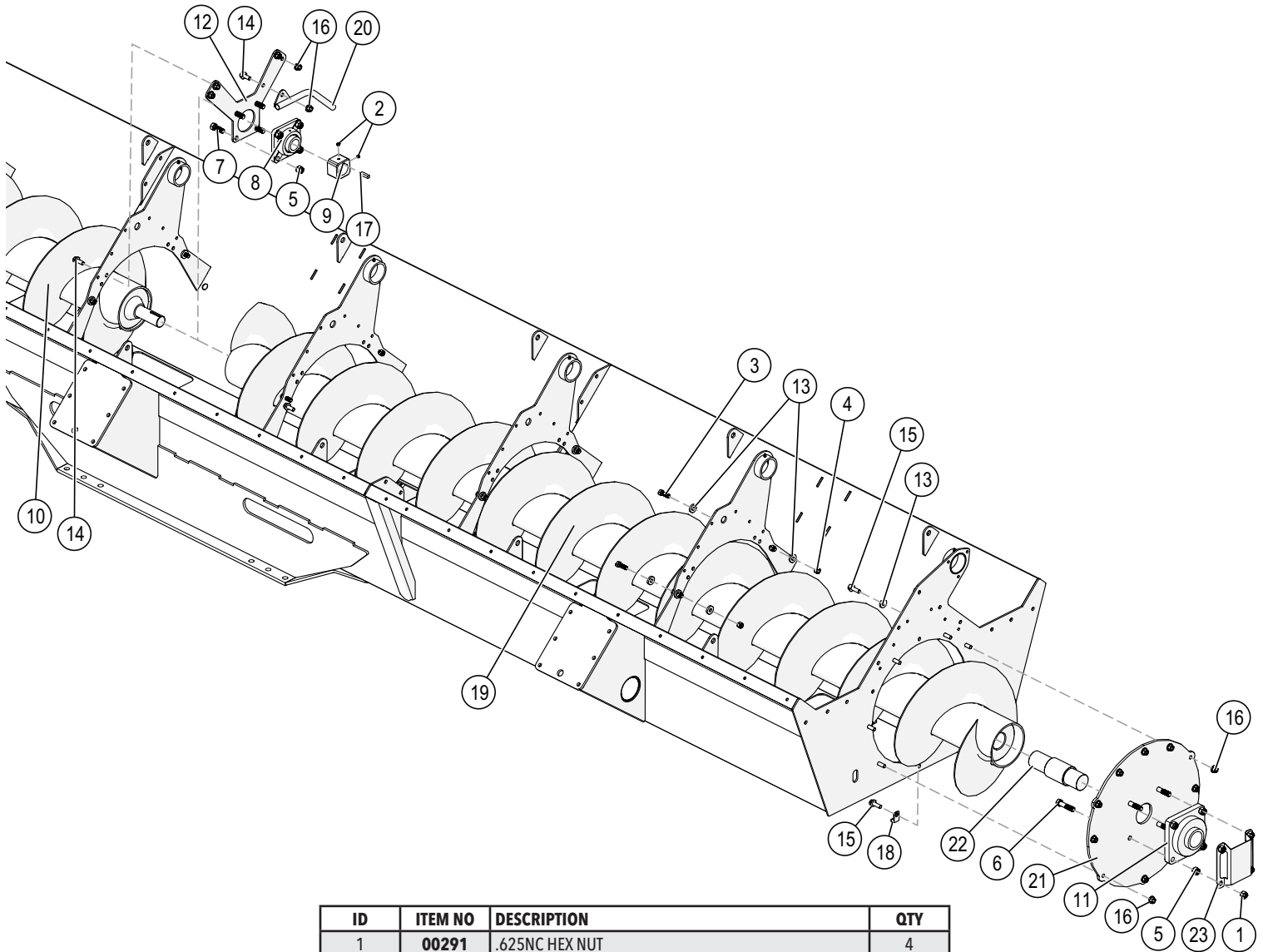
When ordering replacement parts please provide the Unit Color and Item Number

# Trough Cleanout Doors



ID	ITEM NO	DESCRIPTION	QTY
1	00060	.375 LOCK WASHER	90
2	01899	BOLT .375NC X .75 GR5 HEX	86
3	02178	NUT, .50NC LOCK, NY. INSERT	11
4	04795	BOLT .50NC X 1.00 GR5 HEX	8
5	16509	TROUGH DOOR	9
6	16510	DOOR COVER	9
7	16571	DOOR BUSHING	3
8	16588	BOLT .50NC X 1.25 GR5 HEX FLANGE	2
9	16589	BOLT .50NC X 1.50 GR5 HEX FLANGE	1
10	16962	DOOR DRIVE CHANNEL, 1500	2
-	17038	DOOR DRIVE CHANNEL, 1300	-
-	18134	DOOR DRIVE CHANNEL, 1100	-
11	16963	DOOR DRIVE CONNECTOR, 1500	1
-	17040	DOOR DRIVE CHANNEL, 1300	-
-	18136	DOOR DRIVE CHANNEL, 1100	-
12	16964	DOOR HANDLE	1
13	18033	DOOR HANDLE CHANNEL, 1500	1
-	18122	DOOR DRIVE CHANNEL, 1300	-
-	18135	DOOR DRIVE CHANNEL, 1100	-

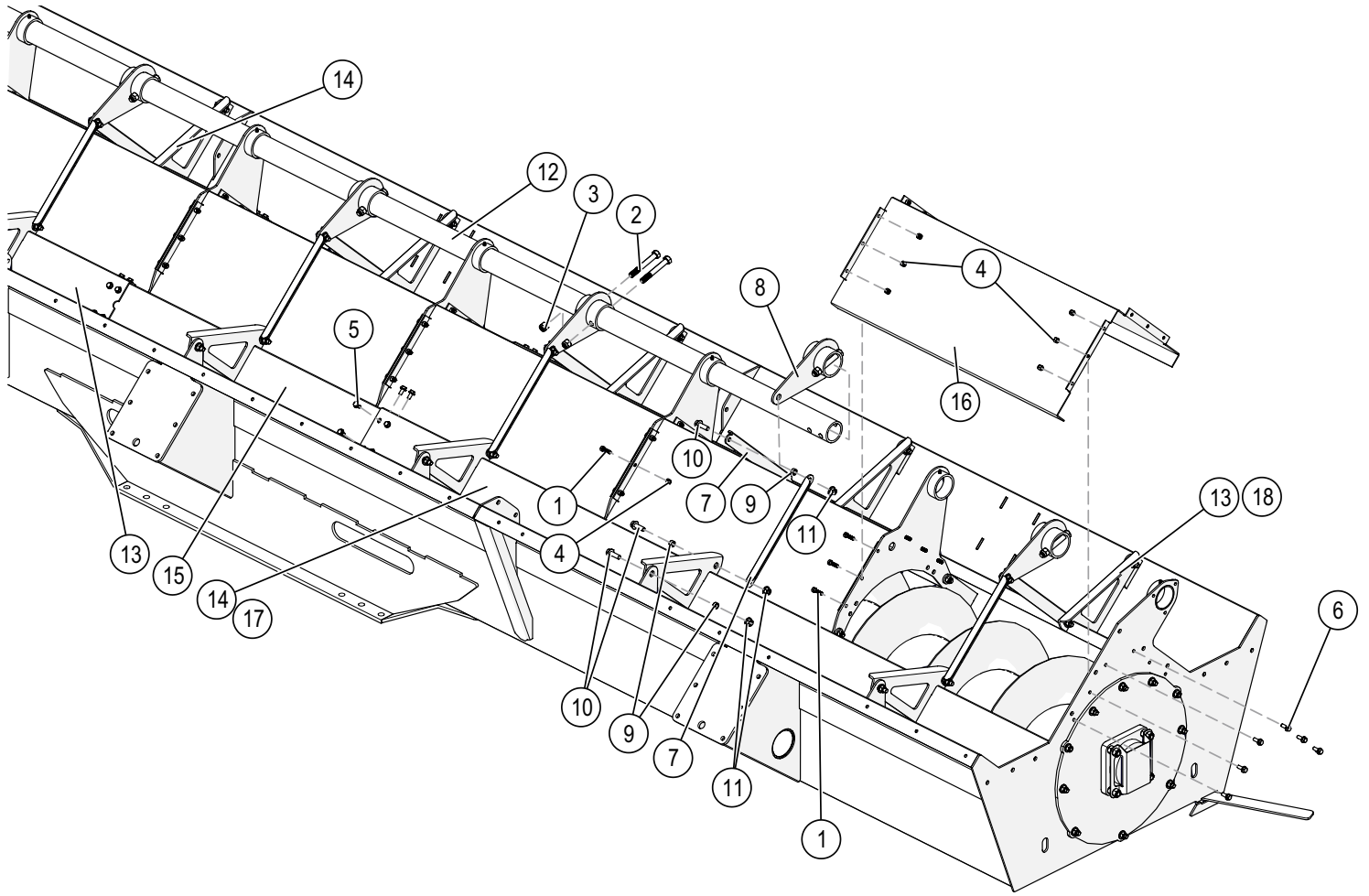
When ordering replacement parts please provide the Unit Color and Item Number



ID	ITEM NO	DESCRIPTION	QTY
1	00291	.625NC HEX NUT	4
2	00789	SET SCREW .375NC X .375 SOCKET HEAD	2
3	01254	BOLT .50NC X 1.50 GR5 HEX	12
4	02178	NUT, .50NC LOCK, NY. INSERT	12
5	02587	NUT, .625 NC NYLON LOCK	8
6	02696	BOLT .625NC X 2.75 GR5 HEX	4
7	03698	BOLT .625NC X 1.75 GR5 HEX	4
8	13411	BEARING 1.75" 4-BOLT FLANGE	1
9	15240	DRIVE BUSHING 1.75	1
10	16388	FRONT DRAG AUGER	1
11	16414	2.5" IPTCI BEARING	1
12	16470	BEARING MOUNT PLATE	1
13	16576	SUPPORT WASHER	28
14	16588	BOLT .50NC X 1.25 GR5 HEX FLANGE	5
15	16589	BOLT .50NC X 1.50 GR5 HEX FLANGE	12
16	16590	NUT, .50NC LOCK, NY. INSERT FLANGE	17
17	16604	KEY .375 X .375 X 1.50	1
18	16611	CABLE CLAMP COATED .438 X .5 HOLE	1
19	16705	REAR DRAG AUGER (1500)	1
-	15937	REAR DRAG AUGER (1300)	-
-	16375	REAR DRAG AUGER (1100)	-
20	16986	GREASE TUBE GUARD	1
21	17252	REAR ACCESS PLATE	1
22	17253	REAR AUGER SPINDLE	1
23	17254	BEARING COVER	1

When ordering replacement parts please provide the Unit Color and Item Number

# Door Opener and Drag Auger Shields - 1500, 1300, 1100

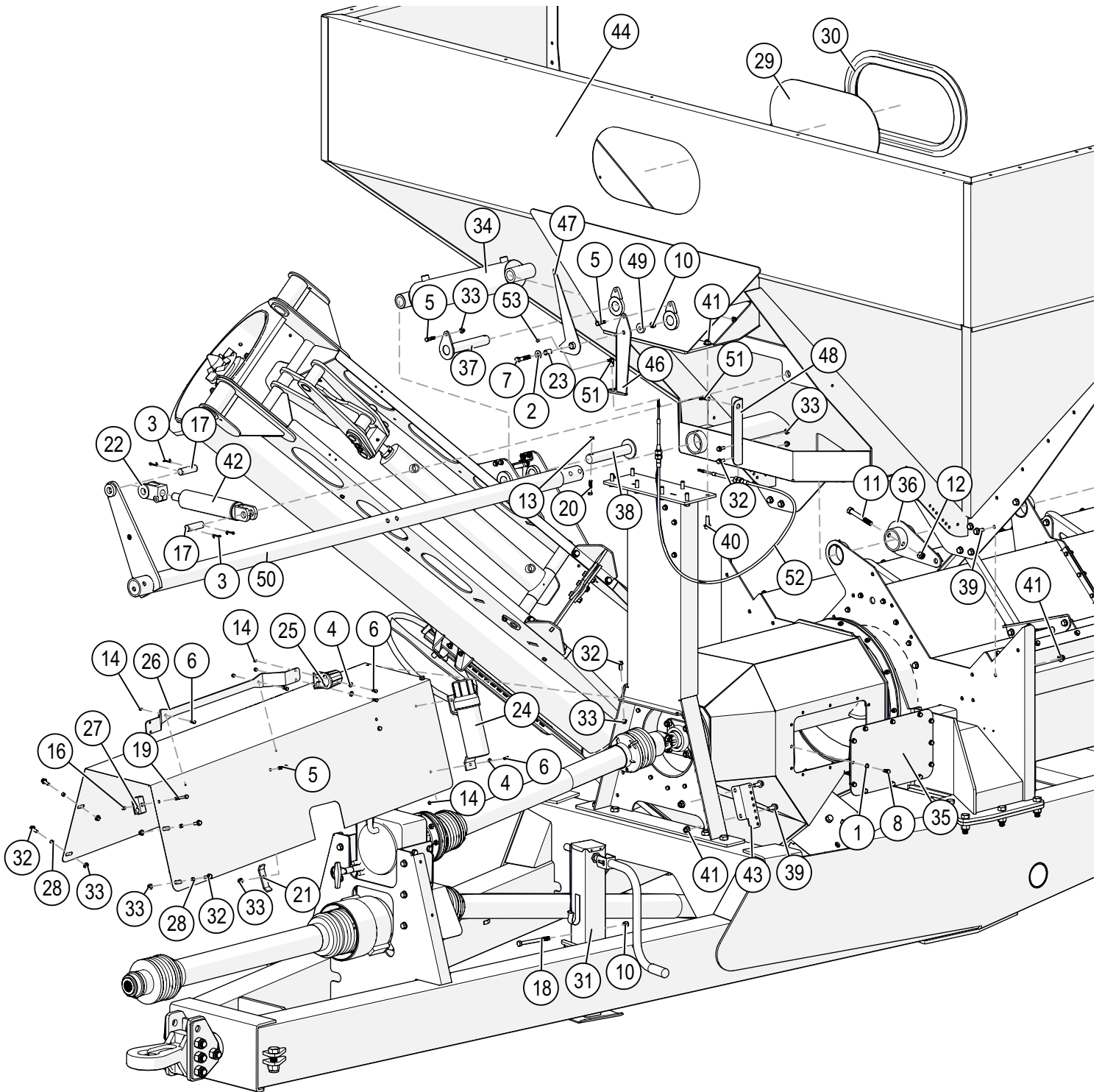


ID	ITEM NO	DESCRIPTION	QTY
1	00523	BOLT .375NC X 1.25 GR5 HEX	36
2	02434	BOLT, .625NC X 4.50 HEX HEAD GR.5	14
3	02587	NUT, .625 NC NYLON LOCK	14
4	02592	NUT, .375NC NYLON LOCK	48
5	16258	BOLT .375NC X .75 GR5 HEX FLG	24
6	16259	BOLT .375NC X 1.00 GR5 HEX FLG	12
7	16520	LIFT ROD	14   12   10
8	16537	DOOR LEVER	7   6   5
9	16571	DOOR BUSHING	35
10	16589	BOLT .50NC X 1.50 GR5 HEX FLANGE	35
11	16590	NUT, .50NC LOCK, NY. INSERT FLANGE	35
12	16945	DOOR DRIVE TUBE CENTER, 1500	1
-	17041	DOOR DRIVE TUBE CENTER, 1300	-
-	18133	DOOR DRIVE TUBE CENTER, 1100	-
13	16973	FLOW DOOR 1, 1500	2
-	16533	FLOW DOOR 2, 1300	2
-	16533	FLOW DOOR 2, 1100	1
14	16974	FLOW DOOR 2, 1500	2
-	16532	FLOW DOOR 1, 1300	2
-	16532	FLOW DOOR 1, 1100	1
15	16975	FLOW DOOR CENTER (1500)	2
-	16453	FLOW DOOR CENTER (1100 & 1300)	-
16	18034	AUGER COVER	7   6   5
17	16552	FLOW DOOR 3, 1100	1
18	16553	FLOW DOOR 4, 1100	1

When ordering replacement parts please provide the Unit Color and Item Number

When ordering replacement parts please provide the Unit Color and Item Number

# Front Section Assembly

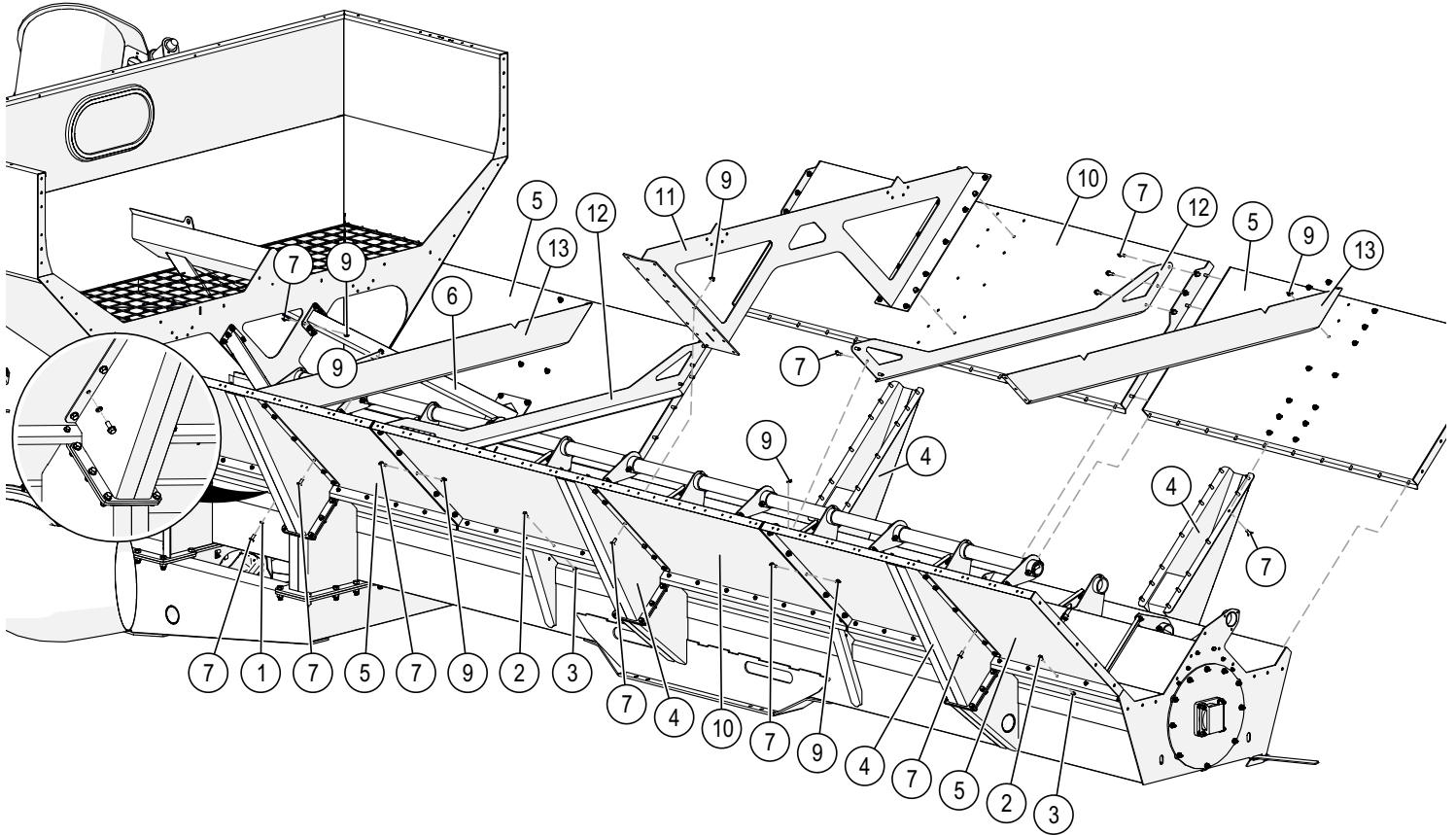


When ordering replacement parts please provide the Unit Color and Item Number

ID	ITEM NO	DESCRIPTION	QTY
1	00060	.375 LOCK WASHER	12
2	00085	.50 FLAT WASHER	1
3	00116	COTTER PIN, .156 X 1.50	4
4	00214	WASHER, FLAT, .25	3
5	00914	BOLT .375NC X 1.50 GR5 HEX	4
6	01076	BOLT .25NC X .75 GR5 HEX	6
7	01264	BOLT .50NC X 2.50 GR5 HEX	1
8	01899	BOLT .375NC X .75 GR5 HEX	12
10	02178	NUT, .50NC LOCK, NY. INSERT	3
11	02434	BOLT, .625NC X 4.50 HEX HEAD GR.5	2
12	02587	NUT, .625 NC NYLON LOCK	2
13	02592	NUT, .375NC NYLON LOCK	1
14	02772	NUT, .25NC LOCK NYLON INSERT	6
16	02802	NUT, .313 NC NYLON LOCK	1
17	03738-95	CYLINDER PIN	2
18	04053	BOLT .50NC X 5.50 GR5 HEX	2
19	04221	BOLT .313NC X 2.50 GR5 HEX	1
20	04226	BOLT .375NC X 2.00 GR5 HEX	1
21	09217	HOSE KEEPER 4 HOSE	2
22	09741	CYLINDER CLEVIS	1
23	09904	SLEEVE	1
24	10241	CANISTER	1
25	10277	ELECTRICAL PLUG HOLDER	1
26	13501	HOSE WRAP BRACKET	1
27	13503	CLAMP, HYD HOSE, 1/2" 2 PLACE	1
28	13668	BUSHING	4
29	14361	WINDOW GRAVITY FLOW BOX	1
30	14362	WINDOW GASKET SEAL	1
31	16243	AG JACK, WELDED	1
32	16259	BOLT .375NC X 1.00 GR5 HEX FLG	8
33	16260	NUT, .375NC NYLON LOCK FLG	12
34	16405	CYLINDER 4" X 12" STROKE	1
35	16475	ACCESS DOOR	1
36	16537	DOOR LEVER	1
37	16542-95	CYL PIN	1
38	16544-95	PIN, CYL	1
39	16588	BOLT .50NC X 1.25 GR5 HEX FLANGE	17
40	16589	BOLT .50NC X 1.50 GR5 HEX FLANGE	8
41	16590	NUT, .50NC LOCK, NY. INSERT FLANGE	25
42	16757	HYD. CYLINDER 2.5" X 8.00" STROKE	1
43	17079	GREASE HOSE MOUNT	1
44	18013	1100, 1300, 1500 DA FRONT POD	1
45	18044	PTO SHIELD	1
46	18067	DOOR POINTER BRACKET	1
47	18068	DOOR POINTER	1
48	18097	CABLE BRACKET	1
49	18098	POINTER BRACKET WASHER	1
50	18104	DOOR DRIVE END W/ INSERT	1
51	18105	BALL JOINT LINKAGE	2
52	18106	PUSH/PULL CONTROL CABLE	1
53	18107	NUT, .25NF LOCK NYLON INSERT	1

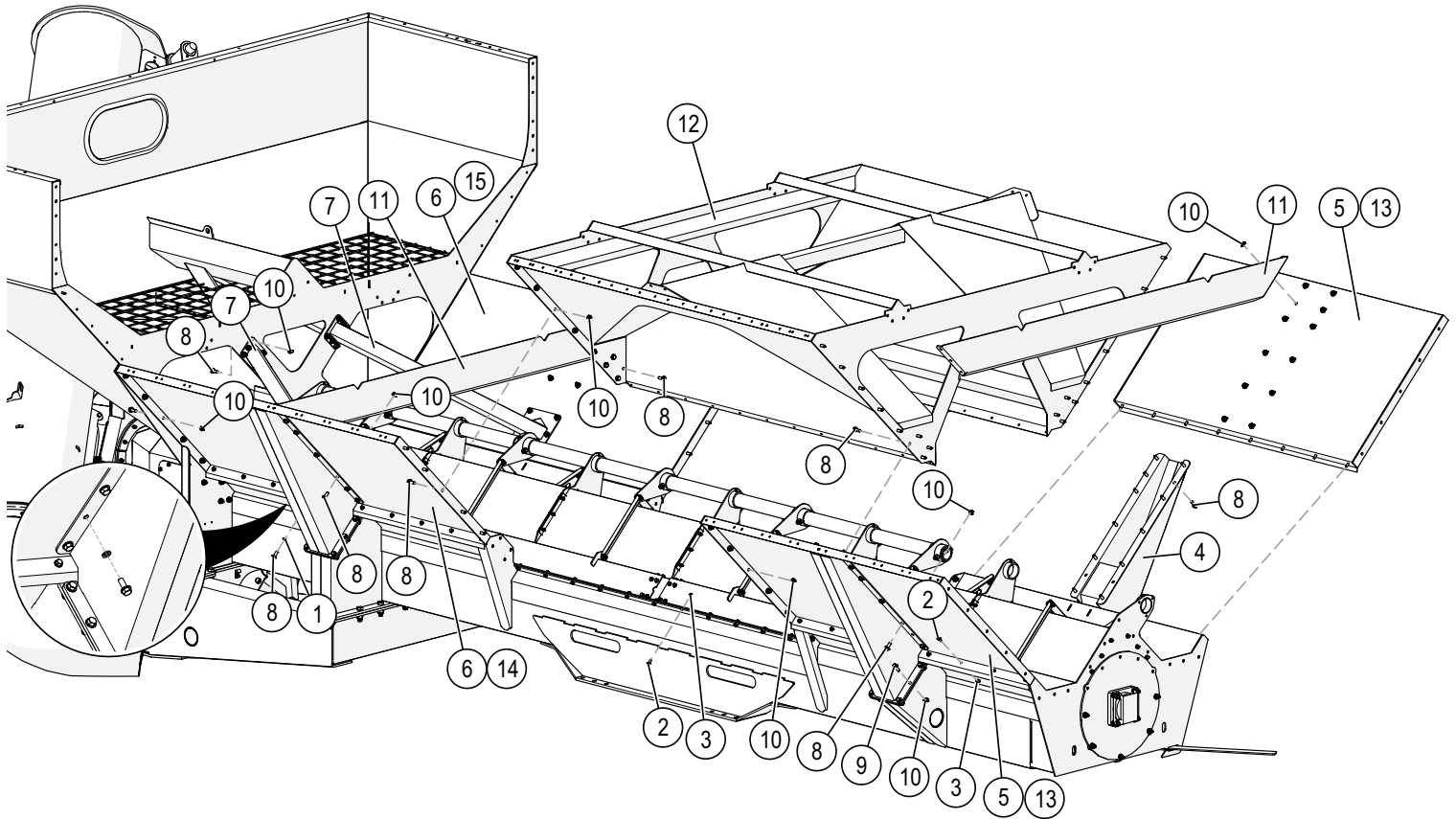
When ordering replacement parts please provide the Unit Color and Item Number

# Lower Panels and Braces Assembly - 1500



ID	ITEM NO	DESCRIPTION	QTY
1	00084	.50 LOCK WASHER	2
2	16259	BOLT .375NC X 1.00 GR5 HEX FLG	68
3	16260	NUT, .375NC NYLON LOCK FLG	68
4	16476	SIDE SUPPORT	6
5	16481	SLOPE PANEL	4
6	16534	FRONT TANK BRACE	2
7	16588	BOLT .50NC X 1.25 GR5 HEX FLANGE	138
8	16589	BOLT .50NC X 1.50 GR5 HEX FLANGE	36
9	16590	NUT, .50NC LOCK, NY. INSERT FLANGE	172
10	18015	LOWER MID SHEET 1500DA	2
11	18016	MID SUPPORT 1500 DA	1
12	18040	CENTER WEB PLATE 1500	2
13	18041	CROSS BRACE	2

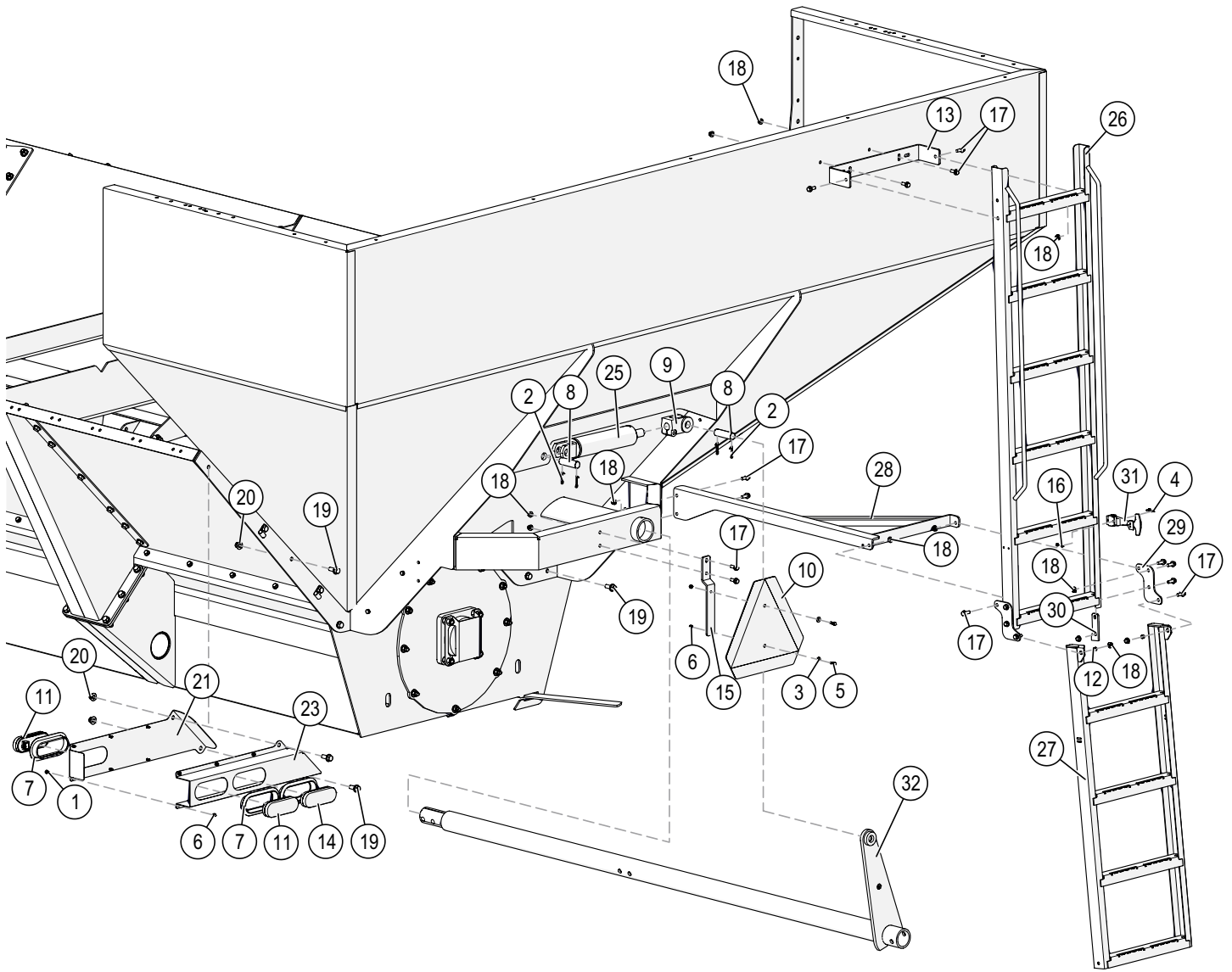
When ordering replacement parts please provide the Unit Color and Item Number



ID	ITEM NO	DESCRIPTION	QTY
1	00084	.50 LOCK WASHER	2
2	16259	BOLT .375NC X 1.00 GR5 HEX FLG	60
3	16260	NUT, .375NC NYLON LOCK FLG	60
4	16476	SIDE SUPPORT	4
5	16480	REAR SLOPE PANEL (1300)	2
6	16481	SLOPE PANEL (1300)	2
7	16534	FRONT TANK BRACE	2
8	16588	BOLT .50NC X 1.25 GR5 HEX FLANGE	110
9	16589	BOLT .50NC X 1.50 GR5 HEX FLANGE	24
10	16590	NUT, .50NC LOCK, NY. INSERT FLANGE	132
11	18041	CROSS BRACE	2
12	18124	CENTER FENDER TANK	1
13	16486	REAR SLOPE PANEL (1100)	2
14	16558	LH SLOPE PANEL (1100)	1
15	16559	RH SLOPE PANEL (1100)	1

When ordering replacement parts please provide the Unit Color and Item Number

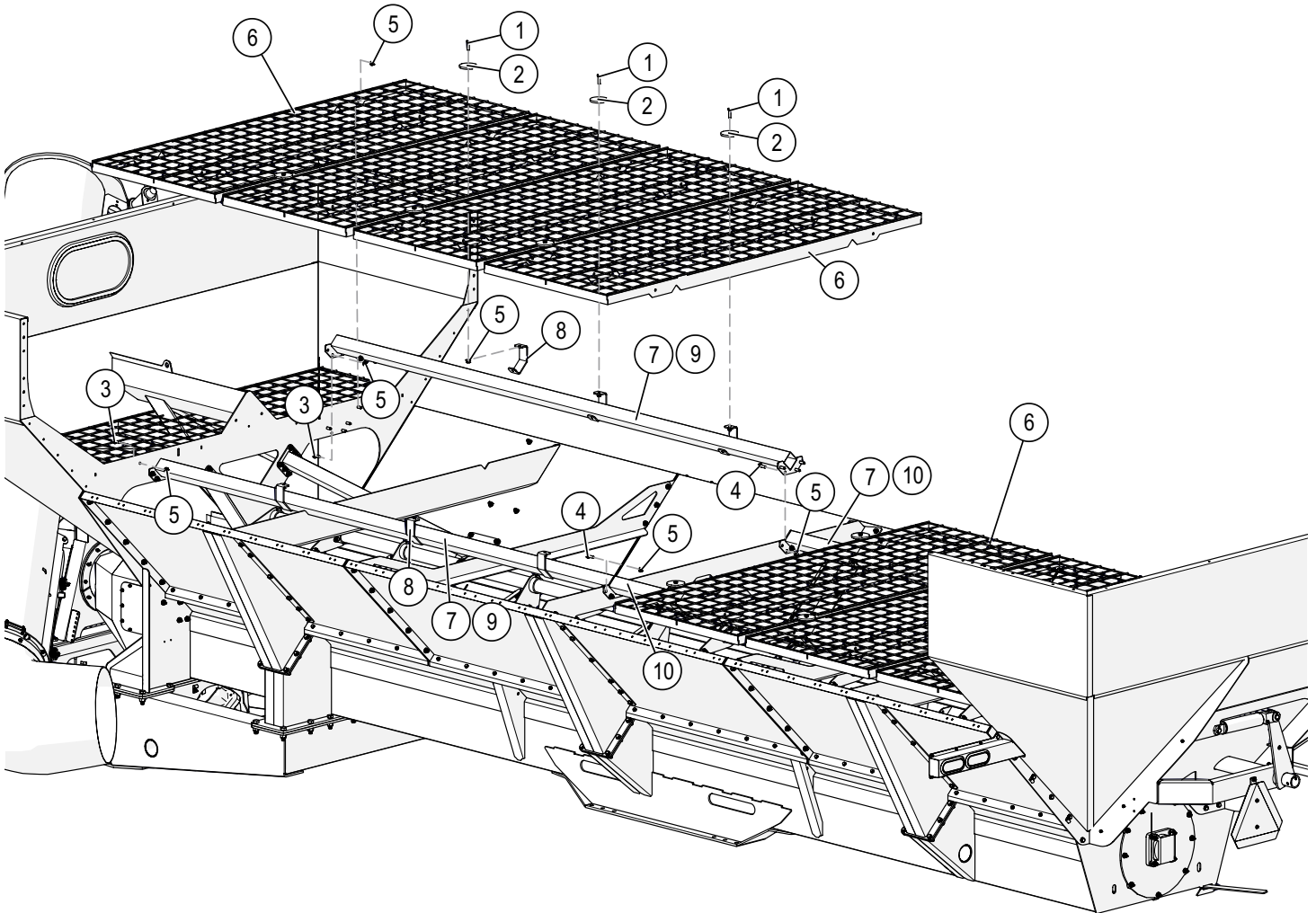
# Rear Section Assembly



ID	ITEM NO	DESCRIPTION	QTY
1	00092	BOLT .25NC X .50 GR5 HEX	12
2	00116	COTTER PIN, .156 X 1.50	4
3	00214	WASHER, FLAT, .25	2
4	00562	SLOTTED PAN SCREW #8-32 X .50	4
5	01076	BOLT .25NC X .75 GR5 HEX	2
6	02772	NUT, .25NC LOCK NYLON INSERT	14
7	03652	GROMMET RUBBER OVAL	6
8	03738	CYLINDER PIN	2
9	09741	CYLINDER CLEVIS	1
10	12126	SMV SIGN	1
11	12249	LIGHT, SEALED OVAL S/T/T LAMP	4
12	13668	BUSHING F/COMMANDER ADAPTORS	2
13	14922	UPPER LADDER BRACKET F/1252 GC	1
14	14923	LED LIGHT, SEALED RED LAMP	2
15	14952	SMV HOLDER	1
16	16056	NUT #8-32 NYLON INSERT	2
17	16259	BOLT .375NC X 1.00 GR5 HEX FLG	16
18	16260	NUT, .375NC NYLON LOCK FLG	16

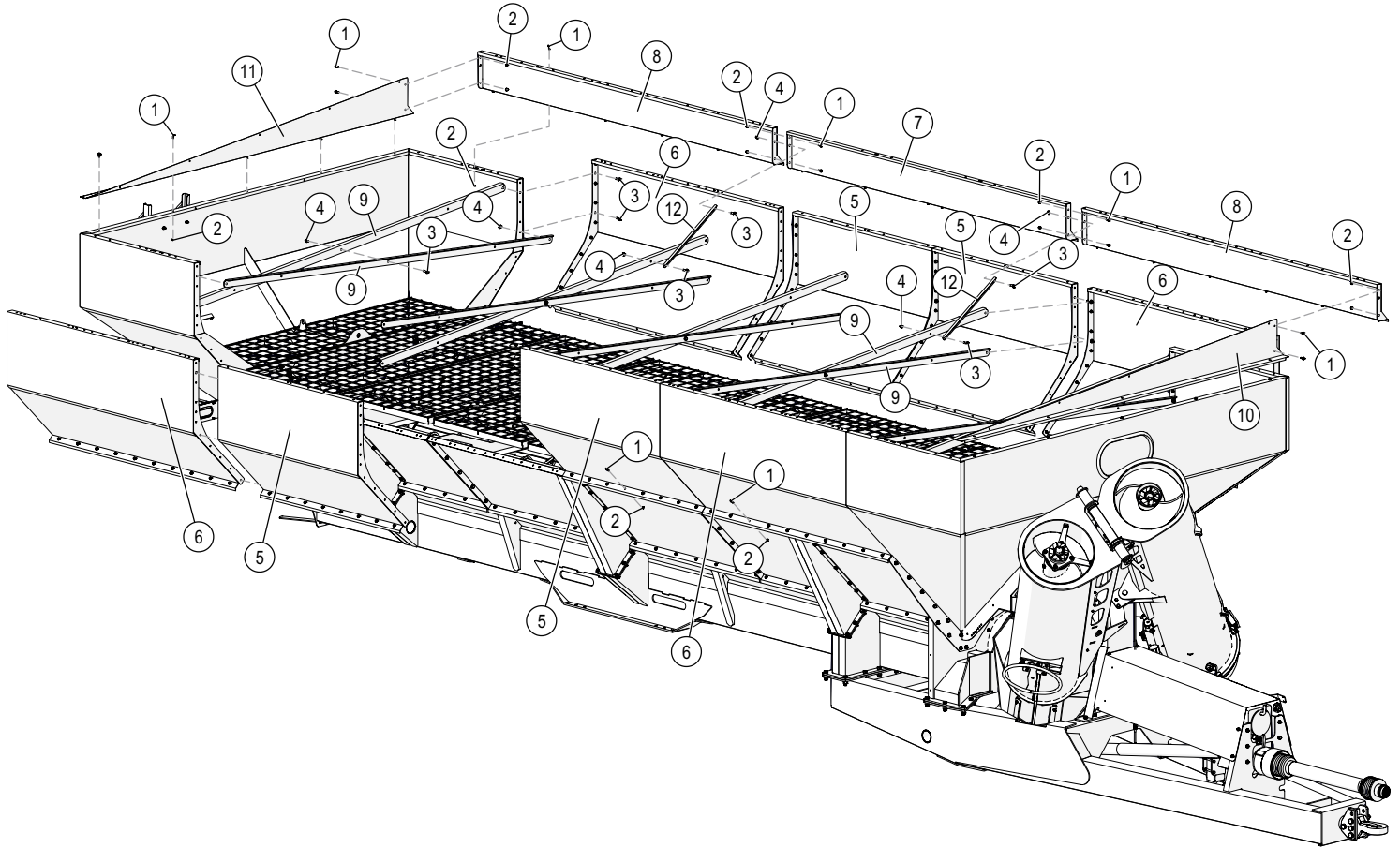
ID	ITEM NO	DESCRIPTION	QTY
19	16588	BOLT .50NC X 1.25 GR5 HEX FLANGE	21
20	16590	NUT, .50NC LOCK, NY. INSERT FLANGE	21
21	16638	LEFT LIGHT MOUNT	1
22	16639	RIGHT LIGHT MOUNT (NOT SHOWN)	1
23	16640	LEFT LIGHT COVER	1
24	16641	RIGHT LIGHT COVER (NOT SHOWN)	1
25	16757	HYD. CYLINDER 2.5" X 8.00" STROKE	1
26	18030	DRAG AUGER GC UPPER LADDER	1
27	18031	DRAG AUGER GC LOWER LADDER	1
28	18032	LADDER BRACE	1
29	18039	LADDER MOUNT	2
30	18042	LADDER STOP	2
31	18088	WEATHER-RESISTANT DRAW LATCH	1
32	18104	DOOR DRIVE END W/ INSERT	1

When ordering replacement parts please provide the Unit Color and Item Number



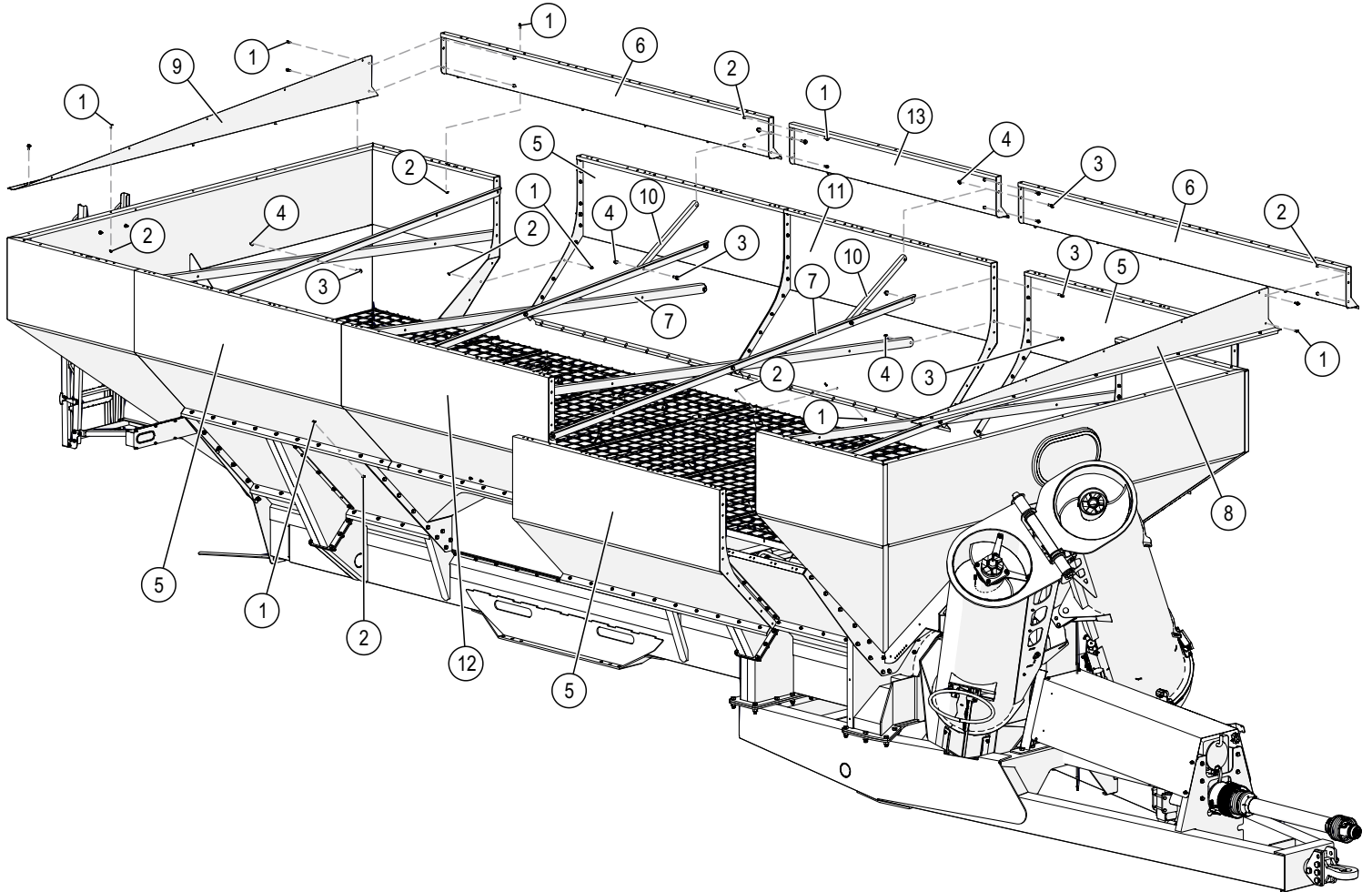
ID	ITEM NO	DESCRIPTION	QTY
1	00482	BOLT .50NC X 1.75 GR5 HEX	12
2	16522	WASHER 4 X .5	12   10   8
3	16588	BOLT .50NC X 1.25 GR5 HEX FLANGE	20
4	16589	BOLT .50NC X 1.50 GR5 HEX FLANGE	8
5	16590	NUT, .50NC LOCK, NY. INSERT FLANGE	40
6	18017	MESH PANEL	7   6   5
7	18018	MESH SUPPORT 1500	4
8	18072	MESH HOOK	12   6   4
-	18123	FENDER MESH HOOK	0   4   4
9	18117	MESH SUPPORT FRONT 1300	2
-	18128	MESH SUPPORT FRONT 1100	-
10	18118	MESH SUPPORT REAR 1300	2
-	18129	MESH SUPPORT REAR 1100	-

When ordering replacement parts please provide the Unit Color and Item Number



ID	ITEM NO	DESCRIPTION	QTY
1	16259	BOLT .375NC X 1.00 GR5 HEX FLG	198
2	16260	NUT, .375NC NYLON LOCK FLG	198
3	16589	BOLT .50NC X 1.50 GR5 HEX FLANGE	29
4	16590	NUT, .50NC LOCK, NY. INSERT FLANGE	29
5	18026	RIGHT SIDE PANEL ASSEMBLY	4
6	18027	RIGHT SIDE PANEL ASSEMBLY	4
7	18028	LH EXTENSION CENTER 1500	1
8	18029	LH EXTENSION	2
9	18035	CROSS BRACE	10
10	18036	FRONT EXTENSION	1
11	18037	REAR EXTENSION	1
12	18038	EXTENSION BRACE	2

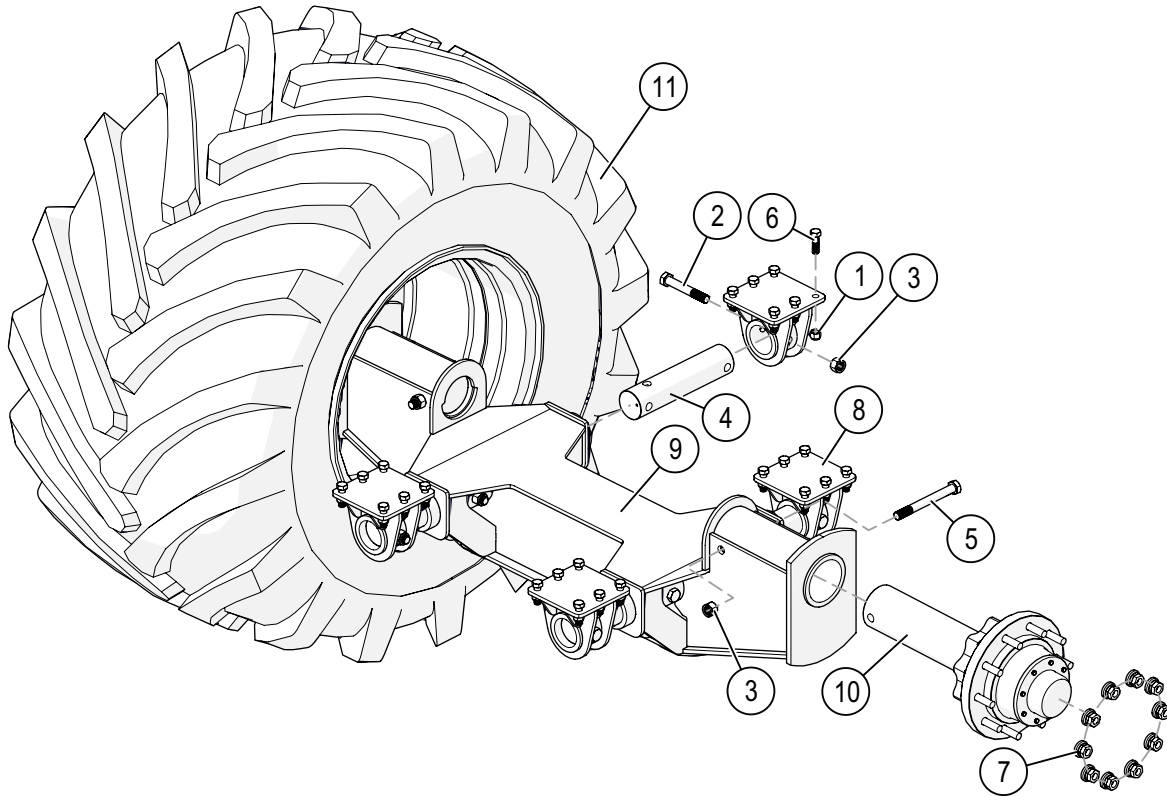
When ordering replacement parts please provide the Unit Color and Item Number



ID	ITEM NO	DESCRIPTION	QTY
1	16259	BOLT .375NC X 1.00 GR5 HEX FLG	170
2	16260	NUT, .375NC NYLON LOCK FLG	168
3	16589	BOLT .50NC X 1.50 GR5 HEX FLANGE	23
4	16590	NUT, .50NC LOCK, NY. INSERT FLANGE	23
5	18027	SIDE PANEL ASSEMBLY (1300)	4
-	18130	SIDE PANEL ASSEMBLY (1100)	-
6	18029	LH EXTENSION (1300)	2
-	18137	LH EXTENSION (1100)	-
7	18035	CROSS BRACE	8
8	18036	FRONT EXTENSION	1
9	18037	REAR EXTENSION	1
10	18038	EXTENSION BRACE	2
11	18119	LEFT SIDE PANEL CENTER ASSEMBLY (1300)	1
-	18132	LEFT SIDE PANEL CENTER ASSEMBLY (1100)	-
12	18120	RIGHT SIDE PANEL CENTER ASSEMBLY (1300)	1
-	18131	RIGHT SIDE PANEL CENTER ASSEMBLY (1100)	-
13	18121	LH EXTENSION CENTER (1300)	1
-	18138	LH EXTENSION CENTER (1100)	-

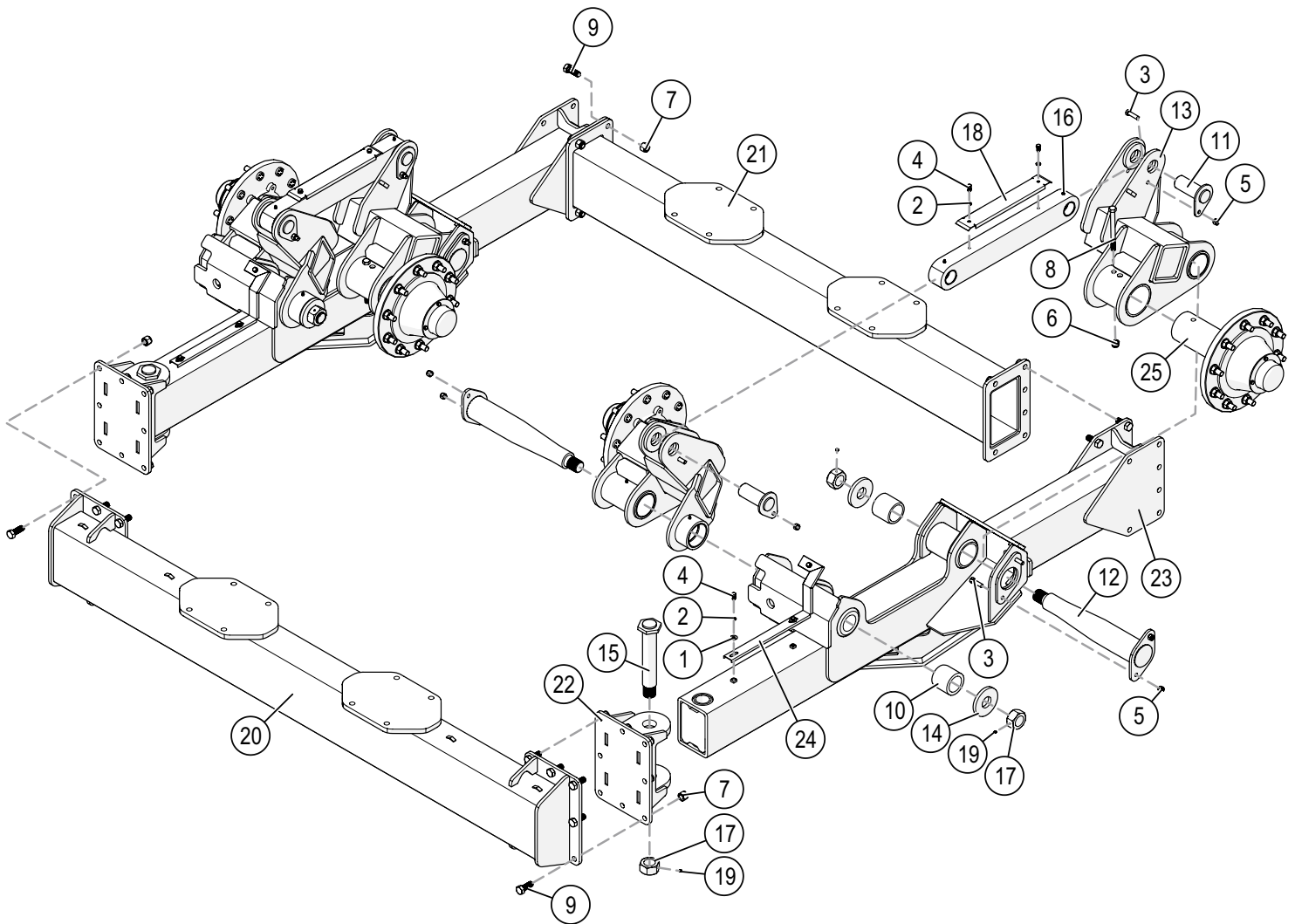
When ordering replacement parts please provide the Unit Color and Item Number

# Single Axle, 1100 & 1300



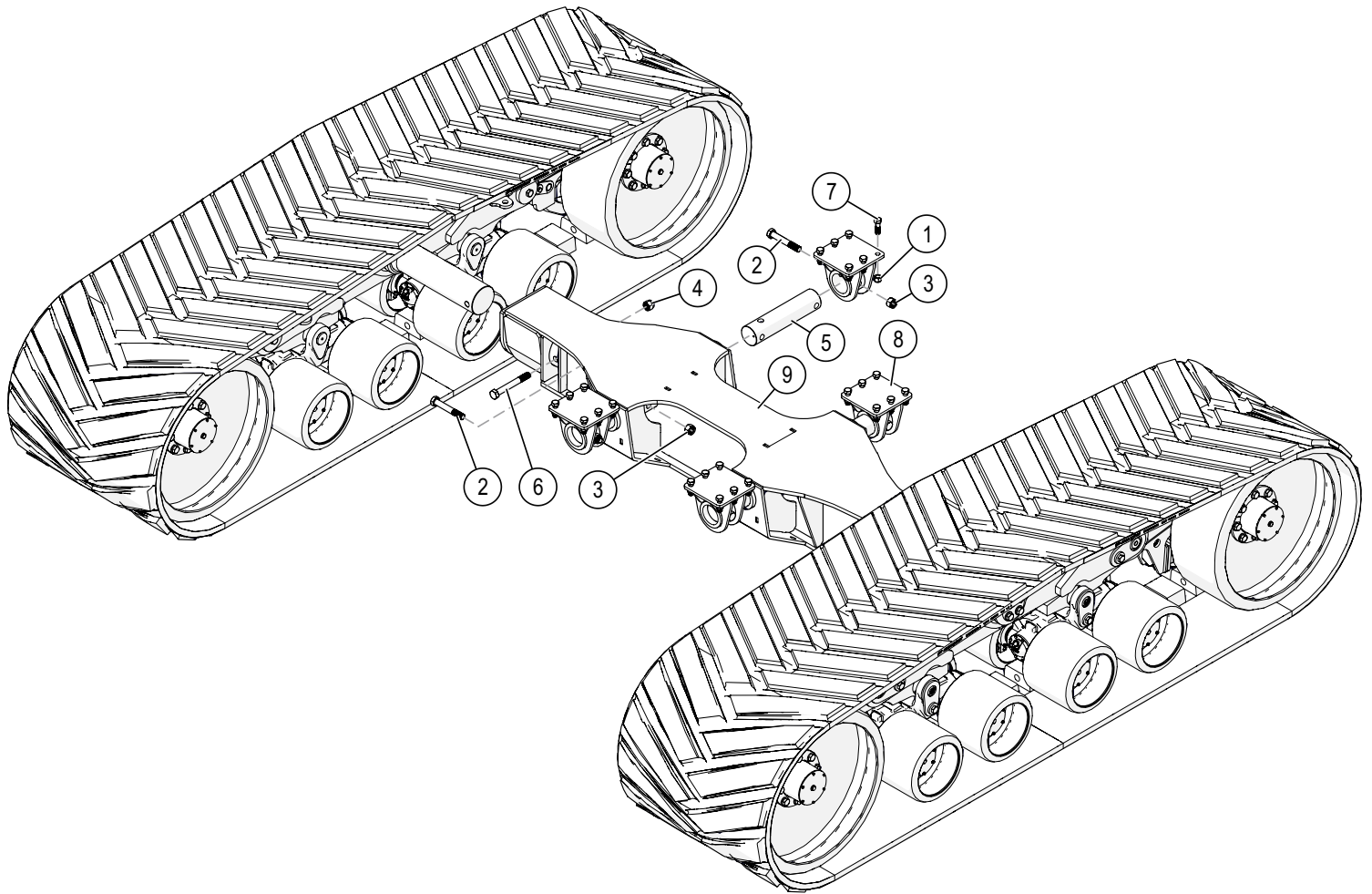
ID	Item No	Description	Qty
1	02961	.75NC NYLON INSERT LOCK NUT	24
2	09454	BOLT 1.0NF X 6.50 GR8 HEX	8
3	09455	NUT, 1.0NF NYLON INSERT HEX	10
4	13983	SCALE HITCH WEIGHBAR, 3.725"	4
5	14029	BOLT 1.0NF X 9.50 GR8 HEX	2
6	14700	BOLT .75NC X 2.50 GR8 HEX	24
7	15830	WHEEL NUT 22MM LOCKING	20
8	16424	WEIGHBAR MOUNT	4
9	16425	SINGLE AXLE	1
10	35754-30	35K 10 BOLT HUB & SPINDLE (NON-SCALE)	2
	35873-30	50K 20 BOLT HUB & SPINDLE (NON-SCALE)	-
11	9445230-60	1050/50R32 WHEEL/TIRE	2
-	9445236-60	1250/50R32 WHEEL/TIRE	-

When ordering replacement parts please provide the Unit Color and Item Number



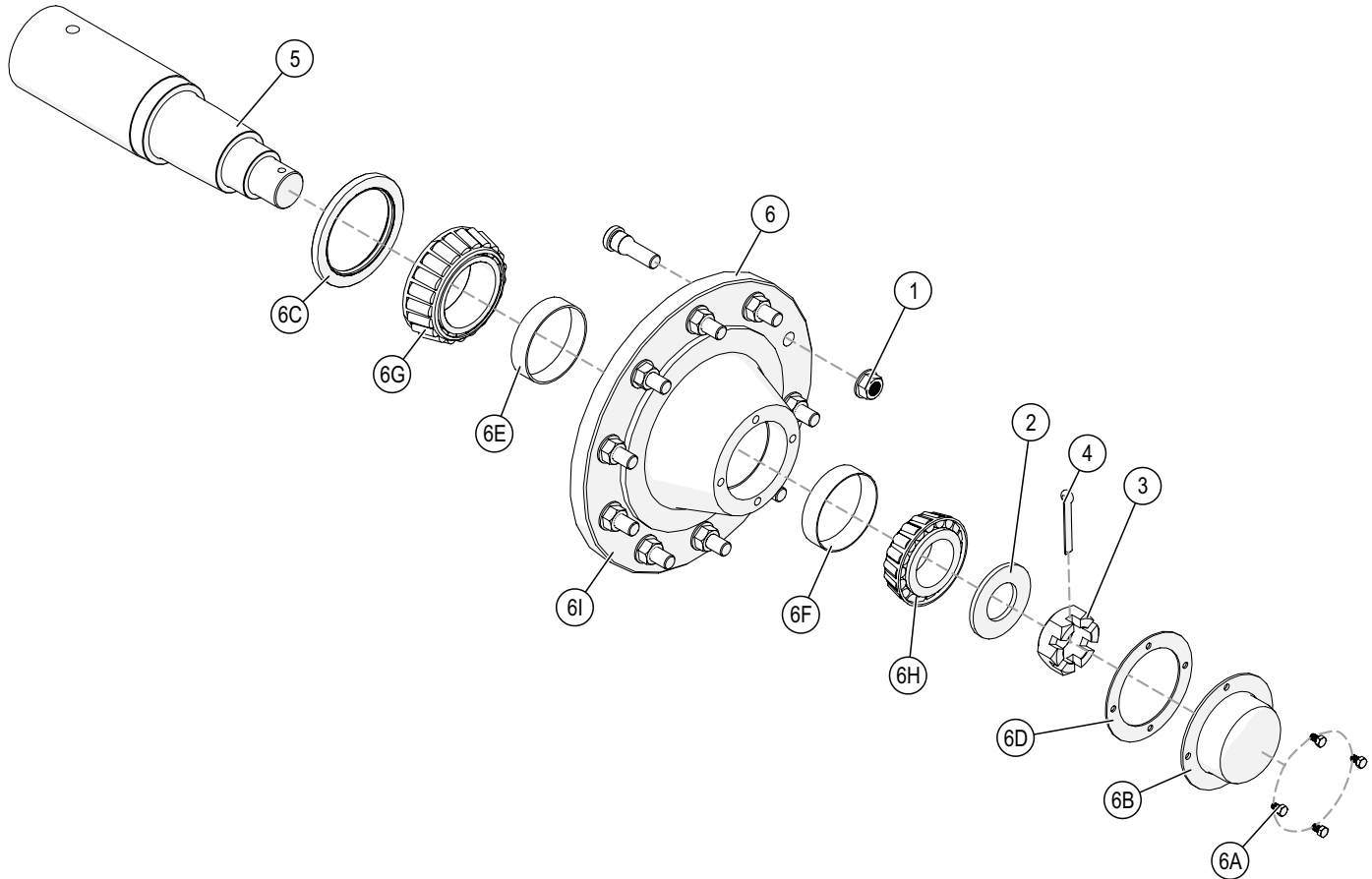
ID	Item No	Description	Qty
1	00059	WASHER, FLAT .375	4
2	00060	.375 LOCK WASHER	10
3	00482	BOLT .50NC X 1.75 GR5 HEX	12
4	01899	BOLT .375NC X .75 GR5 HEX	10
5	02178	NUT, .50NC LOCK, NY. INSERT	12
6	02587	NUT, .625 NC NYLON LOCK	4
7	02961	.75NC NYLON INSERT LOCK NUT	26
8	04836	HEX BOLT .625NC X 7.00	4
9	11097	BOLT .75NC X 2.00 GR8 HEX	26
10	13331	AXLE BUSHING	4
11	13335	TOP LINK PIN	4
12	13336	TAPER PIN	4
13	13338	A-ARM FOR 1400 DUALS	4
14	13371	WASHER	4
15	13375	PIVOT PIN ASSEMBLY	2
16	13376	CONNECTOR LINK ASSEMBLY	2
17	13439	1 3/4-12NF HEX NUT W/ SET SCREW HOLE	6
18	13493	UPPER WIRE COVER F/ AXLE	2
19	13521	SET SCREW .25NC X .375 SOCKET CUP POINT	6
20	17221	FRONT CROSS TUBE	1
21	17222	REAR CROSS AXLE ASSEMBLY	1
22	17223	AXLE PIVOT ASSEMBLY	2
23	17224	ROCKER BASE	2
24	17251	FRONT WIRE COVER	2
25	35752	HUB & SPINDLE F/ 1400 GC	4

When ordering replacement parts please provide the Unit Color and Item Number



ID	ITEM NO	DESCRIPTION	QTY
1	02961	NUT, .75NC LOCK NYLON INSERT	24
2	09454	BOLT 1.0NF X 6.50 GR8 HEX	8
3	09455	NUT, 1.0NF NYLON INSERT HEX	8
4	12477	1"-8 UNC NYLON INSERT NUT	2
5	13983	SCALE HITCH WEIGHBAR, 3.725"	4
6	14496	BOLT 1.0NC X 8.00 GR5 HEX	2
7	14700	BOLT .75NC X 2.50 GR8 HEX	24
8	16424	WEIGHBAR MOUNT	4
9	17814	AXLE 4 BOGIE DA, CAMSO	1
10	-	TRACK CARRIAGE KIT	1

When ordering replacement parts please provide the Unit Color and Item Number

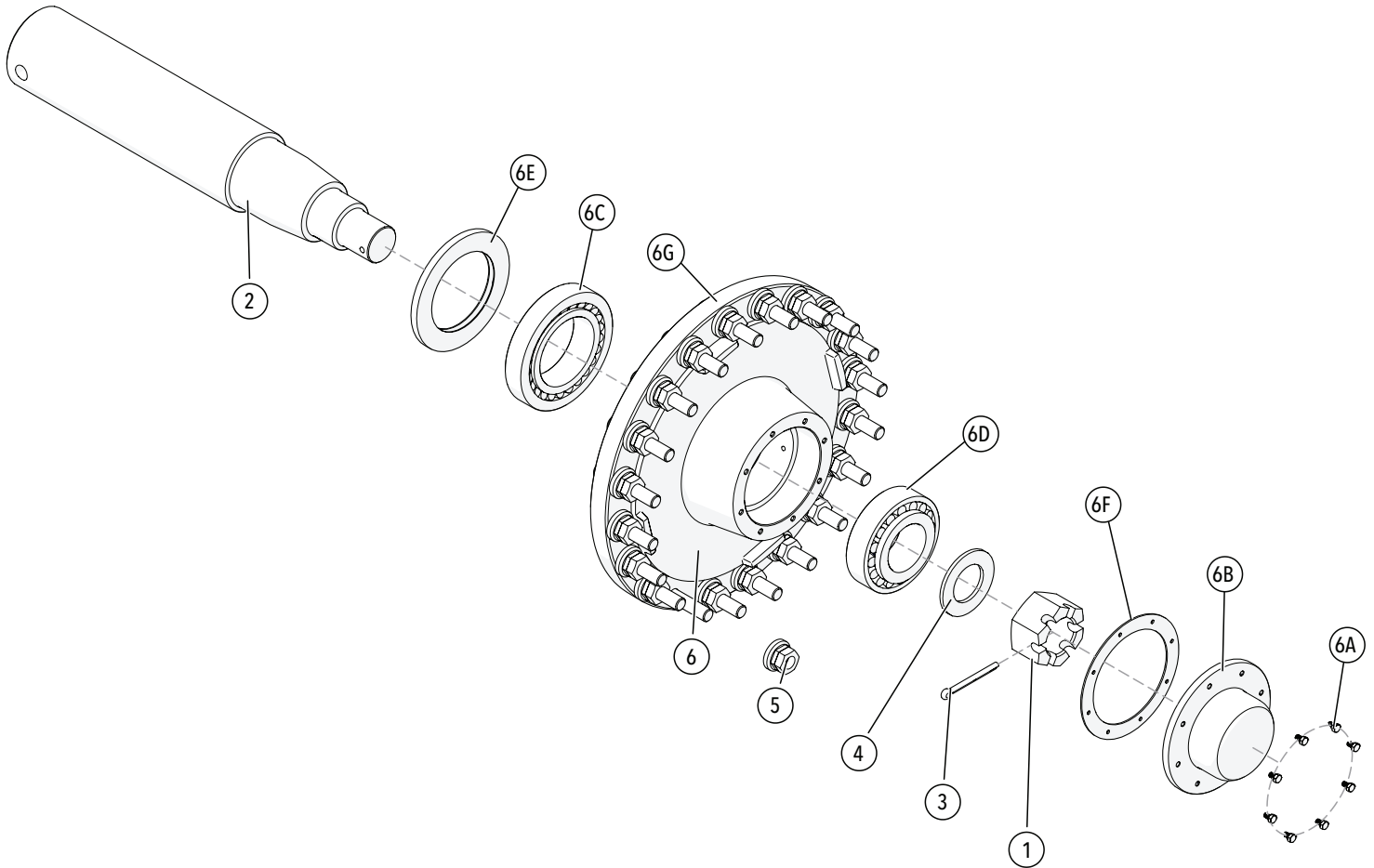


ID	Item No	Description	Qty
1	07435	3/4" UNF WHEEL NUT	10
2	09444	HUB/ SPINDLE WASHER	1
3	09445	NUT 2.0 NF SLOTTED HEX	1
4	09446	.375" X 3.0" COTTER PIN	1
5	11994	SPINDLE, 4.5" GRAIN CART	1
6	6063	HUB ASSEMBLY 10-BOLT W/TIMKEN	1
6A	04305	BOLT, 5/16NC X .50 GR5 HEX	4
6B	09451	DUST CAP	1
6C	09452	OIL SEAL	1
6D	09532	HUB CAP GASKET	1
6E	14584	CUP INNER F/881 HUB, TIMKEN	1
6F	14585	CUP OUTER F/ 881, TIMKEN	1
6G	14586	INNER CONE BEARING, TIMKEN	1
6H	14587	OUTER CONE BEARING, TIMKEN	1
6I	14588	10-BOLT HUB #881 W/TIMKEN CUPS	1

When ordering replacement parts please provide the Unit Color and Item Number

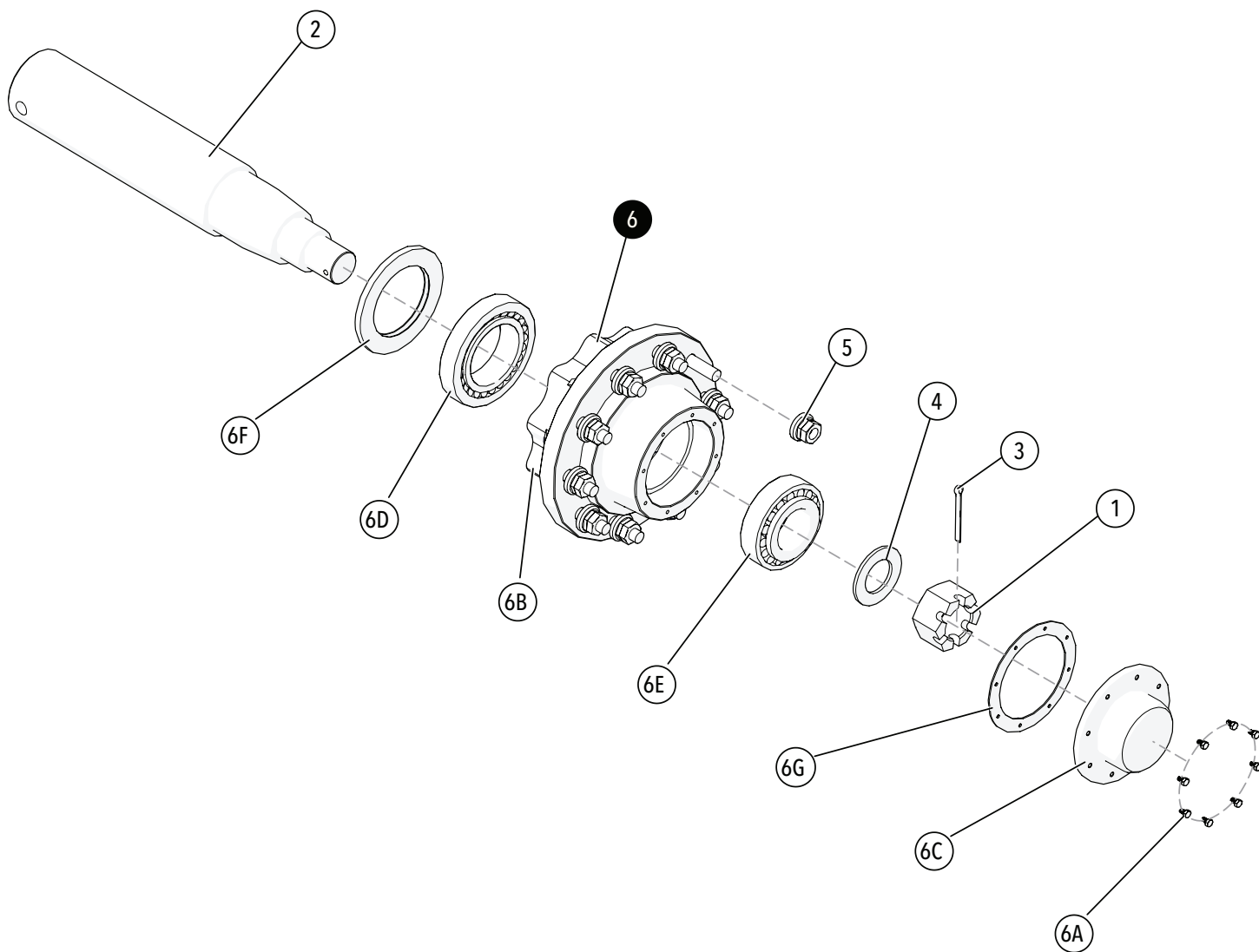
# Single Axle Spindle, 20 Bolt Hub

#35873-30



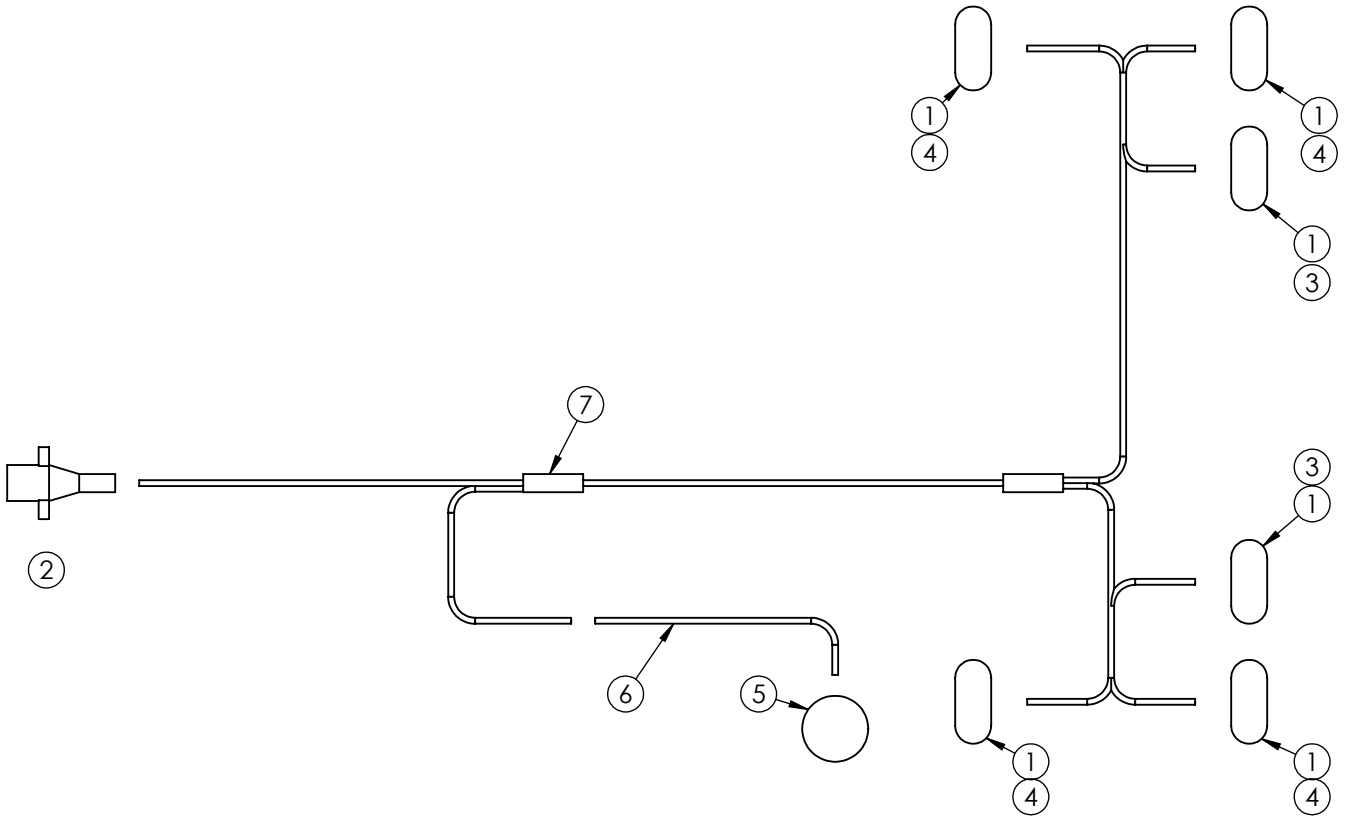
ID	Item No	Description	Qty
1	13899	NUT 2.50-12" SLOTTED HEX	1
2	13906	SPINDLE 5.50" 35K/50K HUB	1
3	13911	.375" X 4.0" COTTER PIN	1
4	14017	WASHER 4.50 O.D. x 2.63 I.D. x .25	1
5	15830	WHEEL NUT 22MM LOCKING	20
6	6151	HUB 50K BRAKING 20 BOLT	1
6A	04305	BOLT, 5/16NC X .50 GR5 HEX	8
6B	13901	HUB CAP F/ 50K HUB	1
6C	13902	BEARING CONE 795, TIMKIN	1
6D	13903	BEARING CONE 842 TIMKIN	1
6E	14016	SEAL OIL F/ 50K HUB	1
6F	14025	GREASE SEAL F/ 50K HUB	1
6G	15552	HUB 20 BOLT 50K W/ CUPS & STUD BOLTS	1

When ordering replacement parts please provide the Unit Color and Item Number



ID	Item No	Description	Qty
1	13899	NUT 2.50-12" SLOTTED HEX	1
2	13906	SPINDLE 5.50" 35K/50K HUB	1
3	13911	.375" X 4.0" COTTER PIN	1
4	14017	WASHER 4.50 O.D. x 2.63 I.D. x .25	1
5	15830	WHEEL NUT 22MM LOCKING	10
6	5963	HUB 50K BRAKING 10 BOLT	1
6A	04305	BOLT, 5/16NC X .50 GR5 HEX	8
6B	13900	HUB 50K W/ CUPS & STUD BOLTS	1
6C	13901	HUB CAP F/ 50K HUB	1
6D	13902	BEARING CONE 795, TIMKIN	1
6E	13903	BEARING CONE 842 TIMKIN	1
6F	14016	SEAL OIL F/ 50K HUB	1
6G	14025	GREASE SEAL F/ 13900	1

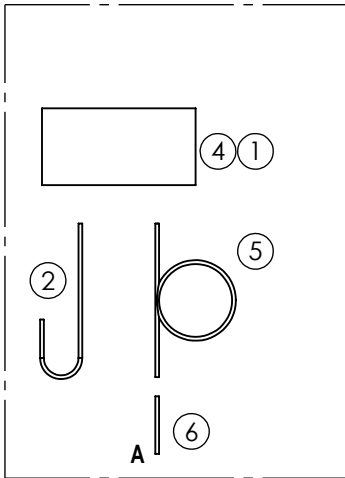
When ordering replacement parts please provide the Unit Color and Item Number



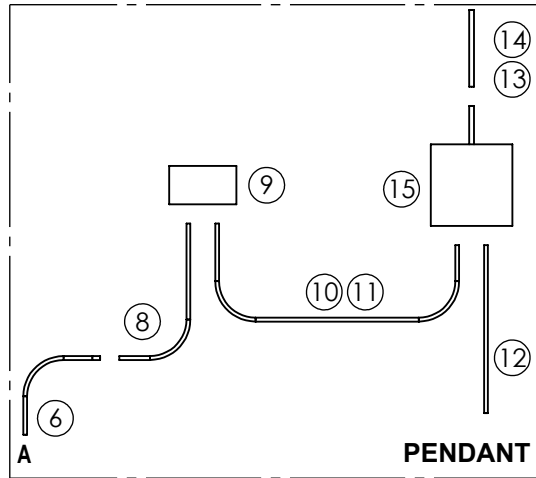
ID	Item No	Description	Qty
1	03652	GROMMET RUBBER OVAL	6
2	07416	PLUG CONNECTOR 7-WAY MALE	1
3	14923	LIGHT 2.3" X 6.5" LED RED	2
4	14924	LIGHT 2.3" X 6.5" LED YELLOW	4
5	14926	LIGHT WORK LED	1
6	14981	HARNESS WIRE CHUTE LIGHT	1
7	16404	HARNESS WIRE 22 MODELS CART	1

When ordering replacement parts please provide the Unit Color and Item Number

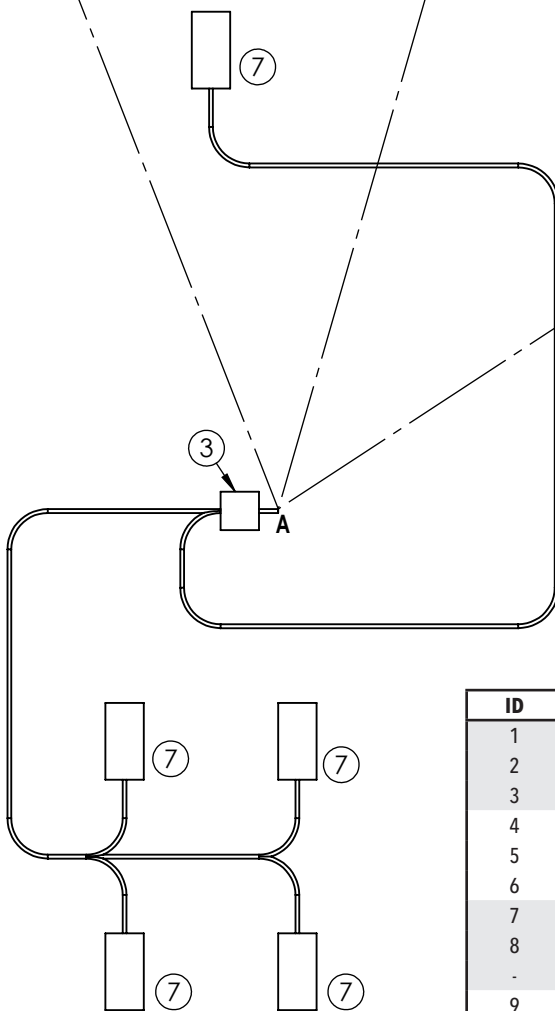
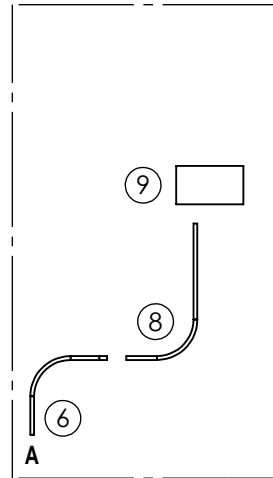
STANDARD EQUIPMENT  
640M SCALE



OPTIONAL EQUIPMENT  
WIRELESS SCALE W/ AUTO GATE

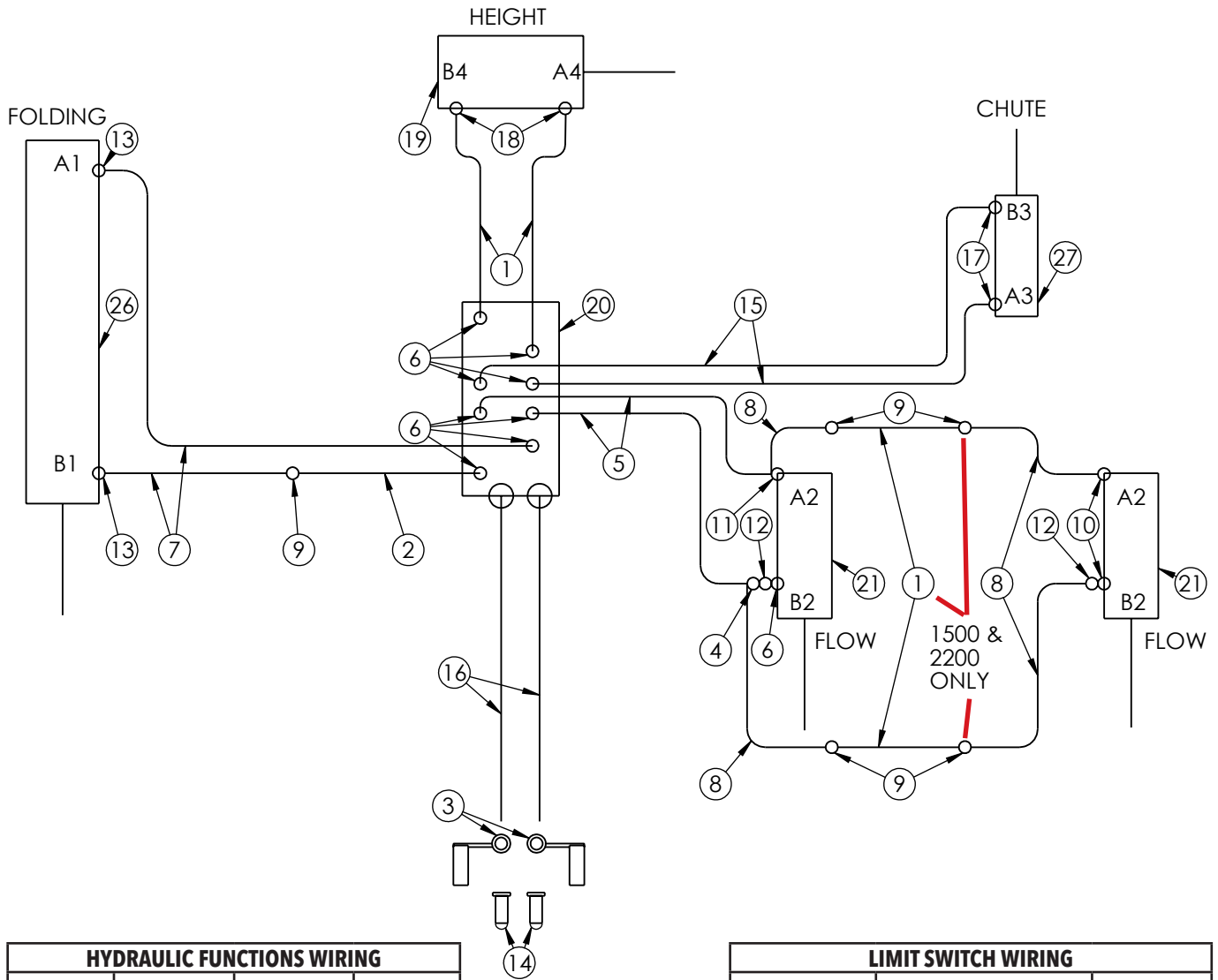


OPTIONAL EQUIPMENT  
WIRELESS SCALE



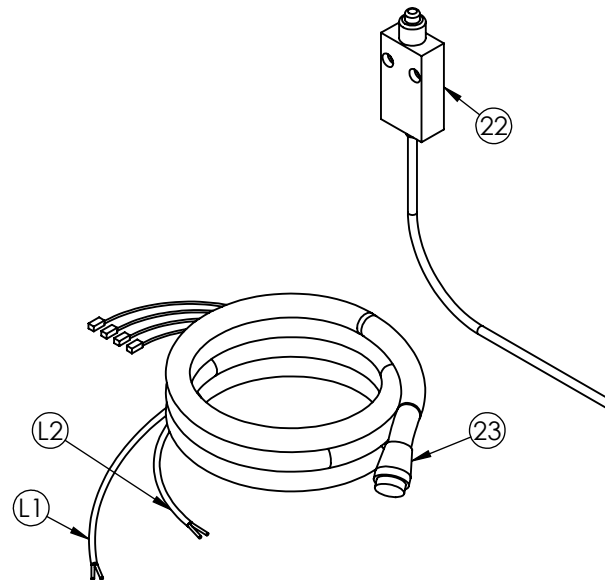
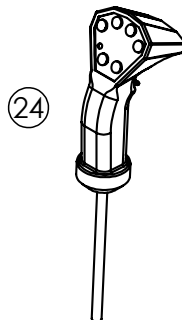
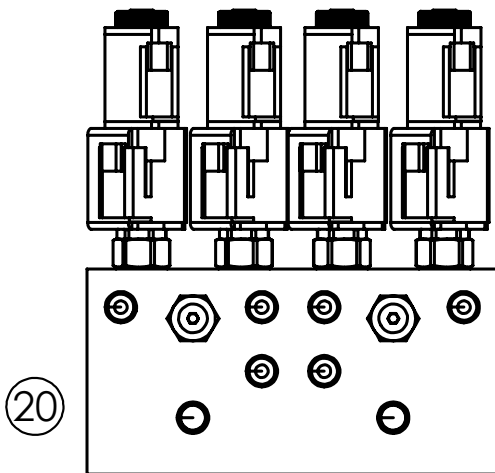
ID	Item No	Description	Qty
1	09440	640M SCALE BRACKET	1
2	09441	POWER CORD 8 FT	1
3	10941	JUNCTION BOX 7 PLUG	1
4	12259	MONITOR WEIGHTRONIX 640M	1
5	12264	HARNESS 25 FT JUNCTION BOX TO CONSOLE	1
6	13266	HARNESS 15 FT EXTENSION HITCH TO CONSOLE (OPTIONAL)	1
7	13983	WEIGHBAR 3.75 X 15.75 W/ CABLE	5
8	14992	CABLE F/ WIRELESS SCALE 5P TO AMP 3FT	1
-	15360	BATTERY AA 3.6V LITHIUM (REPLACEMENT)	-
9	15968	CONTROL BOX W/ WIRELESS SCALE W/ GATE CONTROL	1
10	16409	HARNESS 26' AUTO GATE	1
11	16410	HARNESS 12' EXTENSION FOR 16409	1
12	17005	PENDANT 8 FUNCTION	1
13	17007	HARNESS 26' HITCH TO BLOCK	1
14	17060	HARNESS 12' HITCH TO BLOCK EXTENSION	1
15	17067	CONTROL BOX AUTO GATE F/ BACKLIT PENDANT	1

When ordering replacement parts please provide the Unit Color and Item Number



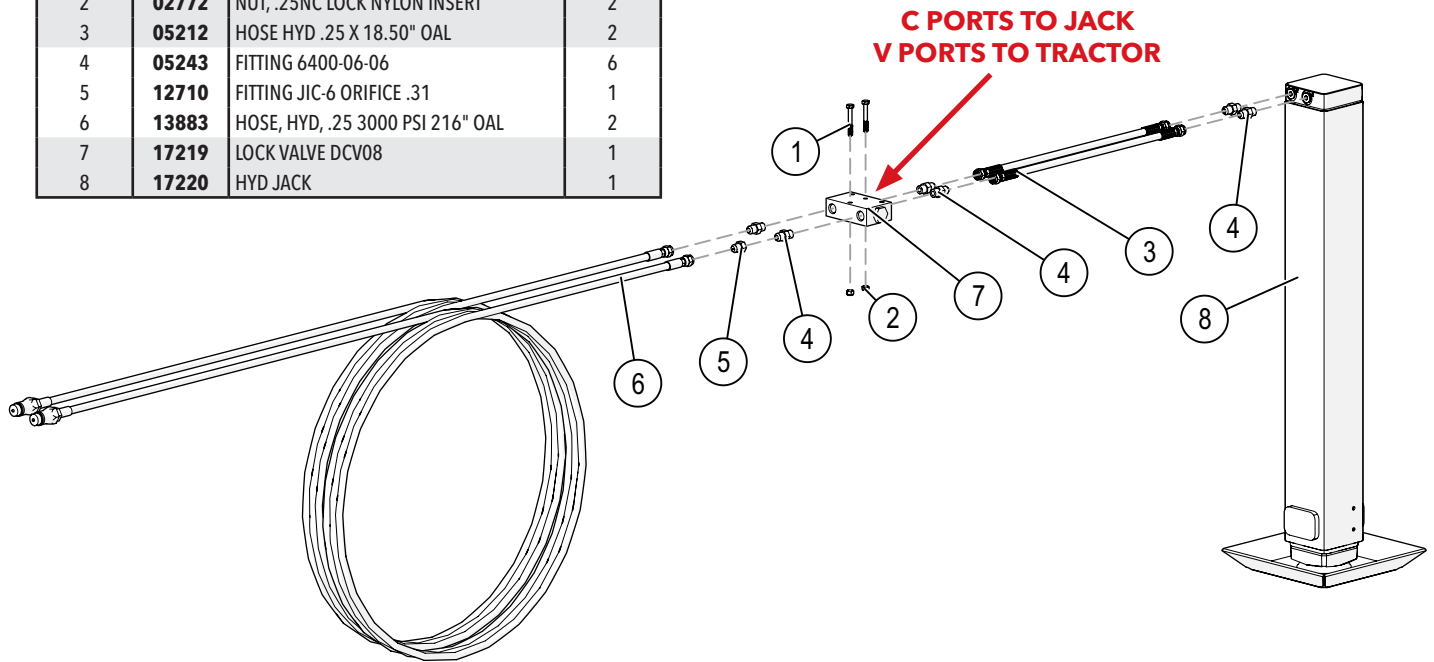
HYDRAULIC FUNCTIONS WIRING			
AUGER IN	DOOR OPEN	CHUTE LEFT	DOWN
AUGER OUT	DOOR CLOSE	CHUTE RIGHT	UP

LIMIT SWITCH WIRING		
WIRE NUMBER	LOCATION	SWITCH TYPE
LIMIT SWITCH #1	AUGER POSITION FRONT	PLUNGER (22)
LIMIT SWITCH #2	AUGER STOWED	PLUNGER (22)



When ordering replacement parts please provide the Unit Color and Item Number

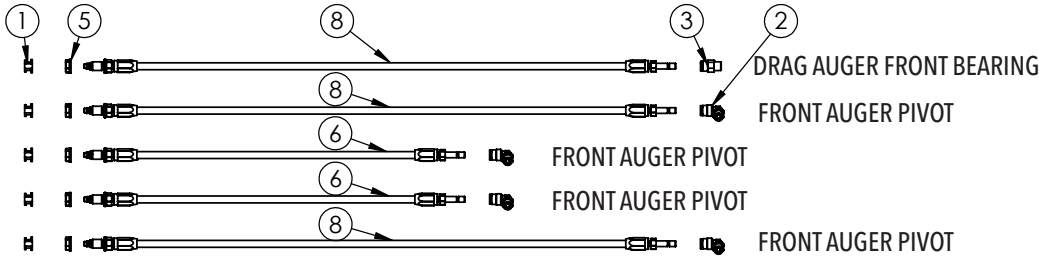
ID	Item No	Description	Qty
1	00618	BOLT .25NC X 2.00 GR5 HEX	2
2	02772	NUT, .25NC LOCK NYLON INSERT	2
3	05212	HOSE HYD .25 X 18.50" OAL	2
4	05243	FITTING 6400-06-06	6
5	12710	FITTING JIC-6 ORIFICE .31	1
6	13883	HOSE, HYD, .25 3000 PSI 216" OAL	2
7	17219	LOCK VALVE DCV08	1
8	17220	HYD JACK	1



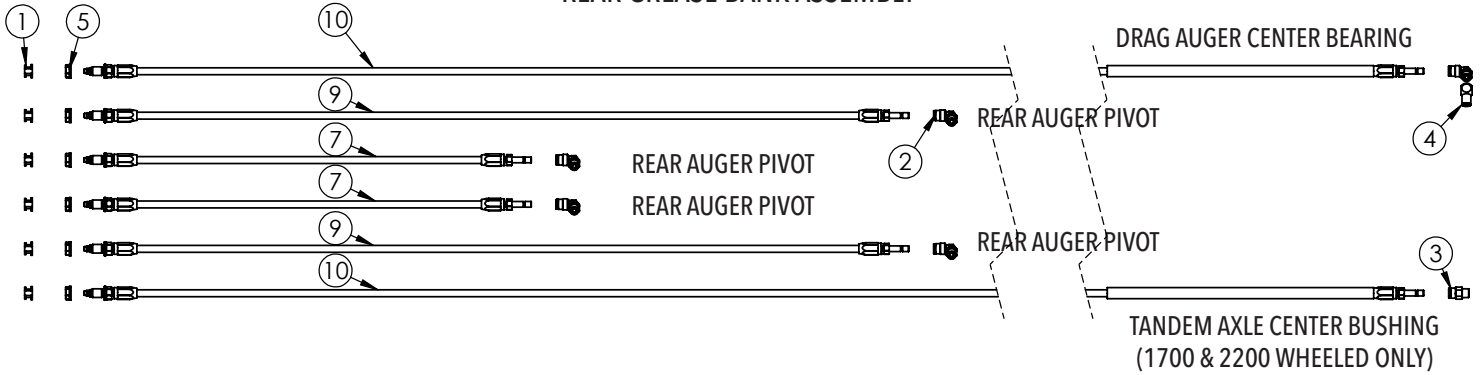
ID	Item No	Description	Qty
1	05190	HOSE HYD .25 X 48" OAL W/ #6 JIC FEMALE ENDS	4
2	05191	HOSE HYD .25 X 36" OAL W/ #6 JIC FEMALE ENDS	1
3	05198	COVER RUBBER F/05197 QUICK COUPLER (BLACK)	2
4	05203	FTG HYD TEE #6 JIC MALE (2X) X #6 FEMALE SWIVEL (6602-06-06-06)	1
5	05212	HOSE HYD .25 X 18.50" OAL W/ #6 JIC FEMALE ENDS	2
6	05243	FTG HYD STR #6 JIC MALE X #6 O-RING MALE (6400-06-06)	9
7	07071	HOSE HYD .25 X 72" OAL W/ #6 JIC FEMALE ENDS	2
8	09171	HOSE HYD .25 X 192" OAL W/ #6 JIC FEMALE ENDS	4
	07193	HOSE HYD .25 X 178" OAL W/ #6 JIC FEMALE ENDS (1100 ONLY)	4
9	09950	FTG HYD STR #6 JIC (2X) MALE UNION (2403-06-06)	5
10	11143	FTG HYD ELBOW 90° #6 O-RING X #6 JIC MALE (6801-06-06)	2
11	12328	FTG HYD TEE #6 JIC MALE (2X) X #6 O-RING MALE (6803-06-06-06)	1
12	12710	FTG HYD #6 JIC ORIFICE .031"	2
13	13442	FTG HYD ELBOW 90° #10 ORING X #6 JIC (6801-06-10)	2
14	13786	QUICK COUPLER #10 O-RING (REPLACEMENT)	2
15	13884	HOSE HYD .25 X 258" OAL W/ #6 FEMALE JIC BOTH ENDS	2
16	13885	HOSE HYD .50 X 264" OAL W/ #10 OR 90° SWIVEL W/O-RING COUPLER	2
17	13886	FTG HYD ELB 90° #6 MALE ORING X #6 JIC MALE W/ .041 ORIFICE	2
18	15158	FTG HYD ELBOW 90° #8 MALE O-RING X #6 MALE JIC (6801-06-08)	2
19	16405	HYD CYLINDER 4.00" X 12.00" STROKE (HEIGHT)	1
20	16407	BLOCK HYD 8 FUNCTION	1
-	14084	CARTRIDGE GS04	-
-	15636	COIL	-
-	16477-30	HYDRAULIC BLOCK MOUNT	-
21	16757	HYD CYLINDER, 2.50" X 8.00" STROKE (FLOW)	2
-	5584	KIT SEAL REPAIR	-
22	16824	LIMIT SWITCH AUGER HEIGHT CONTROL	2
23	17007	HARNES 26' HITCH TO BLOCK (REPLACEMENT)	1
24	17005	PENDANT 8 FUNCTION F/ 16407	1
25	17060	HARNES 12' HITCH TO BLOCK EXTENSION	1
26	17104	HYD CUSHION CYLINDER 3.50" X 24.00" (FOLDING)	1
27	18060	HYD CYLINDER 2.00 X 12.50 STROKE (CHUTE)	1
-	5972	KIT SEAL REPAIR	-

When ordering replacement parts please provide the Unit Color and Item Number

## FRONT GREASE BANK ASSEMBLY



## REAR GREASE BANK ASSEMBLY



ID	Item No	Description	Qty
1	16995	ZERK CAP PLASTIC	10
2	16996	SWIVEL PUSH TO CONNECT FTG .25 X .125 NPT	9
3	16997	STR PUSH TO CONNECT FTG .25 X .125 NPT	2
4	16998	FTG ADAPTER 45° 1/8" NPT X 1/8" NPT	1
5	17020	FLANGE BULKHEAD NUT	10
6	17069	HOSE GREASE FILLED ASSEMBLY 14"	2
7	17070	HOSE GREASE FILLED ASSEMBLY 17"	2
8	17071	HOSE GREASE FILLED ASSEMBLY 23.5"	3
9	17072	HOSE GREASE FILLED ASSEMBLY 34"	2
10	17073	HOSE GREASE FILLED ASSEMBLY 192"	1

When ordering replacement parts please provide the Unit Color and Item Number



**TORQUE SPECIFICATIONS**

Torque figures indicated are valid for non-greased or non-oiled threads and heads unless otherwise specified. Therefore, do not grease or oil bolts or caps crews unless otherwise specified in this manual. When using locking elements, increase torque values by 5%.

\* GRADE or CLASS value for bolts and caps crews are identified by their head markings.

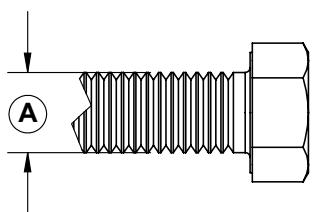
**BOLT TORQUE DATA FOR STANDARD NUTS, BOLTS, AND CAPS CREWS.**

Tighten all bolts to torques specified in chart unless otherwise noted. Check tightness of bolts periodically, using bolt chart as guide. Replace hardware with same grade bolt.

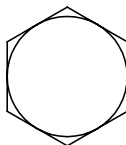
NOTE: Unless otherwise specified, high-strength Grade 5 hex bolts are used throughout assembly of equipment.

* BOLT TORQUE FOR STANDARD BOLTS						
"A"	GRADE 2		GRADE 5		GRADE 8	
	lb-ft	(N.m)	lb-ft	(N.m)	lb-ft	(N.m)
1/4"	6	(8)	9	(12)	12	(16)
5/16"	10	(13)	18	(25)	25	(35)
3/8"	20	(27)	30	(40)	45	(60)
7/16"	30	(40)	50	(70)	80	(110)
1/2"	45	(60)	75	(100)	115	(155)
9/16"	70	(95)	115	(155)	165	(220)
5/8"	95	(130)	150	(200)	225	(300)
3/4"	165	(225)	290	(390)	400	(540)
7/8"	170	(230)	420	(570)	650	(880)
1"	225	(300)	630	(850)	970	(1310)

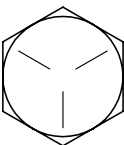
* BOLT TORQUE FOR METRIC BOLTS						
"A"	CLASS 8.8		CLASS 9.8		CLASS 10.9	
	lb-ft	(N.m)	lb-ft	(N.m)	lb-ft	(N.m)
6	9	(13)	10	(14)	13	(17)
7	15	(21)	18	(24)	21	(29)
8	23	(31)	25	(34)	31	(42)
10	45	(61)	50	(68)	61	(83)
12	78	(106)	88	(118)	106	(144)
14	125	(169)	140	(189)	170	(230)
16	194	(263)	216	(293)	263	(357)
18	268	(363)	--	--	364	(493)
20	378	(513)	--	--	515	(689)
22	516	(699)	--	--	702	(952)
24	654	(886)	--	--	890	(1206)



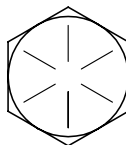
**GRADE-2**



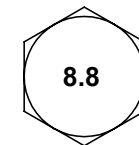
**GRADE-5**



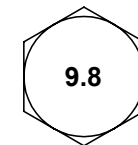
**GRADE-8**



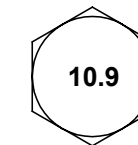
**CLASS 8.8**



**CLASS 9.8**



**CLASS 10.9**



When ordering replacement parts please provide the Unit Color and Item Number

Intentionally page blank

When ordering replacement parts please provide the Unit Color and Item Number

When ordering replacement parts please provide the Unit Color and Item Number

***DEMCO***

4010 320th St., Boyden, IA. 51234

Phone: (712) 725-2311

Fax: (712) 725-2380

Toll Free: 1-800-54DEMCO (1-800-543-3626)

**Demco warranty policies, operator manuals, and product registration  
can be found online:**

**[www.demco-products.com](http://www.demco-products.com)**