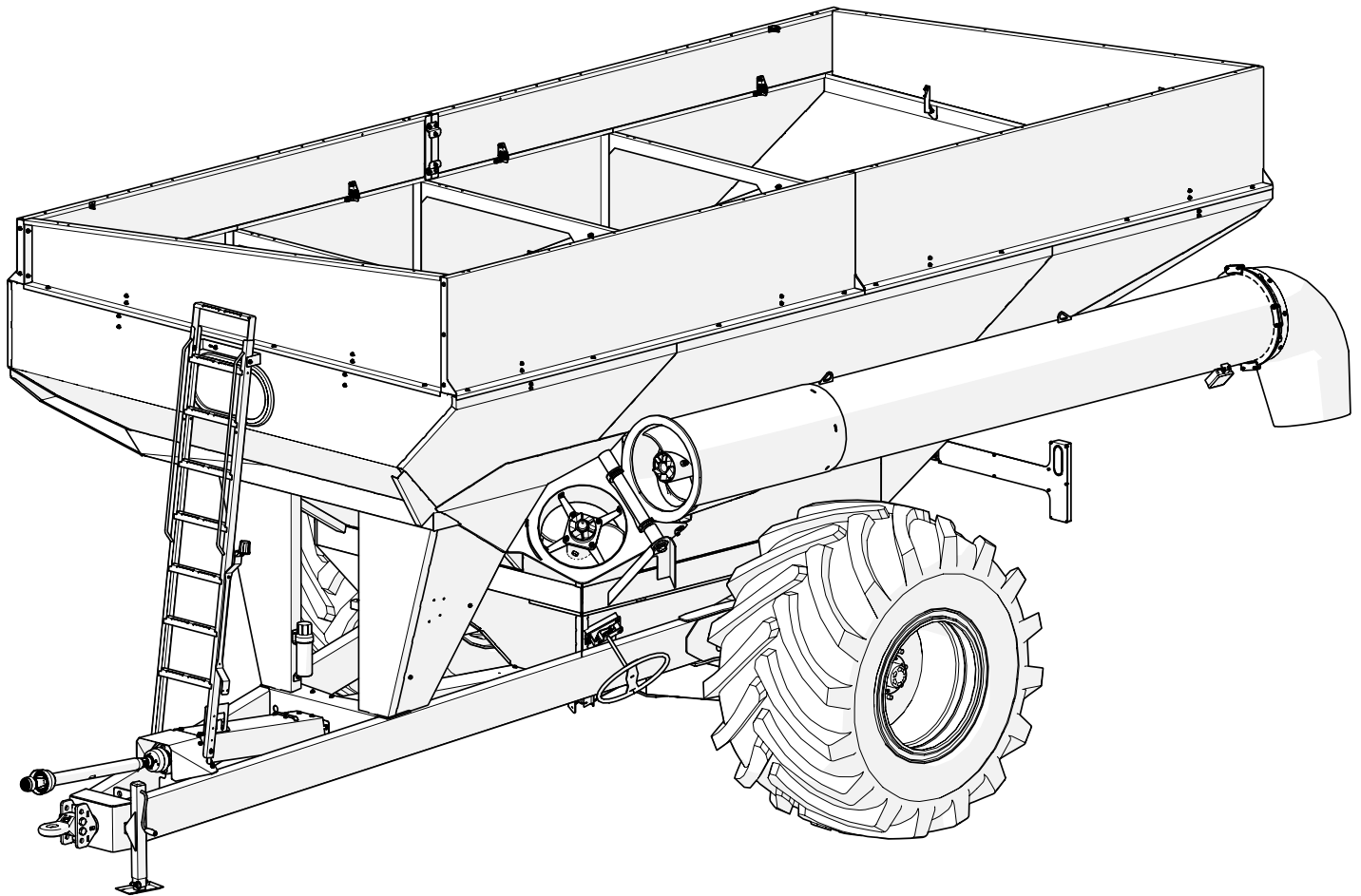




Doing Our Best to Provide You the Best

AG20053, Rev 5
2/25

GRAIN CART - SINGLE AUGER
850SA, 1000SA & 1100SA



PARTS MANUAL

Table of Contents

Overview

Table of Contents	2
Grain Cart Information	2
Replacement Parts.....	2

Main Assembly

Lower Auger Door Opener	3
Hitch and Drive Line Assembly.....	4
Front Tongue Area Assembly.....	5
Auger Assembly	6-7
Internal Assembly.....	8
Rear Light Pod Assembly.....	9
Extensions	10-11

1000/1100 Axle Assembly

Wheel Axle Assembly	12
Spindle/Hub - 10 Bolt	13

850 Axle Assembly

Wheel Axle Assembly	14
Spindle/Hub - 10 Bolt	15

Track Axle Assembly

Assembly	16
4 Bogie Assembly.....	17

Schematics

Electrical Schematic	18
Scale Schematic.....	19
Hydraulic Schematic.....	20
Backlit Pendant Hydraulic Schematic.....	21

Hydraulic Drive Assembly

Assembly	22
----------------	----

Bolt Torque

Information.....	23
------------------	----

Grain Cart Information

This parts manual is for Demco Grain Carts Models: 850, 1000 and 1100 Production 2025 - Current

Record your Serial Number, Date of Purchase and Dealer for reference

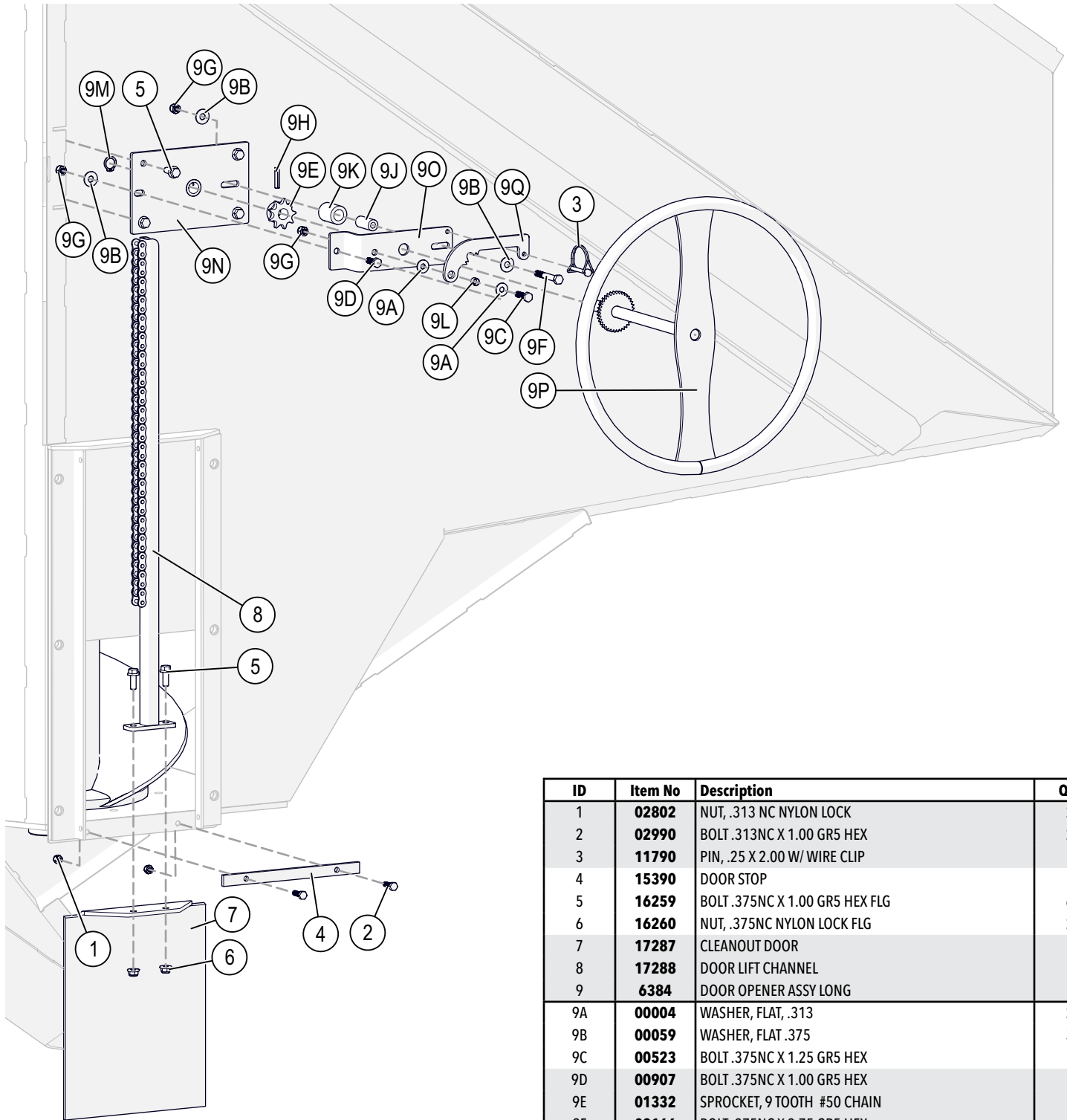
Serial Number _____

Date of Purchase _____

Dealer Information _____

Replacement Parts

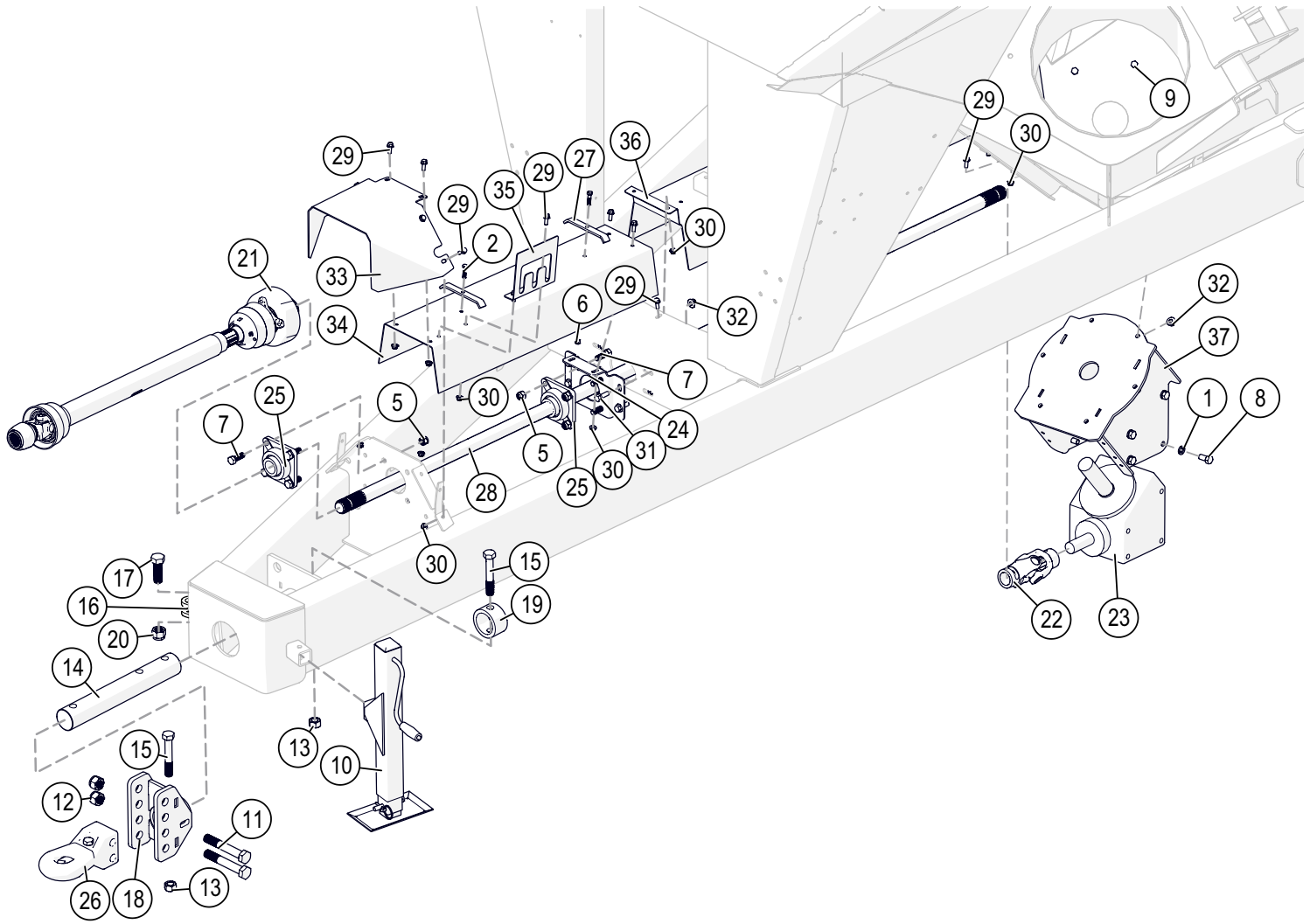
When ordering replacement parts provide the Unit Color and Item Number.



ID	Item No	Description	Qty
1	02802	NUT, .313 NC NYLON LOCK	2
2	02990	BOLT .313NC X 1.00 GR5 HEX	2
3	11790	PIN, .25 X 2.00 W/ WIRE CLIP	1
4	15390	DOOR STOP	1
5	16259	BOLT .375NC X 1.00 GR5 HEX FLG	6
6	16260	NUT, .375NC NYLON LOCK FLG	2
7	17287	CLEANOUT DOOR	1
8	17288	DOOR LIFT CHANNEL	1
9	6384	DOOR OPENER ASSY LONG	1
9A	00004	WASHER, FLAT, .313	2
9B	00059	WASHER, FLAT .375	3
9C	00523	BOLT .375NC X 1.25 GR5 HEX	1
9D	00907	BOLT .375NC X 1.00 GR5 HEX	1
9E	01332	SPROCKET, 9 TOOTH #50 CHAIN	1
9F	02166	BOLT .375NC X 2.75 GR5 HEX	1
9G	02592	NUT, .375NC NYLON LOCK	3
9H	02849	ROLL PIN, .31 X 1.38	1
9I	04642	ZERK, GREASE, .25 UNF SF	1
9J	05363	BUSHING, INNER ROLLER	1
9K	05364	BUSHING, OUTER ROLLER	1
9L	13668	BUSHING	1
9M	14750	SNAP RING EXT F/ .75SHAFT	1
9N	15392	OPENER PLATE	1
9O	15395	OPENER BRACKET	1
9P	17289	DOOR LIFT WHEEL LONG	1
9Q	18466	DOOR LATCH	1

When ordering replacement parts please provide the Unit Color and Item Number

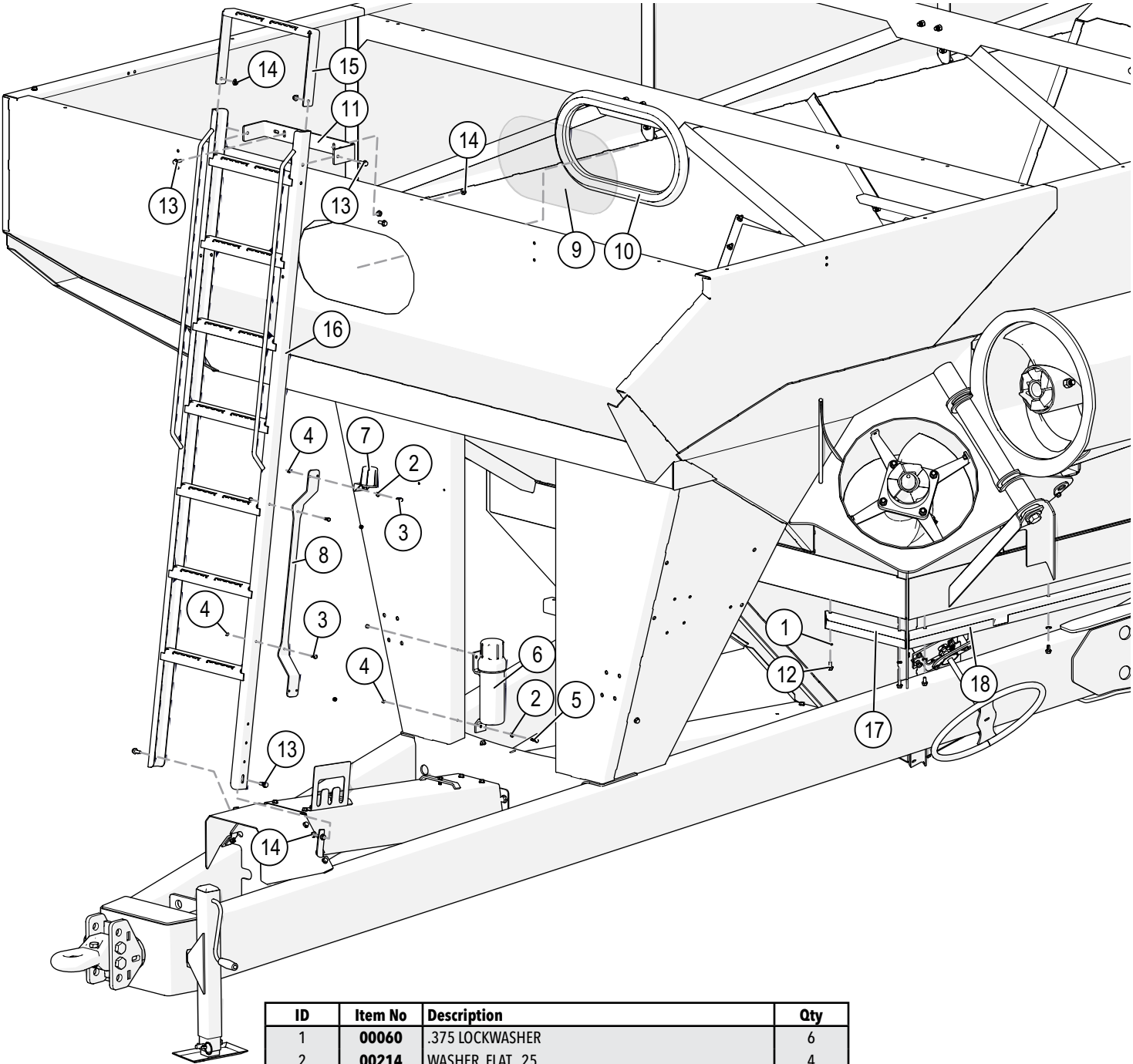
Hitch and Drive Line Assembly



ID	Item No	Description	Qty	ID	Item No	Description	Qty
1	00248	WASHER SPRING LOCK 0.625	8	22	13326	UNIVERSAL JOINT 1-3/4"-20 TO 1-3/4"-6	1
2	00914	BOLT .375NC X 1.50 GR5 HEX	2	23	13339	COMER IND. GEARBOX	1
3	00967	BOLT .50NC X 1.25 GR5 HEX	3	-	17562	SUPERIOR GEARBOX	-
4	02178	NUT, .50NC LOCK, NY. INSERT	3	-	15911	SEAL DOUBLE LIP COMER GEARBOX OUT SHAFT	-
5	02587	NUT, .625 NC NYLON LOCK	8	-	15912	SEAL DOUBLE LIP COMER GEARBOX IN SHAFT	-
6	02592	NUT, .375NC NYLON LOCK	2	24	13347	BEARING MOUNT	1
7	03698	BOLT .625NC X 1.75 GR5 HEX	8	25	13411	BEARING 1.75" 4-BOLT FLANGE	2
8	05366	BOLT .625NC X 1.25 GR5 HEX	8	26	13479	HITCH BASE AUSTEMPERED W/ INSERTS	1
9	07272	BOLT .50NC X 1.50 GR8 HEX	6	27	13575	HOSE KEEPER, 4-6 HOSES	2
10	09219	JACK	1	28	14918	DRIVE SHAFT, 20 SPLINE	1
11	09454	BOLT 1.0NF X 6.50 GR8 HEX	2	29	16259	BOLT .375NC X 1.00 GR5 HEX FLG	14
12	09455	NUT, 1.0NF NYLON INSERT HEX	2	30	16260	NUT, .375NC NY LOCK FLANGE	14
13	10678	NUT .875NC LOCK NYLON INSERT	2	31	16589	BOLT .50NC X 1.50 GR5 HEX FLANGE	4
14	10814	HITCH PIN	1	32	16590	NUT, .50NC LOCK, NY. INSERT FLANGE	10
15	11698	BOLT .875NC X 5.50 GR8 HEX	2	33	17282	PTO SHAFT COVER/STEP	1
16	12154	40,500 LB SAFETY CHAIN	1	34	17283	PTO SHIELD FRONT	1
17	12323	HEX BOLT 1.00-8UNC X 3.00	1	35	17284	HOSE HOLDER	1
18	12346	HITCH MOUNT	1	36	17285	PTO SHIELD REAR	1
19	12375	HITCH STOP COLLAR	1	37	17572	GEARBOX MOUNT, COMER	1
20	12477	1"-8 UNC NYLON INSERT NUT	1	-	17573	GEARBOX MOUNT, SUPERIOR	-
21	13325	PTO SHAFT W/1.75-20 SPLINE, AUTO CLUTCH 12K, 14 SERIES	1				
-	13475	PTO TRACTOR HALF	-				
-	18190	SMALL 1000 PTO TRACTOR HALF	-				
-	18192	SMALL 1000 PTO	-				

When ordering replacement parts please provide the Unit Color and Item Number

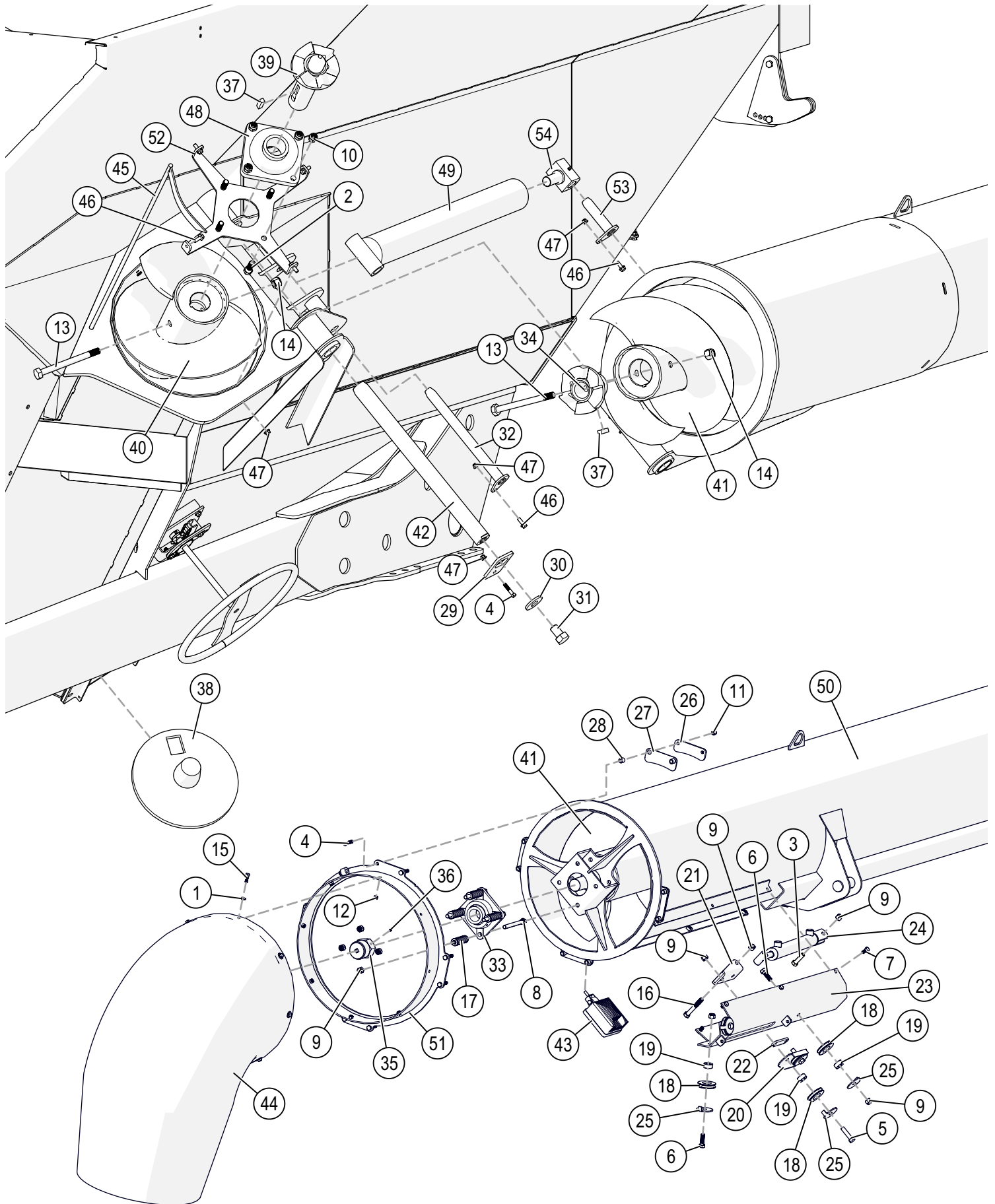
Front Tongue Area Assembly



ID	Item No	Description	Qty
1	00060	.375 LOCKWASHER	6
2	00214	WASHER, FLAT, .25	4
3	01076	BOLT .25NC X .75 GR5 HEX	4
4	02772	NUT, .25NC LOCK NYLON INSERT	6
5	04055	BOLT .25NC X 1.00 GR5 HEX	2
6	10241	CANISTER	1
7	10277	ELECTRICAL PLUG HOLDER	1
8	13501	HOSE WRAP BRACKET	1
9	14361	WINDOW GRAVITY FLOW BOX	1
10	14362	WINDOW GASKET SEAL	1
11	14922	UPPER LADDER BRACKET F/1252 GC	1
12	16258	BOLT .375NC X .75 GR5 HEX FLG	6
13	16259	BOLT .375NC X 1.00 GR5 HEX FLG	6
14	16260	NUT, .375NC NYLON LOCK FLG	6
15	16350	LADDER TOP CHANNEL	1
16	17295	LADDER F/ 1000 & 1100 GC	1
17	17314	HOSE HOLDER FRONT	1
18	17315	HOSE HOLDER	1

When ordering replacement parts please provide the Unit Color and Item Number

Auger Assembly

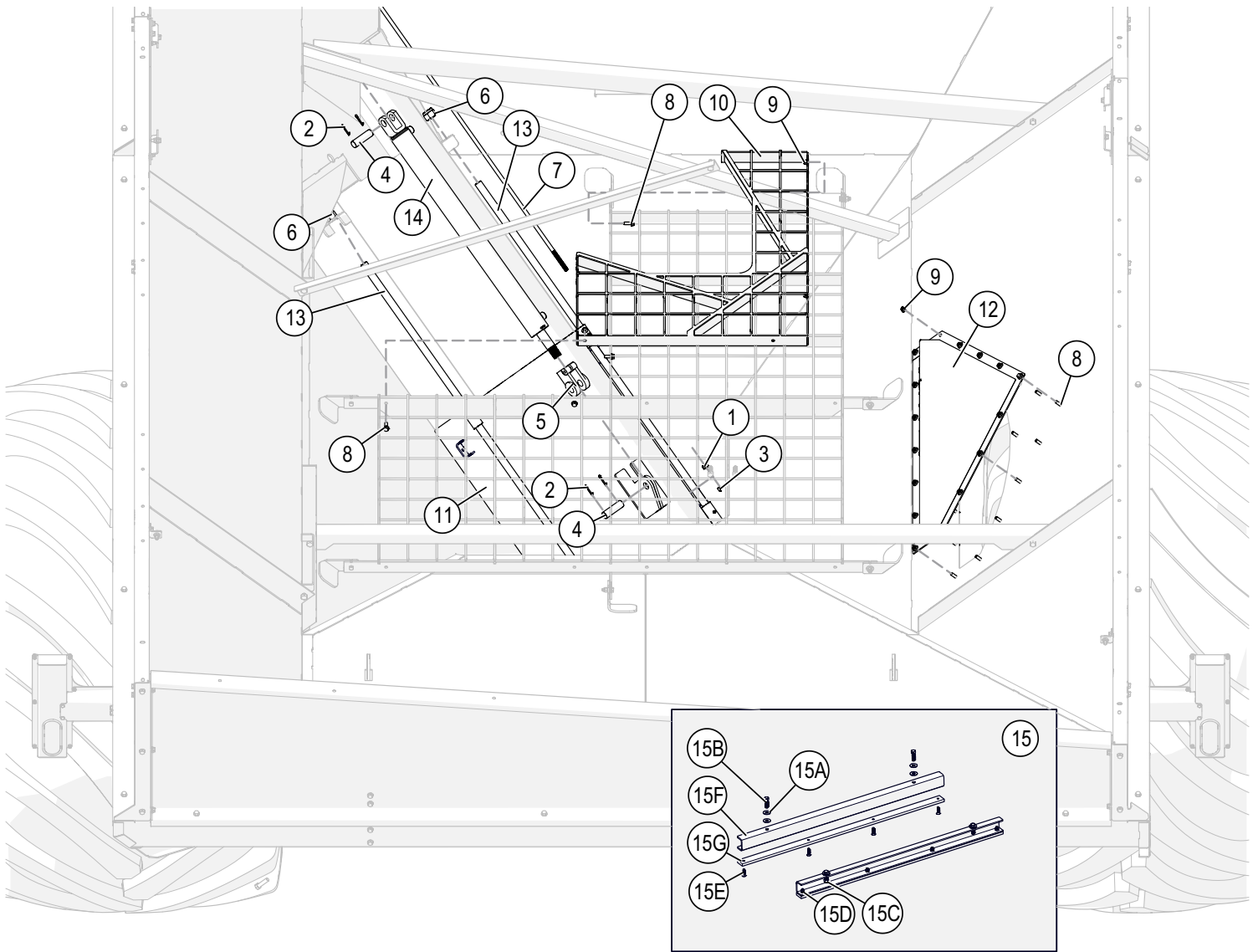


When ordering replacement parts please provide the Unit Color and Item Number

ID	Item No	Description	Qty
1	00004	WASHER, FLAT, .313	8
2	00290	BOLT .625NC X 2.00 GR5 HEX	4
3	00482	BOLT .50NC X 1.75 GR5 HEX	1
4	00908	BOLT .375NC X 1.75 GR5 HEX	9
5	01253	BOLT .50NC X 2.00 GR5 HEX	2
6	01254	BOLT .50NC X 1.50 GR5 HEX	3
7	01899	BOLT .375NC X .75 GR5 HEX	6
8	01975	BOLT .50NC X 5.00 GR5 HEX	4
9	02178	NUT, .50NC LOCK, NY. INSERT	11
10	02587	NUT, .625 NC NYLON LOCK	4
11	02592	NUT, .375NC NYLON LOCK	10
12	02802	NUT, .313 NC NYLON LOCK	7
13	02851	.75NC X 8.50 GR5 HEX BOLT	2
14	02961	.75NC NYLON INSERT LOCK NUT	2
15	02990	BOLT .313NC X 1.00 GR5 HEX	8
16	05290	BOLT .50NC X 3.25 GR5 HEX	1
17	09168	SPRING, COMPRESSION	4
18	09282	CABLE SHEAVE	5
19	09283	SHEAVE BUSHING	5
20	12512	TROLLEY TOP	1
21	12513	TROLLEY BOTTOM	1
22	12514	TROLLEY SPACER	1
23	12515	CYLINDER MOUNT/COVER	1
24	12522	CYLINDER ASSEMBLY, 1.50", .75 ROD	1
25	12531	CABLE RETAINER	5
26	12549	MOUNT RING RETAINER BRKT	4
27	12550	PLASTIC RETAINER BRKT SPACER	4
28	12667	RETAINER BRACKET BUSHING	8
29	13010	AUGER PIN PLATE	1
30	13011	AUGER PIN WASHER	1
31	13012	1.0"-8NC X 1.50 HEX BOLT GR5	1
32	13340	LOWER HYD CYL PIN	1
33	13411	BEARING 1.75" 4-BOLT FLANGE	1
34	13414	DRIVE CASTING OUTER W/ KEYWAY	1
35	13424	NUT SPACER NUT	1
36	13521	SET SCREW .25NC X .375 SOCKET CUP POINT	1
37	13538	.50 x .50 x 1.75" KEY	2
38	14005	LOWER DRIVE	1
39	14110	INNER DRIVE CASTING	1
40	14861	AUGER FLIGHTING INNER, 18.75"	1
-	17437-61	CHROME AUGER FLIGHTING INNER	-
41	14862	AUGER FLIGHTING OUTER	1
-	17438-61	CHROME AUGER FLIGHTING OUTER	-
42	14900	AUGER PIN	1
43	14926	LIGHT WORK LED 12V-36V	1
44	14935	DISCHARGE CHUTE	1
45	14937	INNER DOOR INDICATOR	1
46	16259	BOLT .375NC X 1.00 GR5 HEX FLG	6
47	16260	NUT, .375NC NYLON LOCK FLG	7
48	16414	2.5" IPTCI BEARING	1
49	17104	HYD CUSHION CLY 3.50" X 24.00"	1
50	17290	OUTER AUGER TUBE 20"	1
51	17294	CHUTE DRIVE RING, 20" SMALL ID	1
52	17307	BEARING MOUNT PLATE 20" AUGER	1
53	17309	UPPER CYLINDER PIN 1.25	1
54	17310	HYDRAULIC CYLINDER END SMALL	1

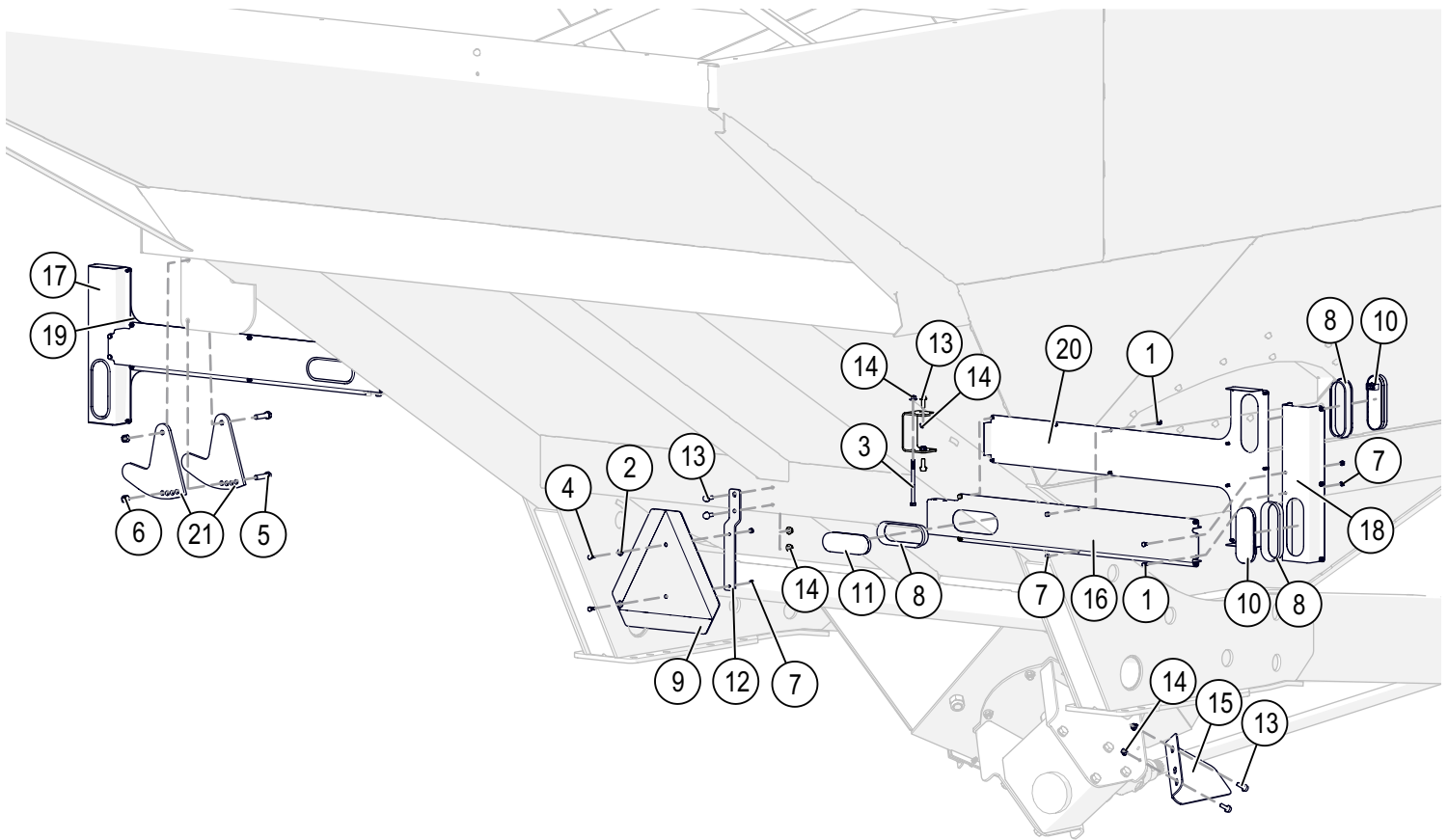
When ordering replacement parts please provide the Unit Color and Item Number

Internal Assembly



ID	Item No	Description	Qty
1	00083	NUT, HEX, .50NC	1
2	00116	COTTER PIN, .156 X 1.50	4
3	02178	NUT, .50NC LOCK, NY. INSERT	1
4	03738	CYLINDER PIN	2
5	09741	CYLINDER CLEVIS	1
6	12477	1"-8 UNC NYLON INSERT NUT	4
7	14937	INNER DOOR INDICATOR	1
8	16259	BOLT .375NC X 1.00 GR5 HEX FLG	21
9	16260	NUT, .375NC NY LOCK FLANGE	21
10	17296	MESH CORNER	1
11	17297	INNER DOOR	1
12	17298	FENDER	1
13	17306	DOOR SLIDE ROD, THREADED	2
14	17317	HYD. CYLINDER 2.5" X 30.00" STROKE	1
15	6485	SINGLE AUGER SMALL GRAIN DOOR SEAL KIT (OPTIONAL)	1
15A	00059	WASHER, FLAT .375	8
15B	00523	BOLT .375NC X 1.25 GR5 HEX	4
15C	02592	NUT, .375NC NYLON LOCK	4
15D	02772	NUT, .25NC LOCK NYLON INSERT	8
15E	07082	BOLT .25NC X 1.00 FLAT HEAD TORX	8
15F	18468	SPACER CHANNEL	2
15G	18469	PLATE, WEAR	2

When ordering replacement parts please provide the Unit Color and Item Number

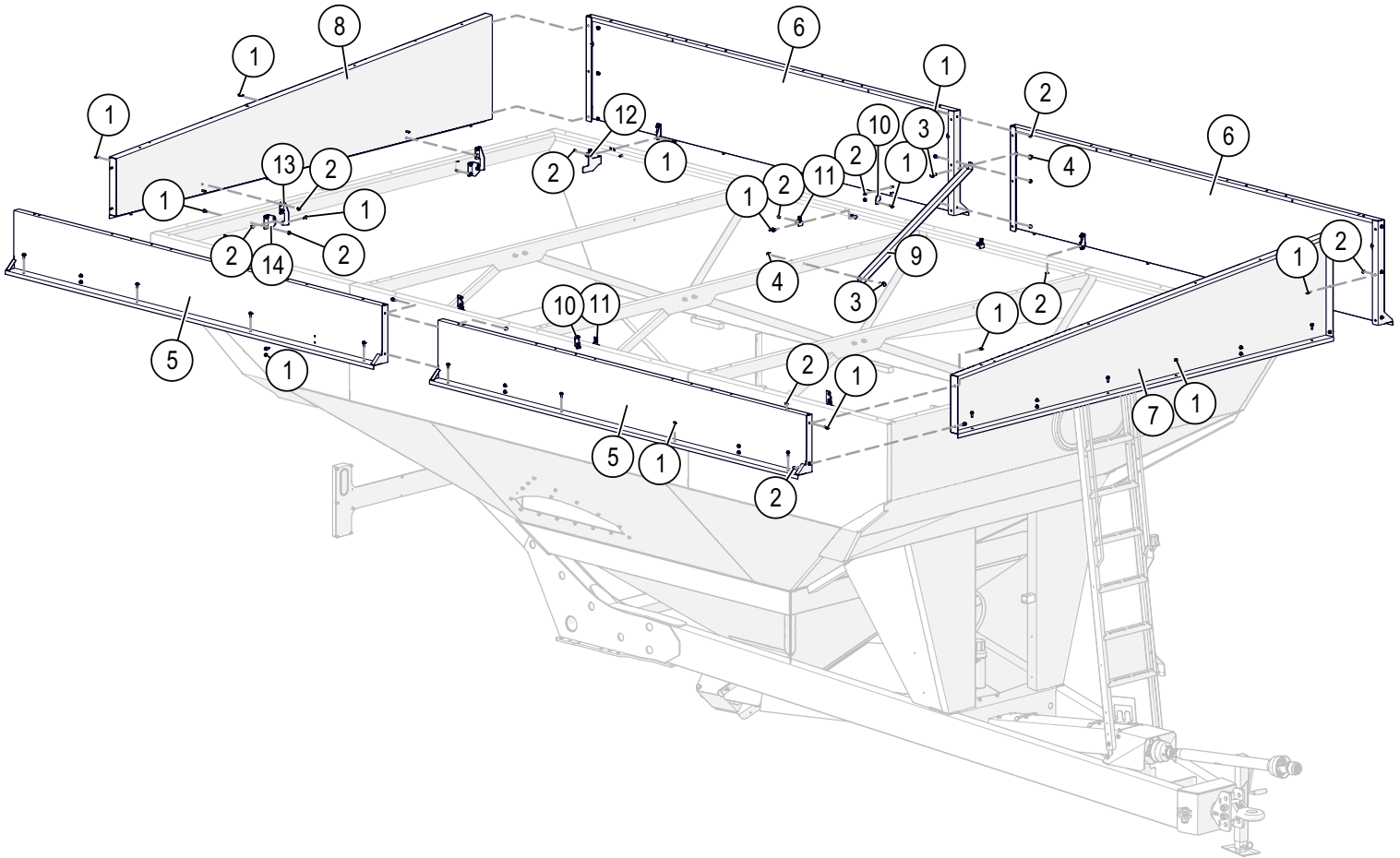


ID	Item No	Description	Qty
1	00092	BOLT .25NC X .50 GR5 HEX	26
2	00214	WASHER, FLAT, .25	2
3	00675	BOLT .375NC X 5.00 GR5 HEX HEAD	2
4	01076	BOLT .25NC X .75 GR5 HEX	2
5	01253	BOLT .50NC X 2.00 GR5 HEX	2
6	02178	NUT, .50NC LOCK, NY. INSERT	2
7	02772	NUT, .25NC LOCK NYLON INSERT	28
8	03652	GROMMET RUBBER OVAL	6
9	12126	SMV SIGN	1
10	12249	LIGHT, SEALED OVAL S/T/T LAMP	4
11	14923	LED LIGHT, SEALED RED LAMP	2
12	14952	SMV HOLDER	1
13	16259	BOLT .375NC X 1.00 GR5 HEX FLG	8
14	16260	NUT, .375NC NYLON LOCK FLG	10
15	17286	GEARBOX U-JOINT SHIELD	1
16	17301	LIGHT ARM	2
17	17302	LEFT END POD	1
18	17303	RIGHT END POD	1
19	17304	LEFT LIGHT COVER	1
20	17305	RIGHT LIGHT COVER	1
21	17308	AUGER REST HOOK	2

When ordering replacement parts please provide the Unit Color and Item Number

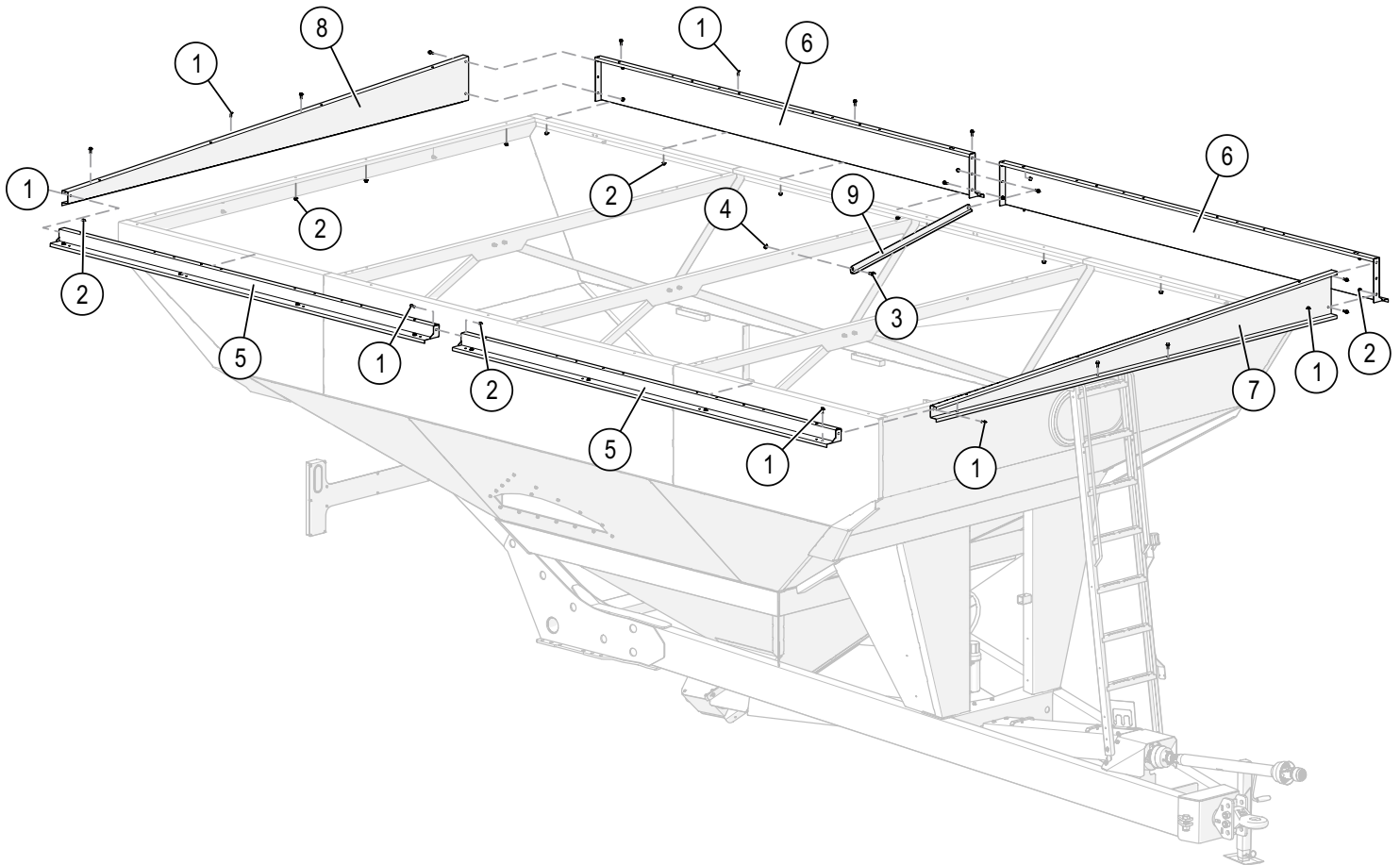
Extensions

1000 and 1100



ID	Item No	Description	Qty
1	16259	BOLT .375NC X 1.00 GR5 HEX FLG	113
2	16260	NUT, .375NC NYLON LOCK FLG	108
3	16588	BOLT .50NC X 1.25 GR5 HEX FLANGE	2
4	16590	NUT, .50NC LOCK, NY. INSERT FLANGE	2
5	17263	RH EXTENSION (1100)	2
-	17279	RH EXTENSION (1000)	2
6	17264	LH EXTENSION (1100)	2
-	17278	LH EXTENSION (1000)	2
7	17265	EXTENSION FRONT (1100)	1
-	17280	EXTENSION FRONT (1000)	1
8	17266	EXTENSION REAR (1100)	1
-	17281	EXTENSION REAR (1000)	1
9	17267	EXTENSION BRACE	1
10	17268	EXTENSION SIDE HINGE TOP	8
11	17269	EXTENSION SIDE HINGE BOTTOM	6
12	17270	EXTENSION HINGE SHELF	2
13	17271	EXTENSION HINGE TOP	4
14	17272	EXTENSION FRONT HINGE BOTTOM	4

When ordering replacement parts please provide the Unit Color and Item Number

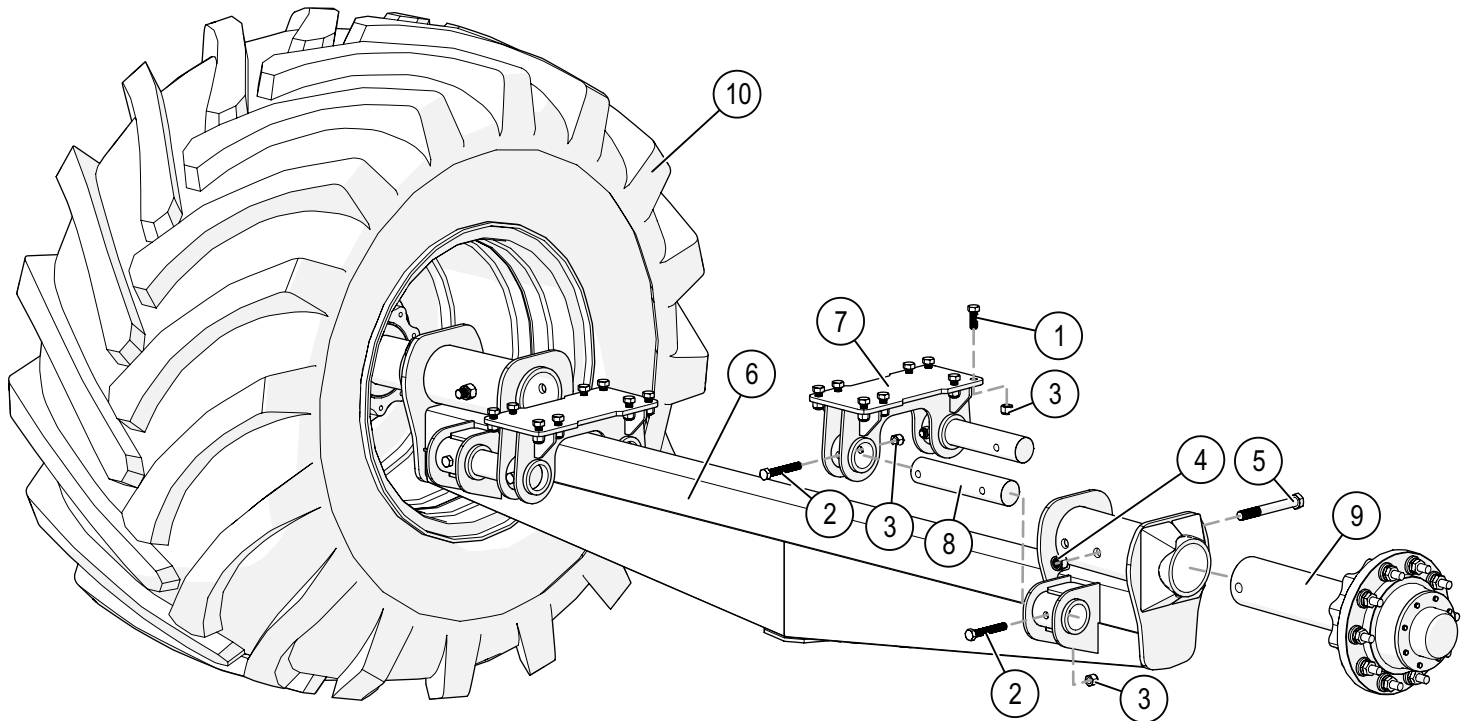


ID	Item No	Description	Qty
1	16259	BOLT .375NC X 1.00 GR5 HEX FLG	34
2	16260	NUT, .375NC NYLON LOCK FLG	34
3	16588	BOLT .50NC X 1.25 GR5 HEX FLANGE	1
4	16590	NUT, .50NC LOCK, NY. INSERT FLANGE	1
5	17595	RH EXTENSION 850 GC	2
6	17596	LH EXTENSION 850 GC	2
7	17597	FRONT EXTENSION 850 GC	1
8	17598	REAR EXTENSION 850 GC	1
9	17599	EXTENSION BRACE	1

When ordering replacement parts please provide the Unit Color and Item Number

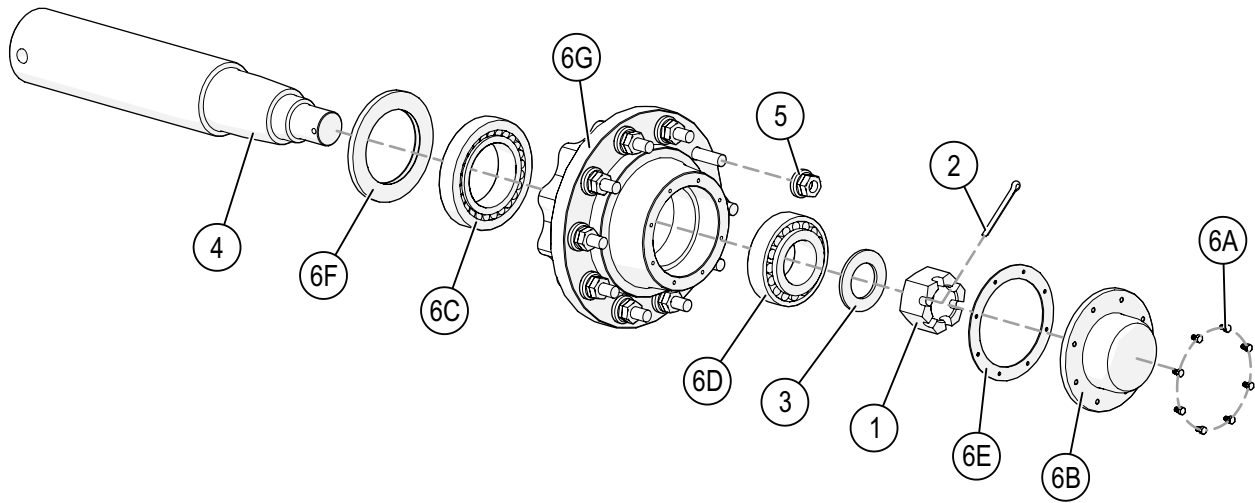
Wheel Axle Assembly

1000 and 1100 Axle



ID	Item No	Description	Qty
1	01235	BOLT .75NC X 2.00 GR5 HEX	16
2	02389	.75NC X 5.00 GR5 HEX BOLT	8
3	02961	.75NC NYLON INSERT LOCK NUT	24
4	09455	NUT, 1.0NF NYLON INSERT HEX	2
5	15134	BOLT 1.0NF X 8.50 GR8 HEX	2
6	17259	FIXED AXLE F/ 1000 & 1100 GC	1
7	17261	WEIGHBAR MOUNT 2.875" TALL	2
8	17312	WEIGH BAR BLANK 2.875	4
9	35785	HUB & NON-SCALE SPINDLE F/1150	2
10	9445230	1050/50R32 WHEEL/TIRE	2
-	9445225	900/60R32 WHEEL/TIRE	-
-	9445231-60	1250/50R32 WHEEL/TIRE	-

When ordering replacement parts please provide the Unit Color and Item Number

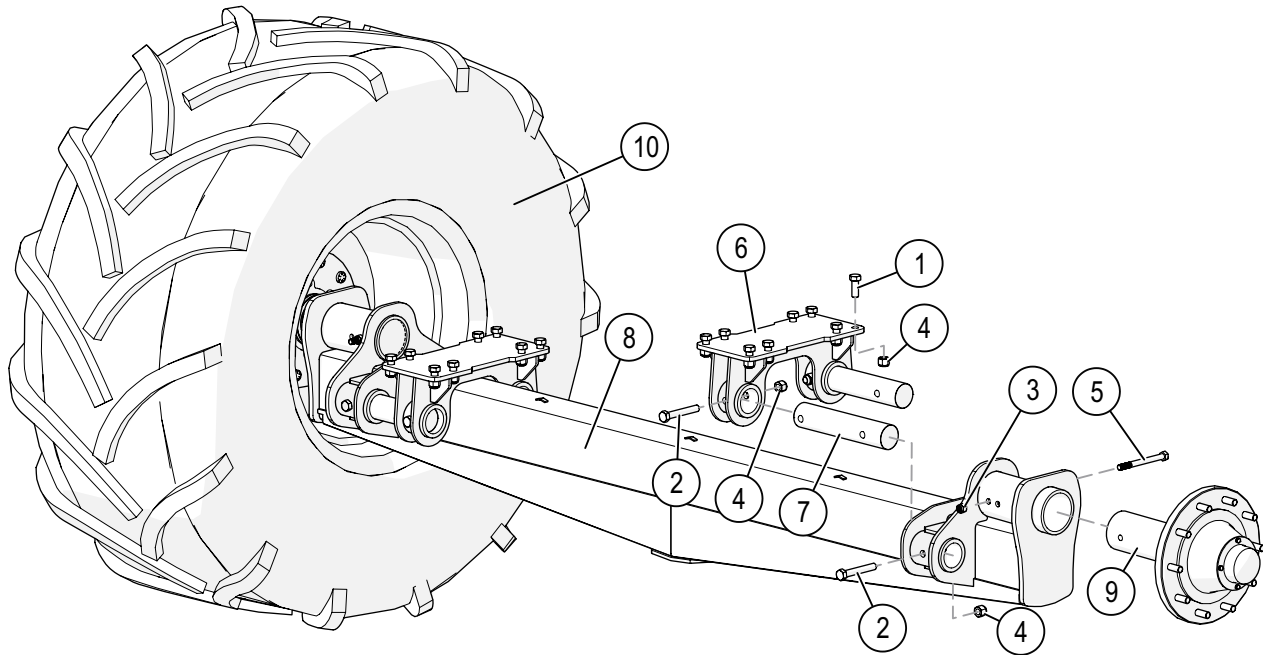


ID	Item No	Description	Qty
1	13899	NUT 2.50-12" SLOTTED HEX	1
2	13911	.375" X 4.0" COTTER PIN	1
3	14017	WASHER 4.50 O.D. x 2.63 I.D. x .25	1
4	14489	SPINDLE F/ 35K HUB	1
5	15830	WHEEL NUT 22MM LOCKING	10
6	6053	HUB 35K BRAKING 10 BOLT	1
6A	04305	BOLT, 5/16NC X .50 GR5 HEX	8
6B	13901	HUB CAP F/ 50K HUB	1
6C	14492	BEARING CONE P752454, TIMKIN	1
6D	14493	BEARING CONE P752451, TIMKIN	1
6E	14025	GREASE SEAL F/ 13900	1
6F	14494	SEAL OIL F/ 35K HUB (14495)	1
6G	14495	HUB 35K W/ INNER & OUTER CUPS & STUD BOLTS	1
-	14026	REPLACEMENT STUD	-

When ordering replacement parts please provide the Unit Color and Item Number

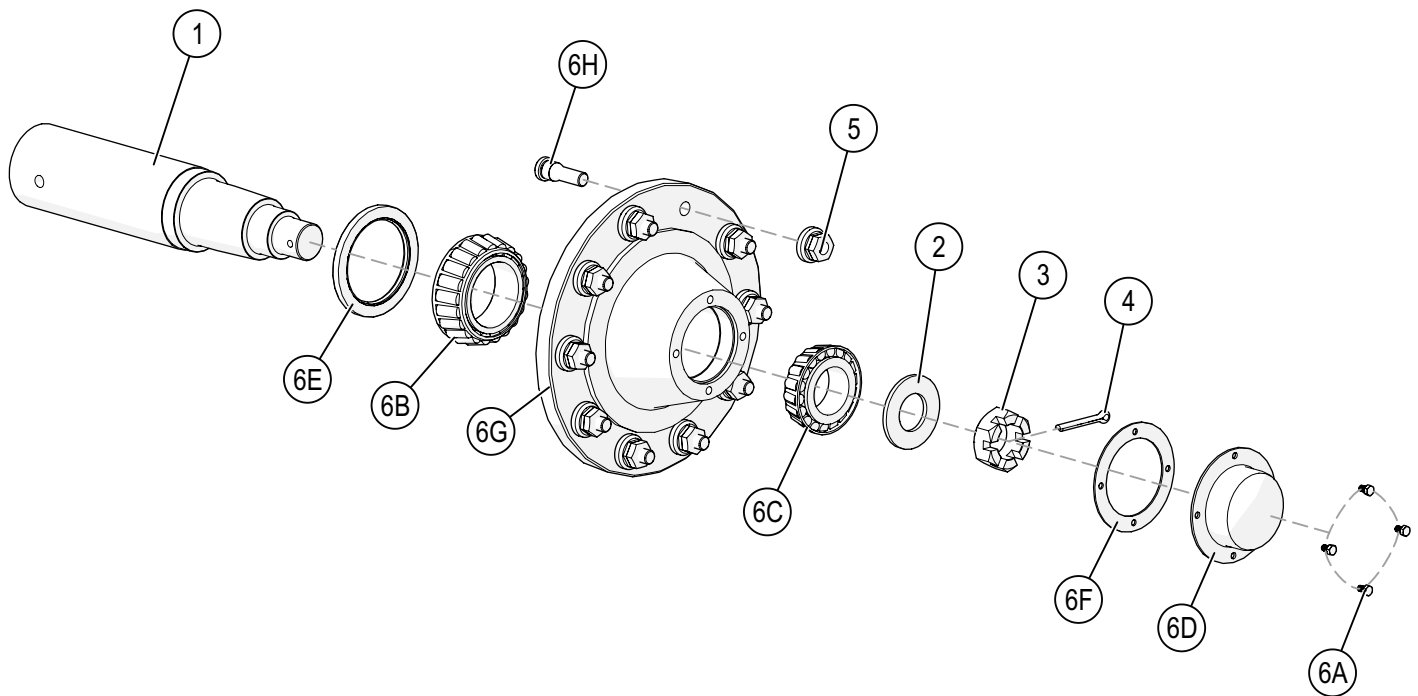
Wheel Axle Assembly

850 Axle



ID	Item No	Description	Qty
1	01235	BOLT .75NC X 2.00 GR5 HEX	16
2	02389	.75NC X 5.00 GR5 HEX BOLT	8
3	02587	NUT, .625 NC NYLON LOCK	2
4	02961	NUT, .75NC LOCK NYLON INSERT	24
5	04836	HEX BOLT .625NC X 7.00	2
6	17261	WEIGHBAR MOUNT 2.875" TALL	2
7	17312	WEIGH BAR BLANK 2.875	4
8	17594	FIXED AXLE F/ 850 SA GC	1
9	35735	HUB/SPINDLE PREASSY, DUCTILE	2
10	9445201	24.5" X 32 12 PLY LUG TIRE & WHEEL	2
-	9445203	30.5" X 32, 12 PLY LUG TIRE & WHEEL	-
-	9445218-60	900/60R32 LUG TIRE & WHEEL	-

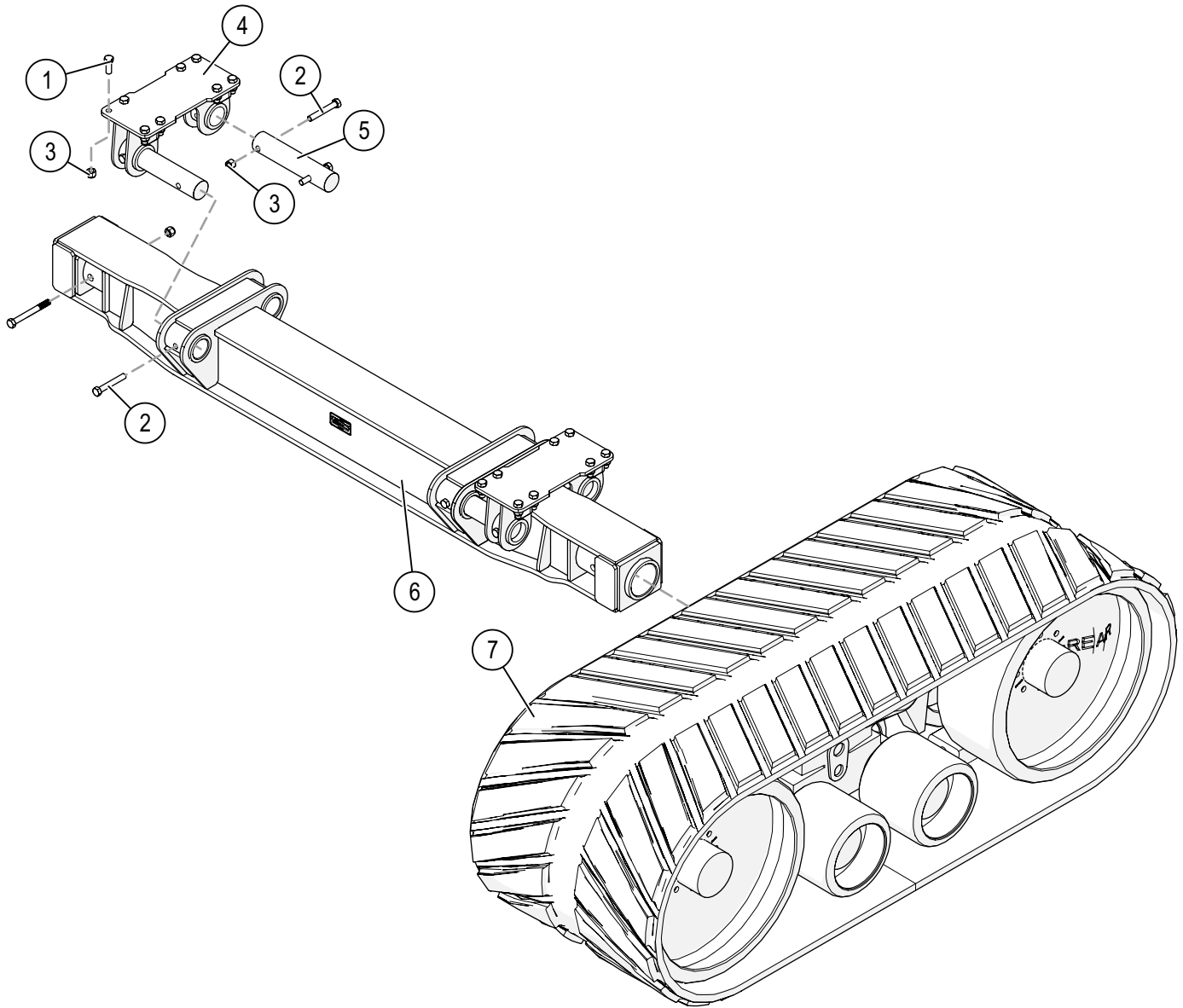
When ordering replacement parts please provide the Unit Color and Item Number



ID	Item No	Description	Qty
1	09204	SPINDLE, 4.5" GRAIN CART	1
2	09444	HUB/ SPINDLE WASHER	1
3	09445	NUT 2.0 NF SLOTTED HEX	1
4	09446	.375" X 3.0" COTTER PIN	1
5	07435	WHEEL NUT FLANGED .750NF	10
6	5938	HUB ASSEMBLY 10-BOLT, DUCTILE	1
6A	04305	BOLT, 5/16NC X .50 GR5 HEX	4
6B	09449	INNER CONE BEARING	1
6C	09450	OUTER CONE BEARING	1
6D	09451	DUST CAP	1
6E	09452	OIL SEAL	1
6F	12525	HUB CAP GASKET	1
6G	13616	HUB, DUCTILE W/ STUD BOLTS	1
6H	07861	BOLT STUD .75-16 UNF X 2.75 GR8 (REPLACEMENT)	1

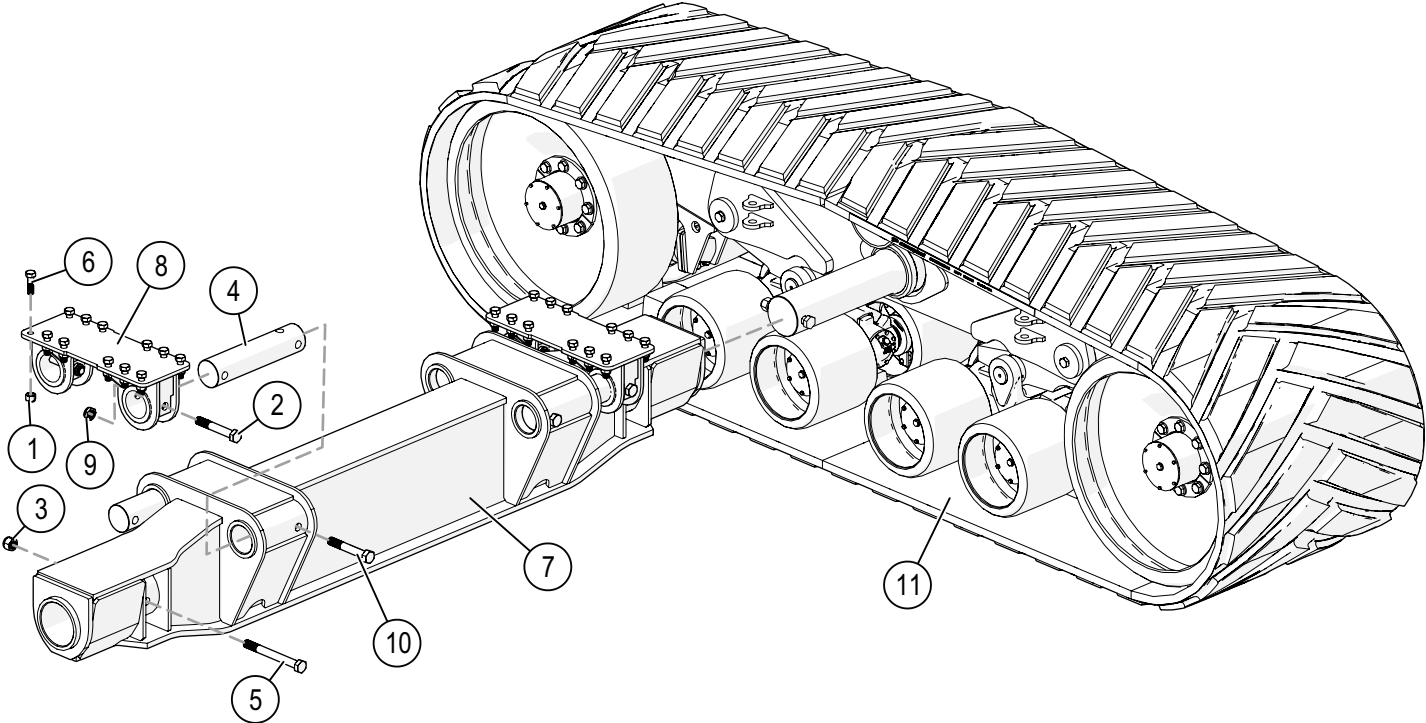
When ordering replacement parts please provide the Unit Color and Item Number

2 Bogie Track Axle Assembly



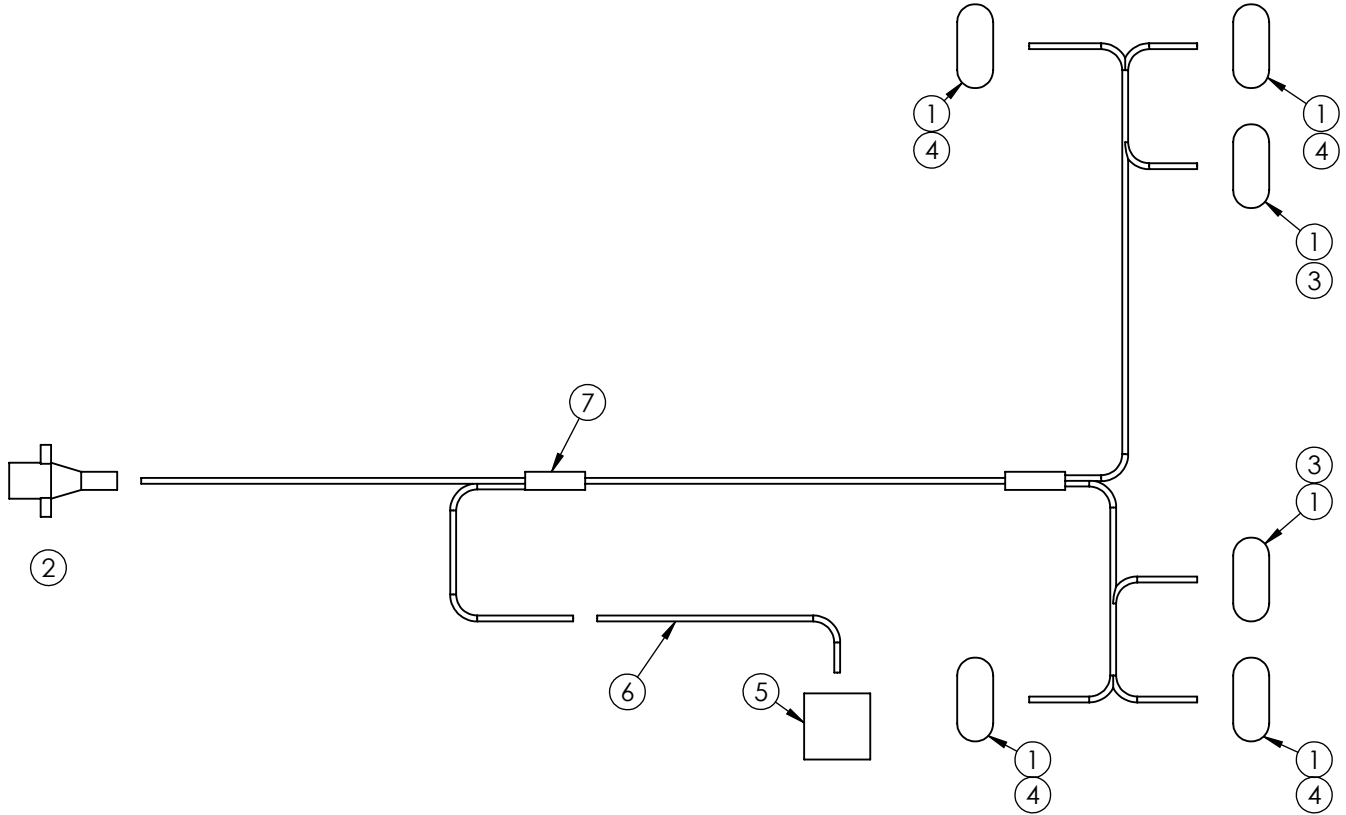
ID	Item No	Description	Qty
1	01235	BOLT .75NC X 2.00 GR5 HEX	16
2	02389	.75NC X 5.00 GR5 HEX BOLT	8
3	02961	.75NC NYLON INSERT LOCK NUT	20
4	17261	WEIGHBAR MOUNT 2.875" TALL	2
5	17312	WEIGH BAR BLANK 2.875	4
6	17331	1000/1100 SA TRACK AXLE	1
7	6386	TRACK CARRIAGE KIT	1

When ordering replacement parts please provide the Unit Color and Item Number



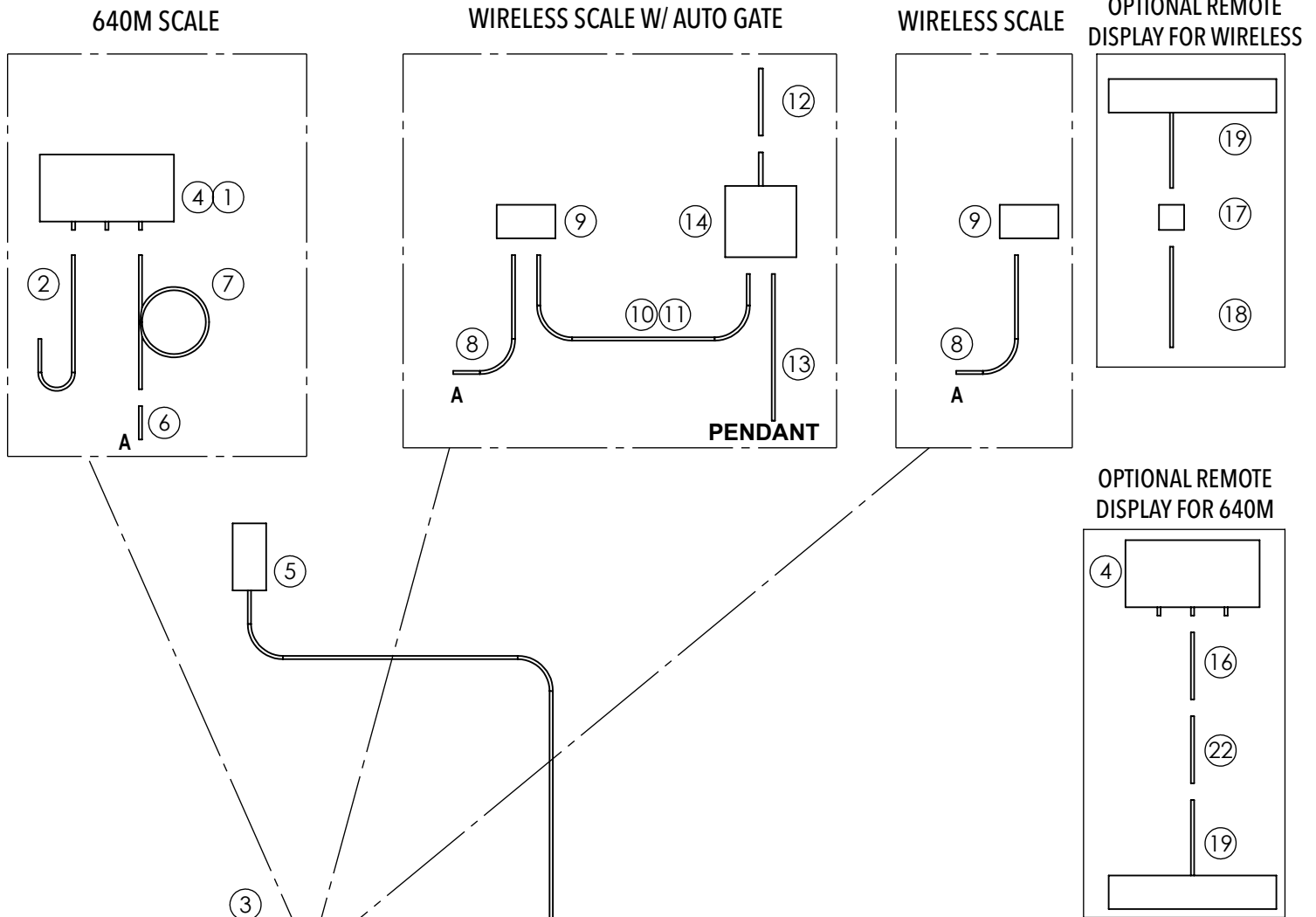
ID	Item No	Description	Qty
1	02961	.75NC NYLON INSERT LOCK NUT	24
2	09454	BOLT 1.0NF X 6.50 GR8 HEX	4
3	09455	NUT, 1.0NF NYLON INSERT HEX	2
4	14014	PIN HITCH 3.75 OD	4
5	14029	BOLT 1.0NF X 9.50 GR8 HEX	2
6	14700	BOLT .75NC X 2.50 GR8 HEX	24
7	17332	4 BOGIE TRACK CENTER	1
8	17443	WEIGHBAR MOUNT 3.75" TALL	2
9	17444	NUT, 1.0NF NYLON INSERT HEX JAM	4
10	17445	BOLT 1.00-8UNC X 6.50 GR.8	4
11	6295	TRACK CARRIAGE KIT	1

When ordering replacement parts please provide the Unit Color and Item Number



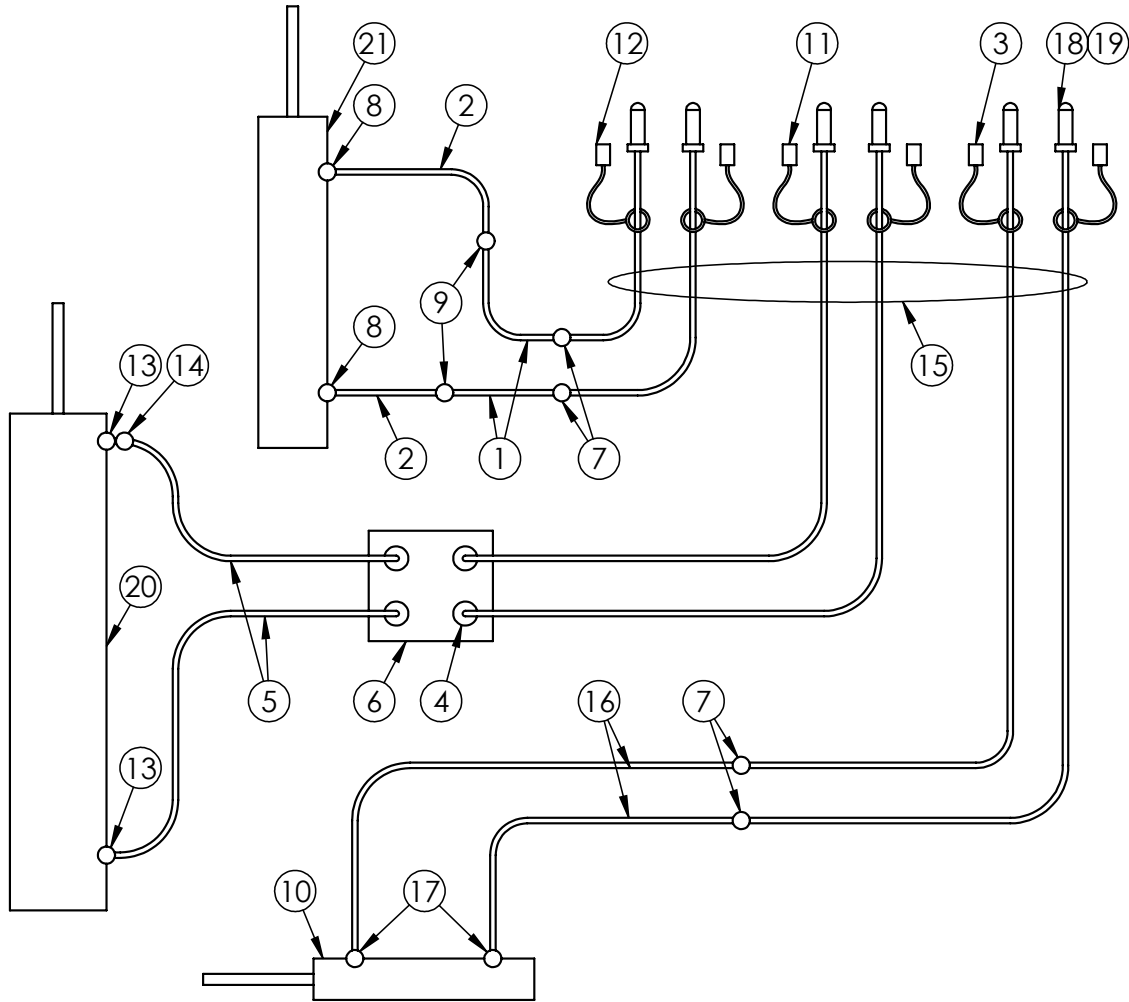
ID	Item No	Description	Qty
1	03652	GROMMET RUBBER OVAL	6
2	07416	PLUG CONNECTOR 7-WAY MALE	1
3	14923	LIGHT 2.3" X 6.5" LED RED	2
4	14924	LIGHT 2.3" X 6.5" LED YELLOW	4
5	14926	LIGHT WORK LED	1
6	14981	HARNES WIRE CHUTE LIGHT	1
7	17313	HARNES WIRE 1000/1100 SA MODELS CART	1

When ordering replacement parts please provide the Unit Color and Item Number



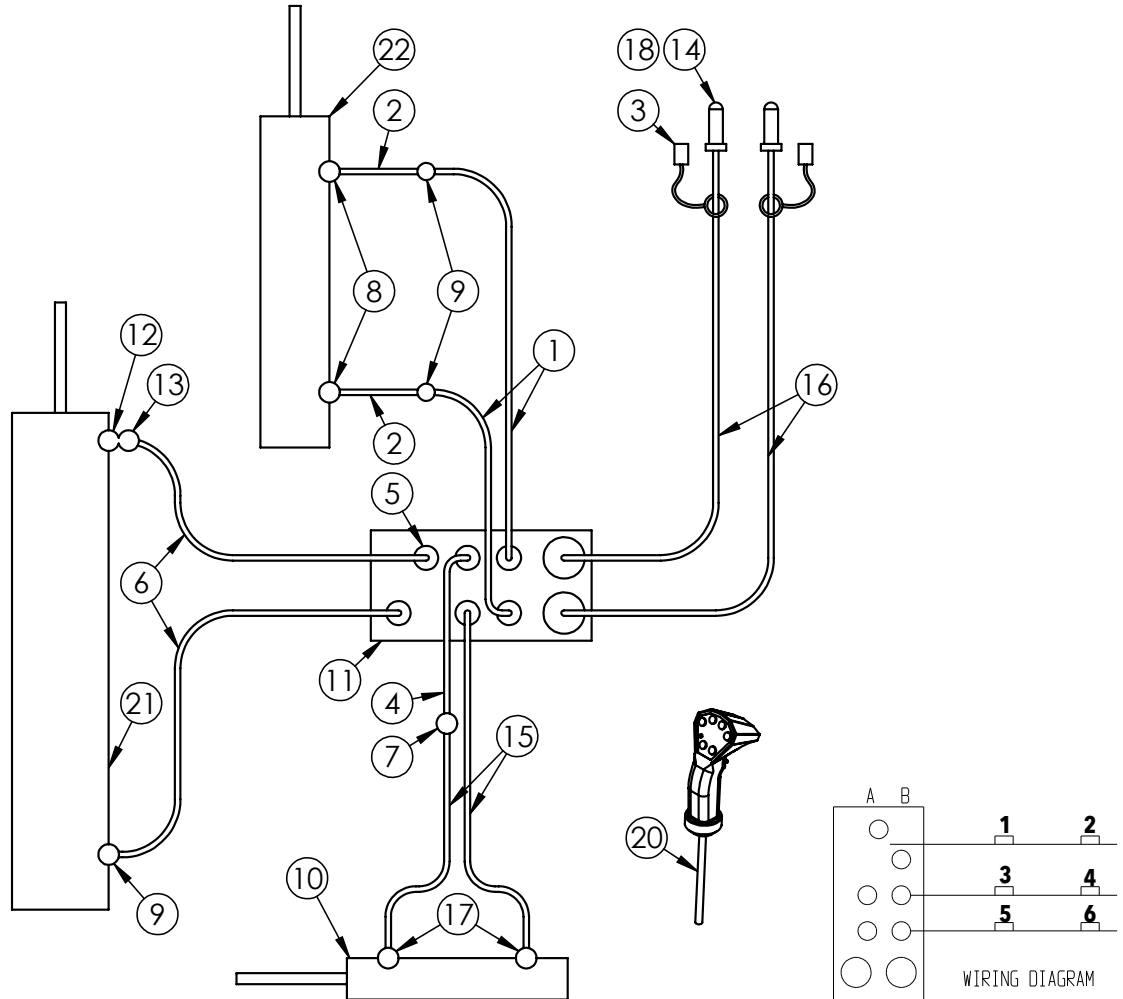
ID	Item No	Description	Qty
1	09440	640M SCALE BRACKET	1
2	09441	POWER CORD 8 FT	1
3	10941	JUNCTION BOX 7 PLUG	1
4	12259	MONITOR WEIGHTRONIX 640M	1
5	12263	WEIGHBAR 2.875 x 19.25 W/ CABLE (HITCH)	1
6	12264	HARNESS 25 FT JUNCTION BOX TO CONSOLE	1
7	13266	HARNESS 15 FT EXTENSION HITCH TO CONSOLE (OPTIONAL)	1
8	14992	CABLE F/ WIRELESS SCALE 5P TO AMP 3FT	1
-	15360	BATTERY AA 3.6V LITHIUM (REPLACEMENT)	-
9	15968	CONTROL BOX W/ WIRELESS SCALE W/ AUTO GATE	1
10	16409	HARNESS 26 FT AUTO GATE	1
11	16410	HARNESS 12 FT EXTENSION FOR 16409	1
12	17004	HARNESS 26' HITCH TO BLOCK	1
13	17005	PENDANT 6 FUNCTION	1
14	17067	WEIGHT SCALE CONTROL BOX AUTO GATE F/ BACKLIT PENDANT	1
15	17299	WEIGHBAR 2.875 x 14.00W/ CABLE (AXLE)	4
-	13983	WEIGHBAR 3.75 x 15.75 W/ CALBE (4 BOGIE TRACK ONLY)	4
16	18199	CABLE EXTENSION 10' F/ REMOTE DISPLAY (OPTIONAL)	1
17	18356	SERIAL LINK, DATA INTERFACE MODULE	1
18	18358	SERIAL LINK POWER CABLE	1
19	18430	REMOTE DISPLAY 4"	1
20	18478	REMOTE DISPLAY MOUNT (NOT SHOWN)	1
21	18479	DISPLAY MOUNT (NOT SHOWN)	1
22	18491	CABLE FOR REMOTE DISPLAY TO 640M 10'	1

When ordering replacement parts please provide the Unit Color and Item Number



ID	Item No	Description	Qty
1	05190	1/4" X 48" HYDRAULIC HOSE	2
2	05191	1/4" X 36" HYDRAULIC HOSE	2
3	05198	RUBBER COUPLER COVER BLACK	2
4	05243	STRAIGHT #6 JIC X #6 W/ O-RING	4
5	05839	1/4" X 142" HYDRAULIC HOSE	2
6	07582	PILOT OPERATED CHECK VALVE 4 WAY	1
7	09950	UNION #6 JIC MALE 2X	4
8	11143	ELBOW #6M JIC & #6 O-RING	2
9	12374	BULKHEAD 3/8 JIC 45° ELBOW	2
10	12522-30	ADJUSTABLE CHUTE CYLINDER (CHUTE) (BLACK)	1
11	12677	RUBBER COUPLER COVER RED	2
12	12678	RUBBER COUPLER COVER YELLOW	2
13	13442	ELBOW #6M JIC & #6 O-RING	2
14	13631	ORIFICE JIC#6 .060	1
15	13883	1/4" X 18' HYDRAULIC HOSE W/ COUPLER	6
16	13884	1/4" X 258" HYDRAULIC HOSE	2
17	13886	ELBOW #6 O-RING & #6M JIC W/ .041 ORIFICE	2
18	13888	QUICK COUPLER #8 O-RING (REPLACEMENT)	-
19	13889	O-RING #8 (REPLACEMENT)	-
20	17104	AUGER FOLD CYLINDER (FOLDING) (RED)	1
21	17317-30	INNER DOOR CYLINDER (FLOW) (YELLOW)	1

When ordering replacement parts please provide the Unit Color and Item Number



Loc	Description	Loc	Description
1	Auger OUT	2	Auger IN
3	Chute LEFT	4	Chute RIGHT
5	Door CLOSE	6	Door OPEN

ID	Item No	Description	Qty
1	05190	1/4" X 48" HYDRAULIC HOSE	2
2	05191	1/4" X 36" HYDRAULIC HOSE	2
3	05198	RUBBER COUPLER COVER BLACK	2
4	05212	1/4" X 18" HYDRAULIC HOSE	1
5	05243	STRAIGHT #6 JIC X #6 W/ O-RING	6
6	05839	1/4" X 142" HYDRAULIC HOSE	2
7	09950	UNION #6 JIC MALE 2X	1
8	11143	ELBOW #6M JIC & #6 O-RING	2
9	12374	BULKHEAD 3/8 JIC 45° ELBOW	2
10	12522-30	ADJUSTABLE CHUTE CYLINDER (CHUTE)	1
11	13064	BLOCK HYD 3 FUNCTION FOR GRAIN CART	1
-	14084	CARTRIDGE GS04 (REPLACEMENT)	

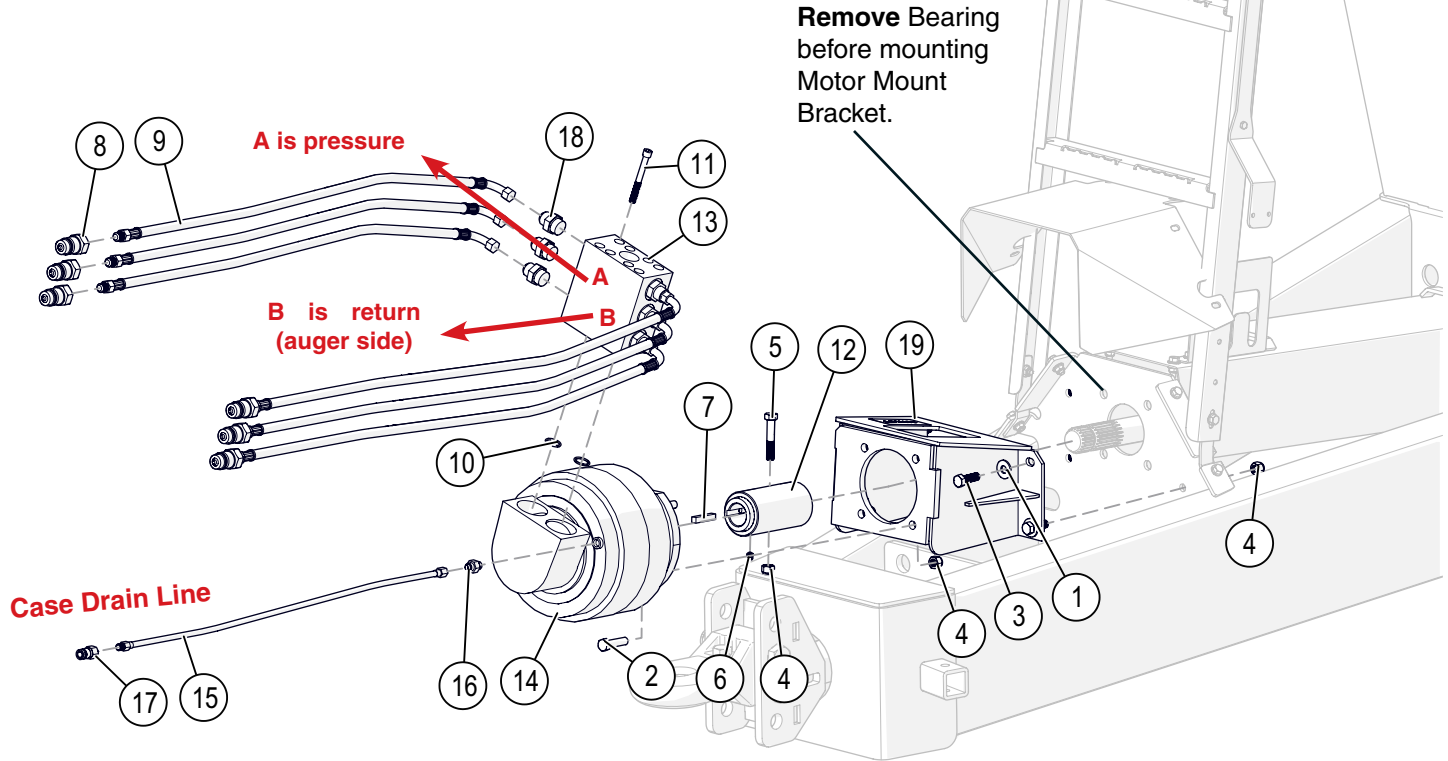
ID	Item No	Description	Qty
-	15636	COIL (REPLACEMENT)	
12	13442	ELBOW #6M JIC & #6 O-RING	2
13	13631	ORIFICE JIC#6 .060	1
14	13786	QUICK COUPLER #10 O-RING (REPLACEMENT)	-
15	13884	1/4" X 258" HYDRAULIC HOSE	2
16	13885	1/2" X 22' HYDRAULIC HOSE W/ COUPLER	2
17	13886	ELBOW #6 O-RING & #6M JIC W/ .041 ORIFICE	2
18	13891	O-RING #10 (REPLACEMENT)	-
19	17004	HARNES 26' HITCH/BLOCK 6 FUNC	1
20	17005	PENDANT 6/8 FUNCTION BACKLIT	1
21	17104	AUGER FOLD CYLINDER (FOLDING)	1
22	17317-30	INNER DOOR CYLINDER (FLOW)	1

When ordering replacement parts please provide the Unit Color and Item Number

NOTE:
Do Not Exceed 75 GPM
 of Oil to Hydraulic Motor.
 Fill motor with Hydraulic oil
BEFORE running.

ATTENTION

Case Drain Line **MUST** be connected to
 Zero Return Port on Tractor before running
 Hydraulic Motor.



ID	Item No	Description	Qty
1	00085	.50 FLAT WASHER	4
2	01253	BOLT .50NC X 2.00 HEX HEAD GR.5	4
3	01254	BOLT .50 NC X 1.50 GR.5 HEX	4
4	02178	NUT .50NC LOCK NY. INSERT	9
5	04797	BOLT .50NC X 2.75 GR5 HEX	1
6	05256	SET SCREW .375NC X .50 SOCKET HEAD	1
7	13535	.375 x .375 x 2.00 KEY	1
8	13786	QUICK COUPLER #10 O-RING WITH MALE TIP	6
9	13787	HYD HOSE .63 X 168 F#10 JIC ELB X M#10 O-RING	6
10	13789	REPLACEMENT O-RING F/ 13499 BLOCK	2
11	13790	REPLACEMENT CAP SCREW 3.50" F/ 13499	8
12	15110	COUPLER ASSY 1.75-20 X 1.50 KEY	1
13	15111	FS HYD MOTOR VALVE MANIFOLD	1
14	15112	FS350 HYD MOTOR	1
15	15234	HYD HOSE .38 X 168" - CASE DRAIN	1
16	15235	FTG BRITISH PARALLEL	1
17	15236	QUICK COUPLER CASE DRAIN #8 ORING	1
18	15237	FTG STR #12 MALE O-RING - #10 MALE JIC	6
19	17320	HYDRAULIC MOTOR MT F/850, 1000, & 1100	1

When ordering replacement parts please provide the Unit Color and Item Number



TORQUE SPECIFICATIONS

Torque figures indicated are valid for non-greased or non-oiled threads and heads unless otherwise specified. Therefore, do not grease or oil bolts or capscrews unless otherwise specified in this manual. When using locking elements, increase torque values by 5%.

* GRADE or CLASS value for bolts and capscrews are identified by their head markings.

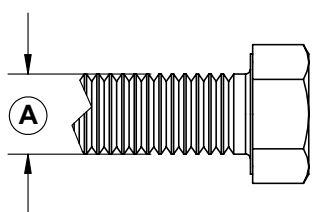
BOLT TORQUE DATA FOR STANDARD NUTS, BOLTS, AND CAPSCREWS.

Tighten all bolts to torques specified in chart unless otherwise noted. Check tightness of bolts periodically, using bolt chart as guide. Replace hardware with same grade bolt.

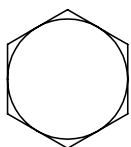
NOTE: Unless otherwise specified, high-strength Grade 5 hex bolts are used throughout assembly of equipment.

* BOLT TORQUE FOR STANDARD BOLTS						
"A"	GRADE 2		GRADE 5		GRADE 8	
	lb-ft	(N.m)	lb-ft	(N.m)	lb-ft	(N.m)
1/4"	6	(8)	9	(12)	12	(16)
5/16"	10	(13)	18	(25)	25	(35)
3/8"	20	(27)	30	(40)	45	(60)
7/16"	30	(40)	50	(70)	80	(110)
1/2"	45	(60)	75	(100)	115	(155)
9/16"	70	(95)	115	(155)	165	(220)
5/8"	95	(130)	150	(200)	225	(300)
3/4"	165	(225)	290	(390)	400	(540)
7/8"	170	(230)	420	(570)	650	(880)
1"	225	(300)	630	(850)	970	(1310)

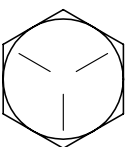
* BOLT TORQUE FOR METRIC BOLTS						
"A"	CLASS 8.8		CLASS 9.8		CLASS 10.9	
	lb-ft	(N.m)	lb-ft	(N.m)	lb-ft	(N.m)
6	9	(13)	10	(14)	13	(17)
7	15	(21)	18	(24)	21	(29)
8	23	(31)	25	(34)	31	(42)
10	45	(61)	50	(68)	61	(83)
12	78	(106)	88	(118)	106	(144)
14	125	(169)	140	(189)	170	(230)
16	194	(263)	216	(293)	263	(357)
18	268	(363)	--	--	364	(493)
20	378	(513)	--	--	515	(689)
22	516	(699)	--	--	702	(952)
24	654	(886)	--	--	890	(1206)



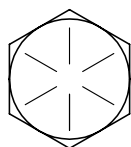
GRADE-2



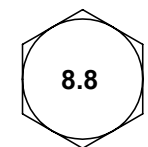
GRADE-5



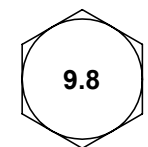
GRADE-8



CLASS 8.8



CLASS 9.8



CLASS 10.9



When ordering replacement parts please provide the Unit Color and Item Number

DEMCO

4010 320th St., Boyden, IA. 51234

Phone: (712) 725-2311

Fax: (712) 725-2380

Toll Free: 1-800-54DEMCO (1-800-543-3626)

**Demco warranty policies, operator manuals, and product registration
can be found online:**

www.demco-products.com