



AC20129, Rev 1  
04/22

*Doing Our Best to Provide You the Best*

---

## **SIDEQUEST® BRACKETS**

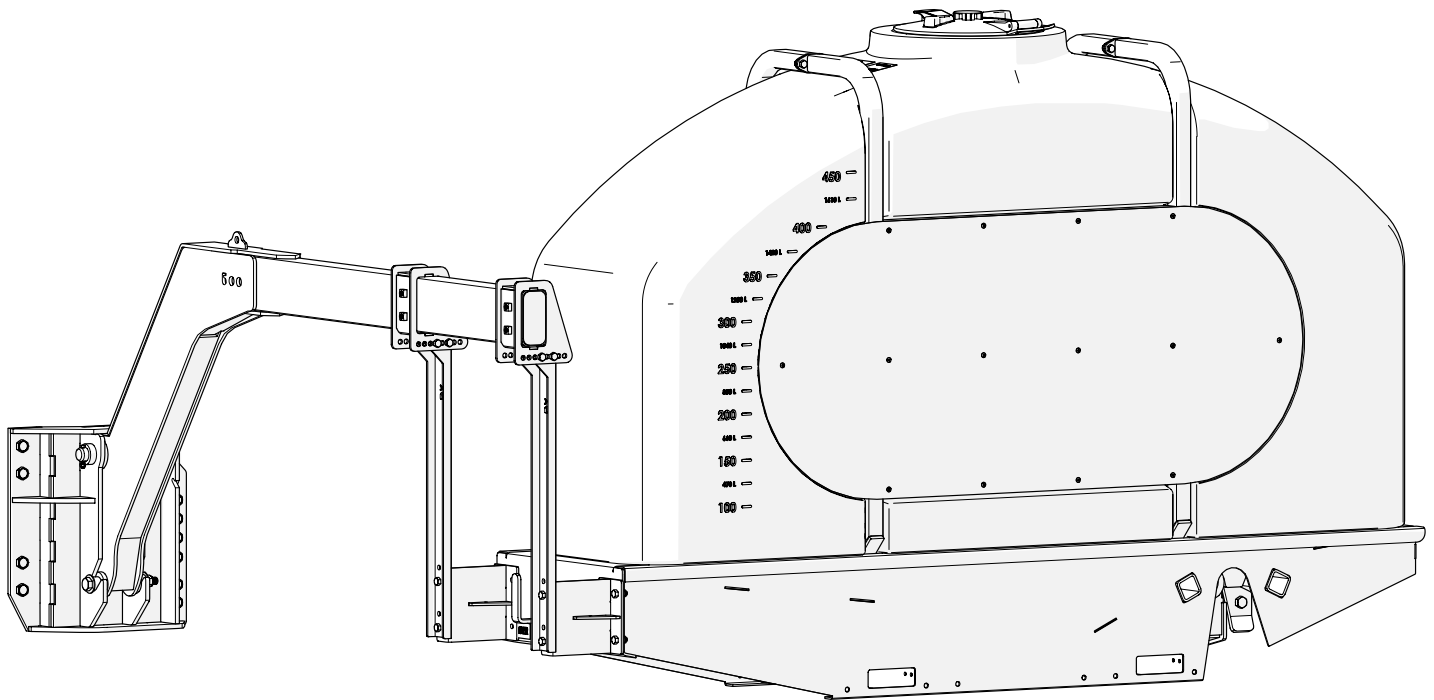
### **JOHN DEERE® 8RX**

---

#### **8RX MODELS:**

**310, 340, 370, 410**

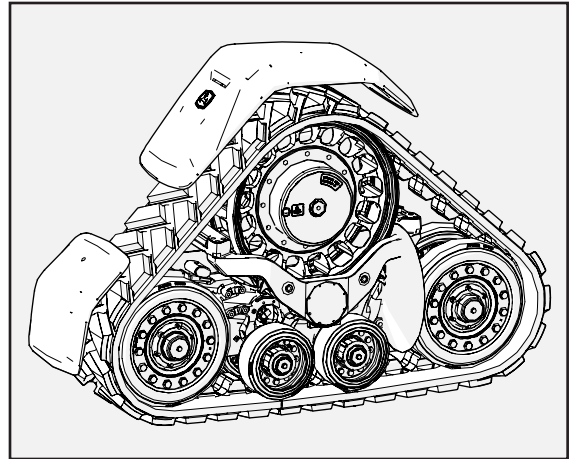
Units designed for tractors with 120" track spacing. Limited cab access with 88" wheel spacing.



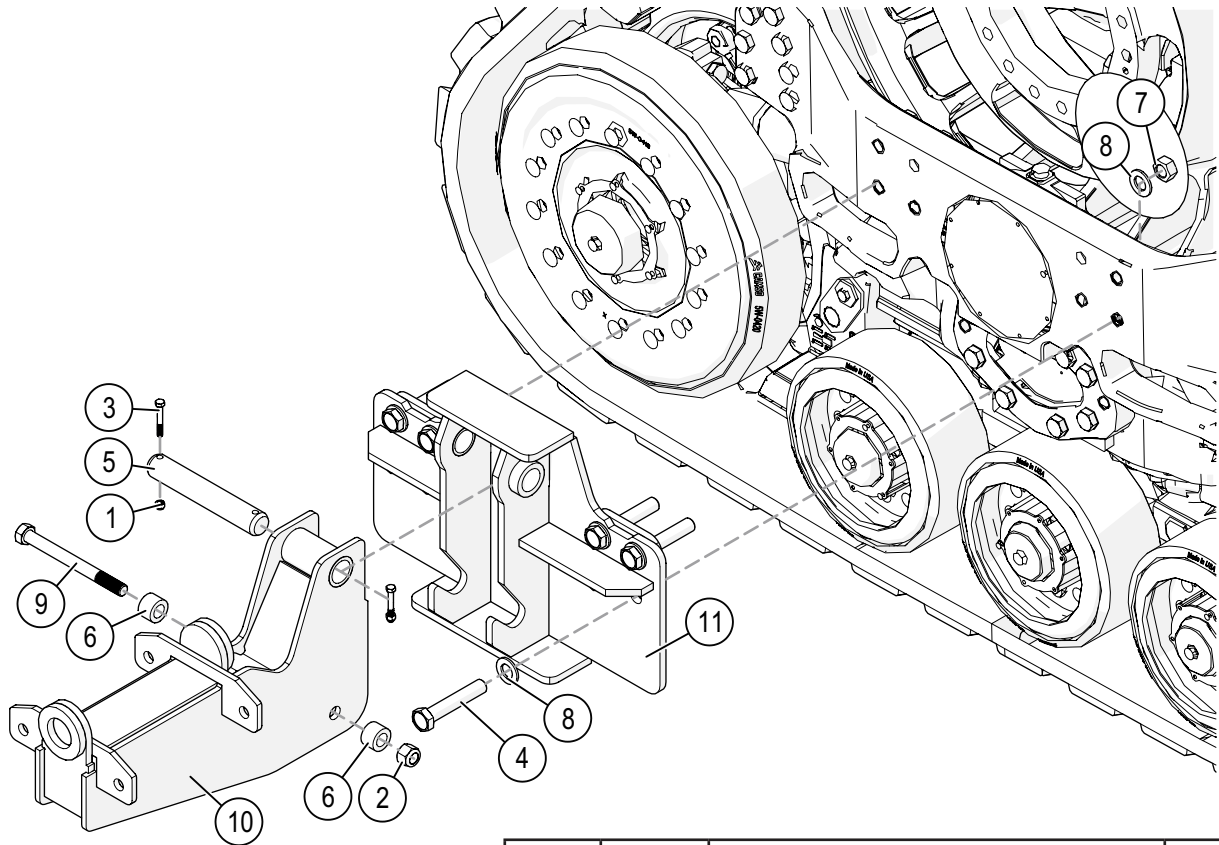
**OPERATOR MANUAL**

## PRE-INSTALLATION

BEFORE BEGINNING THE INSTALLATION, INSTALL THE SIDEQUEST BASEPLATES AND REMOVE THE LOWER FENDER ON THE FRONT TRACK UNIT.



## REAR TRACK BASEPLATES



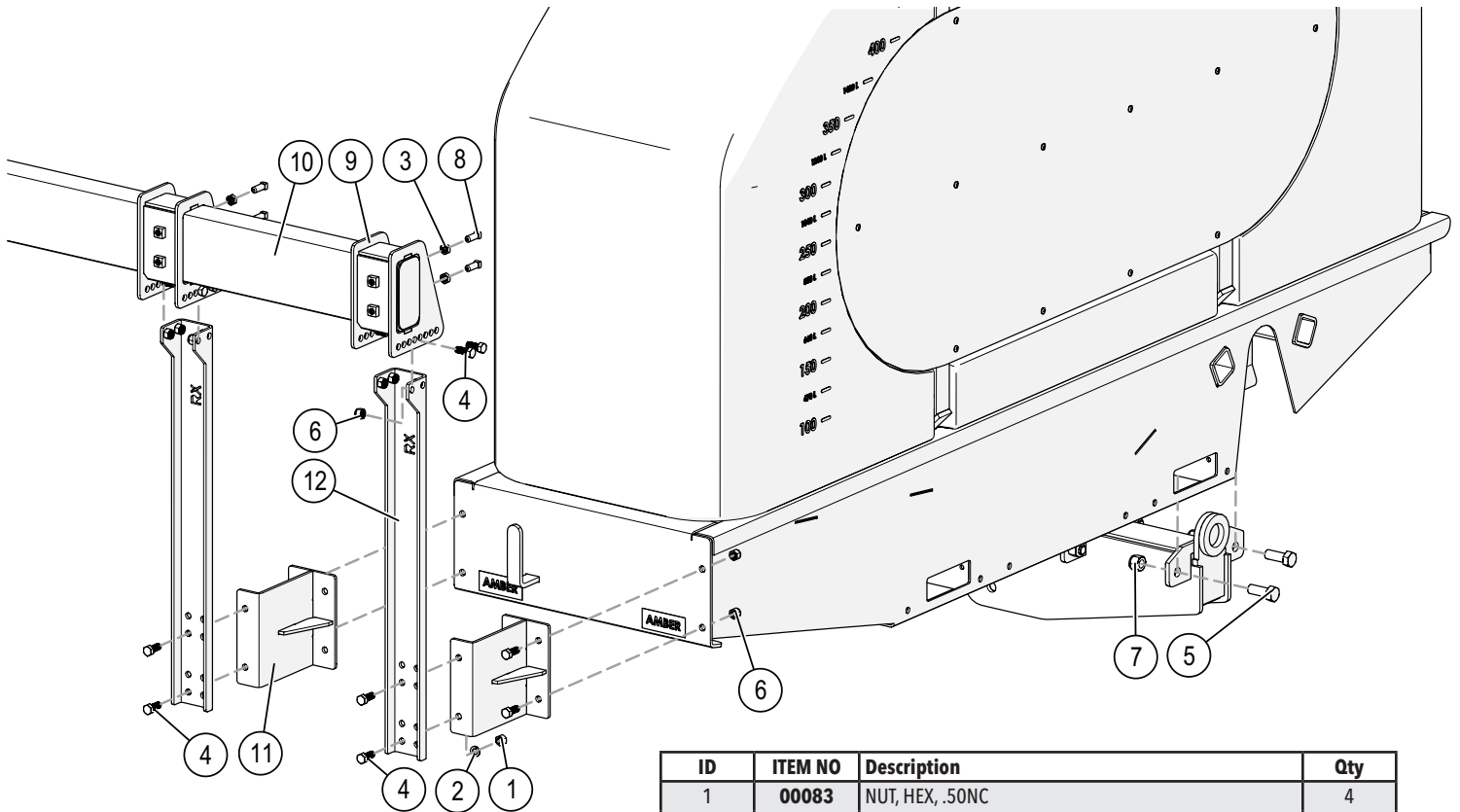
BOLT SIZE - GRADE	TORQUE (lb-ft)
M20 - 10.9	390
M22 - 10.9	450
1/2" - GR 5	75

ID	ITEM NO	Description	Qty
1	02802	NUT, .313 NC NYLON LOCK	2
2	02961	.75NC NYLON INSERT LOCK NUT	1
3	03547	BOLT .313NC X 2.25 GR5 HEX	2
4	13222	BOLT, 22MM-2.50 X 120MM GR10.9 HEX HEAD	8
5	13802-95	OVERHEAD PIN	1
6	13816-95	BUSHING 1.5 X 1	2
7	17130	NUT M22-2.50 CLASS 10.9	8
8	17131	WASHER FLAT .875 HARDENED	16
9	17449	BOLT .75NC X 8.00 GR5 HEX	1
10	17503-76	JOHN DEERE TRACK SADDLE SQ1000 SUPPORT	1
-	17555-76	JOHN DEERE TRACK SADDLE SQ1200 SUPPORT	1
11	17504-76	BASEPLATE F/ JD8RX REAR TRACK	1

QUANTITY SHOWN FOR ONE SIDE

# 1000 GALLON FRONT ARM AND SADDLE ATTACHMENT

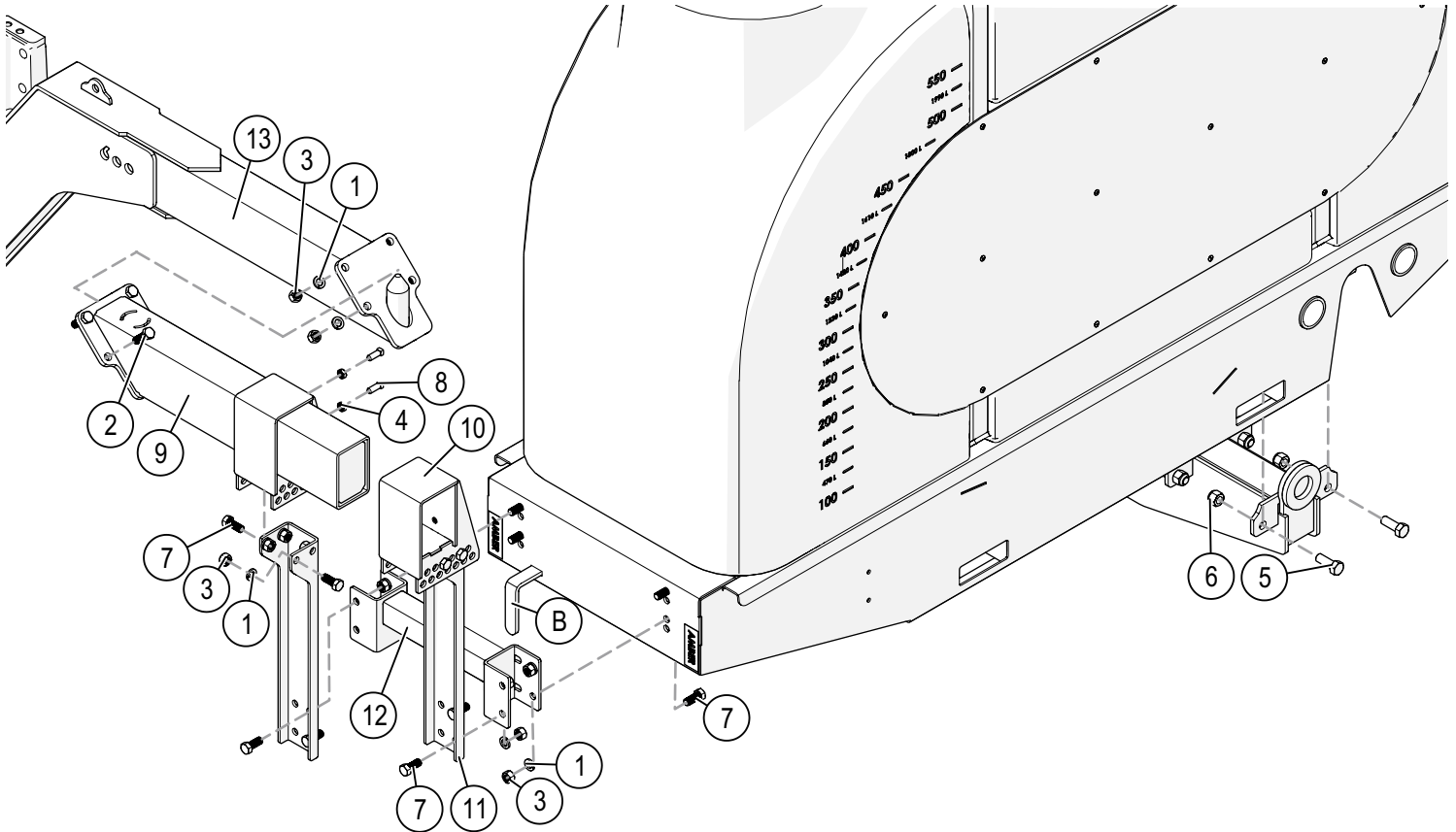
Unit designed for tractors with 120" track spacing. Limited cab access with 88" wheel spacing.



ID	ITEM NO	Description	Qty
1	00083	NUT, HEX, .50NC	4
2	00084	.50 LOCKWASHER	4
3	00640	NUT .50NC JAM	4
4	00967	BOLT .50NC X 1.25 GR5 HEX	16
5	01235	BOLT .75NC X 2.00 GR5 HEX	4
6	02178	NUT, .50NC LOCK, NY. INSERT	12
7	02961	.75NC NYLON INSERT LOCK NUT	4
8	06102	SET SCREW .50NC X 1.25 CUP	4
9	13023-76	TUBE SLIDE BOX F/ SIDEQUEST ADJUSTABLE	2
10	17358-76	OVERHEAD ARM SQ1000	1
11	17495-76	SPACER FOR SQ1000	2
12	17506-76	DROP CHANNEL, SQ1000 8RX	2
QUANTITY SHOWN FOR ONE SIDE			

# 1200 GALLON FRONT ARM AND SADDLE ATTACHMENT

Unit designed for tractors with 120" track spacing only.



B - The valve handle must be turned pointing down to install the spacer to the tank saddle.

ID	ITEM NO	Description	Qty
1	00248	WASHER SPRING LOCK 0.625	20
2	00290	BOLT .625NC X 2.00 GR5 HEX	4
3	00291	NUT .625NC HEX	20
4	00640	NUT .50NC JAM	4
5	01235	BOLT .75NC X 2.00 GR5 HEX	4
6	02961	NUT .75NC NYLON INSERT LOCK	4
7	04051	BOLT .625NC X 1.50 GR5 HEX	16
8	06102	SET SCREW .50NC X 1.25 CUP	4
9	14939-76	EXTENSION ARM ASSEMBLY	1
10	15429-76	SLIDE TUBE ASSEMBLY	2
11	17554-76	DROP CHANNEL, LONG WIDE	2
12	16635-76	SPACER F/ SQ 1200 4 INCH	1
13	16865-76	OVERHEAD ARM SQ1200	1
QUANTITY SHOWN FOR ONE SIDE			



4010 320th St., Boyden, IA. 51234

Phone: (712) 725-2311

Fax: (712) 725-2380

Toll Free: 1-800-54DEMCO (1-800-543-3626)

**Demco warranty policies, operator manuals, and product registration can be found online:**

**[www.demco-products.com](http://www.demco-products.com)**