

# DEMCO SIDEQUEST®

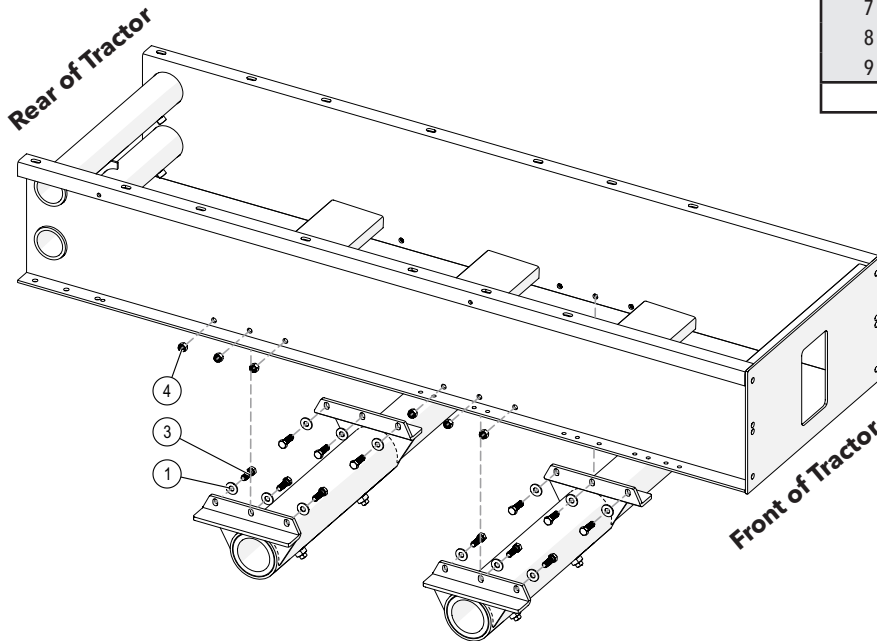
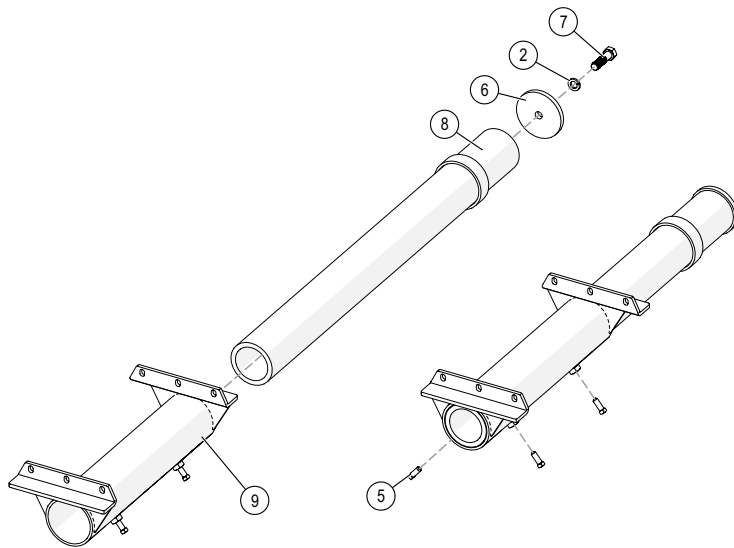
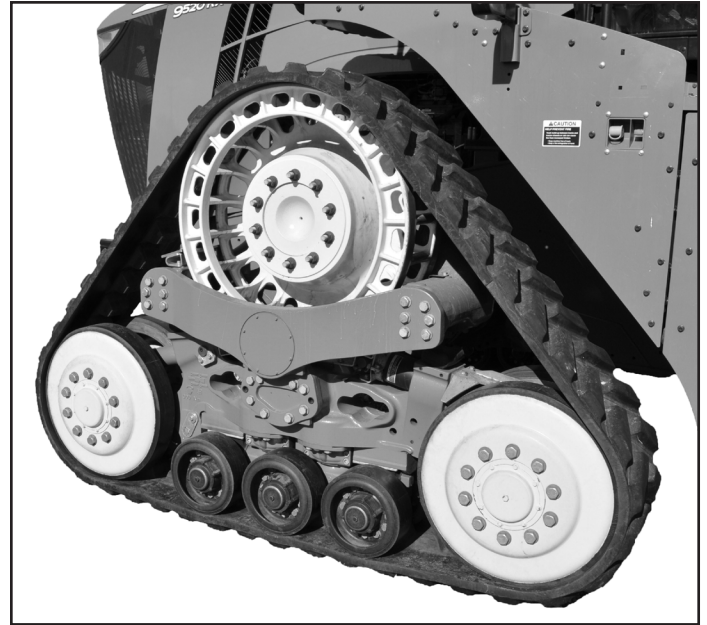
05/21  
AC20123,rev0

**John Deere 9RX  
Narrow/Row Crop Track**  
(18- ) 9420RX, 9470RX, 9520RX  
(22- ) 9RX 490, 540

**READ complete manual CAREFULLY  
BEFORE attempting operation.**

### BOLT TORQUE SPECIFICATIONS

SIZE	GR	TORQUE	SIZE	GR	TORQUE
1/2"	5	60 ft/lbs.	3/4"	5	225 ft/lbs.



ITEM	PART #	DESCRIPTION	QTY
1	00085	.50 FLAT WASHER	12
2	00254	.75" LOCKWASHER	2
3	01254	BOLT .50NC X 1.50 GR5 HEX	12
4	02178	NUT, .50NC LOCK, NY. INSERT	12
5	06102	SET SCREW .50NC X 1.25 CUP	8
6	13054	END CAP F/ 30 SERIES	2
7	13055	BOLT, .75 NF X 2.75 HEX HEAD GR. 5	2
8	13623	JD TRACK MOUNTING BRACKET	2
9	17275	JD9RX NARROW TANK SUPPORT BRACKET	2

Please order replacement parts by **PART NO.** and **DESCRIPTION**

- 1) Install mounting brackets (#8) into the combined circle and slot opening of the front track of the tractor.
- 2) Secure the end cap (#6) to bracket with hardware and torque to specifications.
- 3) Slip the tank support brackets (#9) on to mounting brackets (#8). Orient the support brackets with the inside slot measuring about 17-3/4 inches apart.
- 4) Insert set screws into tank support brackets and hand tighten.
- 5) Install tank and saddle on to support brackets and secure with hardware. Position tank with a minimum of 1 inch of clearance from track belt.
- 6) Tighten all remaining fastener hardware.

DEMCO • 4010 320th Street • P.O. Box 189 • Boyden, IA 51234

PH: (712) 725-2311 • Toll Free: 1-800-543-3626 • FAX: (712) 725-2380 or 1-800-845-6420

www.demco-products.com