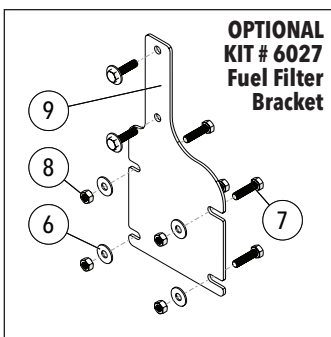
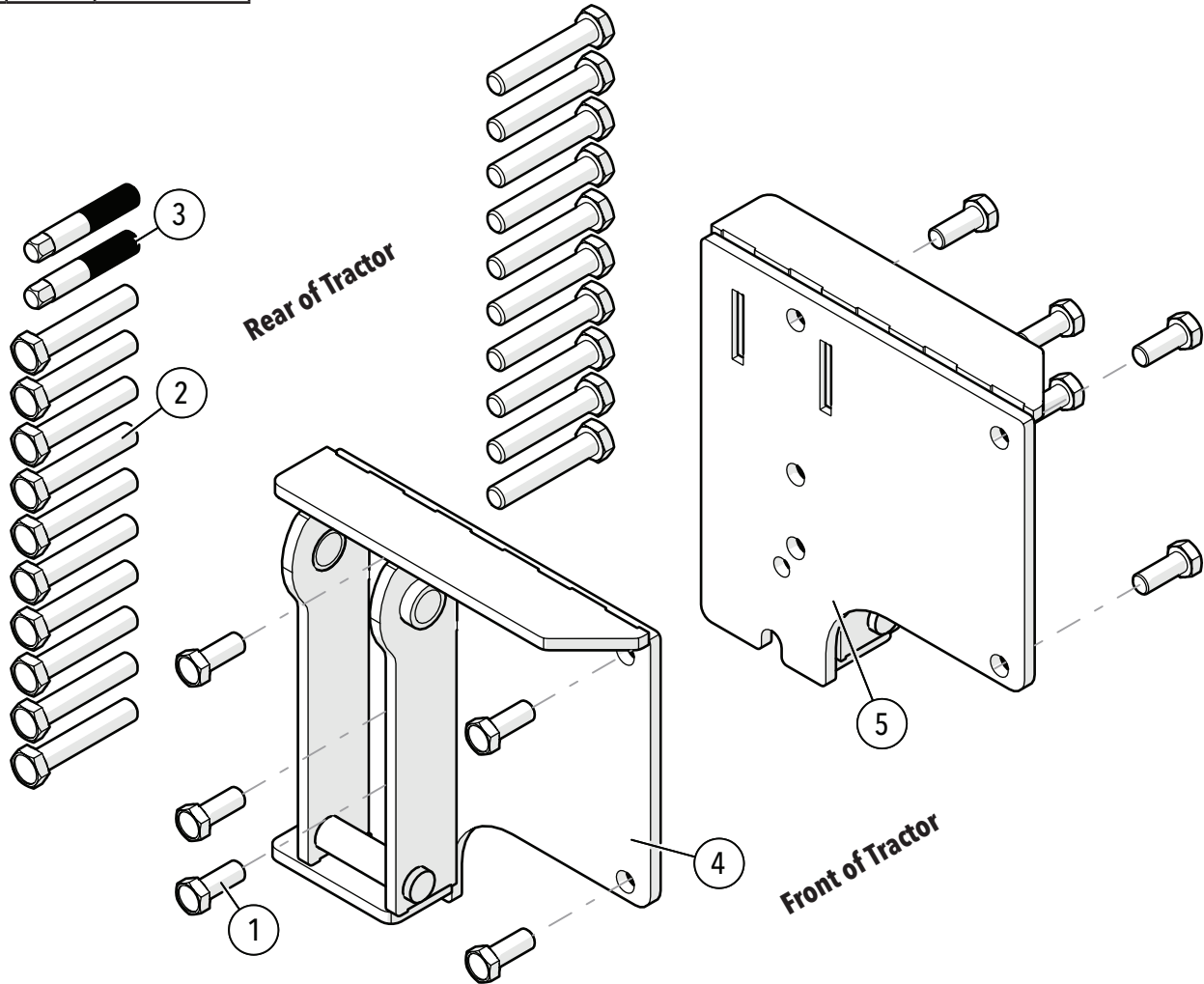


READ complete manual CAREFULLY BEFORE attempting operation.

BOLT TORQUE SPECIFICATIONS		
Size	Grade	Torque
20MM	10.9	515 ft/lbs.
22MM	10.9	702 ft/lbs.



ITEM	PART #	DESCRIPTION	QTY.
1.	03840	Bolt, 20MM-2.50 x 50MM Gr10.9	4
2.	13222	Bolt, 22MM-2.50 x 120MM Gr10.9	20
3.	13919-95	Starter Stud	2
4.	15728-76	Right Baseplate f/ NH T8. T4B	1
5.	15729-76	Left Baseplate f/ NH T8. T4B	1
6.	00004	Washer, 5/16" Flat	4
7.	00685	Bolt, 5/16" x 1.25" Gr5 Hex Head	4
8.	02802	Nut, 5/16" Hex Nylon Lock	4
9.	14343-35	Bracket, Fuel Filter f/ NH T8.	1

Please order replacement parts by **PART NO.** and **DESCRIPTION.**