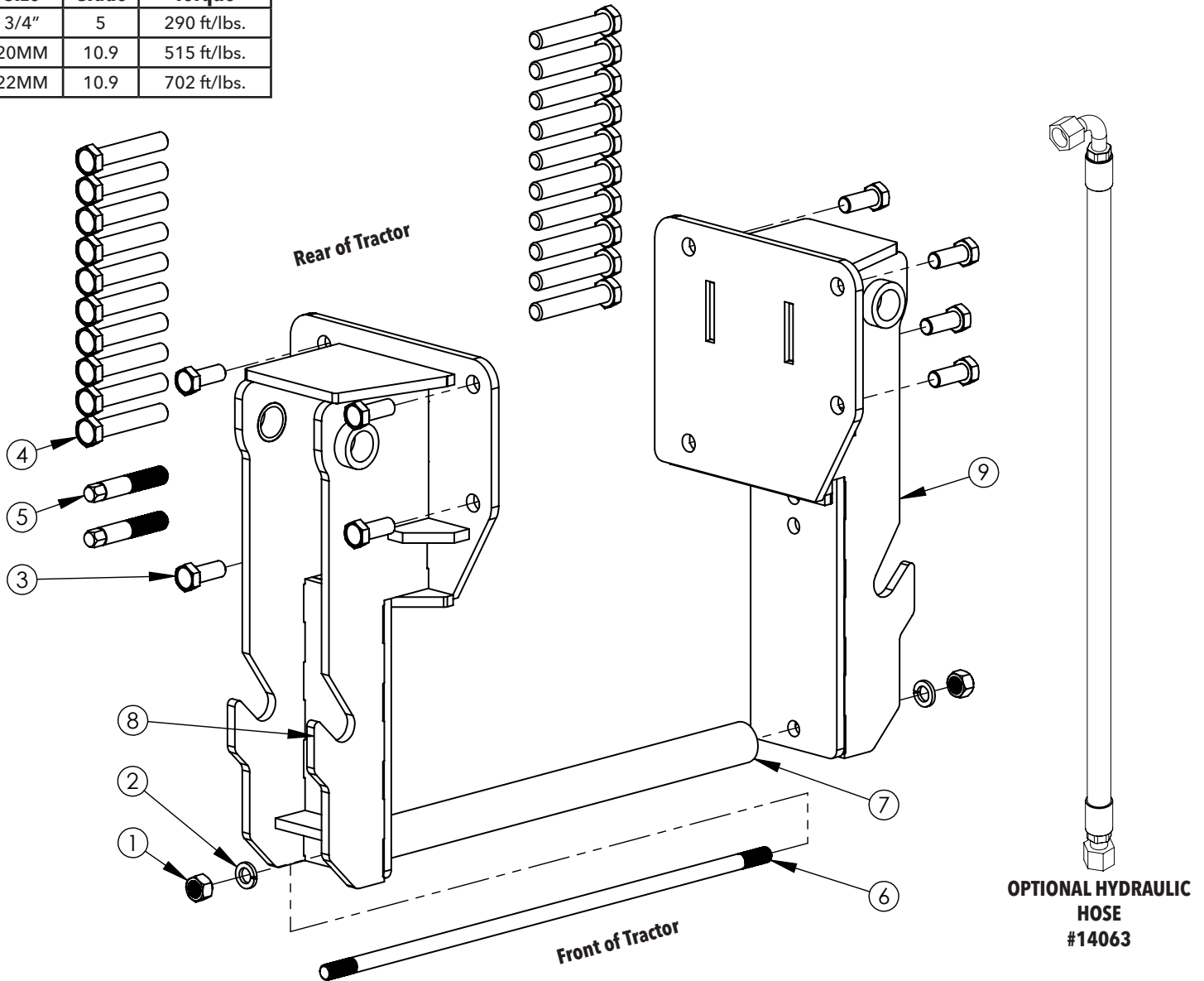


READ complete manual CAREFULLY BEFORE attempting operation.

BOLT TORQUE SPECIFICATIONS		
Size	Grade	Torque
3/4"	5	290 ft/lbs.
20MM	10.9	515 ft/lbs.
22MM	10.9	702 ft/lbs.



ITEM	PART #	DESCRIPTION	QTY.
1	00253	3/4" NC Hex Nut	2
2	00254	3/4" Lockwasher	2
3	03840	Bolt, 20MM-2.50 x 50MM Gr10.9	8
4	13222	Bolt, 22MM-2.50 x 120MM Gr10.9	20
5	13919-95	Starter Stud	2
6	14061-72	Cross Shaft	1
7	14062-72	Underbelly Tube	1
8	15166-72	Right Baseplate Magnum T4B 1200	1
9	15167-72	Left Baseplate Magnum T4B 1200	1

Please order replacement parts by PART NO. and DESCRIPTION.

Baseplate Install Instructions

1. Remove bolts and plastic slide plate (A). Loosen/remove hose keepers if equipped (B) or install hose in **Fig 1 & 2**.
2. Install baseplate with hardware on one side. Tighten bolts.
3. Install other baseplate with hardware. Leave bolts loose. Install underbelly tube and cross shaft. Tighten baseplate bolts then install and tighten nuts and washers on cross shaft.
4. Reattach hose keepers (B).

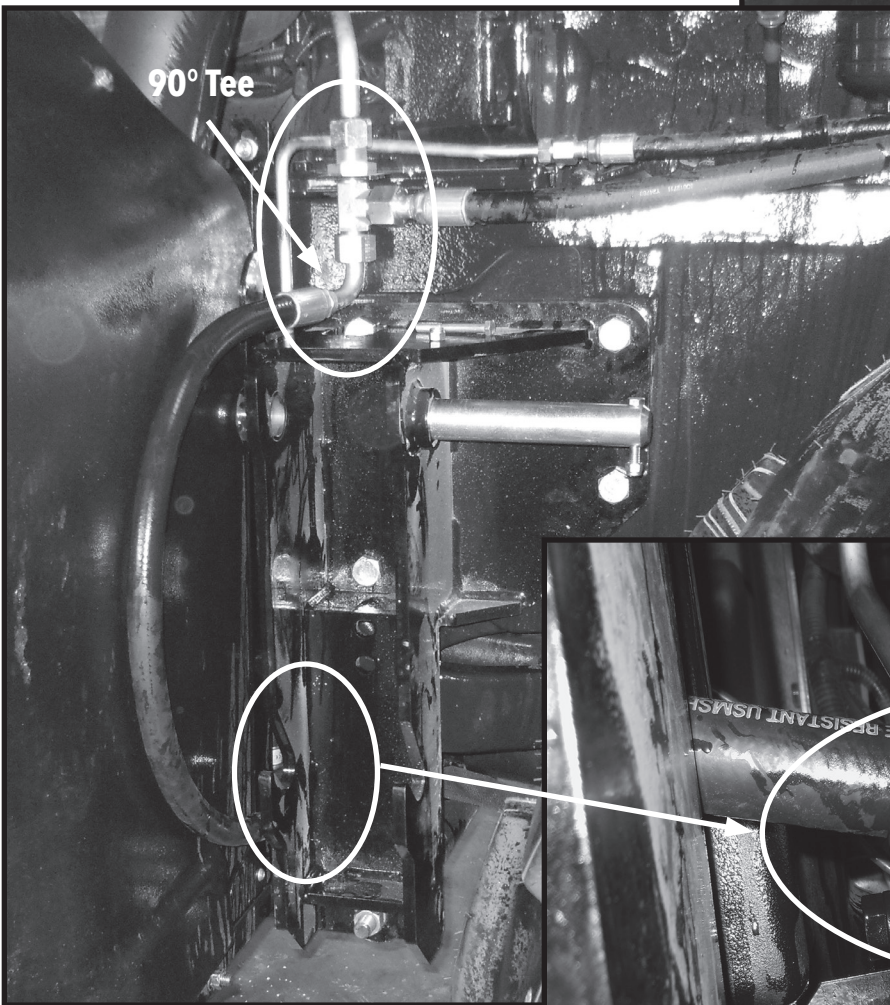
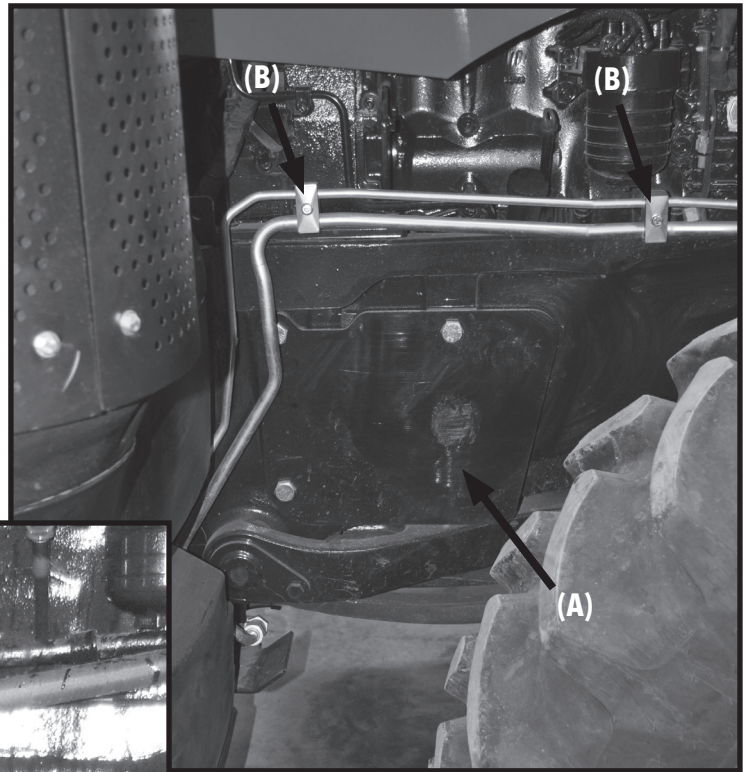


Fig. 1

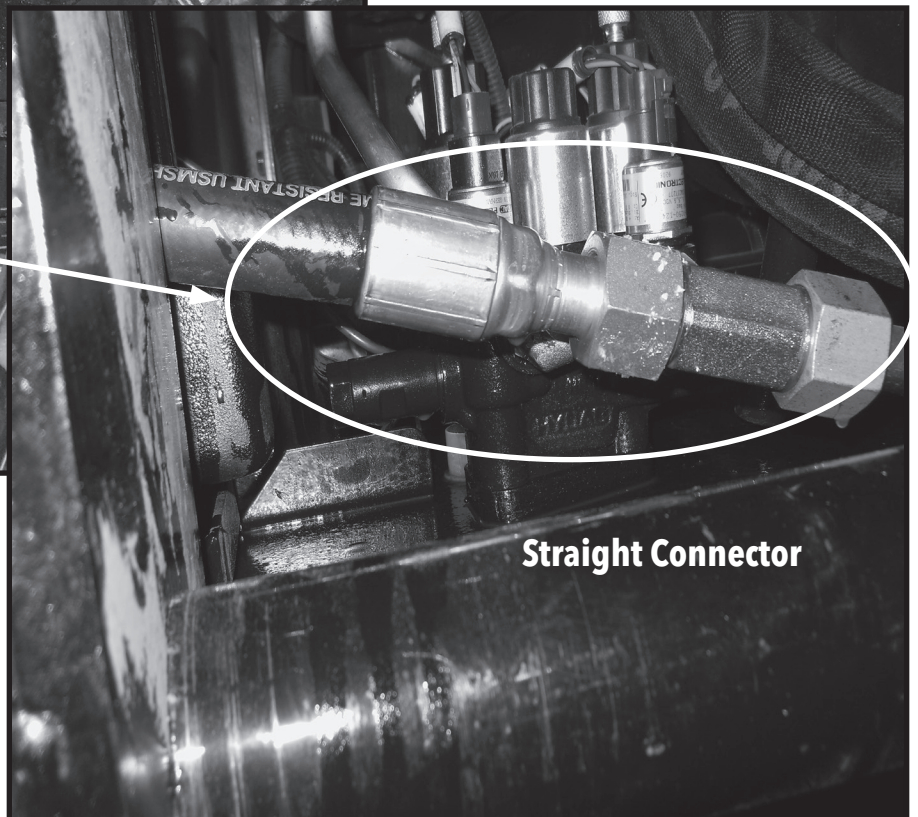


Fig. 2