



*Doing Our Best to Provide You the Best*

8E000040, Rev D  
7/26/23

---

## COMBINE GRAIN TANK EXTENSION TIP-UP KIT

### 9E000044 - John Deere MS150e Tip-up

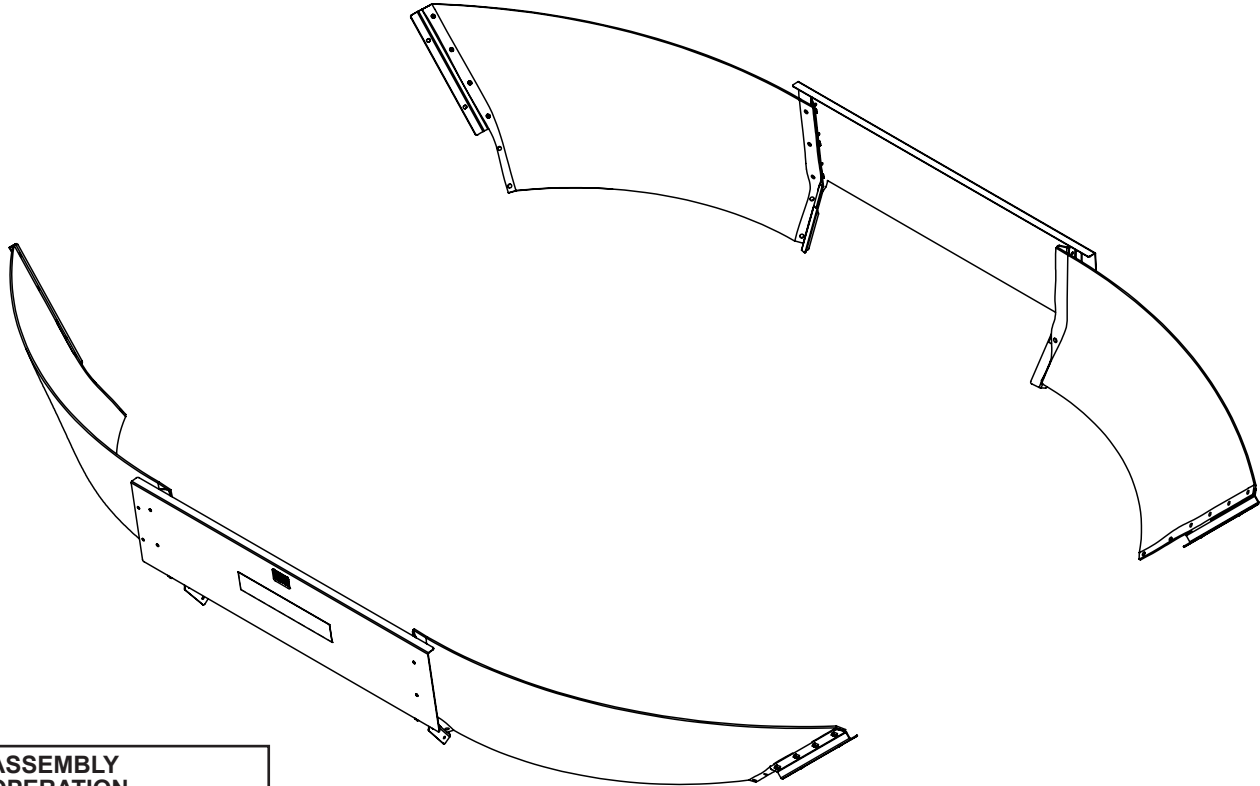
---

**FITS: JOHN DEERE S660, S670, S760, S770 COMBINES**

**PLACE IN COMBINE CAB AFTER ASSEMBLY  
FOR FUTURE REFERENCE.**



**FOR USE ON COMBINES WITH  
POWER FOLD COVER ONLY**



**ASSEMBLY  
OPERATION  
REPLACEMENT PARTS**

**OPERATOR MANUAL**

## Introduction

---

Thank you for purchasing a Demco grain tank extension Tip-Up Kit. Proper care and use will result in many years of service.

## WARRANTY POLICY, OPERATOR MANUALS, PARTS MANUALS & REGISTRATION

Go online to [www.demco-products.com](http://www.demco-products.com) to review Demco warranty policies, operator manuals and register your Demco product.



### **WARNING: TO AVOID PERSONAL INJURY OR DEATH, OBSERVE FOLLOWING INSTRUCTIONS:**

**Ensure that anybody present is clear before applying power to any machinery used in conjunction with a Demco grain tank extension.**

**Never allow anyone in or near the grain tank of a combine during loading or unloading of grain. The accumulation of grain is dangerous and can cause entrapment, resulting in serious injury or death by suffocation.**

**Adding a Demco Bin Extension or Tip-Up increases the overall height of your combine. Use caution when operating around trees, buildings, power lines, and when approaching bridges and over passes. Pay attention to height restrictions.**

**Do not exceed advertised maximum capacity of a Demco grain tank extension.**

## GENERAL INFORMATION

1. Read assembly instructions carefully. Study assembly procedures and all illustrations before you begin assembly. Note which parts are used in each step. This unit must be assembled in proper sequence or complications will result.
2. When placing a parts order, refer to this manual for proper part numbers and place order by **PART NO.** and **DESCRIPTION.**
3. Whenever terms "LEFT" and "RIGHT" are used in this manual it means from a position behind combine and facing forward.

## TABLE OF CONTENTS

General Information .....	2
Safety, Signal Words .....	3
Product Safety Guidelines.....	4
Product Disclaimer.....	4
Safety Sign Locations.....	5
Safety Sign Care.....	5
Parts Breakdown .....	6
Assembly Instructions .....	7-8

**TAKE NOTE! THIS SAFETY ALERT SYMBOL FOUND THROUGHOUT THIS MANUAL IS USED TO CALL YOUR ATTENTION TO INSTRUCTIONS INVOLVING YOUR PERSONAL SAFETY AND SAFETY OF OTHERS. FAILURE TO FOLLOW THESE INSTRUCTIONS CAN RESULT IN INJURY OR DEATH!**



**THIS SYMBOL MEANS  
ATTENTION  
BECOME ALERT  
YOUR SAFETY IS INVOLVED!**

**SIGNAL WORDS:**

This manual uses the following signal words--**DANGER**, **WARNING**, and **CAUTION**-- with safety messages. The appropriate signal word has been selected using the following guidelines.

**WARNING:**

Indicates a potentially hazardous situation that, if not avoided, could result in death or serious injury, and includes hazards that are exposed when guards are removed. It may also be used to alert against unsafe practices.

**DANGER:**

Indicates an imminently hazardous situation that, if not avoided, will result in death or serious injury. This signal word is to be limited to most extreme situations typically for machine components which, for functional purposes, cannot be guarded.

**CAUTION:**

Indicates a potentially hazardous situation that, if not avoided, may result in minor or moderate injury. It may also be used to alert against unsafe practices.

If you have questions not answered in this manual, require additional copies, or if your manual is damaged, please contact your dealer or DEMCO, 4010 320th Street, Boyden, IA 51234  
ph: (712) 725-2311 or Toll Free: 1-800-543-3626 Fax: (712) 725-2380 or 1-800-845-6420  
<http://www.demco-products.com>



## PRODUCT SAFETY GUIDELINES

Every year many accidents occur which could have been avoided by a few seconds of thought and a more careful approach to handling equipment. You, the operator, can avoid many accidents by observing the following precautions in this section. To avoid personal injury, study the following precautions and insist those working with you, or you yourself, follow them.

Replace any caution, warning, danger or instruction safety decal that is not readable or is missing. Location of such decals is indicated in this booklet.

Review safety instructions with all users annually.

Operator should be a responsible adult. **DO NOT ALLOW PERSONS TO OPERATE OR ASSEMBLE THIS UNIT UNTIL THEY HAVE DEVELOPED A THOROUGH UNDERSTANDING OF SAFETY PRECAUTIONS AND HOW IT WORKS.**

Do not paint over, remove, or deface any safety signs or warning decals on your equipment. Observe all safety signs and practice instructions on them.

Never exceed limits of a piece of machinery. If it's ability to do a job, or to do so safely is in question **DON'T TRY IT.**

Adding a Demco Bin Extension or Tip-Up increases the overall height of your combine. Use caution when operating around trees, buildings, power lines, and when approaching bridges and over passes. Pay attention to height restrictions.

Fold and secure (if needed) the grain tank extension panels when transporting the combine to avoid contact with low power lines and other obstructions.

Ensure that any additional bracing and safety equipment have been installed according to this manual. (Some models do not require additional bracing or safety equipment)

Never exceed the maximum advertised capacity of the grain tank extension. By doing so you risk damage to the grain tank extension and combine.

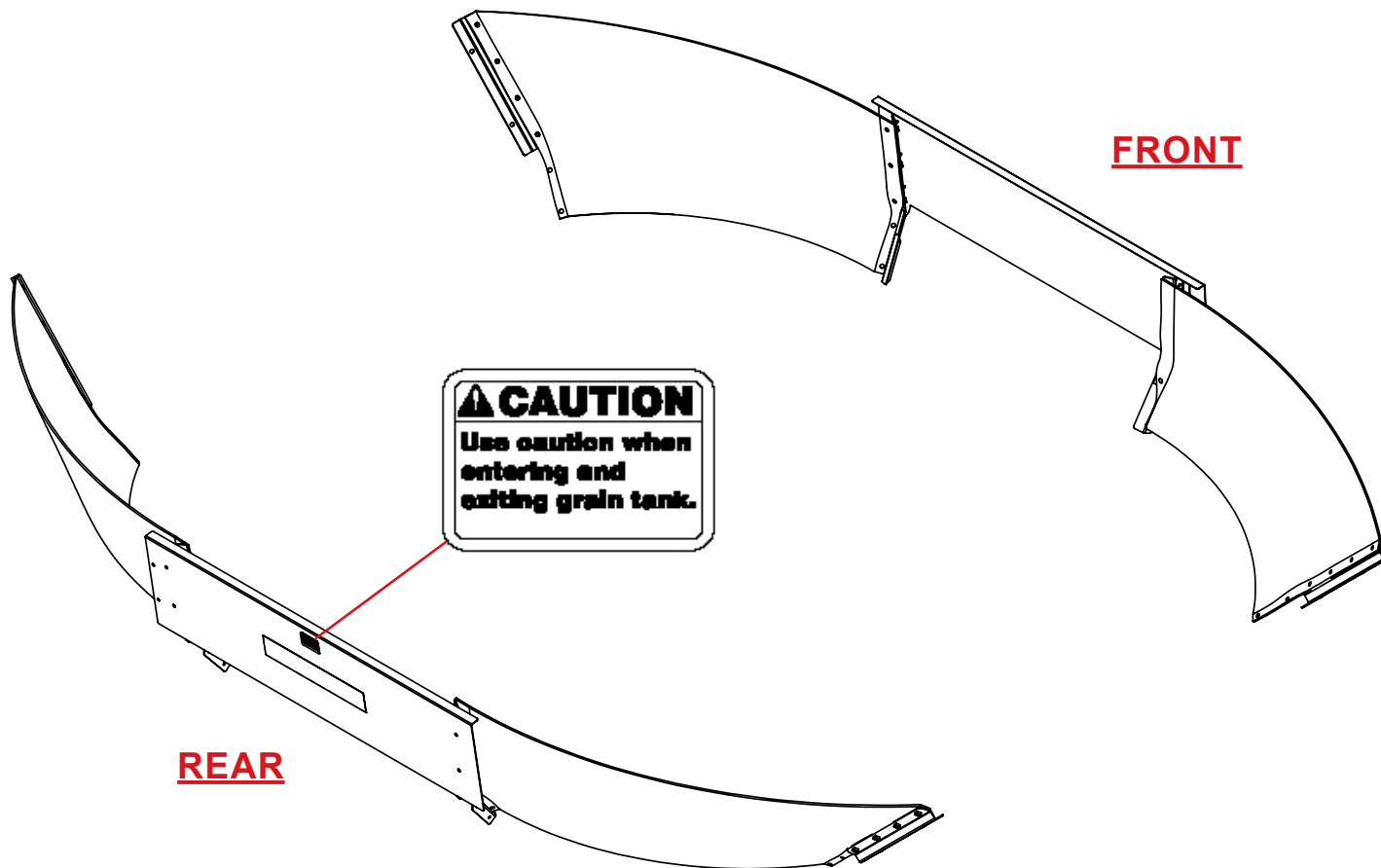
## PRODUCT DISCLAIMER

Increasing the grain tank capacity of any combine by use of this product is at the discretion of the owner. Increasing the grain holding capacity of any combine may affect the structural aspects of the combine as well as drive line components and tires. Although Demco has included additional support bracing on selected models, it does not assume liabilities, or make any warranties pertaining to the structural stability or performance of any combine. See the combine owners/operators manual for additional combine specifications and safety information not listed in this manual.



## SAFETY SIGN LOCATIONS

Types of safety sign and locations on equipment are shown in illustration below. Good safety requires that you familiarize yourself with various safety signs, type of warning, and area or particular function related to that area, that requires your SAFETY AWARENESS.



## SAFETY SIGN CARE

- Keep safety signs clean and legible at all times.
- Replace safety signs that are missing or have become illegible.
- Replacement parts that displayed a safety sign should also display current sign.
- Safety signs are available from Demco.

# Tip-Up Kit Parts Breakdown

## MS150e Tip-Up Kit

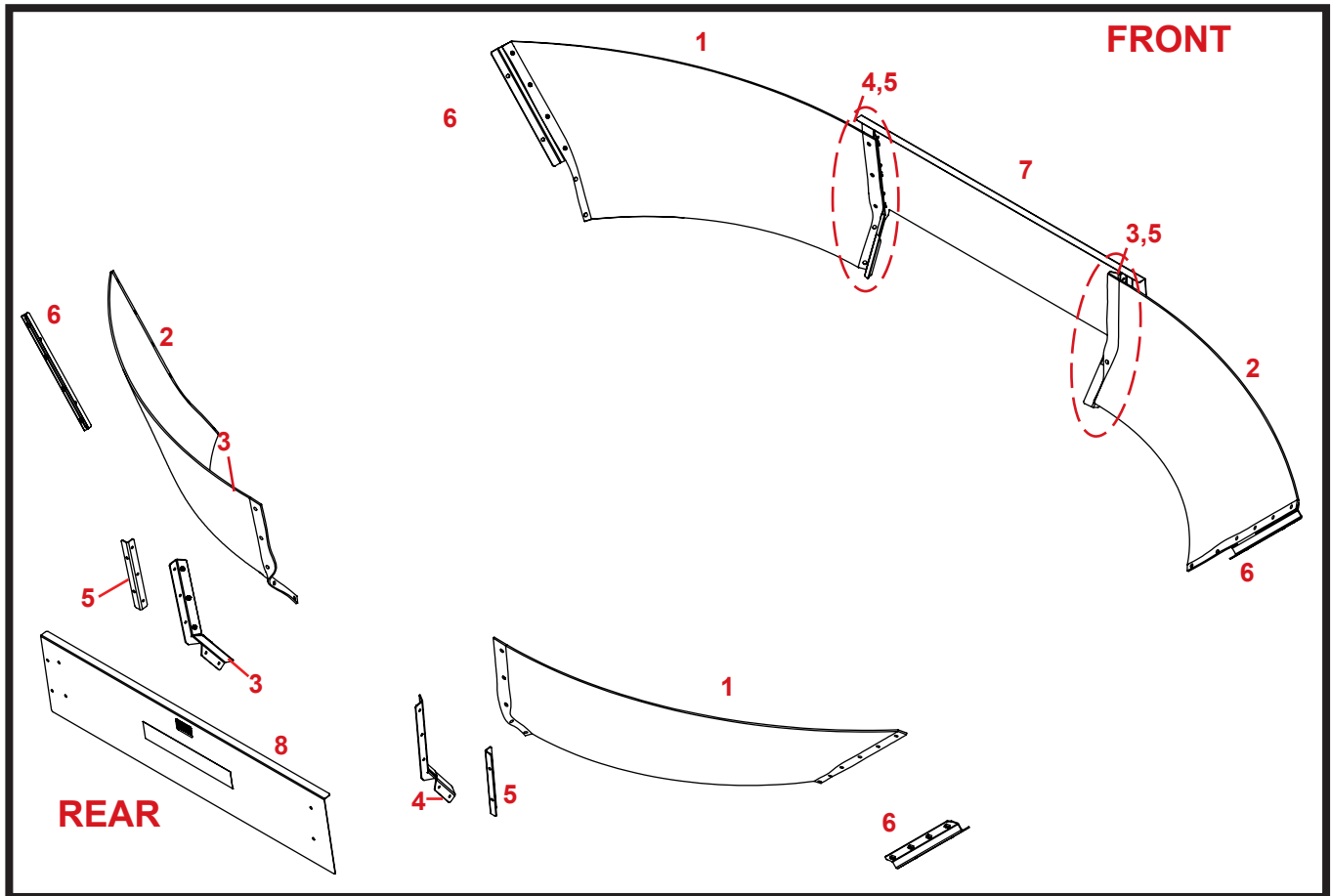


Figure 1

ITEM	PART #	QTY	DESCRIPTION
1	<b>1AR0000082</b>	2	JD MS150E LF/RR CORNER
2	<b>1AR0000083</b>	2	JD MS150E RF/LF CORNER
3	<b>17932</b>	2	BRACKET S770 & S760 LH
4	<b>17933</b>	2	BRACKET S770 & S760 RH
5	<b>R3E000277P0</b>	4	FRONT & BACK PANEL MOUNT
6	<b>R5E000187P0</b>	4	LEFT & RIGHT CORNER MOUNT ASSY
7	<b>R5E000185P0</b>	1	FRONT PANEL ASSEMBLY
8	<b>R5E000186P0</b>	1	REAR PANEL ASSEMBLY
9	<b>1AF009F0000</b>	16	3/8" FLAT WASHER
10	<b>1AF009E0000</b>	28	5/16" FLAT WASHER
11	<b>1AFC08E0000</b>	12	5/16" FLANGE NUT
12	<b>1AFC08F0000</b>	16	3/8" FLANGE NUT
13	<b>1AFC37EAA05</b>	40	5/16" X 1" FLANGE BOLT
14	<b>1AFC37FAA05</b>	16	3/8" X 1" FLANGE BOLT

**Please order replacement parts by PART NO. and DESCRIPTION**



**ATTENTION:** During assembly ensure the following safety decals are located correctly. See illustration on page 5.



Located on outside of rear panel.

## STEP 1:

Attach two Front & Back Panel Mounts to the Front Panel Assembly using the 3/8" x 1" flange bolts, 3/8" washers, and 3/8" flange bolts provided. See Figure 2.

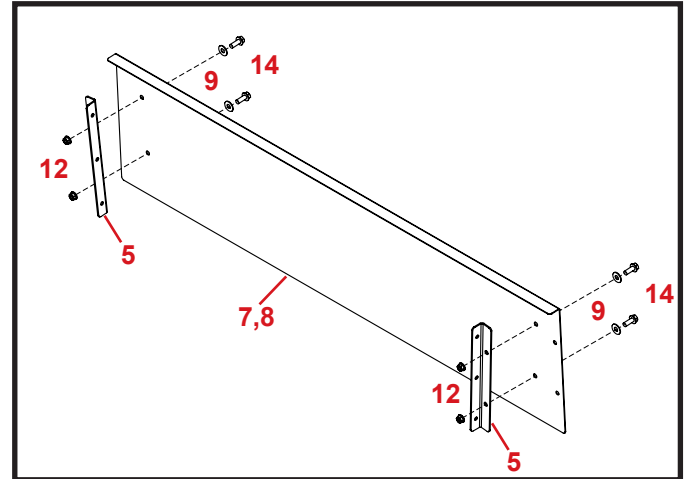


Figure 2

## STEP 2:

Fasten Bracket Mounts and Corner Mounts to the Panel Mounts using three each of the 5/16" x 1" flange bolts and flange nuts provided. See Figure 3.

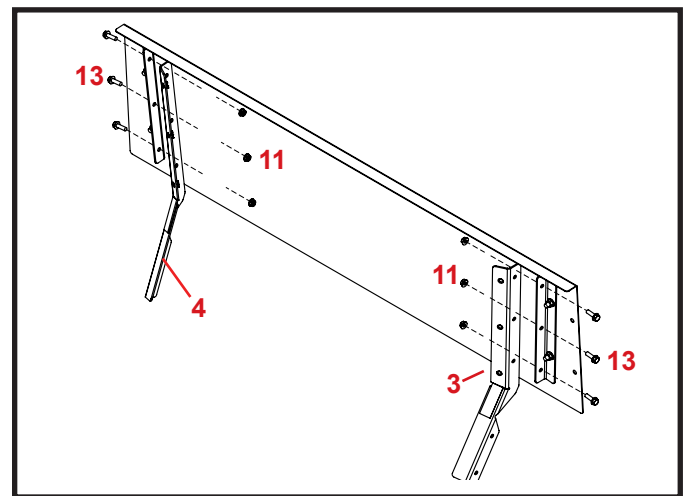


Figure 3

## STEP 3:

Remove two M8 x 20 bolts and M8 nuts from each of the corner channels on the front of the factory panel. Position the Bracket Mounts inside of the channels and fasten with M8 nuts and bolts. The second hole will need to be drilled out on factory panel. Use bracket as a guide and drill a 3/8" hole. See Figure 4.

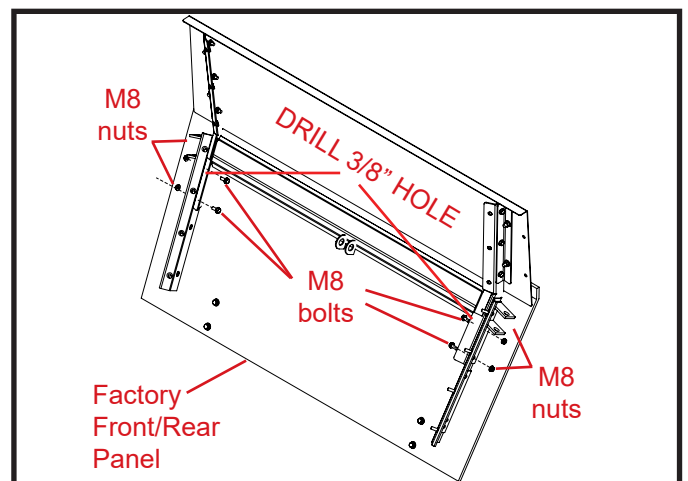


Figure 4

#### **STEP 4:**

Place the Corner Mounts 16-7/8" from the front of the left side cover and above the factory corner channel. Mark the slots on the Cover Mount and drill two 7/16" holes thru the cover. Fasten the Corner Mounts with the 3/8" x 1" flange bolts, 3/8" washers, and 3/8" flange nuts provided. Repeat step at rear of cover. See Figure 5.

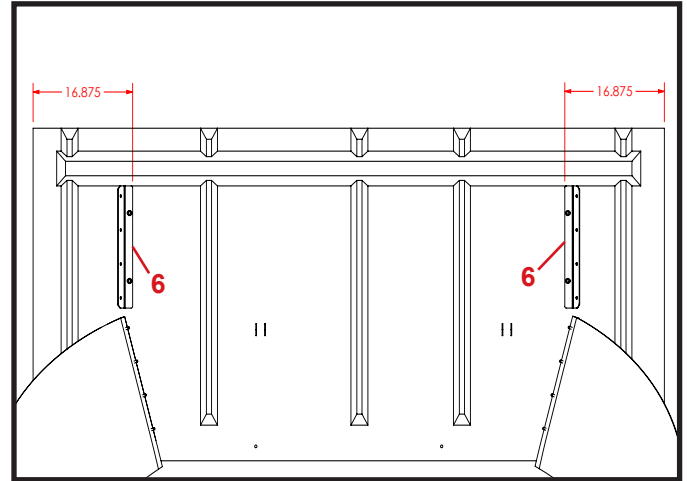


Figure 5

#### **STEP 5:**

Starting with the front left corner; remove the top two M8 flange nuts from each of the factory corner channels. Attach the Demco corner to the corner mounts using the 5/16" x 1" flange bolts and 5/16" washers provided. Fit corner over factory bolts and replace the M8 flange nuts. Repeat step with the rear left corner. See Figure 6.

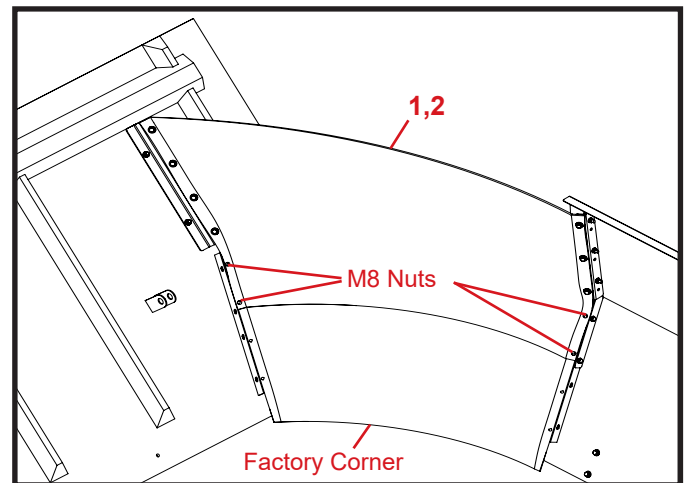


Figure 6

#### **STEP 6:**

Repeat steps 1-5 for the Rear Panel and right cover.

# **DEMCO**

4010 320th St., Boyden, IA. 51234

Phone: (712) 725-2311

Fax: (712) 725-2380

Toll Free: 1-800-54DEMCO (1-800-543-3626)

**Demco warranty policies, operator manuals, and product registration  
can be found online:**

**[www.demco-products.com](http://www.demco-products.com)**