



Doing Our Best to Provide You the Best

8D000008, Rev B
04/26

LIQUID TENDER TRAILER ACCESSORIES



PARTS MANUAL

Basic Features & Operations Section	3
Product Disclaimer.....	3
Introduction.....	4
Warranty Information	5
How To Order Parts.....	5
To The Dealer	6
To The Owner	7
Safety.....	8
Checklists.....	11
Operating Safety.....	12
Service / Maintenance / Cleaning.....	13
Optional Accessories Section.....	14
Boom Arm.....	15
Hand Wash Assembly	16
Hose Reel Stand & Base	17
Light Bar	20
Storage Bin	21
Tie Down U-Bolt Kit.....	22
Toolbox	24
Tote Rack Cage Assembly (5'8")	25
Tote Rack Assembly (5'8")	26
Tote Rack Cage Assembly (5').....	27
Tote Rack Assembly (5').....	28
Trailer Accessory Air Kit (Front)	29
Trailer Air Coupler Mount Assembly (Rear).....	30
Trailer Accessory Air Kit Installation Instructions	31
12V Auxiliary Power Kits & Installation	32

PRODUCT DISCLAIMER

In this document you will find information based on available knowledge at the time of its publication. To be accurate with the information, every effort was made but may not cover all details or variations of a product or provide every possibility in connection with its production, operation and maintenance. A Feature and Option may be presented in the manual that is not relevant to this product. Demco assumes no obligation of notice, to holders of this document, with changes made to a product.

SPECIFICATIONS AND DESIGN ARE SUBJECT TO CHANGE WITHOUT NOTICE.

Demco is often making improvements and developing new designs. In doing so, we reserve the right to make changes and/or improvements without obligation for equipment sold beforehand. Self-modification to our products may affect the operation, function, and safety, so this is not advised. If a replacement part is necessary, Demco should supply it, please contact your nearest dealer or Demco.

DEMCO STATEMENT OF PRODUCT SAFETY

As a producer of agricultural and transportation equipment, Demco is fully aware of its responsibility of providing its customers products that perform their expected use, in a truly safe manner. Safety considerations shall be a fundamental and high precedence part of all engineering/design analysis and judgments involving Demco products. It is our stated policy that our products will be manufactured to coincide with the safety standards specified by the National Association of Trailer Manufacturers and/or any other officially recognized standards at the time manufactured. However, this statement should not be translated to mean that our product will uphold against a customer's own carelessness or disregard for common safety practices specified in each product's manual, nor will we be accountable for any such occurrence.

INTRODUCTION

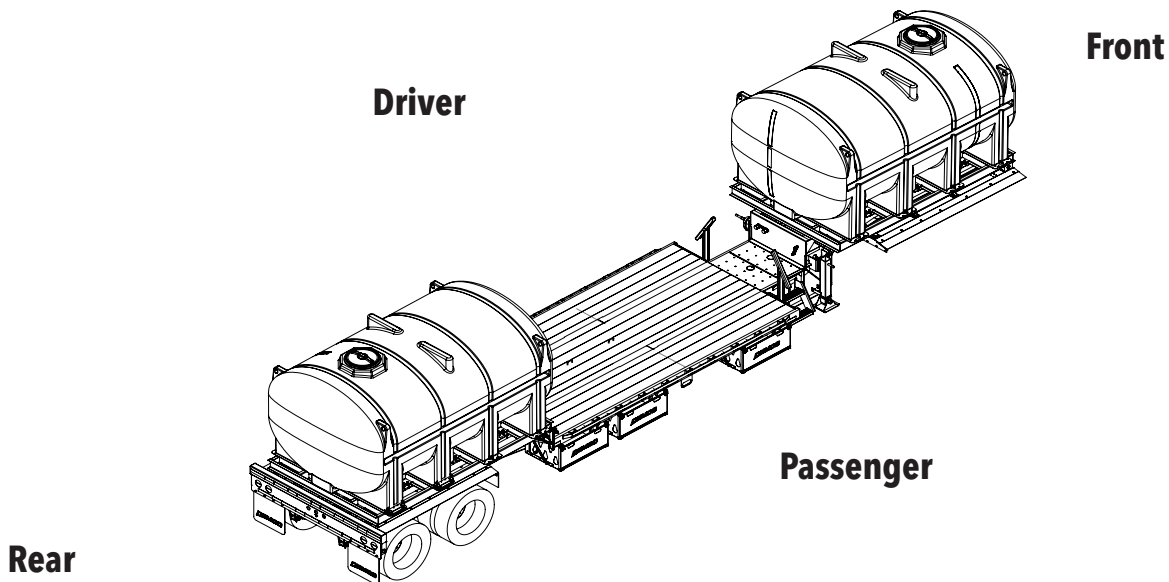
At Demco we strive to design, produce and deliver the highest quality products on the market. Our employees have a strong background of knowledge and combined experience in manufacturing to put quality workmanship into our products. In this manual you will find information covering Demco Liquid Tender Trailer Accessories. Use the table of contents to locate specific areas of interest.

GENERAL INFORMATION

Demco requires that you and anyone else who will be operating and maintaining the equipment read and understand the guidelines in the manual for safe, efficient, and trouble free operations. Proper maintenance, adjustments and use will result in many years of service. Keep this manual handy for frequent reference and to pass on to new operators or owners. If assistance, information, or additional copies of the manual are needed, contact the nearest dealer, a distributor, or Demco.

PLEASE NOTE

- All documents within the manual referring to products not manufactured by Demco have been printed with the permission of the respective manufacturer.
- All references to driver, passenger, front and rear of the trailer are determined from a position behind the trailer and facing forward.



WARRANTY POLICIES

Please go online to review Demco Warranty Policies. The warranty information is located at www.demco-products.com/resources/warranty-policies.

The Demco Warranty does not cover the following:

- 1) Cleaning, transporting, mailing and service call charges.
- 2) Depreciation or damage caused by normal wear, accidents, improper protection or improper use.

HOW TO ORDER PARTS

Use this manual to help determine the part number(s) needed, then contact your dealer with the information and they can order directly from Demco.

Pre-Delivery Checklist

Inspect all components thoroughly after shipment to be certain they are functioning properly before delivering them to the customer. The following checklist is a reminder of points to cover. Check off each item (if applicable) as it is found satisfactory or after proper adjustment is made.

- 1. All hardware properly tightened
- 2. Lubrication of grease fittings
- 3. All decals properly located and readable
- 4. Lights function properly
- 5. Overall condition (touch up any scratches, clean and polish)
- 6. Operator's manual included

Date Delivered: _____

Signature of Salesman or Technician: _____

Delivery Checklist

Review the operator's manual with the customer. Explain the following:

- 1. Safe, correct operation and service
- 2. Daily and periodic inspections and maintenance
- 3. Trouble shooting
- 4. Demco parts and service policies
- 5. Give customer the operator's manual and encourage the customer to read the manual carefully.

Date Delivered: _____

Signature: _____

Thank you for your recent purchase of a New Demco Liquid Tender Trailer Accessory. We're "Doing Our Best To Provide You The Best".

Manuals and Assistance

This manual has been prepared to assist you in the operation of your new liquid tender accessory and contains information pertaining to safety and operations.

Demco personnel are available to assist you if questions arise concerning the maintenance or operations of your equipment. 1-800-54DEMCO (800-543-3626).

To order any parts or additional accessories for your trailer, please contact your dealer or view our online manuals at: www.demco-products.com

- Current manuals are listed in | Semi Trailers | Liquid Tender Trailers | Manuals (Located at the bottom of the page)
- Older manuals are listed in | Resources | Archived Manuals



RECOGNIZE SAFETY INFORMATION

This is the safety-alert symbol. When you see this symbol on your equipment or in this manual, be alert to the potential for personal injury. Follow recommended precautions and safe operation practices.



FOLLOW SAFETY INSTRUCTIONS

- Carefully read all safety messages in the manual and on your equipment safety signs.
- Keep safety signs in good condition.
- Replace missing or damaged safety signs.
- Learn how to operate the equipment and how to use controls properly.
- Do not let anyone operate without instruction.
- Keep your equipment in proper working condition.
- Unauthorized modification to the equipment may impair the function and/or safety and affect equipment life.



PROTECT CHILDREN AND BYSTANDERS

- Before backing, LOOK CAREFULLY behind for children.
- Clear area of children, pets and bystanders.



LOAD DISTRIBUTION SAFETY

The total weight of the load you put on the trailer, plus the empty weight of the trailer itself, must not exceed the trailer's Gross Vehicle Weight Rating (GVWR). You must distribute the load on the trailer such that the load on any tire or axle does not exceed the tire load rating or the Gross Axle Weight Rating (GAWR). If you do not know the weight of your trailer you must weigh it at a commercial scale. See your VIN Plate for proper ratings. Not following these guidelines could cause serious injury or even death.

**ADOPT SAFE DRIVING PRACTICES**

- Always drive at a safe speed relative to local conditions and ensure that your speed is low enough for an emergency stop to be safe and secure.
- Keep speed to a minimum.
- Reduce speed prior to turns to avoid the risk of overturning.
- Avoid sudden uphill turns on steep slopes.
- Always keep the tractor or towing vehicle in gear to provide engine braking when going downhill. Do not coast.
- Do not drink and drive.
- Comply with state and local laws governing highway safety and movement of equipment on public roads.
- Use approved accessory lighting and necessary warning devices to protect operators of other vehicles on the highway during daylight and nighttime transport.

**HIGHWAY AND TRANSPORT OPERATIONS**

- Plan your route to avoid heavy traffic.
- Be a safe and courteous driver. Always yield to oncoming traffic in all situations, including narrow bridges, intersection, etc.
- Be observant of bridge loading ratings. Do not cross bridges rated lower than the gross weight at which you are operating.
- Always operate the tractor trailer in a position to provide maximum visibility at all times. Make allowances for increased length and weight of the equipment when making turns, stopping the unit, etc.

**AVOID HIGH PRESSURE FLUIDS**

- Escaping fluid under pressure can penetrate the skin causing serious injury.
- Avoid the hazard by relieving pressure before disconnecting hydraulic or other lines. Tighten all connections before applying pressure.
- Search for leaks with a piece of cardboard.
- Protect hands and body from high pressure fluids.
- If an accident occurs, see a doctor immediately.





**THIS SYMBOL MEANS:
ATTENTION! BE-
COME ALERT!
YOUR SAFETY IS
INVOLVED!**

TAKE NOTE! THIS SAFETY ALERT SYMBOL FOUND THROUGHOUT THIS MANUAL IS USED TO CALL YOUR ATTENTION TO INSTRUCTIONS INVOLVING YOUR PERSONAL SAFETY AND SAFETY OF OTHERS. FAILURE TO FOLLOW THESE INSTRUCTIONS CAN RESULT IN INJURY OR DEATH!

SIGNAL WORDS

Note use of following signal words **DANGER**, **WARNING**, and **CAUTION** with safety messages. The appropriate signal word for each has been selected using the following guidelines:

DANGER: Indicates an imminently hazardous situation that, if not avoided, will result in death or serious injury. This signal word is to be limited to most extreme situations typically for machine components which, for functional purposes, cannot be guarded.

WARNING: Indicates a potentially hazardous situation that, if not avoided, could result in death or serious injury, and includes hazards that are exposed when guards are removed. It may also be used to alert against unsafe practices.

CAUTION: Indicates a potentially hazardous situation that, if not avoided, may result in minor or moderate injury. It may also be used to alert against unsafe practices.

EQUIPMENT SAFETY GUIDELINES

Every year many accidents occur which could have been avoided by a few seconds of thought and a more careful approach to handling equipment. You, the operator, can avoid many accidents by observing the following precautions in this section. To avoid personal injury, study the following precautions and insist those working with you, or you yourself, follow them.

Operator should be a responsible adult. **DO NOT ALLOW PERSONS TO OPERATE THIS EQUIPMENT UNTIL THEY HAVE DEVELOPED A THOROUGH UNDERSTANDING OF SAFETY PRECAUTIONS AND HOW IT WORKS.**

DO NOT modify the equipment in anyway. Doing so may impair the function and/or safety and could affect the life of the equipment.

Never exceed the maximum capacity of the trailer. By doing so you risk damage to your trailer. If it's ability to do a job, or to do so safely is in question, **DON'T TRY IT.**

Review safety instructions with all users annually.

Replace any caution, warning, danger or instruction safety decal that is not readable or is missing. Location of such decals is indicated in this booklet.

Do not paint over, remove, or deface any safety signs or warning decals on your equipment. Observe all safety signs and practice instructions on them.

**Pre-Trip Checklist**

Perform the Pre-Trip Checklist whenever the vehicle and trailer have been left unattended.

1. Ensure all doors on toolboxes, storage bins, and/or tote racks (if equipped) are securely latched
2. Ensure boom arm (if equipped) is secured in place
3. Ensure hose has been decoupled from the fill port on the trailer and the discharge line has been decoupled and put away
4. Ensure all liquid valves are closed
5. Check component bolts to ensure everything is properly secured

Routine Checklist

Perform a Routine Inspection Checklist before operating the vehicle and Liquid Tender Trailer.

1. Perform the Pre-Trip Checklist.
2. Check oil level in pump engine
3. Check fluid level in pump seal reservoir
4. Periodically grease hose reel swivel joint (if equipped)
5. Check hose and fitting connections for clamp tightness and leaks

End of Season Checklist

Perform the End of Season Checklist before storing Liquid Tender Trailer.

1. Rinse tanks and plumbing to remove any remaining chemical
2. Blow down lines to remove any excess water
3. If trailer will be stored in a region that sees temperatures below freezing fill lines with proper antifreeze
4. When storing trailer for long periods of time ensure battery maintains minimum level of charge to ensure battery health



Safety Guidelines

Carefully study and understand the Operator's Manual and all safety decals before operating, servicing, adjusting or repairing. It is the owner/operators responsibility to read the manual and instruct other operators to read the manual before operating.

- Always follow state and local regulations regarding safety chains and auxiliary lighting when towing.
- Keep hands, feet, hair & clothing away from moving and/or rotating parts.
- Do not carry passengers anywhere on the trailer.
- In addition to the design and configuration of equipment, hazard control and accident prevention are dependent upon the knowledge, concern, and common sense of personnel involved in the operation, transportation, maintenance and storage of the equipment.
- Practice the operations and functions of your equipment. Don't hurry the learning process or take it for granted.
- Untrained operators are not qualified to operate the equipment.
- If the operation safety is followed, along with a good maintenance program your equipment will provide you with years of trouble-free service.



Operating Safety

- Never point nozzle at yourself or another person
- Ensure discharge line is secured to end-point and necessary valves are open before operating pump
- Do not allow pump to run while inlet or discharge are blocked
- Be aware of hot exhaust which may cause severe burns or start fires
- Stop engine and allow it to cool before adding fuel to the tank
- Do not install a higher amperage fuse in a fuse holder than what the manual calls for
- Electricity poses risk for shock and arcing, keep metal away from exposed electrical connections
- Do not allow battery to overcharge, which may release flammable and toxic fumes
- Ensure battery and connections are secure at all times to prevent damage



Service and Maintenance

Carefully read this section on service and maintenance safety. Good maintenance is your responsibility. Performing maintenance according to the schedule will prolong the performance and life of your equipment and ensure the safety and liability of the operation. If you cannot perform the required maintenance talk to your dealer about having them done. Also check the relevant component manufacturer's manual if available.

- Make sure there is plenty of ventilation. Never operate engine of towing vehicle in a closed building. Exhaust fumes may cause asphyxiation.
- Always block wheels and never use a jack as sole support.
- Always use proper tools or equipment for job at hand.
- Use extreme caution when making adjustments.
- Follow torque chart in this manual when tightening bolts and nuts.
- Openings in skin and minor cuts are susceptible to infection from brake fluid.
- After servicing, be sure all tools, parts and equipment are removed
- Do not allow grease or oil to build up on any step or platform.
- When replacing bolts, refer to owner's manual for proper size and grade.
- Refer to bolt torque chart for head identification marking.
- When replacement parts are necessary for periodic service & maintenance, genuine factory replacement parts must be used to restore your equipment. Manufacturer will not claim responsibility for use of unapproved parts and/or accessories or other damages.
- If the equipment has been altered in any way from original design, any liability for injury or warranty will not be accepted by Demco.
- A fire extinguisher and first aid kit should be kept accessible while performing any service and maintenance on the equipment.

Cleaning the Trailer

It is imperative trailers constructed of steel be kept clean of salt and other harmful elements. Failure to wash your trailer regularly and properly care for the paint and body may void any paint warranty claims if the trailer shows signs of neglect or abuse.

When cleaning the trailer use a mild soap and rinse. Wash underneath both slope areas, kingpin, and suspension areas.

Keeping your trailer clean will help rid your trailer of salt and other harmful elements. This will help keep your trailer looking new and improve it's resale value.

OPTIONAL ACCESSORIES SECTION

The following pages contain parts information for accessories that can be added to your Demco Liquid Tender Trailer.

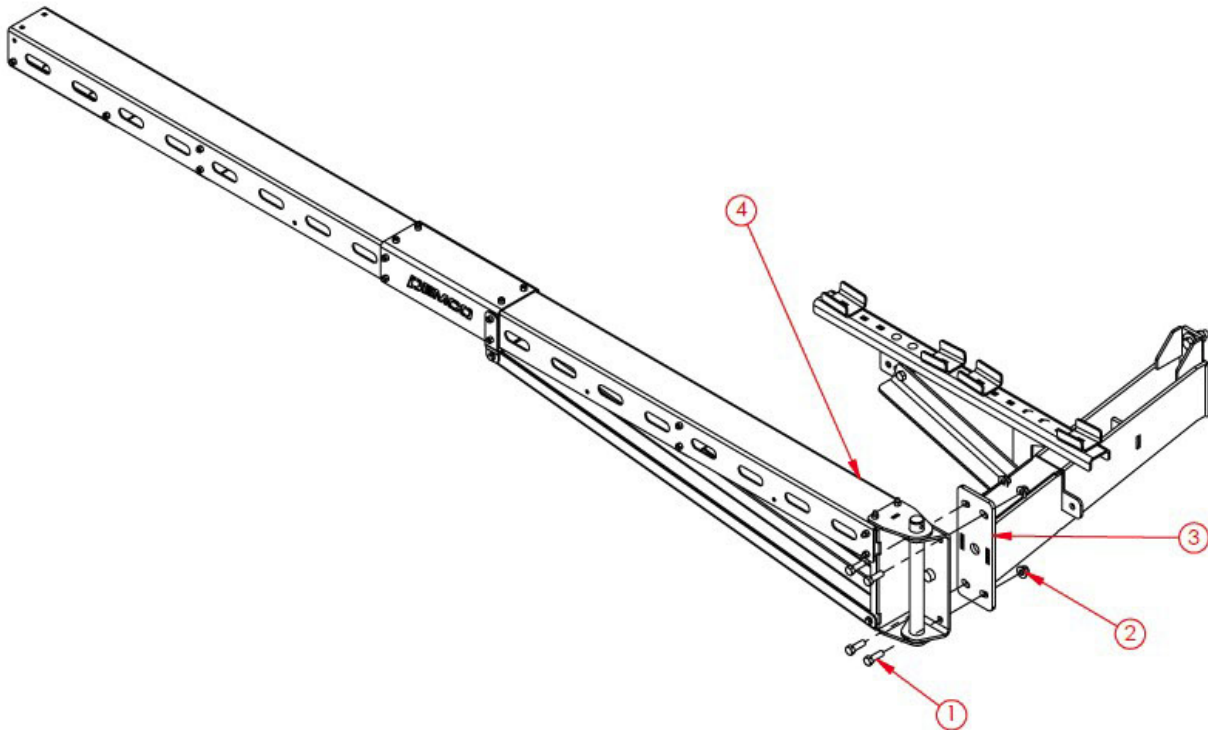
5D000545 - BOOM ARM, COMPLETE ASSEMBLY

BOM ID	Qty	Item No	Description
*N/A	1	4D000117	FASTENERS, LT SS BOOM ARM W/PLUMBING
*N/A	1	4D000119	FASTENERS, LT SS BOOM ARM W/O PLUMBING
1	4	1AFC12HAAH0	HEX BOLT, 1/2"-13 X 1-1/2", GR5 ZINC
2	4	1AFZ08H0005	1/2"-13 NYLON INSERT FLANGE NUT GRADE N5 ZINC
3	1	5D000463	BOOM ARM, FRAME MOUNT ASSEMBLY
4	1	5D000542	BOOM ARM ASSEMBLY

***Note: Choose one fastener kit depending on whether with or without a plumbing option.**

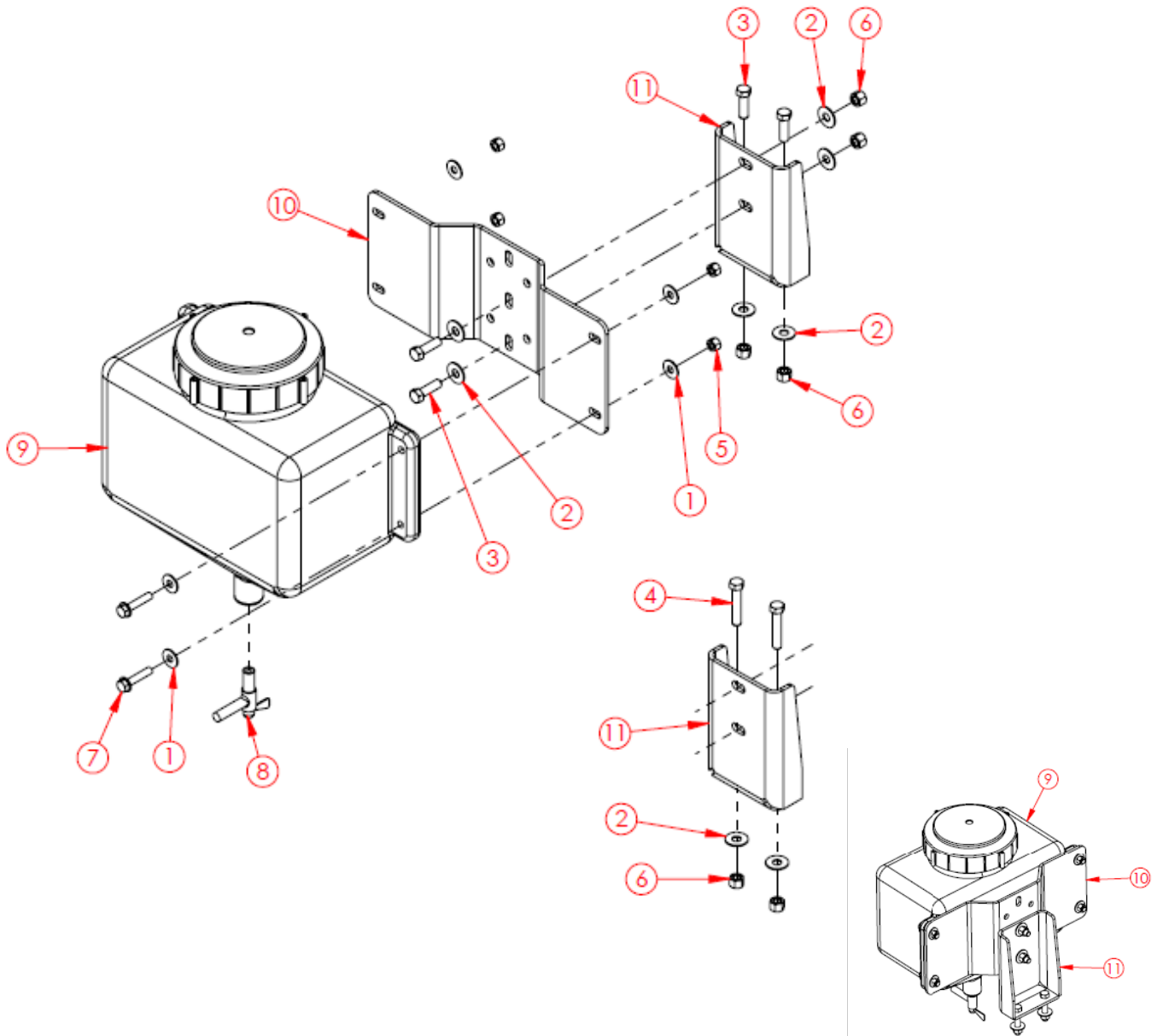
**IF ORDERING A COMPLETE BOOM ARM ASSEMBLY FOR SHIPOUT,
USE THE FOLLOWING PART NUMBERS**

Item No	Description
7200018	LT SS BOOM ARM ASSEMBLY ONLY, PACKAGED
7200012	LT 36' SS BOOM ARM ASSEMBLY W/PLUMBING, PACKAGED
7200013	LT 38' SS BOOM ARM ASSEMBLY W/PLUMBING, PACKAGED
7200014	LT 40' SS BOOM ARM ASSEMBLY W/PLUMBING, PACKAGED
7200015	LT 42' SS BOOM ARM ASSEMBLY W/PLUMBING, PACKAGED
7200016	LT 48' SS BOOM ARM ASSEMBLY W/PLUMBING, PACKAGED
7200017	LT 53' SS BOOM ARM ASSEMBLY W/PLUMBING, PACKAGED



5D000475 - HAND WASH 2.5 GAL ASSEMBLY

BOM ID	Item No	Qty	Description
1	1AF009E0000	8	FLAT WASHER, 5/16" ZINC
2	1AF009F0000	6	FLAT WASHER, 3/8" ZINC
3	1AFC12FAAD5	4	HEX BOLT, 3/8" X 1-1/4", GR5 ZINC
4	1AFC12FBA05	2	HEX BOLT, 3/8"-16 X 2", GR5 ZINC
5	1AFC18E0000	4	NYLOCK NUT, 5/16"-18, GR2 ZINC
6	1AFC18F0000	4	NYLOCK NUT, 3/8"-16, GR2 ZINC
7	1AFC37EAAH5	4	HEX FLANGE BOLT, 5/16"-18 X 1-1/2", GR5 ZINC, SERRATED
8	PL2S	1	SPOUT 51MM F/2.5 GAL POLY RINSE TANK
9	14490	1	EYE WASH TANK WITH LID , 2.5 GAL, POLY, WHITE
10	3D000899	1	HAND WASH 2.5 GAL TANK PLATE
11	3D000900	1	HAND WASH 2.5 GAL MOUNT PLATE

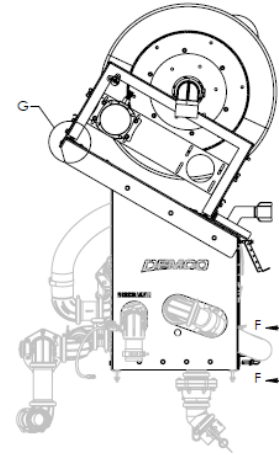
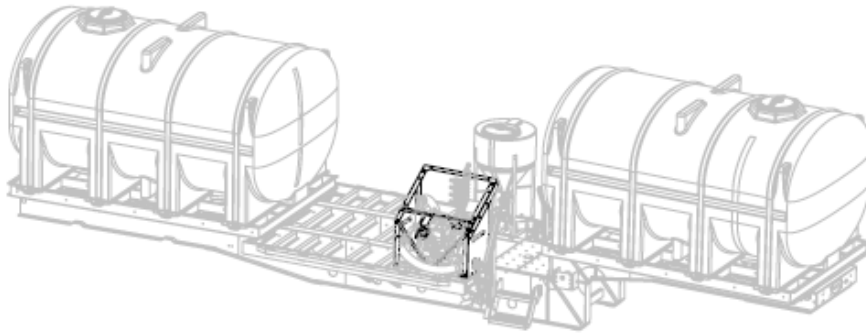


5D000531 - LT HOSE REEL STAND ONLY, NO BASE, W/FASTENERS

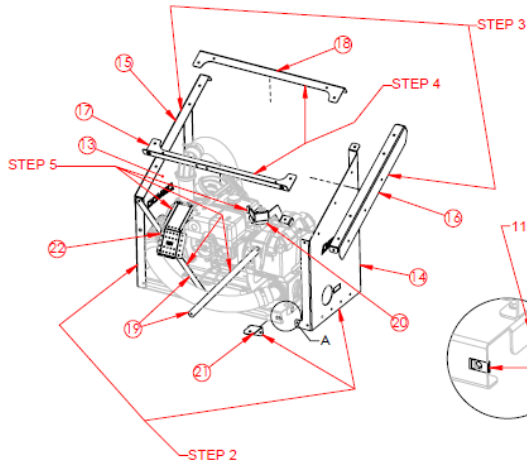
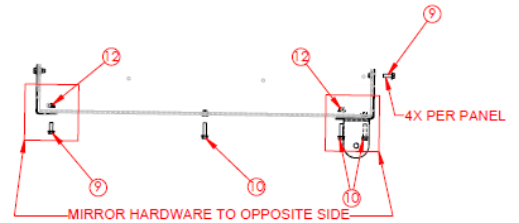
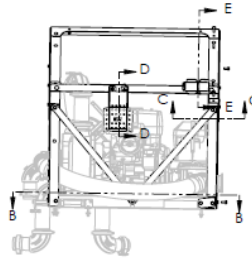
BOM ID	Qty	Item No	Description
1	4	1AF009F0000	FLAT WASHER, 3/8" ZINC
2	1	1AF009H0000	FLAT WASHER, 1/2"
3	2	1AFC04EAAL0	CARRIAGE BOLT, 5/16"-18 X 3/4", GR5 ZINC
4	8	1AFC04FAAD0	CARRIAGE BOLT, 3/8"-16 X 1-1/4", GR5 ZINC, SHORT NECK
5	4	1AFC12FAAD5	HEX BOLT, 3/8"-16 X 1-1/4", GR5 ZINC
6	1	1AFC12HAAD5	HEX BOLT, 1/2"-13 X 1-1/4", GR5 ZINC
7	2	1AFC18E0005	NYLOCK NUT, 5/16"-18, GR5, ZINC, FLANGED
8	1	1AFC18H0000	NYLOCK NUT, 1/2"-13, GR2 ZINC
9	19	1AFC37FAA05	HEX FLANGE BOLT, 3/8"-16 X 1", GR5 ZINC, SERRATED
10	5	1AFC37FAAH5	HEX FLANGE BOLT, 3/8"-16 X 1-1/2", GR5 ZINC, SERRATED
11	11	1AFR84F0000	NUT, TINNERMAN SPRING, 3/8"-16 THREAD, For 9/16" HOLE
12	25	1AFZ08F0005	3/8" -16 NYLON INSERT FLANGE NUT GRADE N5 ZINC
13	1	3D000936	LT HOSE REEL STAND PANEL, DISCHARGE SIDE
14	1	3D000937	LT HOSE REEL STAND PANEL, INLET SIDE
15	1	3D000938	LT REEL STAND DISCHARGE SIDE RAIL
16	1	3D000939	LT REEL STAND INLET SIDE RAIL
17	1	3D000940	LT REEL STAND FRONT CROSSMEMBER
18	1	3D000941	LT REEL STAND REAR CROSSMEMBER
19	2	3D000942	LT REEL STAND V-BRACE
20	1	3D000943	LT REEL STAND HOSE RETAINER
21	1	3D000944	LT REEL STAND NOZZLE BRACKET
22	1	3D000967	LT REEL STAND EXHAUST GUARD

*See print images on next page.

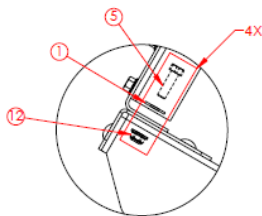
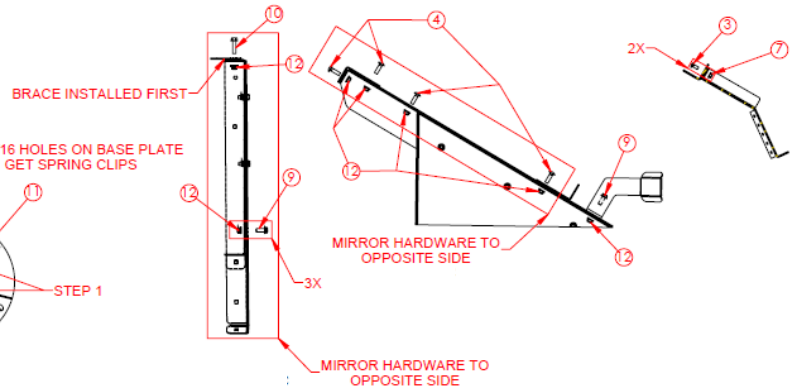
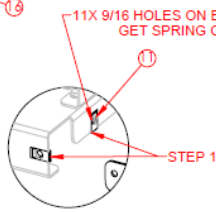
5D000531 - LT HOSE REEL STAND ONLY, NO BASE, W/FASTENERS



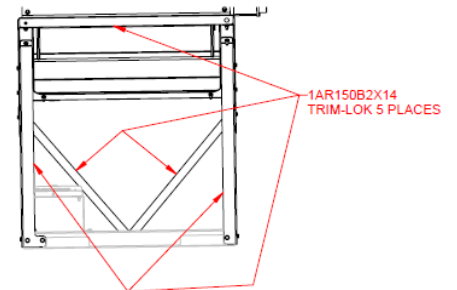
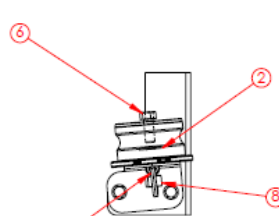
***See part number callouts on previous page.**



REMOVE ONLY LASER FILM AS NECESSARY TO BOLT PARTS TOGETHER UNTIL ASSEMBLY IS FINISHED

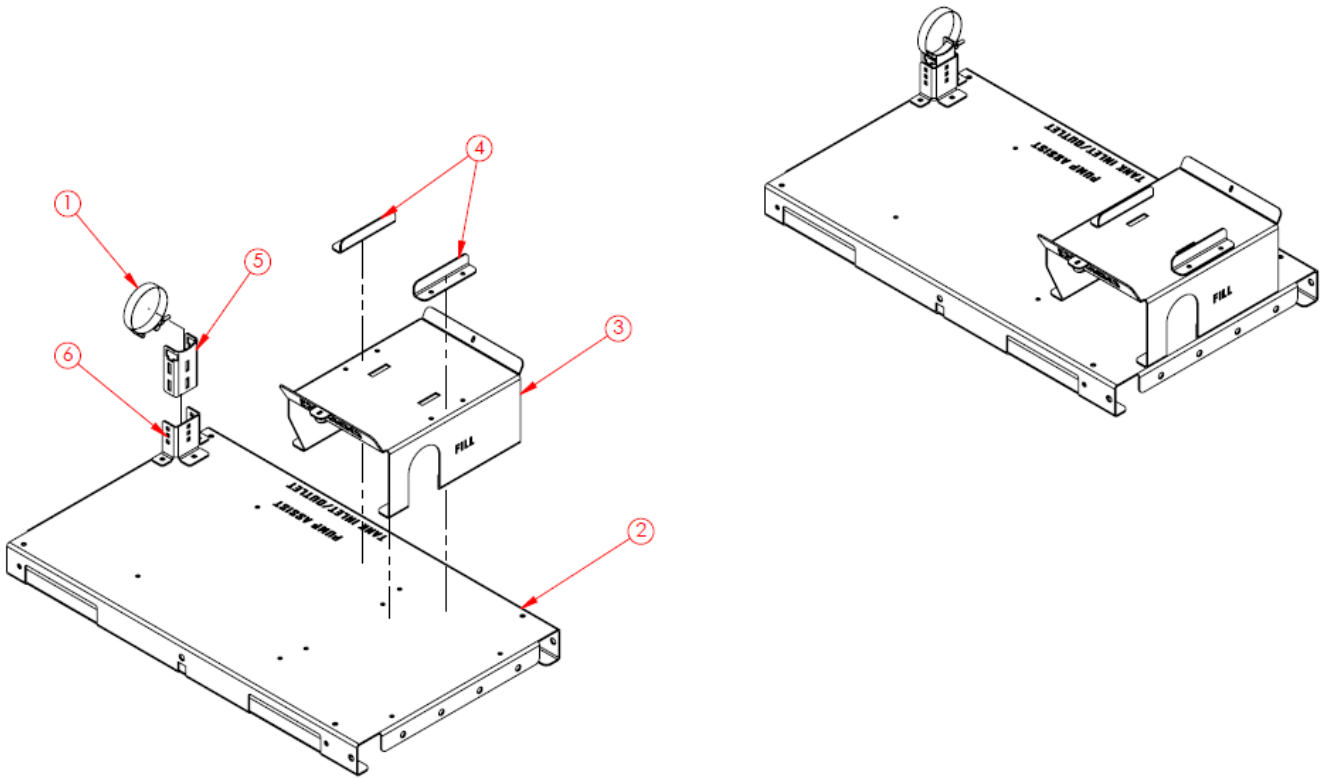


1. REMOVE METAL RING 16
2. SAND PLASTIC EYELET SMOOTH
3. DRILL 9/16 HOLE CENTERED ON CAP



5D000550 - LT PLUMBING BASE COMPONENTS

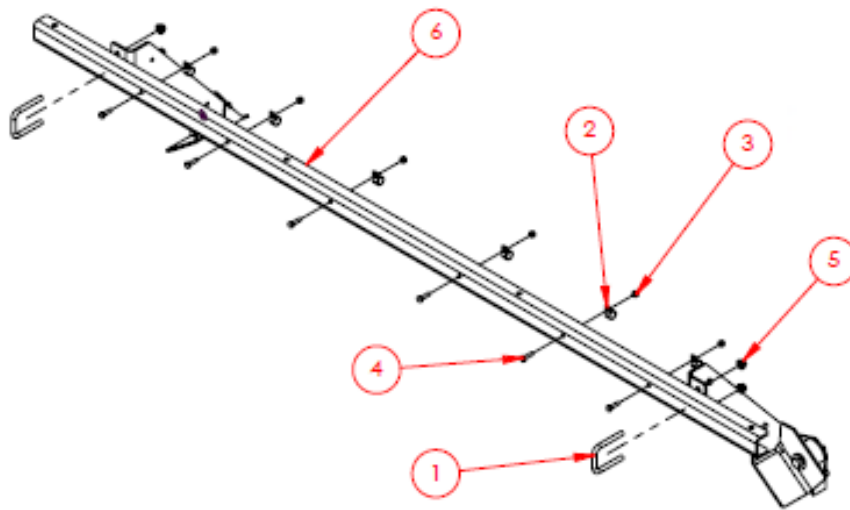
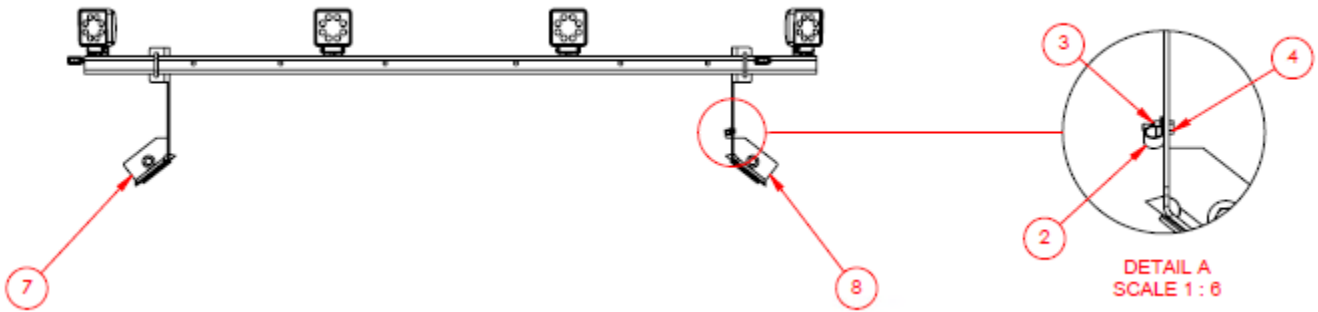
BOM ID	Qty	Item No	Description
1	1	1AMTC343000	3" T-BOLT HOSE CLAMP, 3-7/16" - 3-3/4"
2	1	3D000934	LT PLUMBING SKID BASE
3	1	3D000935	LT PLUMBING SKID BATTERY TRAY
4	2	3D000945	LT PLUMBING SKID BATTERY TRAY STOPS
5	1	3D000964	LT FITTING STANDOFF TOP ADJUSTABLE 4-6"
6	1	3D000965	LT FITTING STANDOFF BOTTOM ADJUSTABLE 4-6"



IF ORDERING THE STAND & BASE W/HARDWARE AS A SHIPOUT, USE PART NUMBER 7200019 - LT HOSE REEL STAND ONLY W/BASE, PACKAGED

5D000481 - LIGHT BAR, TANK MOUNTED ASSEMBLY

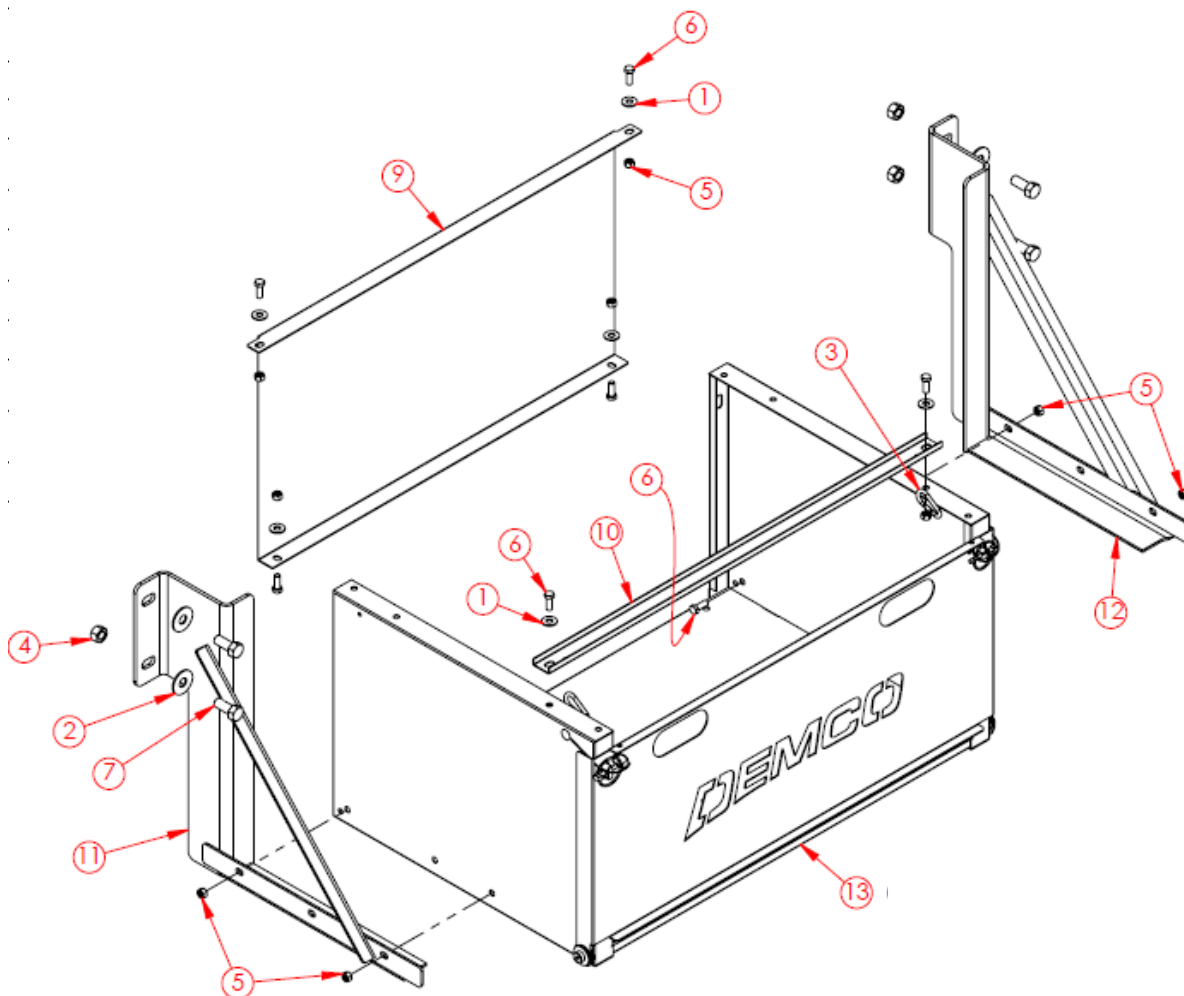
BOM ID	Item No	Qty	Description
1	02128	2	U-BOLT, SQ, .375NC X 2.063 X 3.00
2	1AEN0025110	8	LOOM CLAMP, 5/8" ID, PLATED STEEL .5 W
3	1AFBP3587	8	NUT, HEX LOCK, 1/4"-20, GR2 NYLOCK ZINC PLT
4	1AFC12DAA05	8	HEX BOLT, 1/4"-20 X 1-1/2", GR5 ZINC
5	1AFZ08F0005	4	3/8" -16 NYLON INSERT FLANGE NUT GR5 ZINC
6	3D000906	1	LIGHT BAR CHANNEL
7	5D000479	1	LIGHT BAR, DHI LUG MOUNT 2 ASSEMBLY
8	5D000480	1	LIGHT BAR, DHI LUG MOUNT 1 ASSEMBLY



5D000396 - STORAGE BIN ASSEMBLY, COMPLETE

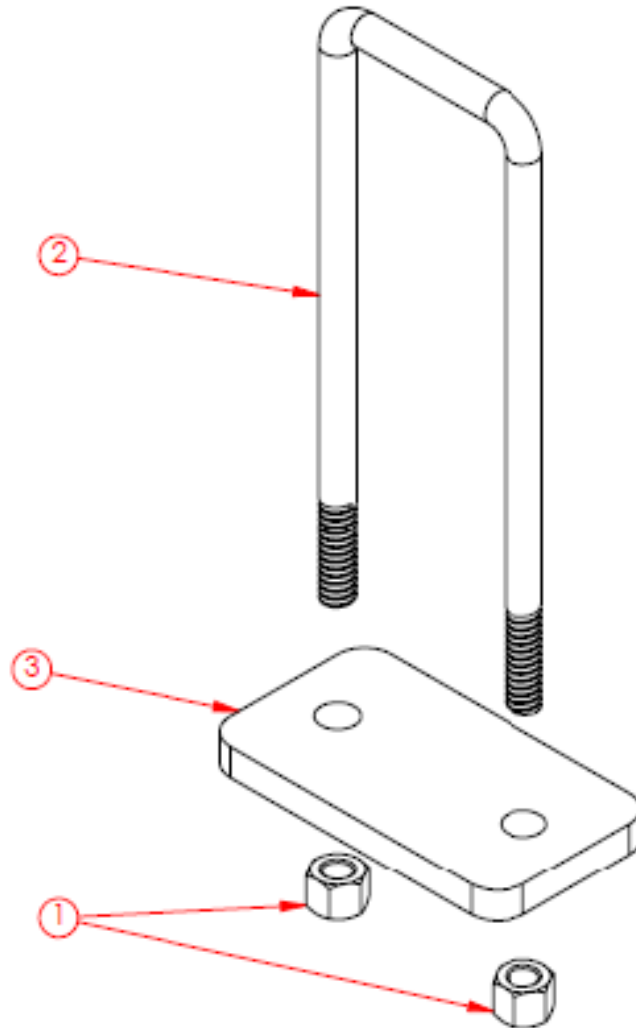
BOM ID	Qty	Item No	Description
1	6	1AF009F0000	FLAT WASHER, 3/8" ZINC
2	4	1AF009J0000	FLAT WASHER, 5/8" ZINC
3	4	1AF245014ZP	1/4" THICK ZINC-PLATED STEEL CARABINER-SPRING SNAP
4	4	1AFC05J0000	CENTER LOCK NUT, 5/8"-11, GRA ZINC
5	10	1AFC18F0000	NYLOCK NUT, 3/8"-16, GR2 ZINC
6	10	1AFC12FAA05	HEX BOLT, 3/8"-16 X 1", GR5 ZINC
7	4	1AFC12JAAH5	HEX BOLT, 5/8"-11 X 1-1/2", GR5 ZINC
8	2	1AFU76CA116	1/16" DIAMETER 14" LONG WIRE ROPE LANYARD - STAINLESS STEEL
9	1	3D000746	LO-PRO STORAGE, REAR PANEL
10	1	3D000748	LO-PRO STORAGE, TOP BRACE
11	1	5D000393	LO-PRO STORAGE/TOOLBOX MOUNT, LEFT
12	1	5D000394	LO-PRO STORAGE/TOOLBOX MOUNT, RIGHT
13	1	5D000395	LO-PRO STORAGE BOX

IF ORDERING THE COMPLETE STORAGE BIN ASSEMBLY FOR SHIPOUT, USE PART NUMBER 7200009 - LT STORAGE BIN ASSEMBLY, COMPLETE - PACKAGED



5D000366 - TIE DOWN U-BOLT ASSEMBLY KIT

BOM ID	Qty	Item No	Description
1	2	1AFC18H0000	NYLOCK NUT, 1/2"-13, GR2 ZINC
2	1	1AFZ51HCA00	1/2"-13 X 3 X 9-1/4 SQUARE BEND U-BOLT
3	1	3D000711	HOLD DOWN PLATE
4	1	8D000005	TIE DOWN U-BOLT INSTRUCTION MANUAL

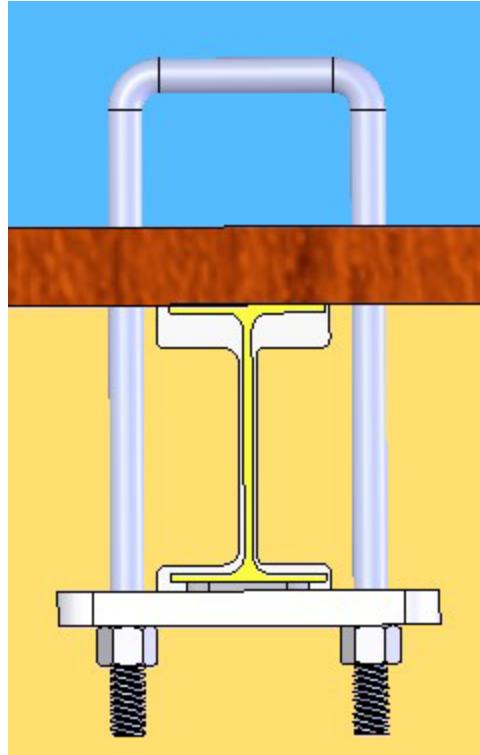


NOTE: See next page for installation instructions

SAFETY:

One of these U-Bolt assemblies, if installed correctly, is rated for a Work Load Limit (WLL) of 5,000 LBS.

The purpose of the kit is to allow for additional tie down points in the center of the work deck. Being able to secure a tote or equipment by strapping it down from the side rail to these U-bolts in the center of the deck allows for more work space and prevents tripping hazards.

**WARNING:**

Failure to install tie down kits around I-Beam cross members could create a hazardous situation!

INSTALLATION INSTRUCTIONS:

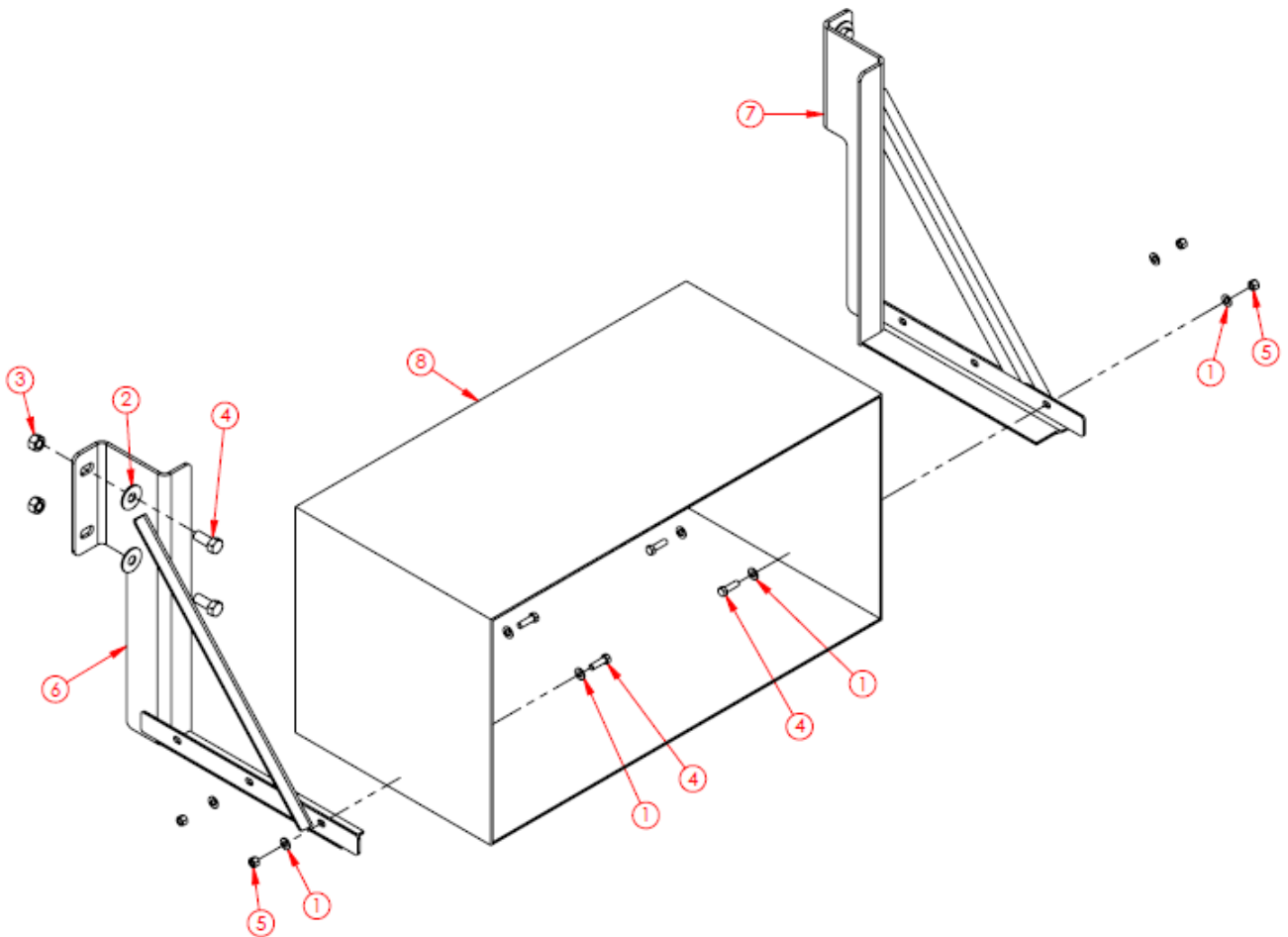
1. Locate the center of the I-beam cross member.
2. Measure 1-3/4" to each side of the cross member center line and drill a 5/8" diameter hole on each side.
3. Drop U-bolt down thru the holes.
4. Install hold down plate and (2) 1/2" nylon locking nuts.

5D000397 - TOOLBOX ASSEMBLY, COMPLETE

BOM ID	Qty	Item No	Description
1	8	1AF009F000C	FLAT WASHER, 3/8", SAE ZINC
2	4	1AF009J0000	FLAT WASHER, 5/8" ZINC
3	4	1AFC05J0000	CENTER LOCK NUT, 5/8"-11, GRA ZINC
4	8	1AFC12JAAH5	HEX BOLT, 5/8"-11 X 1-1/2", GR5 ZINC
5	4	1AFC18F0000	NYLOCK NUT, 3/8"-16, GR2 ZINC
6	1	5D000393	LO-PRO STORAGE/TOOLBOX MOUNT, LEFT
7	1	5D000394	LO-PRO STORAGE/TOOLBOX MOUNT, RIGHT
8	1	TOOLBOX2	18 X 18 X 36 TOOLBOX

**IF ORDERING A COMPLETE TOOLBOX ASSEMBLY FOR SHIPOUT,
USE THE FOLLOWING PART NUMBERS**

Item No	Description
7200010	LT 2-DOOR TOOLBOX, DRIVER SIDE, 36" WIDE, PACKAGED
7200011	LT 2-DOOR TOOLBOX, PASSENGER SIDE, 36" WIDE, PACKAGED

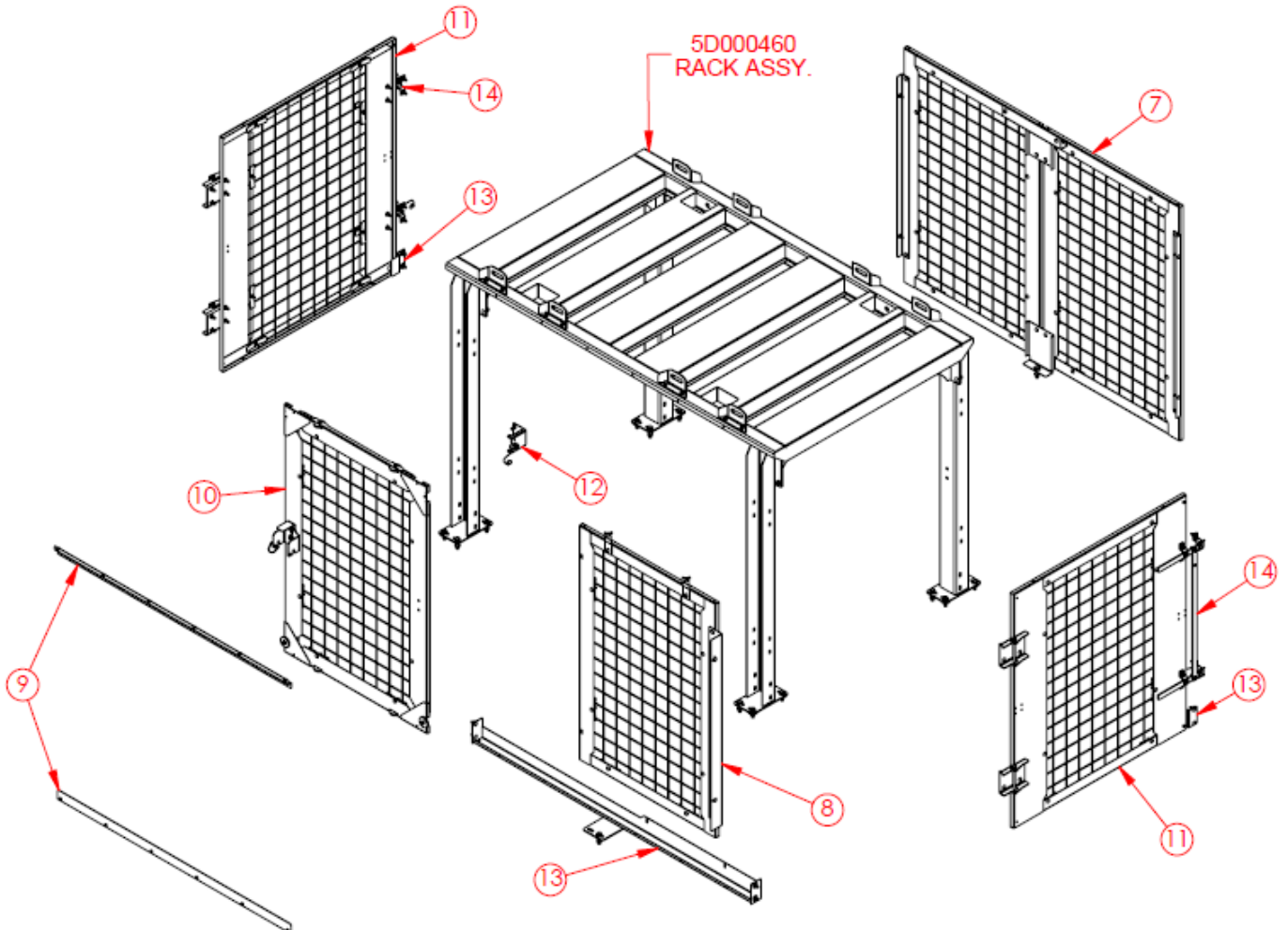


5D000461 - LT TOTE RACK, 5'8" COMPLETE CAGE ASSEMBLY

BOM ID	Item No	Qty	Description
N/A	4D000090	1	FASTENERS, LT TOTE RACK 5' & 5'8" CAGE ASSEMBLY
7	5D000449	1	5'8" WALL SECTION ASSEMBLY - DOUBLE
8	5D000450	1	5'8" WALL SECTION ASSEMBLY - SINGLE
9	5D000451	1	GATE GUIDE ASSEMBLY
10	5D000452	1	5'8" GATE ASSEMBLY
11	5D000454	2	5'8" DOOR ASSEMBLY
12	5D000458	1	GATE CLOSURE ASSEMBLY
13	5D000499	1	SLIDE GATE BASE TRACK WELDMENT
14	5D000547	2	SLIDE DOOR LATCH - 5'8" ASSEMBLY

NOTE: When hanging Side Door Assemblies (5D000454), make sure they swing open from the rear of the trailer. (Hinges closer to the front of the trailer and door latches toward the rear.)

IF ORDERING THE COMPLETE TOTE RACK, 5'8" ASSEMBLY FOR SHIPOUT, USE PART NUMBER 7200002 - LT TOTE RACK - 5' 8" CAGE ASSEMBLY ONLY W/BOX, PACKAGED

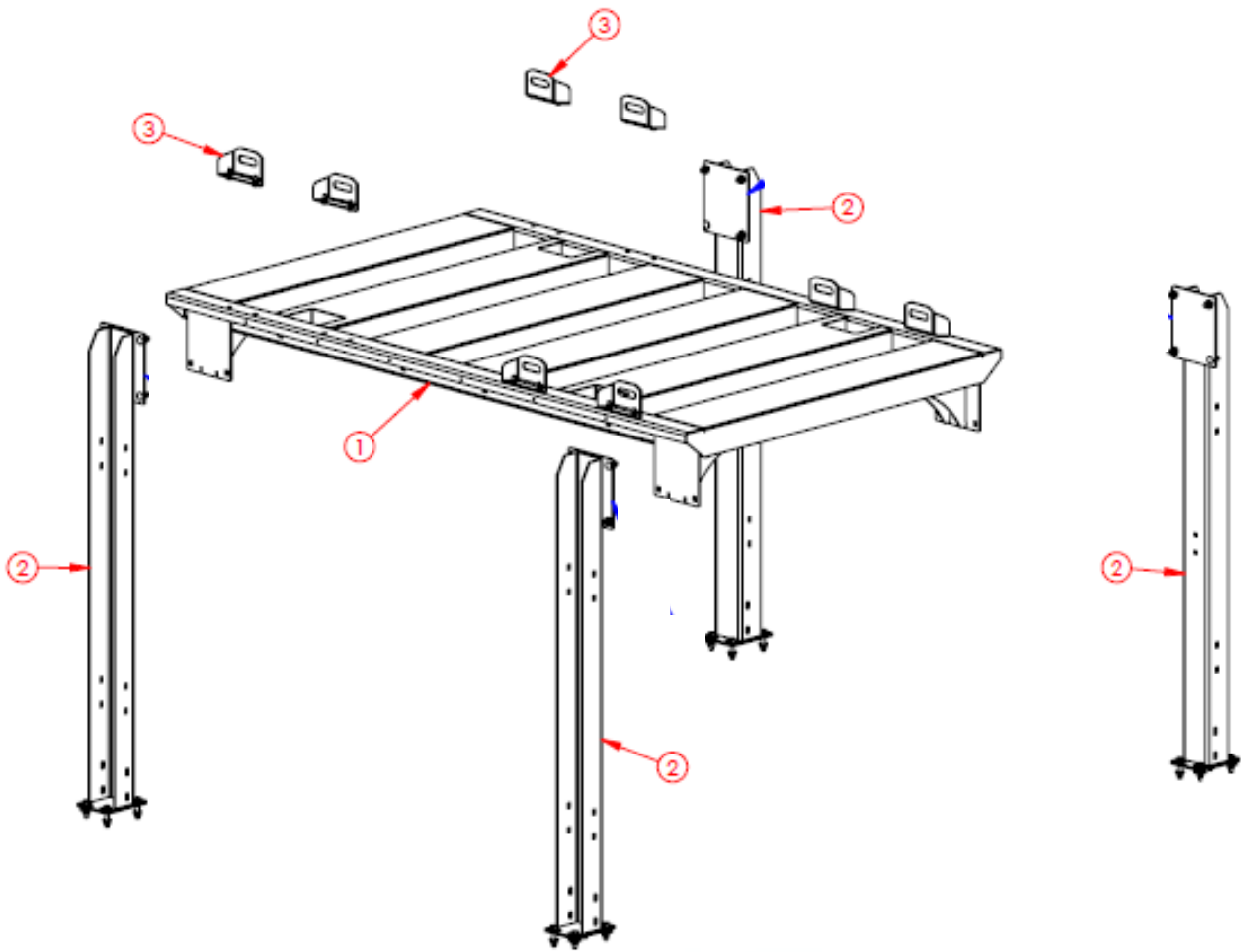


5D000460 - RACK ASSEMBLY DETAIL ON NEXT PAGE

5D000460 - LT TOTE RACK 5' 8", COMPLETE RACK ASSEMBLY

BOM ID	Item No	Qty	Description
N/A	4D000089	1	FASTENERS, LT TOTE RACK 5' & 5'8" RACK ASSEMBLY
1	5D000443	1	DECK ASSEMBLY
2	5D000445	4	LEG ASSEMBLY W/FASTENERS
3	5D000459	8	DECK TIE LOOP ASSEMBLY

IF ORDERING THE LT TOTE RACK 5' 8" RACK ASSEMBLY FOR SHIPOUT, USE PART NUMBER 7200001 - LT TOTE RACK - 5' 8" RACK ASSEMBLY ONLY, PACKAGED

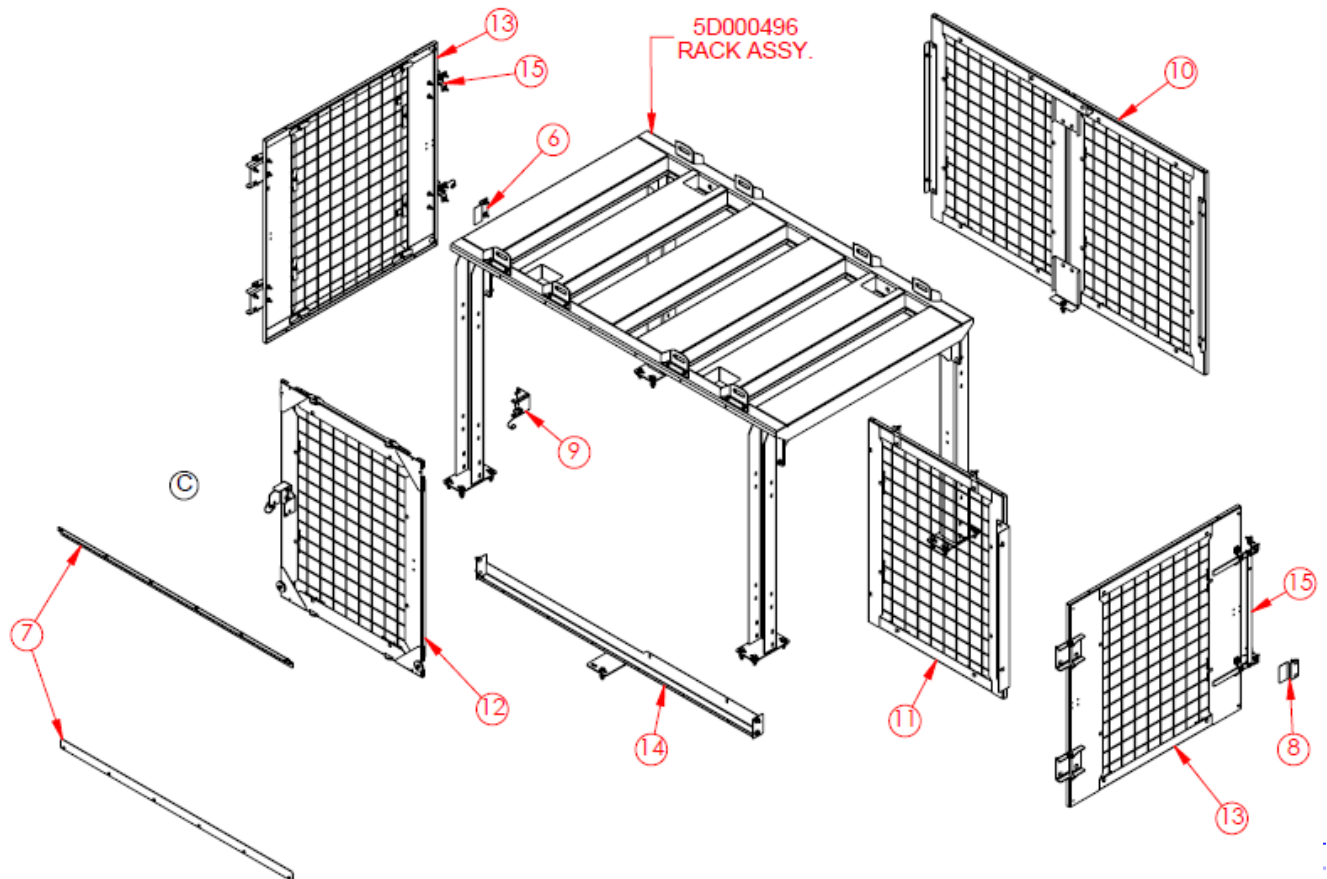


5D000497 - LTTOTE RACK 5', COMPLETE CAGE ASSEMBLY

BOM ID	Item No	Qty	Description
N/A	4D000090	1	FASTENERS, LT TOTE RACK 5' & 5'8" CAGE ASSEMBLY
7	5D000451	1	GATE GUIDE ASSEMBLY
8	5D000456	1	GATE LATCH & BOTTOM STOP
9	5D000458	1	GATE CLOSURE ASSEMBLY
10	5D000491	1	5' WALL SECTION ASSEMBLY - DOUBLE
11	5D000492	1	5' WALL SECTION ASSEMBLY - SINGLE
12	5D000493	1	5' GATE ASSEMBLY
13	5D000495	2	5' DOOR ASSEMBLY
14	5D000499	1	SLIDE GATE BASE TRACK WELDMENT
15	5D000548	2	SIDE DOOR LATCH - 5' ASSEMBLY

NOTE: When hanging Side Door Assemblies (5D000495), make sure they swing open from the rear of the trailer. (Hinges closer to the front of the trailer and door latches toward the rear.)

IF ORDERING THE COMPLETE TOTE RACK, 5' ASSEMBLY FOR SHIPOUT, USE PART NUMBER 7200004 - LTTOTE RACK - 5' CAGE ASSEMBLY ONLY W/BOX, PACKAGED

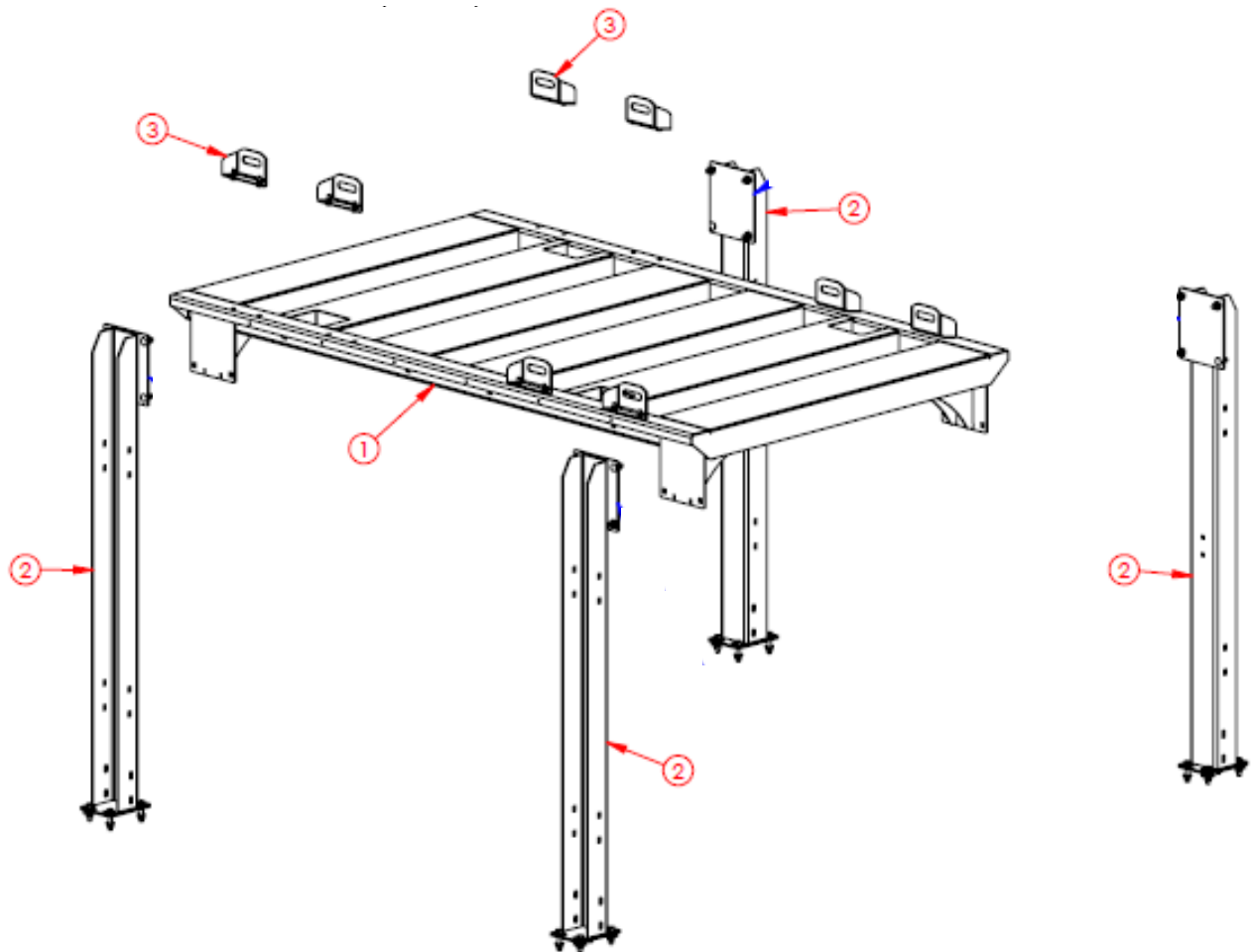


5D000496 - RACK ASSEMBLY DETAIL ON NEXT PAGE

5D000496 - LT TOTE RACK 5', COMPLETE RACK ASSEMBLY

BOM ID	Item No	Qty	Description
N/A	4D000089	1	FASTENERS, LT TOTE RACK 5' & 5'8" RACK ASSEMBLY
1	5D000443	1	DECK ASSEMBLY
2	5D000488	4	5FT LEG ASSEMBLY W/FASTENERS
3	5D000459	8	DECK TIE LOOP ASSEMBLY

IF ORDERING THE LT TOTE RACK 5' RACK ASSEMBLY FOR SHIPOUT, USE PART NUMBER 7200003 - LT TOTE RACK - 5' RACK ASSEMBLY ONLY, PACKAGED



TRAILER AUXILIARY AIR COUPLER OPTION



DO NOT TEE INTO TRAILER AIR LINES TO PROVIDE AUXILIARY AIR! THIS WILL AFFECT TRAILER SAFETY SYSTEMS!

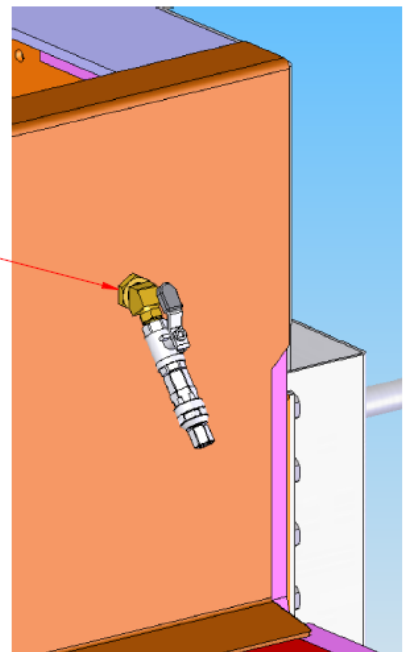
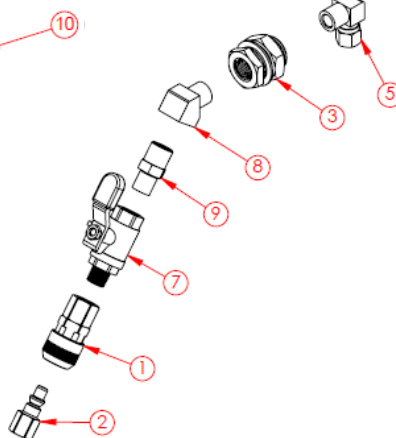
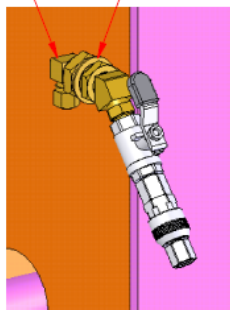


AIR SUPPLY SHOULD ONLY COME DIRECTLY OFF OF AIR TANK, THROUGH AN ADDITIONAL PRESSURE PROTECTION VALVE!

4D000025 - TRAILER ACCESSORY AIR KIT, FRONT

BOM ID	Item No	Qty	Description
1	1AB05343K11	1	HOSE COUPLING, BRASS, 1/4,PUSH CONNECT SOCKET, 1/4 NPT FEMALE END
2	1AB05343K14	1	HOSE COUPLING, 1/4, PLUG, 1/4 NPT FEMALE END, ZINC PLATED
3	1AB0B00BLK0	1	BULKHEAD FITTING, 3/8" FPT, 1" OD, BRASS W/NUT
4	1AB0CL38140	1	AIR FITTING, 90 DEG. 3/8" TUBE X 1/4" MNPT 90 DEG. ELBOW W/ 3/8 X 1/4 MALE
5	1AB0CL38380	1	AIR FITTING, 90 DEGREE, 3/8" TUBE X 3/8" MNPT 90 DEG. ELBOW W/3/8 NPT
6	1AB0T0375S0	23.34	3/8" BRAKE LINE, BLUE SILVER
7	1AB47865K11	1	BRASS ON/OFF VALVE, 1/4 NPT FEMALE X 1/4 NPT MALE
8	1ABAP3688	1	ELBOW 45' ST, 3/8" X 3/8"
9	1ABAP4201	1	NIPPLE, HEX REDUCER, 3/8 MP X 1/4 MP, BRASS
10	1AKNAABAAE0	1	3/4 MP-1/4 MP NIPPLE-STEEL
11	1ASHP000000	1	PRESSURE PROTECTION VALVE-AIRRIDE

BEHIND FRONT BULKHEAD



TRAILER AUXILIARY AIR COUPLER OPTION



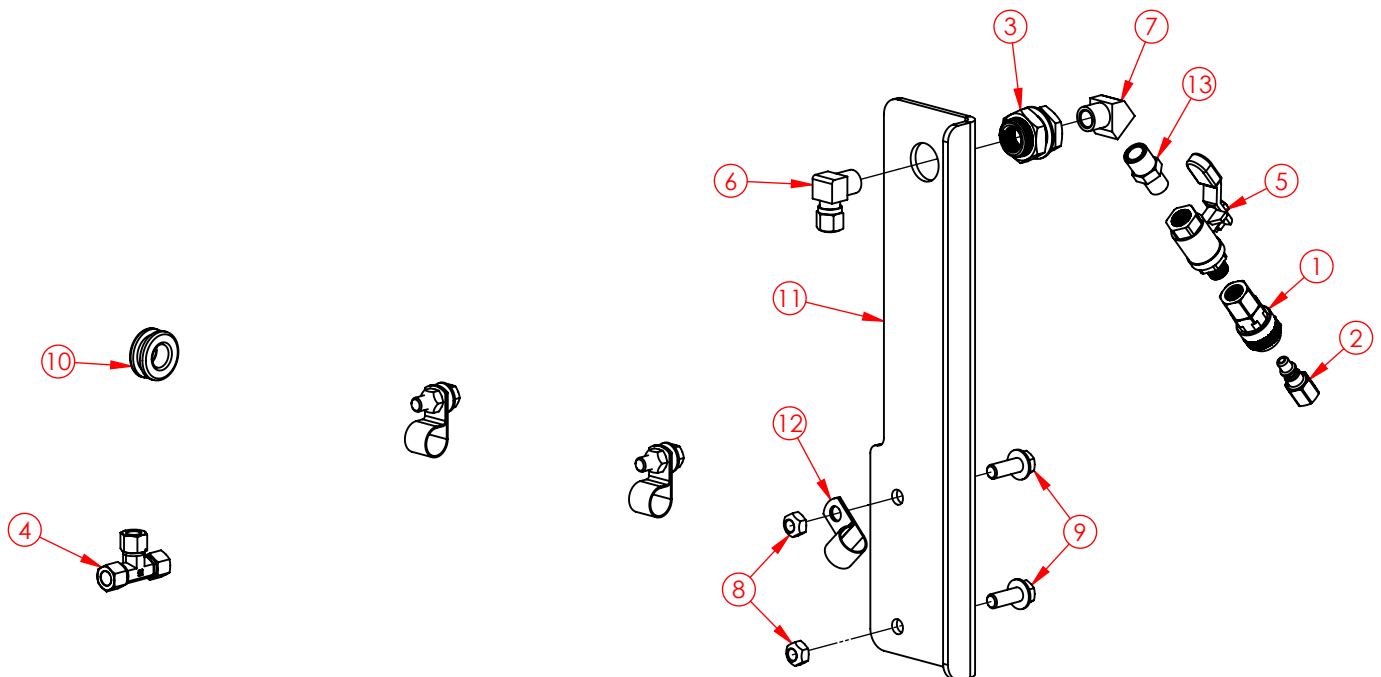
DO NOT TEE INTO TRAILER AIR LINES TO PROVIDE AUXILIARY AIR! THIS WILL AFFECT TRAILER SAFETY SYSTEMS!



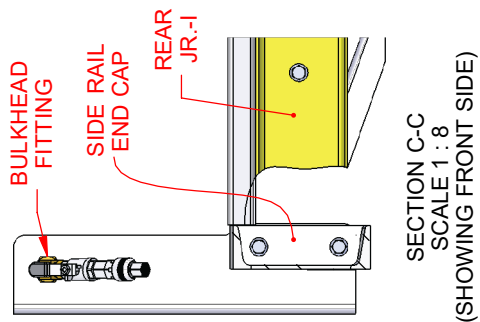
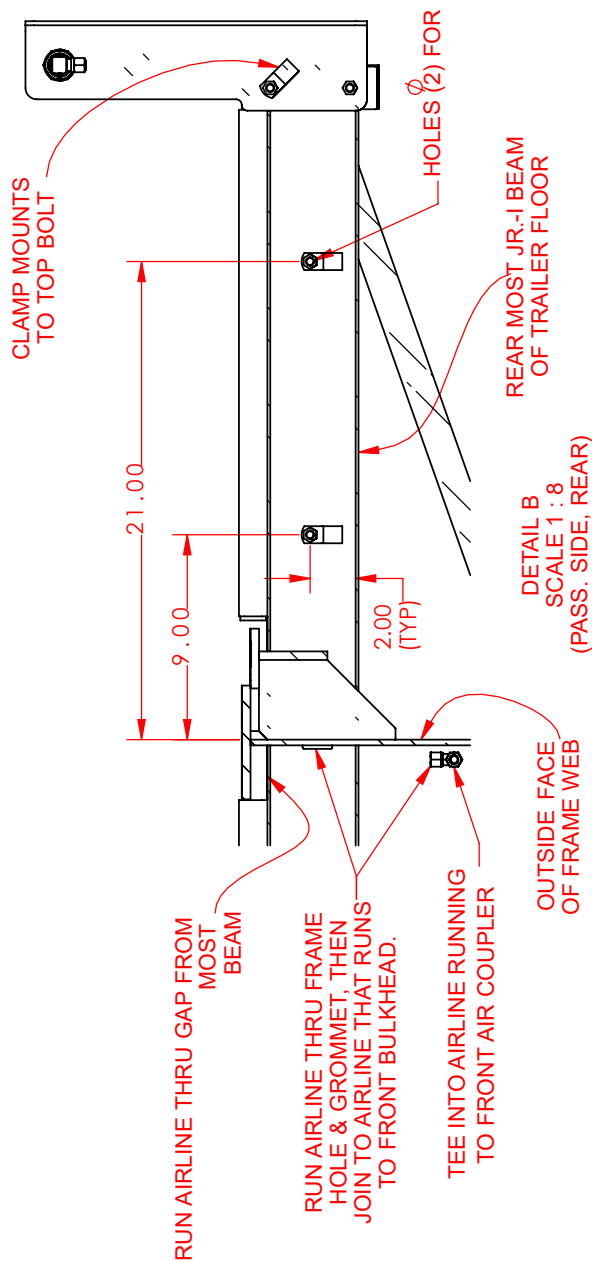
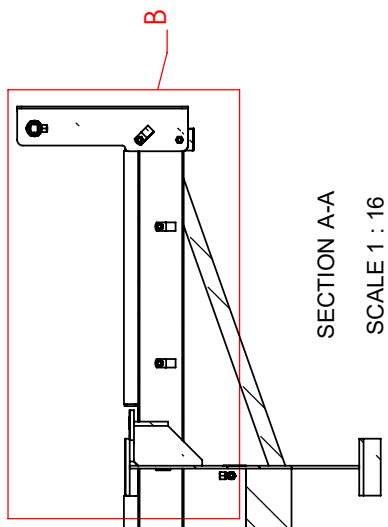
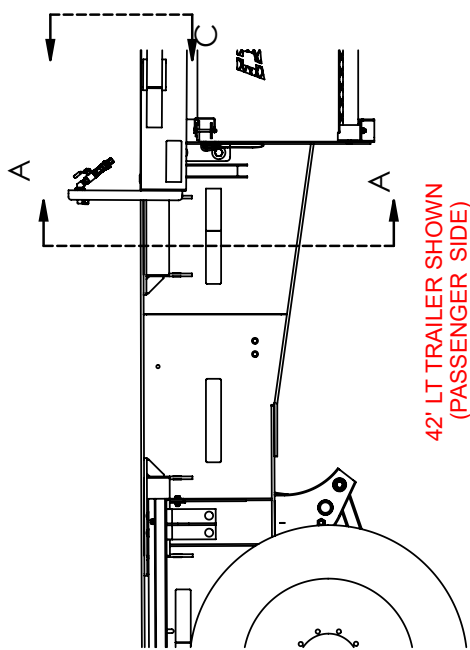
AIR SUPPLY SHOULD ONLY COME DIRECTLY OFF OF AIR TANK, THROUGH AN ADDITIONAL PRESSURE PROTECTION VALVE!

5D000374 - TRAILER AIR COUPLER MOUNT ASSEMBLY, REAR

BOM ID	Item No	Qty	Description
1	1AB05343K11	1	HOSE COUPLING, BRASS, 1/4,PUSH CONNECT SOCKET, 1/4 NPT FEMALE END
2	1AB05343K14	1	HOSE COUPLING, 1/4, PLUG, 1/4 NPT FEMALE END, ZINC PLATED
3	1AB0B00BLK0	1	BULKHEAD FITTING, 3/8" FPT, 1" OD, BRASS W/NUT
4	1AB0CT38380	1	AIR FITTING, UNION TEE, 3/8" TUBE
5	1AB47865K11	1	BRASS ON/OFF VALVE, 1/4 NPT FEMALE X 1/4 NPT MALE
6	1AB0CL38380	1	AIR FITTING, 90 DEGREE, 3/8" TUBE X 3/8" MNPT 90 DEG. ELBOW W/3/8 NPT
7	1ABAP3688	1	ELBOW 45' ST, 3/8" X 3/8"
8	1AFBP3612	4	NUT, HEX LOCK, 3/8"-16 GR C TOP-LOCK ZINC & WAXED
9	1AFBP3692	4	BOLT, FLANGE HEAD, 3/8"- 16 X 1 GR8, SERRATED CLEAR-ZINC
10	1ARAP4549	1	GROMMET, RUBBER, G3272, 1-3/8 GD X 1 ID X 3/8
11	3D000717	1	AIR COUPLER MOUNT BRACKET, REAR
12	1AEAP3806	3	TUBE CLAMP, 3/4"
13	1ABAP4201	1	NIPPLE, HEX REDUCER, 3/8 MP X 1/4 MP, BRASS
14	1AB0T0375B0	4.5'	BRAKE LINE, 3/8", BLUE NYLON



TRAILER ACCESSORY AIR KIT INSTALLATION INSTRUCTIONS



NOTES:

1. TORQUE ALL 3/8" FASTENERS TO 45 FT-LBS.
2. THREAD SEALANT REQUIRED AT ALL THREADED CONNECTIONS.
3. ADD TEE INTO BRAKE LINE THAT SUPPLIES AIR TO THE FRONT KIT.
4. TEE SHOULD BE PLACED INLINE WITH HOLE CUT-OUT IN TRAILER FRAME, AHEAD OF THE PRESSURE PROTECTION VALVE.

12V AUXILIARY POWER KITS

5D000288 - TRUCK 12V DC POWER KIT

BOM ID	Item No	Qty	Description
1	1AEC0036073	2	EYELETS-BARE COPPER 6GA, 3/8" STUD
2	1AEW000WF62	20	PARALLEL BATTERY CABLE, 6GA, BLACK W/RED
3	1AEC0036071	2	EYELETS-BARE COPPER 6GA, 1/4" STUD
4	1AEAP4532	1	CIRCUIT BREAKER, 50 AMP, AERO 0755-623504
5	1AZAP4235	1	PLUG, 2-PIN, MALE
6	1AXCKAKADA0	1	BOX, 10 X 10 X 4

4D000069 - LT FRONT 12V DC POWER KIT, TRAILER (ALL SIZES)

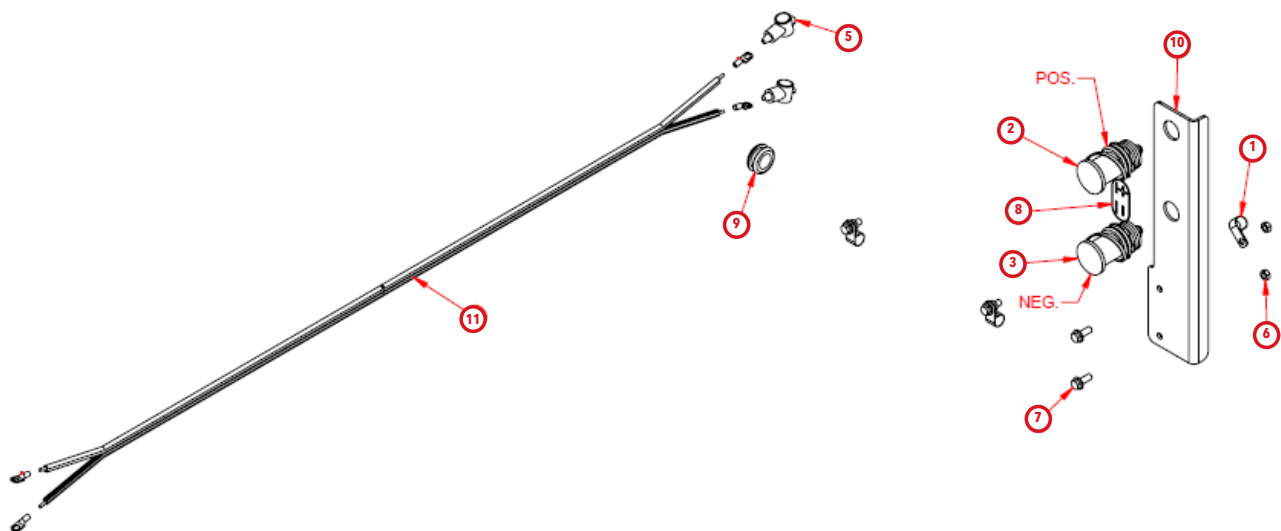
BOM ID	Item No	Qty	Description
1	1AEC4621002	1	BATTERY JUMPER TERMINAL, RED
2	1AEC4621003	1	BATTERY JUMPER TERMINAL, BLACK
3	1AEJ0BUSBAR	1	BUS BAR SET, 12V BLOCK, 250A, W/4 3/8" STUDS & COVER
4	1AEU0023506	2	ALTERNATOR BOOT FOR 8-2 GA - BLACK
5	1AF009D0000	4	FLAT WASHER, 1/4" ZINC
6	1AFBP3587	2	NUT, HEX LOC, 1/4"-20, GR2 NYLOCK ZINC PLT
7	1AFC04DAA00	4	CARRIAGE BOLT, 1/4"-20 X 1", GR5 ZINC
8	1AFC12DAA05	2	HEX BOLT, 1/4"-20 X 1-1/2", GR5 ZINC
9	1AFC18D0005	4	NYLOCK NUT, 1/4"-20, GR5, ZINC, FLANGED
10	1AQPOSINEGI	1	DECAL, + POSITIVE / - NEGATIVE
11	1AZAP4236	1	PLUG, 2 PIN, FEMALE, SHURFLEX, TARP
12	4W029156	1	FRONT POWER CABLE LT - 156"
13	4W059000	1	FRONT BULKHEAD TERMIMAL TO BUS BAR POWER HARNESS

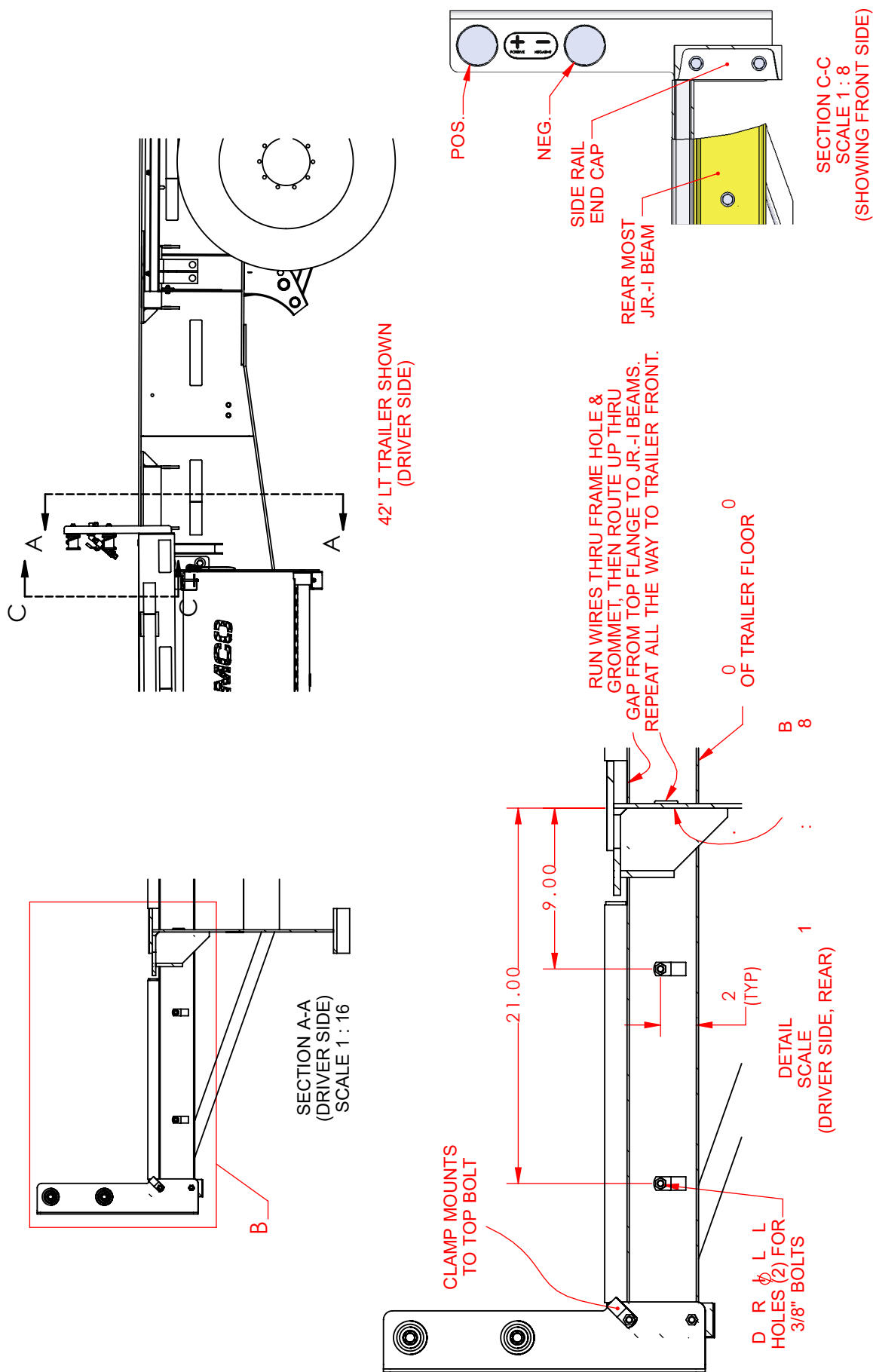
5DXXX - LT REAR 12V DC POWER KIT, TRAILER

Assembly No	Description
5D000438	LT REAR 12V POWER KIT, TRAILER 36'-38'
5D000439	LT REAR 12V POWER KIT, TRAILER 40'-42'
5D000440	LT REAR 12V POWER KIT, TRAILER 48'
5D000441	LT REAR 12V POWER KIT, TRAILER 53'

BOM ID	Item No	Qty	Description
1	1AEP3806	3	TUBE CLAMP, 3/4"
2	1AEC4621002	1	BATTERY JUMPER TERMINAL, RED
3	1AEC4621003	1	BATTERY JUMPER TERMINAL, BLACK
4	1AEM0LCP750	4	3/4" ID CONV. WIRE LOOM
5	1AEU0023506	2	ALTERNATOR BOOT FOR 8-2 GA - BLACK
6	1AFBP3612	4	NUT, HEX LOCK, 3/8"-16 GRC TOP-LOCK ZINC & WAXED
7	1AFBP3692	4	BOLT, FLANGE HEAD, 3/8"-16 X 1 GR8, SERRATED CLEAR-ZINC
8	1AQPOSINEGI	1	DECAL, + POSITIVE / - NEGATIVE
9	1AR58GROMMET	1	GROMMET, 5/8" ID
10	3D000712	1	ELECTRICAL POST BRACKET, REAR
*11	*4W - (Below)	1	REAR POWER CABLE (by length)

*4W029252 - REAR POWER CABLE LT - 36', 38' - 252"	21 FT
*4W029300 - REAR POWER CABLE LT - 40', 42' - 300"	25 FT
*4W029348 - REAR POWER CABLE LT - 48' - 348"	29 FT
*4W029408 - REAR POWER CABLE LT - 53' - 408"	35 FT





42' LT TRAILER SHOWN (DRIVER SIDE)

SECTION C-C
SCALE 1 : 8
(SHOWING FRONT SIDE)

RUN WIRES THRU FRAME HOLE & GROMMET, THEN ROUTE UP THRU GAP FROM TOP FLANGE TO JR.-I BEAMS. REPEAT ALL THE WAY TO TRAILER FRONT.

OF TRAILER FLOOR

- NOTES:**
1. WIRE WILL RUN FROM REAR POWER PLUGS TO FRONT OF TRAILER.
 2. AT FRONT OF TRAILER, WIRE WILL THEN TIE INTO FRONT POWER PLUGS.
 3. TORQUE ALL 3/8" FASTENERS TO 45 FT-LBS.



4010 320th St., Boyden, IA. 51234

Phone: (712) 725-2311

Fax: (712) 725-2380

Toll Free: 1-800-54DEMCO (1-800-543-3626)

**Demco warranty policies, operator manuals, and product registration
can be found online:**

www.demco-products.com