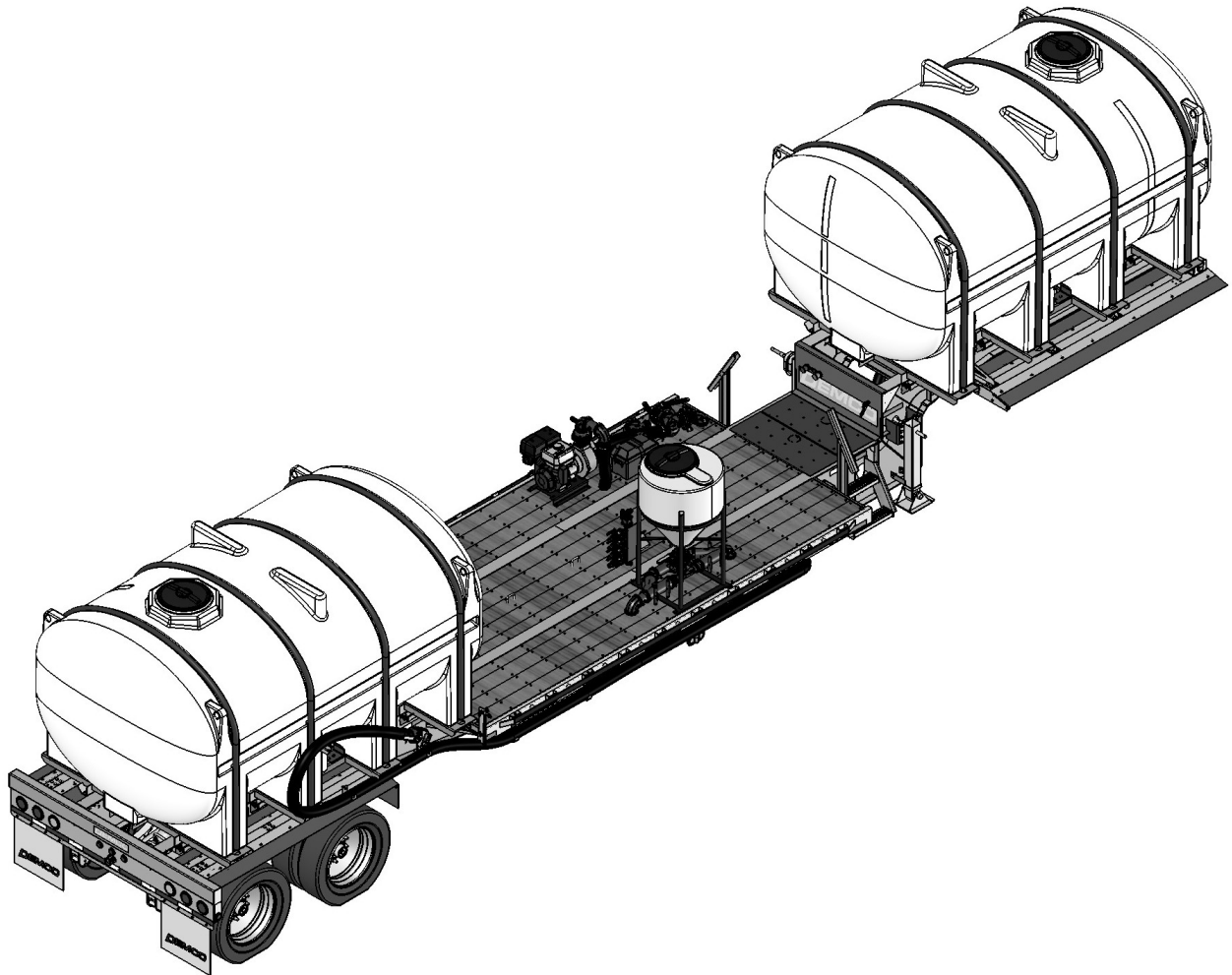




Doing Our Best to Provide You the Best

8D000007, Rev B
04/26

LIQUID TENDER PLUMBING OPTIONS



PARTS MANUAL

TABLE OF CONTENTS

Overview	3
Plumbing Package Information	3
Contact Information	3
How To Order Parts.....	3
Plumbing Options	4
Basic Plumbing Package	5
Deluxe Plumbing Package	9
Deluxe Plumbing Package W/Pump Assist.....	15
DEMCO Premier Plumbing Package W/Dura FastBatch™ DI Spray Fill System..	21
Tote Chemical Supply Line Assembly	29
FastBatch™ MultiJet Calibration Hose Assembly.....	30
FastBatch™ MultiJet Tower Power Kit	31
Boom Arm Plumbing Kit.....	32
Hose Reel Plumbing Kit.....	38
Hose Reel Electrical Kit	40
Plumbing Blow Down Kit.....	41
Plumbing Electrical Kit	42
Plumbing Fill Crossover Line Driver Load	43

LIQUID TENDER PLUMBING PACKAGE INFORMATION

This parts manual is for the Demco Liquid Tender Trailer Plumbing Packages & Accessories. These parts may have been purchased when ordering the trailer, or added as accessories at a later time. In either case, ordering new parts or replacement parts can follow the same process.

Plumbing Package Options:

1. Basic Plumbing Package - Includes plumbing from front and rear tanks to a central fill bank/valve cluster
2. Deluxe Plumbing Package - Upgrades to a deluxe inductor (60 gallon cone, 4 valve manifold for filling from totes, flow meter, and jug rinse)
3. DEMCO Premier Plumbing Package with Dura FastBatch™ DI Spray Fill System - Upgrades to an integrated MultiJet System by Dura Products for faster mixing and filling. Features an auto-batch high-flow system and 4 chemical direct injection
- Compatible with 38', 40', 42', 48', and 53' Demco Liquid Tender Trailer Lengths

Available Accessories:

1. Boom Arm Kit
2. Hose Reel Kit
3. Plumbing Blow Down & Electrical Kits

CONTACT INFORMATION FOR ADDED MANUFACTURE PARTS

Some of the plumbing includes purchased parts from other manufacturers. Their QR Codes and links to manuals are provided for easy access to information related to installation, maintenance, safety, parts, etc. Additionally, customer support phone numbers and emails are included for further assistance.

- **Dura Products FastBatch™ Systems** - Product Manuals & User Guides:
<https://duraproducts.com/dura-product-manuals-guides/>
- Dura Products Customer Service can be reached by calling 317-984-4003 or by emailing CustomerService@DuraProducts.com
- **Flomec** - Owners Manuals link <https://greatplainsindustries.com/pages/owners-manuals>
- Flomec Product Support Center can also be contacted for assistance by calling 1-800-835-0113 or by visiting their online support center at greatplainsindustries.com/pages/support-center
- **Hannay** - Owners Manuals link <https://www.hannay.com/en-US/support/maintenance-and-installation-guides/>
- Hannay Customer Service can also be contacted for assistance by calling 1-877-467-3357 or by emailing reels@hannay.com
- **John Blue** - Owners Manuals link <https://johnblue.com/product/centrifugal-pumps-coupled-to-gasoline-engines/>
- John Blue Customer Service can also be contacted for assistance by calling 1-800-253-2583 or by emailing johnblue.com
- **Honda** - Owners Manuals link <https://engines.honda.com/support-and-service/owners-manuals>
- Honda Customer Relations can also be contacted for assistance by calling 1-770-497-6400



HOW TO ORDER PARTS

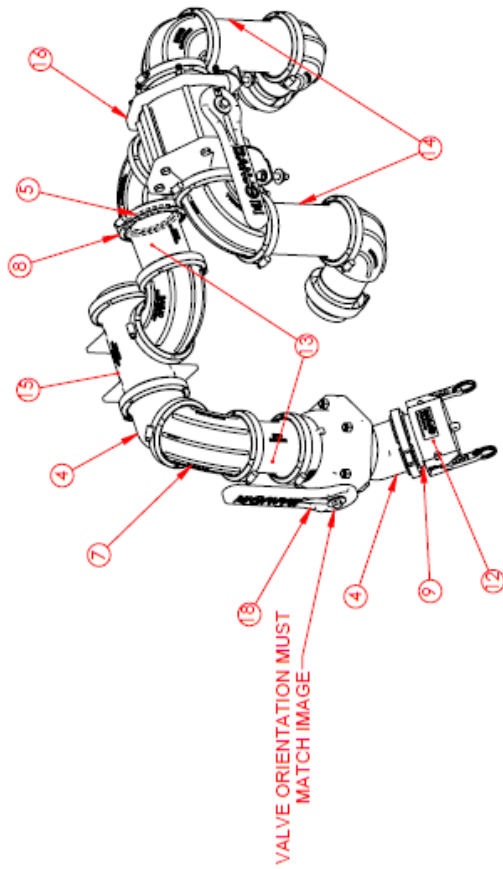
Use this manual to help determine the part number needed, then contact your dealer with the model number, serial number, and part information. They can order the part(s) directly from Demco.

PLUMBING OPTIONS

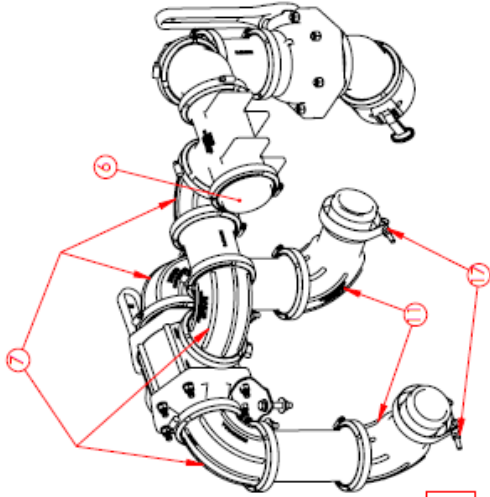
The following pages contain parts information for plumbing options that can be added to your Demco Liquid Tender Trailer.

BOM ID	Qty	Item No	Description
1	4	1AF009F0000	FLAT WASHER, 3/8" ZINC
2	4	1AFBP3685	BOLT, FLNG HHEAD, 3/8"-16 X 2, GRD 8, Y-ZINC PLTD
3	4	1AFC18F0000	NYLOCK NUT, 3/8"-16, GR2 ZINC
4	2	1AM300CPG45	3" X 3" FLANGED 45 DEGREE ELBOW
5	17	1AM300G0000	3" EPDM FLANGE GASKET
6	1	1AM00300PLG	3" EPDM FLANGE GASKET
7	5	1AM300SWP90	3" X 3" MANIFOLD FLANGE SWEEP 90 DEGREES
8	17	1AMFC300000	3" FLANGE CLAMP
9	1	1AMM300A000	3" MALE CAM LOCK X 3" MANIFOLD
10	1	1AMM300BRB0	3" FLANGE X 3" HOSE BARB STRAIGHT
11	3	1AMM300BS90	3" HOSE BARB X 3" MANIFOLD FLANGE SWEEP
12	1	1AMM300CAPO	3" CAM LOCK CAP
13	2	1AMM300CPG0	3" X 3" MANIFOLD COUPLING
14	2	1AMM300CPG7	3" X 7" MANIFOLD COUPLING
15	1	1AMM300TEEO	3" FLANGED TEE
16	1	1AMMV300BLO	3" FULL PORT MANIFOLD STUBBY 3-WAY VALVE
17	4	1AMTC343000	3" T-BOLT HOSE CLAMP, 3 7/16" - 3 3/4"
18	1	1AMVS300CFF	3" FULL PORT MANIFOLD STUBBY 2-WAY VALVE
19	1	3D000946	LT 3 WAY BL VALVE SIDE MOUNT BRACKET LEFT
20	1	3D000955	LT 3 WAY BL VALVE SIDE MOUNT BRACKET RIGHT

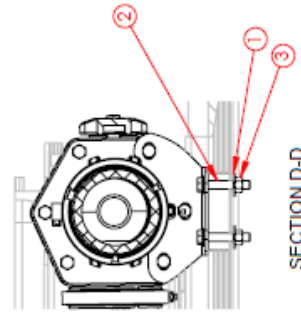
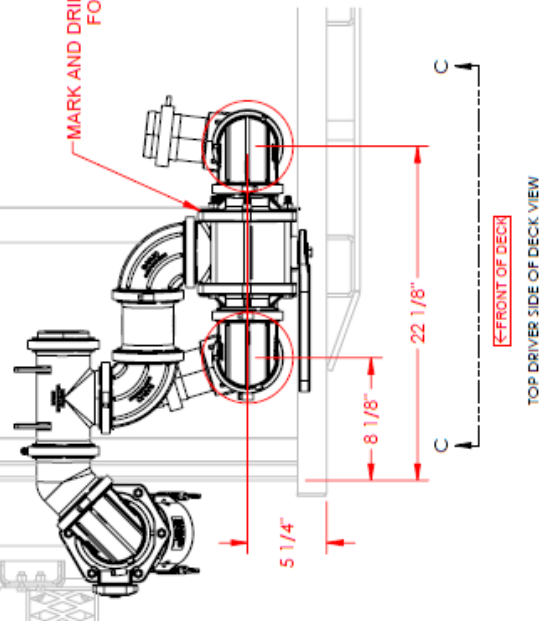
*See print images on next pages.



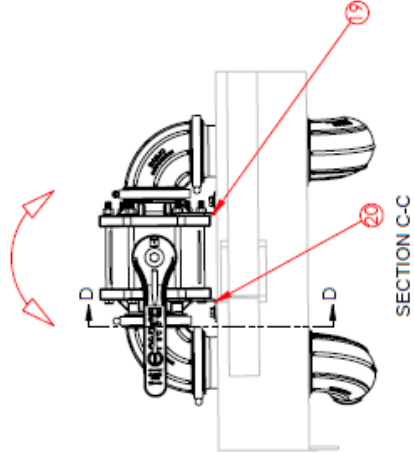
WHEN ASSEMBLING THE CLUSTER INSTALL ITEMS (13), (16), & (19) AFTER THE CLUSTER HAS BEEN MOUNTED TO THE DECK



HANDLE MUST BE ABLE TO OPERATE WITHOUT HITTING THE DECK

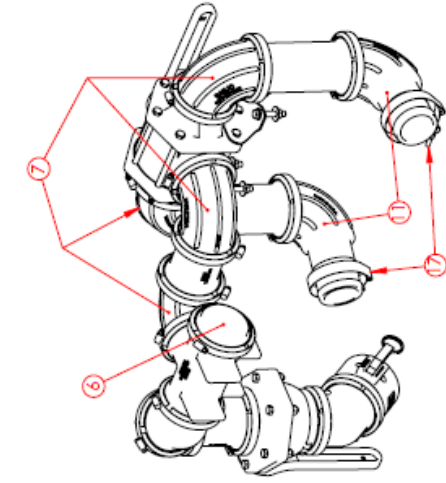


BEFORE DRILLING HOLES DOUBLE CHECK ALL DIMENSIONS TO JR. 1

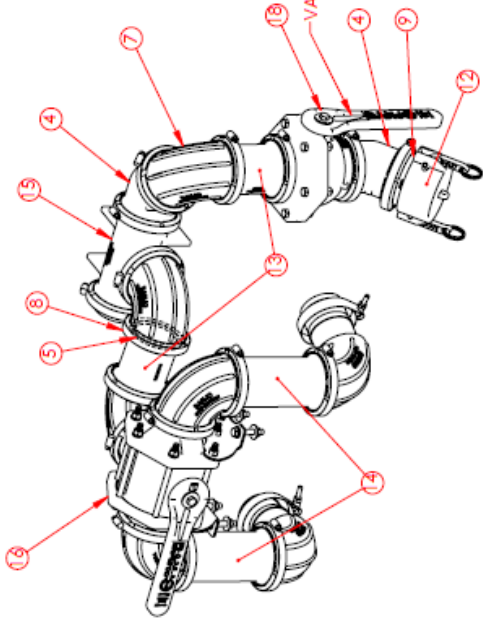


DRIVER LOAD

*See part number callout on page 5.

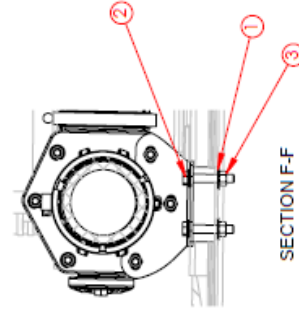
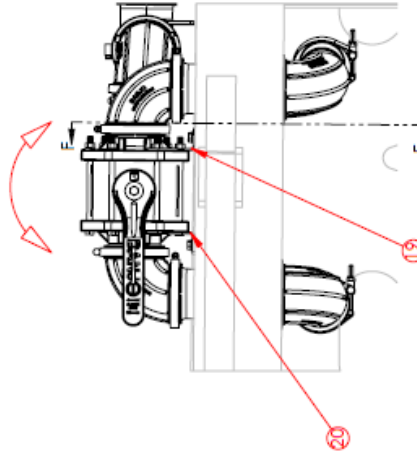


VALVE ORIENTATION MUST MATCH IMAGE

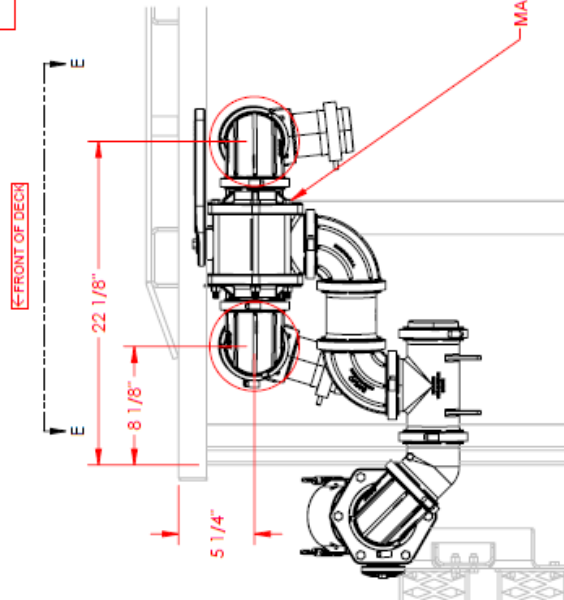


WHEN ASSEMBLING THE CLUSTER INSTALL ITEMS (13), (16), & (19) AFTER THE CLUSTER HAS BEEN MOUNTED TO THE DECK

HANDLE MUST BE ABLE TO OPERATE WITHOUT HITTING THE DECK



MARK AND DRILL MOUNTING HOLES FOR VALVE



TOP DRIVER SIDE OF DECK VIEW

BEFORE DRILLING HOLES DOUBLE CHECK ALL DIMENSIONS TO J.R. I

PASSENGER LOAD

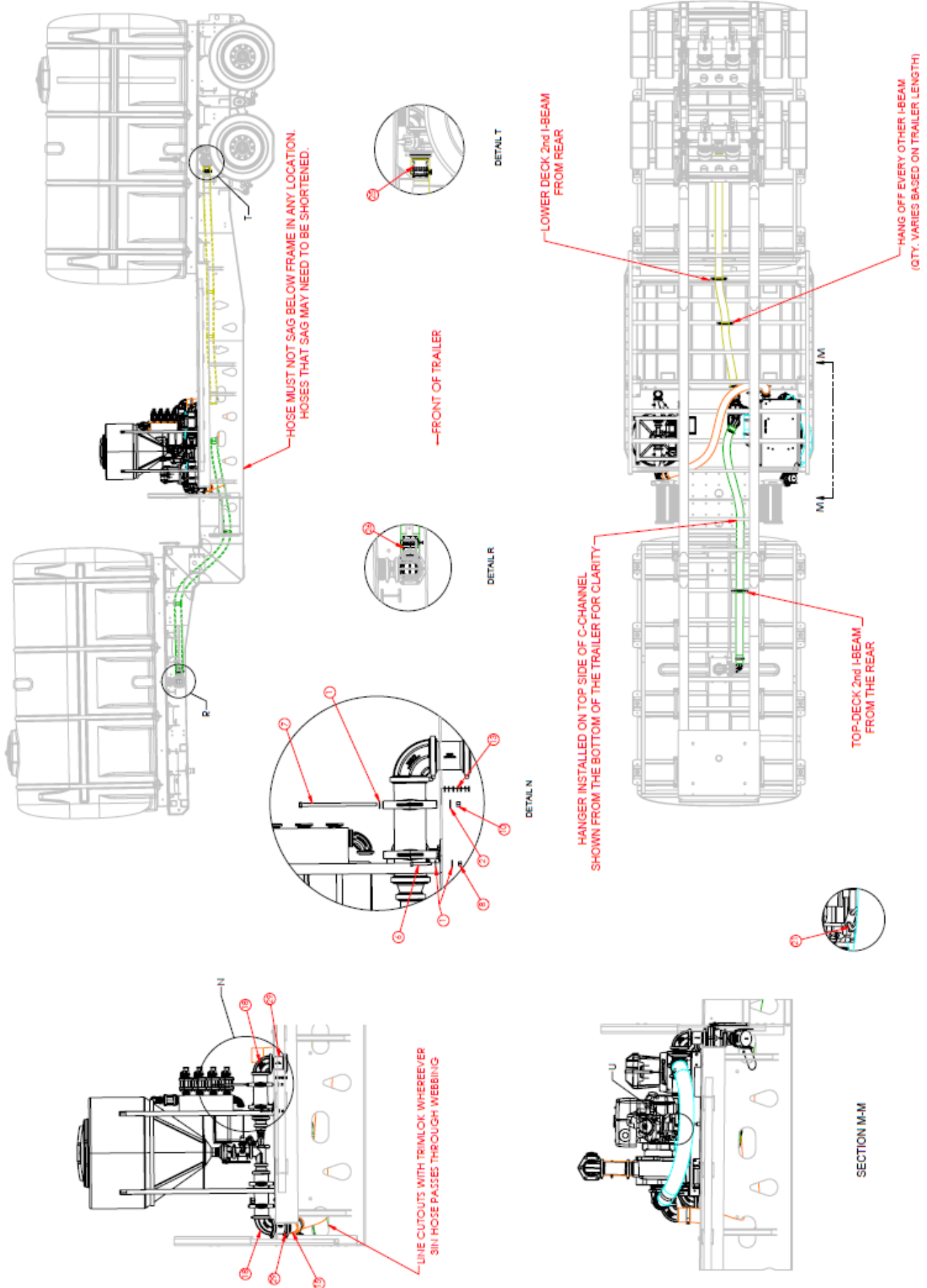
***See part number callout on page 5.**

BOM ID	Qty	Item No	Description
1	12	1AF009E0000	FLAT WASHER, 5/16"
2	12	1AF009F0000	FLAT WASHER, 3/8"
3	4	1AF9213K112	VIBRATION ISOLATOR MOUNT, 1-9/16" OD X 1" TALL, 5/16" STUDS, NEOPRENE, 180 LB
4	8	1AFBP3685	BOLT, FLNG HEAD, 3/8"-16 X 2, GR8, Y-ZINC PLATED
5	6	1AFC04EAA0	CARRIAGE BOLT, 5/16"-18 X 3/4", GR5 ZINC
6	4	1AFC12EBA05	HEX BOLT, 5/16"-18 X 2-1/4", GR5 ZINC
7	4	1AFC12EJAF5	HEX BOLT, 3/8"-16 X 9, GR5 ZINC
8	4	1AFC18E0000	NYLOCK NUT, 5/16"-18, GR2 ZINC
9	22	1AFC18E0005	NYLOCK NUT, 5/16"-18, GR5, ZINC, FLANGED
10	12	1AFC18F0000	NYLOCK NUT, 3/8"-16, GR2 ZINC
11	8	1AFC37EAA05	HEX FLANGE BOLT, 5/16"-18 X 1", GR5 ZINC, SERRATED
12	1	1AFU76CA116	1/16" DIAMETER 14" LONG WIRE ROPE LANYARD-STAINLESS STEEL
13	28	1AFV09N0000	3/8" ID X 5/8" OD NYLON WASHER-BLACK
14	1	1AM0335013H	JOHN BLUE CAST IRON WET SEAL PUMP ASSY, 13HP, 400GPM
15	3	1AM300BRB45	3" FLANGE X 3" HOSE BARB 45 DEGREE
16	2	1AM300CPG45	3" X 3" FLANGED 45 DEGREE ELBOW
17	35	1AM300G0000	3" EPDM FLANGE GASKET
18	9	1AM300SWP90	3" X 3" MANIFOLD FLANGE SWEEP
19	1	1AM300SWPG9	3" HOSE BARB X 3" MANIFOLD FLANGE SWEEP W/ 1/4" GAUGE PORT
20	1	1AM31G950T0	12V GROUP 31 BATTERY, TOP STUD, DEEP CYCLE
21	1	1AM500HON10	OIL DRAIN KIT, 8-13HP HONDA
22	1	1AMBATBOX27	12V BATTERY BOX, DEKA GROUP 27
23	35	1AMFC300000	3" FLANGE CLAMP
24	1	1AMM300A000	3" MALE CAM LOCK X 3" MANIFOLD
25	1	1AMM300BRB0	3" FLANGE X 3" HOSE BARB STRAIGHT
26	7	1AMM300BS90	3" HOSE BARB X 3" MANIFOLD FLANGE SWEEP
27	1	1AMM300C550	3" MANIFOLD COUPLING, 5 1/2" LENGTH
28	1	1AMM300CAPO	3" CAM LOCK CAP
29	4	1AMM300CPG0	3" X 3" MANIFOLD COUPLING
30	2	1AMM300CPG2	3" MANIFOLD COUPLING, 2" LENGTH

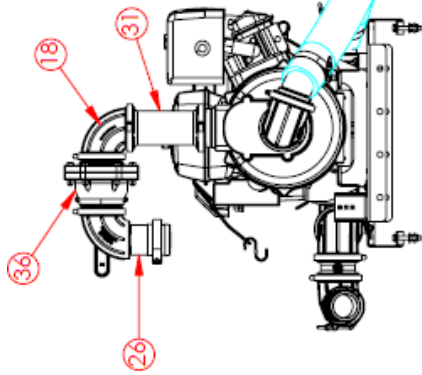
*Continued on next page.

BOM ID	Qty	Item No	Description
31	4	1AMM300CPG7	3" X 3" MANIFOLD COUPLING, 7" LENGTH
32	1	1AMM300TEEO	3" FLANGED TEE
33	1	1AMMV300BLO	3" FULL PORT MANIFOLD STUBBY 3-WAY VALVE
34	1	1AMRV060V34	MIC INDUCTOR CONE W/STAINLESS JUG RINSE & UP TO 4 LINES, REVERSE FLOW
35	13	1AMTC343000	3" T-BOLT HOSE CLAMP, 3 7/16" - 3 3/4"
36	2	1AMVS300CFF	3" FULL PORT MANIFOLD STUBBY 2-WAY VALVE
37	1	1AR00056728	TARP STRAP 24IN, RUBBER, BLACK
38	1	3D000934	LT PLUMBING SKID BASE
39	1	3D000935	LT PLUMBING SKID BATTERY TRAY
40	2	3D000945	LT PLUMBING SKID BATTERY TRAY STOPS
41	1	3D000946	LT 3 WAY BL VALVE SIDE MOUNT BRACKET LEFT
42	1	3D000955	LT 3 WAY BL VALVE SIDE MOUNT BRACKET RIGHT
43	1	3D000964	LT FITTING STANDOFF TOP ADJUSTABLE 4-6IN
44	1	3D000965	LT FITTING STANDOFF BOTTOM ADJUSTABLE 4-6IN
45	1	4D000096	LT PLUMBING BLOW DOWN KIT

***See print images on next pages.**

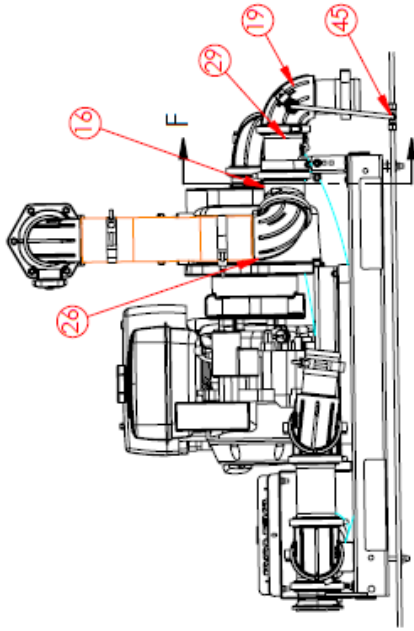


*See part number callout on pages 9-10.

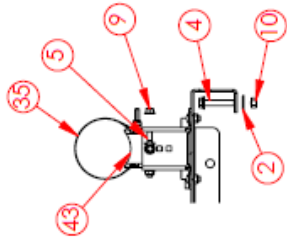


STEP 5 - INSTALL PLUMBING TO INLET AND OUTLET OF PUMP AS SHOWN

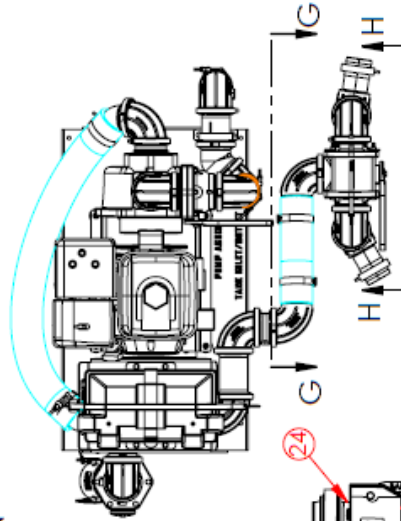
INSTALL REEL STAND BETWEEN STEPS 5 AND 6 IF APPLICABLE



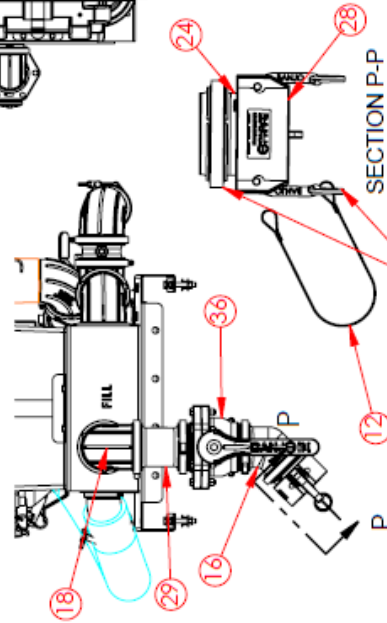
STEP 6 - BOLT SKID TO DECK & INSTALL DISCHARGE FITTINGS



SECTION F-F

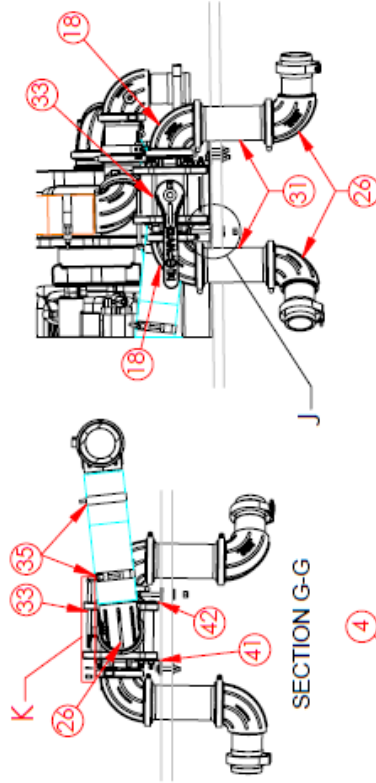


STEP 8 - INSTALL 3-WAY MANIFOLD PORT



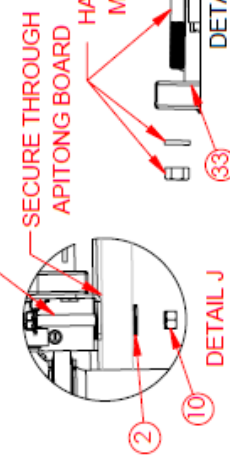
STEP 7 - INSTALL FILL PORT

LOOP ONE END OF LANYARD THROUGH RING, LOOP THE OTHER THROUGH FLANGE CLAMP



SECTION G-G

SECTION H-H



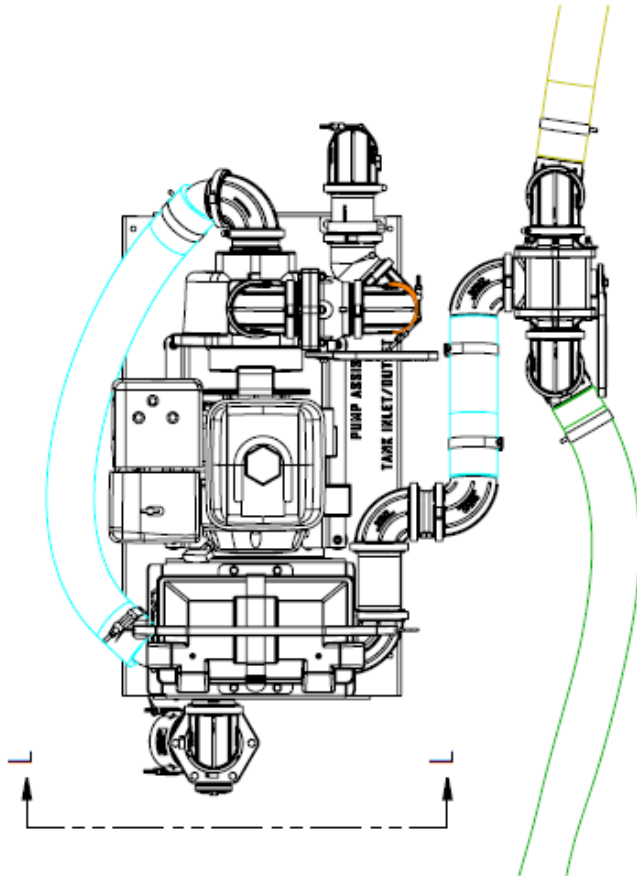
SECTION H-H

DETAIL J

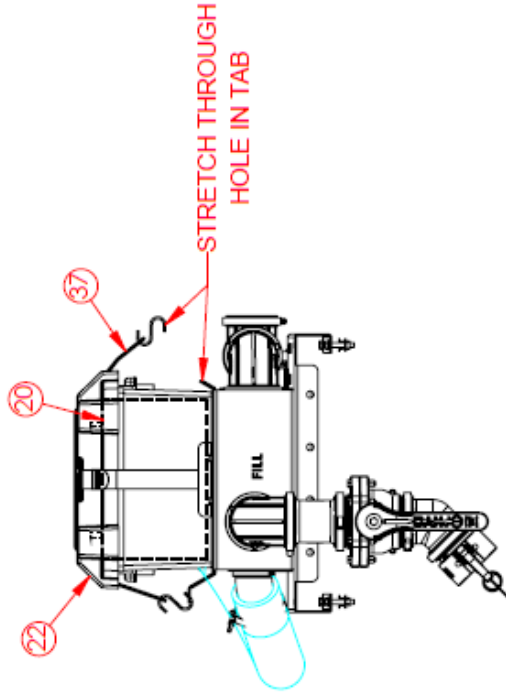
DETAIL K

HARDWARE COMES W/ 3 WAY PORT MANIFOLD. TORQUE TO 60 IN.-LBS.

*See part number callout on pages 9-10.



STEP 9 - INSTALL BATTERY W/WIRING



SECTION L-L

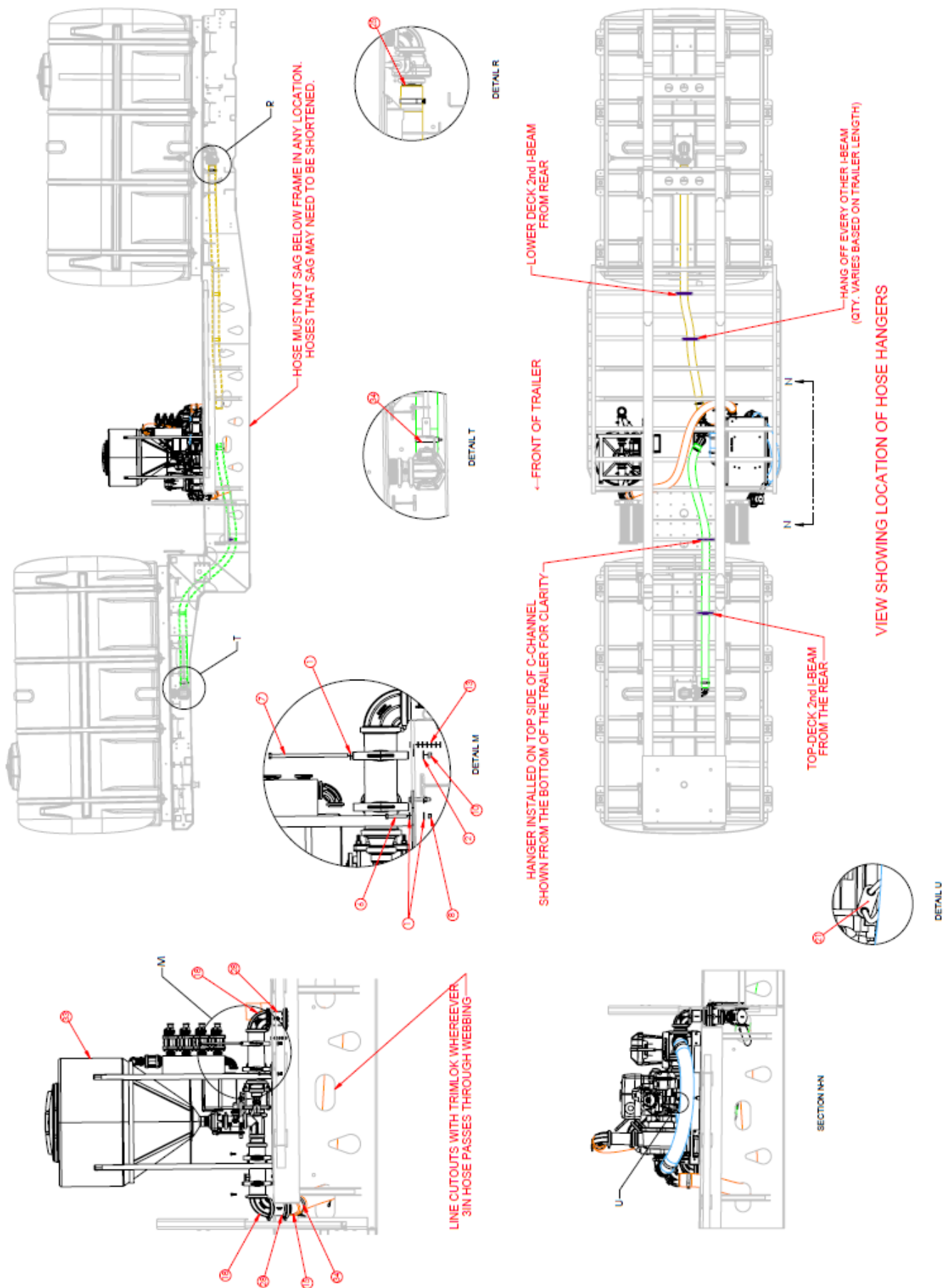
*See part number callout on pages 9-10.

BOM ID	Qty	Item No	Description
1	12	1AF009E0000	FLAT WASHER, 5/16"
2	12	1AF009F0000	FLAT WASHER, 3/8"
3	4	1AF9213K112	VIBRATION ISOLATOR MOUNT, 1-9/16" OD X 1" TALL, 5/16" STUDS, NEOPRENE, 180 LB
4	8	1AFBP3685	BOLT, FLNG HEAD, 3/8"-16 X 2, GR8, Y-ZINC PLATED
5	6	1AFC04EAA10	CARRIAGE BOLT, 5/16"-18 X 3/4", GR5 ZINC
6	4	1AFC12EBA05	HEX BOLT, 5/16"-18 X 2-1/4", GR5 ZINC
7	4	1AFC12EJAF5	HEX BOLT, 3/8"-16 X 9, GR5 ZINC
8	4	1AFC18E0000	NYLOCK NUT, 5/16"-18, GR2 ZINC
9	22	1AFC18E0005	NYLOCK NUT, 5/16"-18, GR5, ZINC, FLANGED
10	12	1AFC18F0000	NYLOCK NUT, 3/8"-16, GR2 ZINC
11	8	1AFC37EAA05	HEX FLANGE BOLT, 5/16"-18 X 1", GR5 ZINC, SERRATED
12	1	1AFU76CA116	1/16" DIAMETER 14" LONG WIRE ROPE LANYARD-STAINLESS STEEL
13	28	1AFV09N0000	3/8" ID X 5/8" OD NYLON WASHER-BLACK
14	1	1AM0335013H	JOHN BLUE CAST IRON WET SEAL PUMP ASSY, 13HP, 400GPM
15	3	1AM300BRB45	3" FLANGE X 3" HOSE BARB 45 DEGREE
16	3	1AM300CPG45	3" X 3" FLANGED 45 DEGREE ELBOW
17	42	1AM300G0000	3" EPDM FLANGE GASKET
18	11	1AM300SWP90	3" X 3" MANIFOLD FLANGE SWEEP
19	1	1AM300SWPG9	3" HOSE BARB X 3" MANIFOLD FLANGE SWEEP W/ 1/4" GAUGE PORT
20	1	1AM31G950T0	12V GROUP 31 BATTERY, TOP STUD, DEEP CYCLE
21	1	1AM500HON10	OIL DRAIN KIT, 8-13HP HONDA
22	1	1AMBATBOX27	12V BATTERY BOX, DEKA GROUP 27
23	42	1AMFC300000	3" FLANGE CLAMP
24	1	1AMM300A000	3" MALE CAM LOCK X 3" MANIFOLD
25	1	1AMM300BRB0	3" FLANGE X 3" HOSE BARB STRAIGHT
26	7	1AMM300BS90	3" HOSE BARB X 3" MANIFOLD FLANGE SWEEP
27	1	1AMM300CAPO	3" CAM LOCK CAP
28	6	1AMM300CPGO	3" X 3" MANIFOLD COUPLING
29	2	1AMM300CPG2	3" MANIFOLD COUPLING, 2" LENGTH

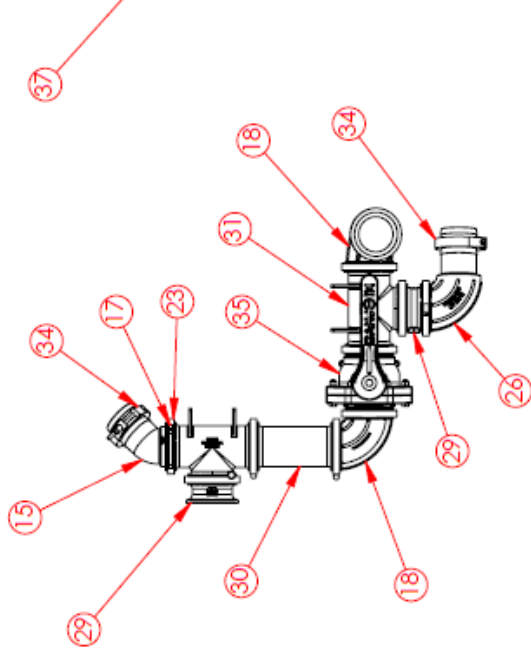
*Continued on next page.

BOM ID	Qty	Item No	Description
30	4	1AMM300CPG7	3" X 3" MANIFOLD COUPLING, 7" LENGTH
31	2	1AMM300TEEO	3" FLANGED TEE
32	2	1AMMV300BLO	3" FULL PORT MANIFOLD STUBBY 3-WAY VALVE
33	1	1AMRV060V34	MIC INDUCTOR CONE W/STAINLESS JUG RINSE & UP TO 4 LINES, REVERSE FLOW
34	13	1AMTC343000	3" T-BOLT HOSE CLAMP, 3 7/16" - 3 3/4"
35	2	1AMVS300CFF	3" FULL PORT MANIFOLD STUBBY 2-WAY VALVE
36	1	1AR00056728	TARP STRAP 24IN, RUBBER, BLACK
37	1	3D000934	LT PLUMBING SKID BASE
38	1	3D000935	LT PLUMBING SKID BATTERY TRAY
39	2	3D000945	LT PLUMBING SKID BATTERY TRAY STOPS
40	1	3D000946	LT 3 WAY BL VALVE SIDE MOUNT BRACKET LEFT
41	1	3D000955	LT 3 WAY BL VALVE SIDE MOUNT BRACKET RIGHT
42	1	3D000964	LT FITTING STANDOFF TOP ADJUSTABLE 4-6IN
43	1	3D000965	LT FITTING STANDOFF BOTTOM ADJUSTABLE 4-6IN
44	1	4D000096	LT PLUMBING BLOW DOWN KIT

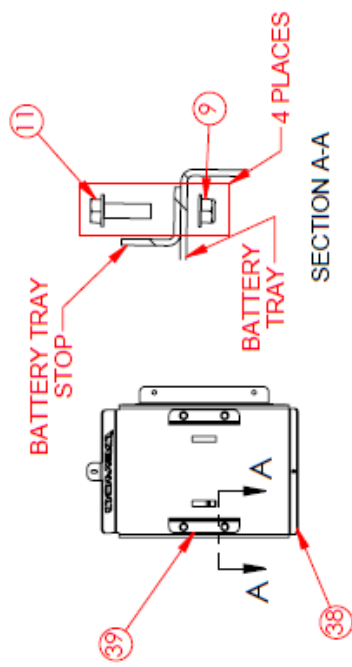
***See print images on next pages.**



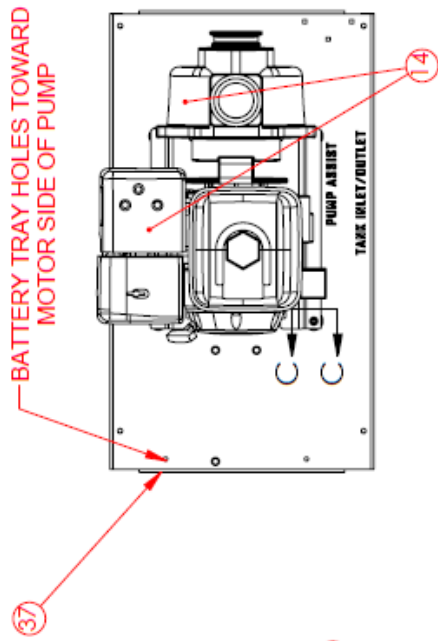
*See part number callout on pages 15-16.



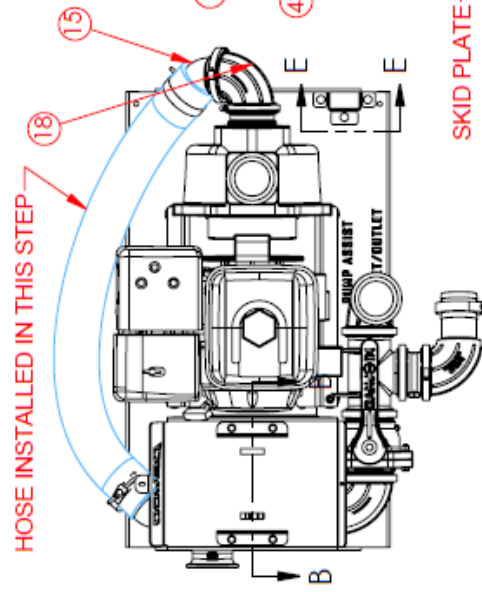
STEP 1 - ASSEMBLE SKID PLUMBING



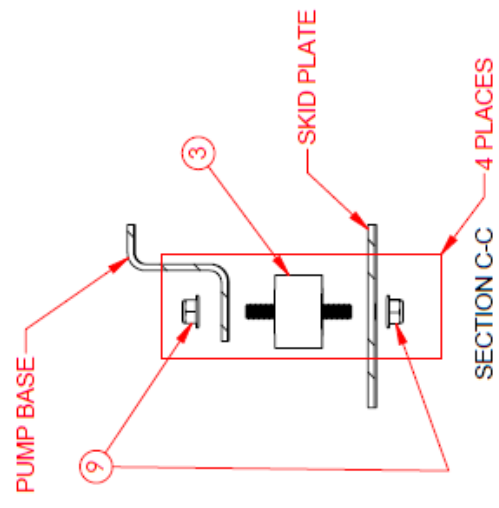
STEP 3 - INSTALL BATTERY TRAY STOPS



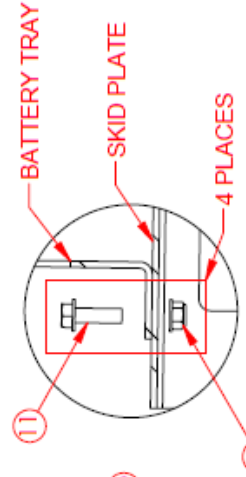
STEP 2 - BOLT PUMP TO SKID PLATE



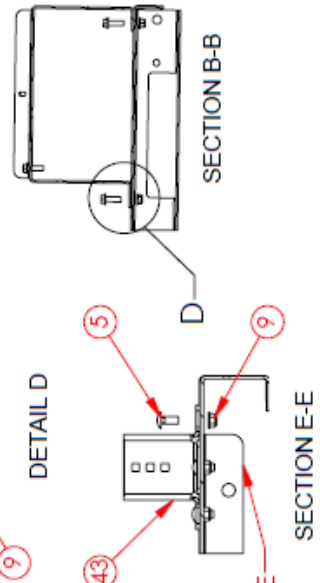
STEP 4 - INSTALL BATTERY TRAY AND STANDOFF W/ SKID PLUMBING



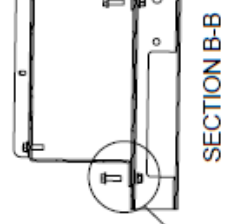
SECTION C-C



DETAIL D

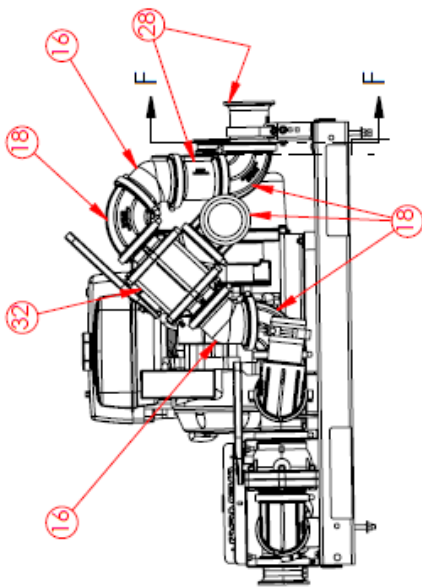


SECTION E-E

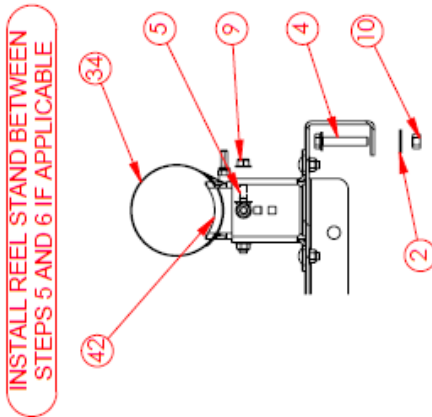


SECTION B-B

***See part number callout on pages 15-16.**

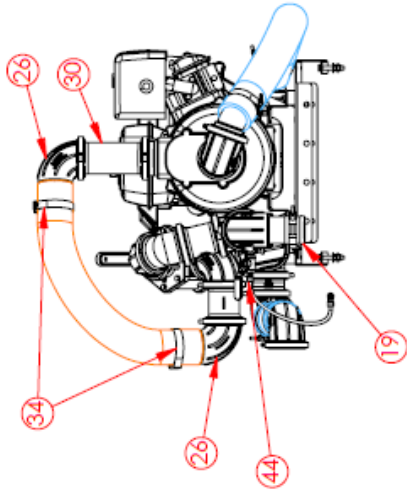


STEP 5 - BOLT SKID TO DECK & INSTALL DISCHARGE FITTINGS

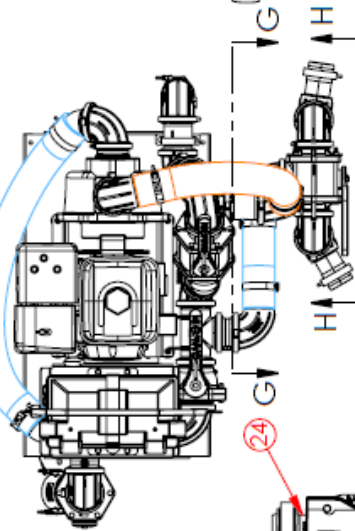


INSTALL REEL STAND BETWEEN STEPS 5 AND 6 IF APPLICABLE

SECTION F-F



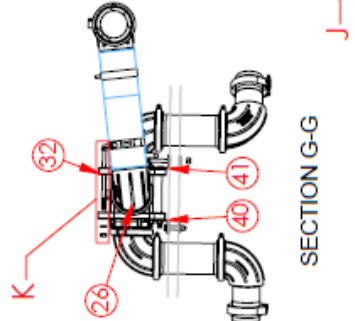
STEP 6 - INSTALL PLUMBING TO INLET AND OUTLET OF PUMP AS SHOWN



SECTION P-P

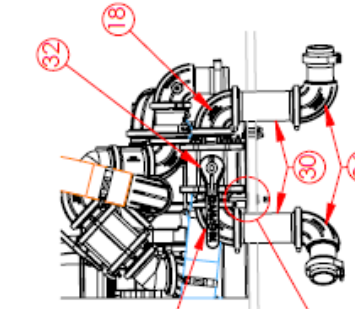
LOOP ONE END OF LANYARD THROUGH RING, LOOP THE OTHER THROUGH FLANGE CLAMP

STEP 7 - INSTALL FILL PORT



SECTION G-G

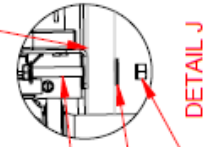
STEP 8 - INSTALL 3-WAY MANIFOLD PORT



SECTION H-H

HARDWARE COMES W/ 3 WAY PORT MANIFOLD. TORQUE TO 60 IN-LBS

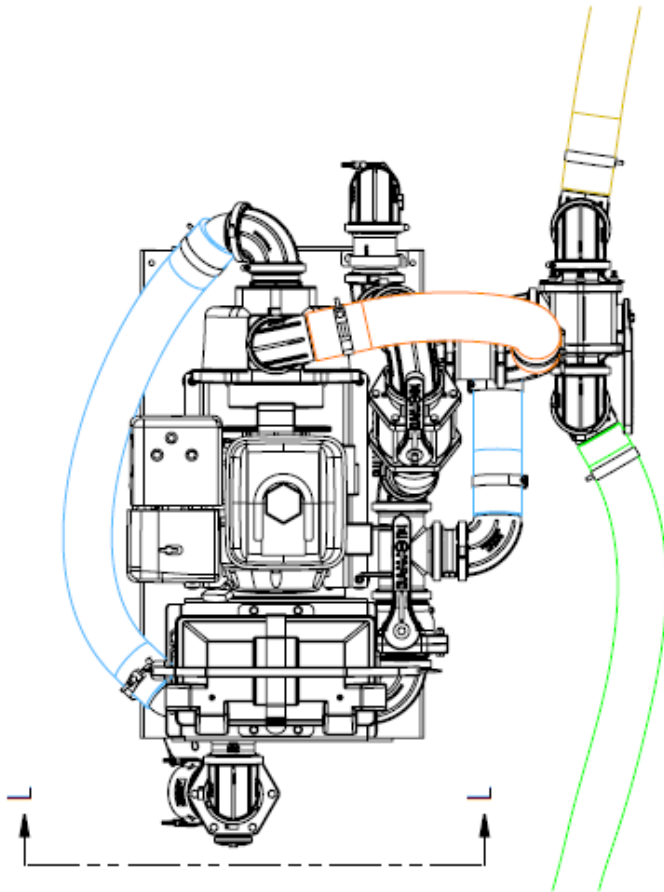
SECURE THROUGH APITONG BOARD



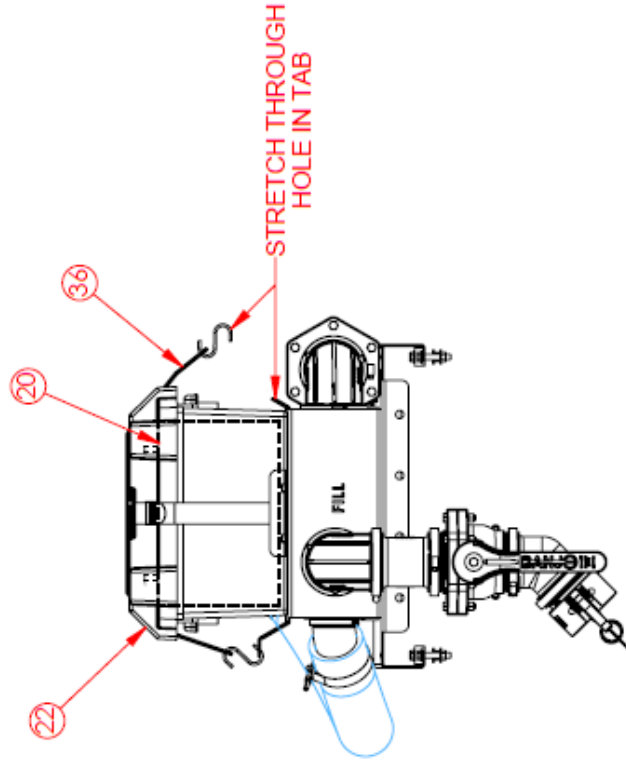
DETAIL J



DETAIL K



STEP 9 - INSTALL BATTERY W/ WIRING



SECTION L-L

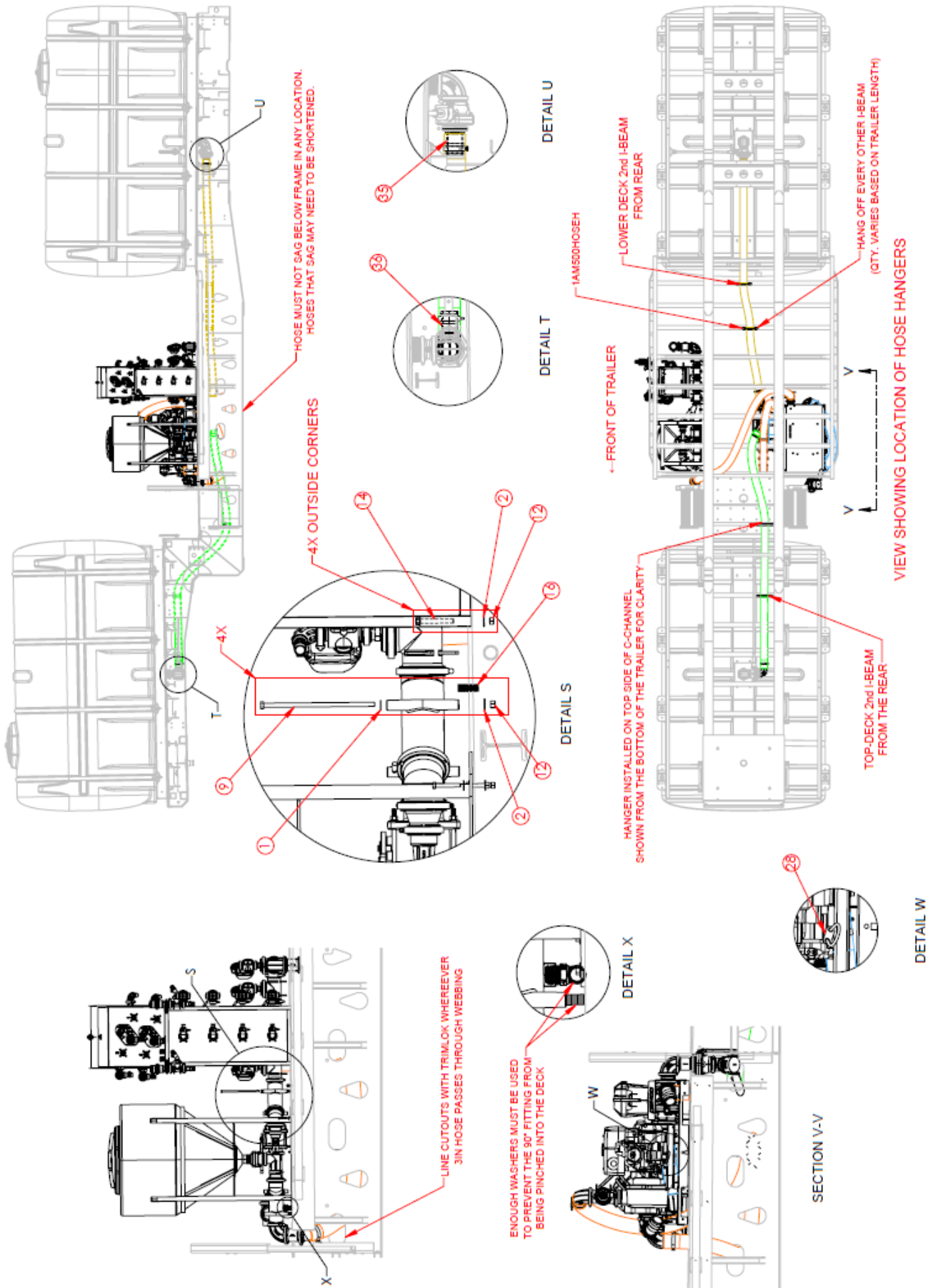
*See part number callout on pages 15-16.

BOM ID	Qty	Item No	Description
1	18	1AF009E0000	FLAT WASHER, 5/16"
2	16	1AF009F0000	FLAT WASHER, 3/8"
3	4	1AF055TUD00	PLASTIC PLUG, 1-7/8", TAPERED RED LPE
4	4	1AF9213K112	VIBRATION ISOLATOR MOUNT, 1-9/16" OD X 1" TALL, 5/16" STUDS, NEOPRENE, 180 LB
5	8	1AFBP3685	BOLT, FLING HEAD, 3/8"-16 X 2, GR8, Y-ZINC PLATED
6	12	1AFC04EAA00	CARRIAGE BOLT, 5/16"-18 X 3/4", GR5 ZINC
7	6	1AFC04EBA05	CARRIAGE BOLT, 5/16"-18 X 2", GR5 ZINC
8	4	1AFC12EBA05	HEX BOLT, 5/16"-18 X 2-1/4", GR5 ZINC
9	4	1AFC12FKAF5	HEX BOLT, 3/8"-16 X 10", GR5 ZINC
10	10	1AFC18E0000	NYLOCK NUT, 5/16"-18, GR2 ZINC
11	28	1AFC18E0005	NYLOCK NUT, 5/16"-18, GR5, ZINC, FLANGED
12	16	1AFC18F0000	NYLOCK NUT, 3/8"-16, GR2 ZINC
13	8	1AFC37EAA05	HEX FLANGE BOLT, 5/16"-18 X 1", GR5 ZINC, SERRATED
14	4	1AFC37FCA08	HEX FLANGE BOLT, 3/8"-16 X 3", GR8 YELLOW ZINC
15	1	1AFU76CA116	1/16" DIAMETER 14" LONG WIRE ROPE LANYARD-STAINLESS STEEL
16	52	1AFV09N0000	3/8" ID X 5/8" OD NYLON WASHER-BLACK
17	4	1AM003KF125	1-1/4" SUCTION/DISCHARGE HOSE, 100' SPOOL
18	1	1AM0335013H	JOHN BLUE CAST IRON WET SEAL PUMP ASSY, 13HP, 400GPM
19	1	1AM10012590	1" MNPT X 1-1/4" 90 HOSE BARB
20	4	1AM100F0000	1" CAM LOCK MALE ADAPTER X 1" NPT MALE
21	1	1AM100G0000	1" & 1-1/4" EPDM FLANGE GASKET
22	3	1AM300BRB45	3" FLANGE X 3" HOSE BARB 45 DEGREE
23	3	1AM300CPG45	3" X 3" FLANGED 45 DEGREE ELBOW
24	50	1AM300G0000	3" EPDM FLANGE GASKET
25	13	1AM300SWP90	3" X 3" MANIFOLD FLANGE SWEEP
26	1	1AM300SWPG9	3" HOSE BARB X 3" MANIFOLD FLANGE SWEEP W/ 1/4" GAUGE PORT
27	1	1AM31G950T0	12V GROUP 31 BATTERY, TOP STUD, DEEP CYCLE
28	1	1AM500HON10	OIL DRAIN KIT, 8-13HP HONDA
29	1	1AM303E1200	FASTBATCH DI, 3" MANIFOLD, 12 VOLT, EPDM SEALS
30	1	1AMBATBOX27	12V BATTERY BOX, DEKA GROUP 27

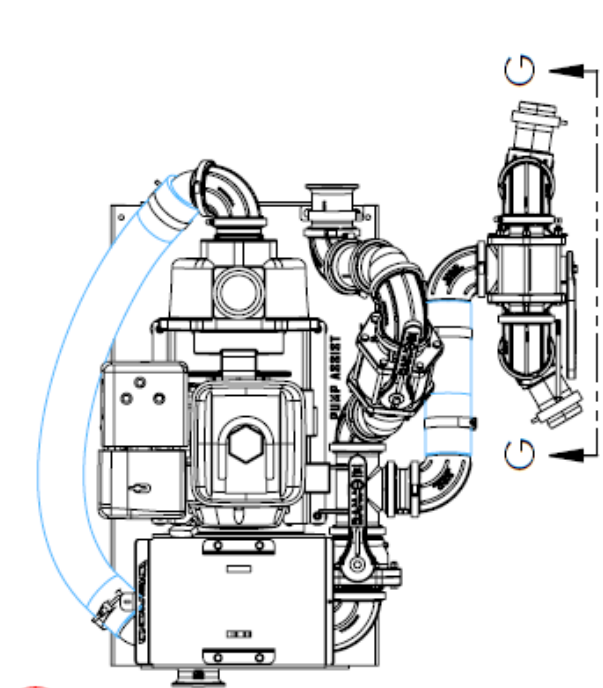
*Continued on next page.

BOM ID	Qty	Item No	Description
31	1	1AMBRBSWP90	1-1/4" HOSE BARB X 1" MANIFOLD FLANGE SWEEP
32	1	1AMFC100000	1" WORM SCREW CLAMP
33	50	1AMFC300000	3" WORM SCREW CLAMP
34	1	1AMM300A000	3" MALE CAM LOCK X 3" MANIFOLD
35	1	1AMM300BRB0	3" FLANGE X 3" HOSE BARB STRAIGHT
36	7	1AMM300BS90	3" HOSE BARB X 3" MANIFOLD FLANGE SWEEP
37	1	1AMM300CAPO	3" CAM LOCK CAP
38	6	1AMM300CPG0	3" X 3" MANIFOLD COUPLING, 4" LENGTH
39	3	1AMM300CPG2	3" MANIFOLD COUPLING, 2" LENGTH
40	3	1AMM300CPG7	3" X 3" MANIFOLD COUPLING, 7" LENGTH
41	1	1AMM300PLG1	3" MANIFOLD FLANGE PLUG W/ 1" FNPT
42	3	1AMM300TEE0	3" FLANGED TEE
43	2	1AMMV300BLO	3" FULL PORT MANIFOLD STUBBY 3-WAY VALVE
44	1	1AMRVC160V3-SPEC	SHORT, STANDARD INDUCTOR CONE W/STAINLESS JUG RINSE, REVERSE FLOW, 60 GAL X 3"
45	2	1AMTC162000	1-1/4" T-BOLT CLAMP, 1-5/8" - 1-7/8"
46	15	1AMTC343000	3" T-BOLT HOSE CLAMP, 3 7/16" - 3 3/4"
47	2	1AMVS300CFF	3" FP MANIFOLD STUBBY 2-WAY VALVE
48	1	1AR00056728	TARP STRAP, 24", BLACK RUBBER
49	1	3D000934	LT PLUMBING SKID BASE
50	1	3D000935	LT PLUMBING SKID BATTERY TRAY
51	2	3D000945	LT PLUMBING SKID BATTERY TRAY STOP
52	1	3D000946	LT 3-WAY BL VALVE SIDE MOUNT BRACKET LEFT
53	1	3D000955	LT 3-WAY BL VALVE SIDE MOUNT BRACKET RIGHT
54	2	3D000962	LT FITTING STANDOFF TOP ADJUSTABLE 6-10IN
55	2	3D000963	LT FITTING STANDOFF BOTTOM ADJUSTABLE 6-10IN
56	1	3D000964	LT FITTING STANDOFF TOP ADJUSTABLE 4-6IN
57	1	3D000965	LT FITTING STANDOFF BOTTOM ADJUSTABLE 4-6IN
58	1	4D000096	LT PLUMBING BLOW DOWN KIT
59	4	4D000113	LT TOTE CHEMICAL SUPPLY LINE ASSEMBLY
60	1	4D000114	LT DURA MULTIJET CALIBRATION HOSE ASSEMBLY

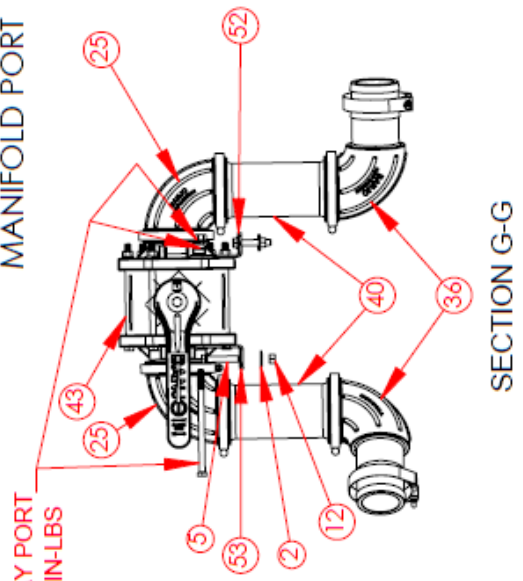
*See print images on next pages.



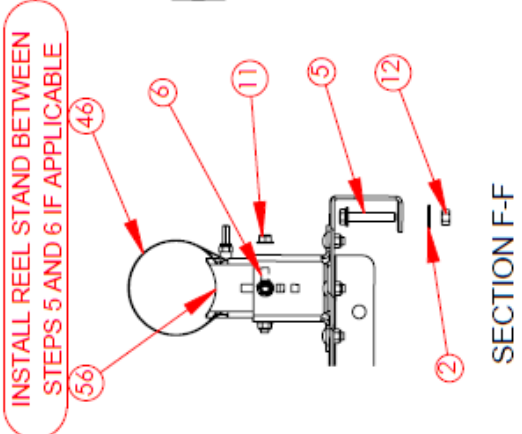
*See part number callout on pages 15-16.



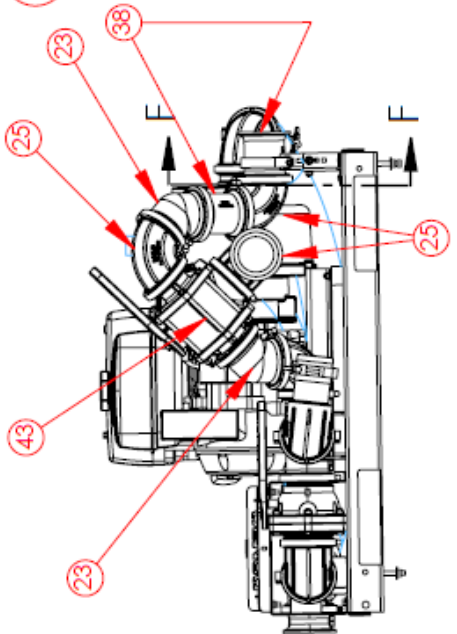
STEP 6 - INSTALL 3-WAY MANIFOLD PORT



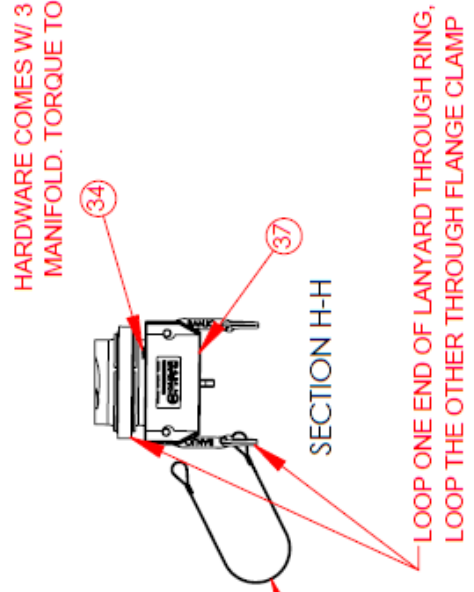
SECTION G-G



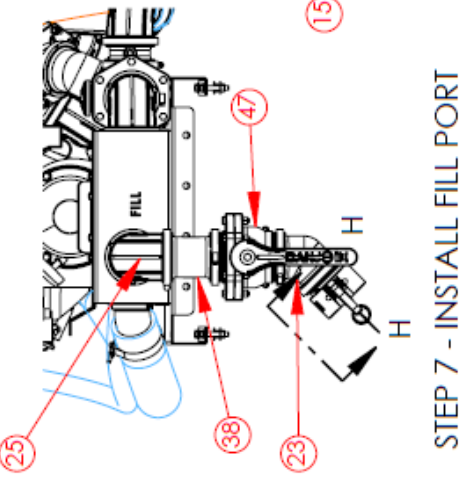
SECTION F-F



STEP 5 - BOLT SKID TO DECK & INSTALL DISCHARGE FITTINGS

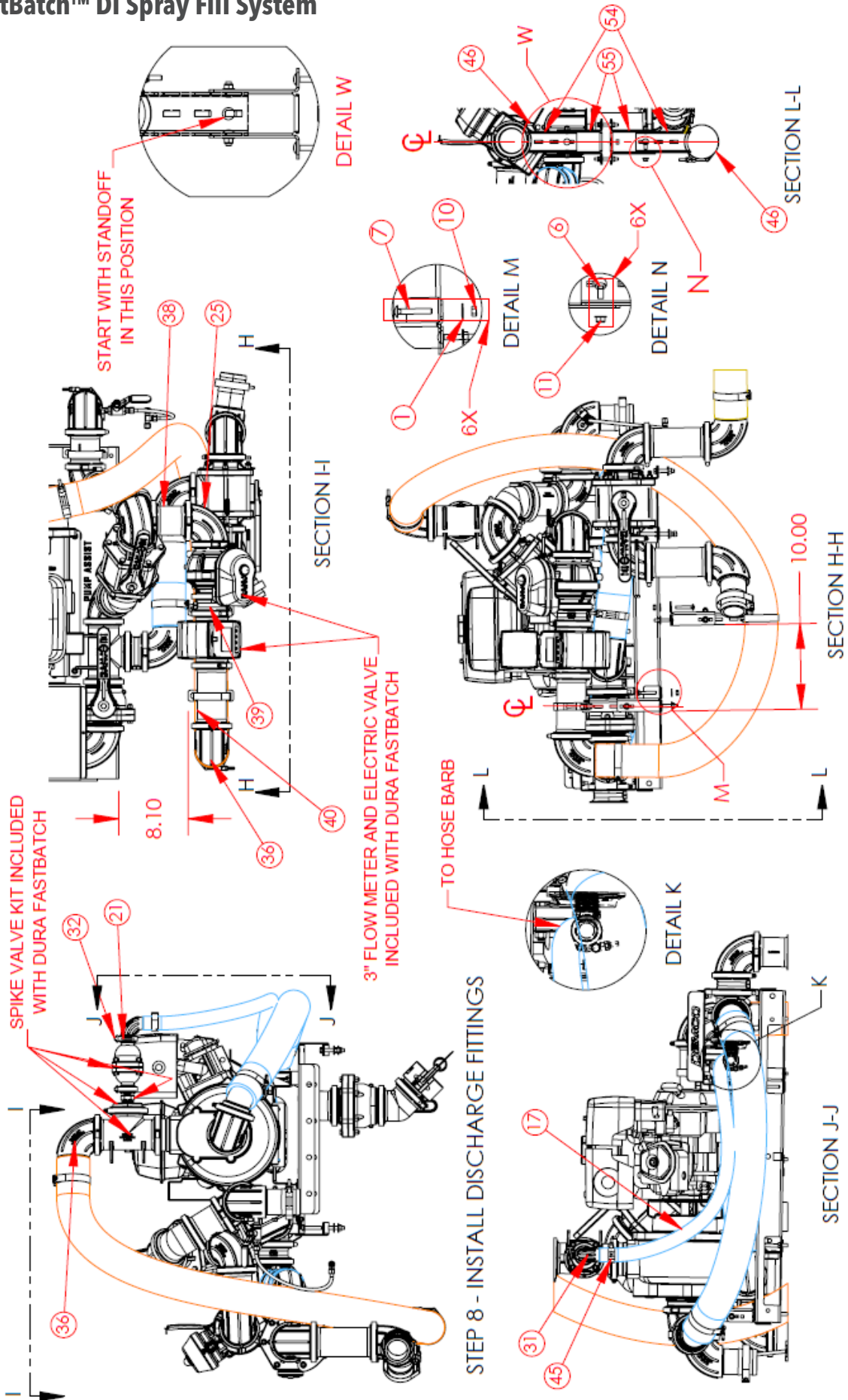


SECTION H-H

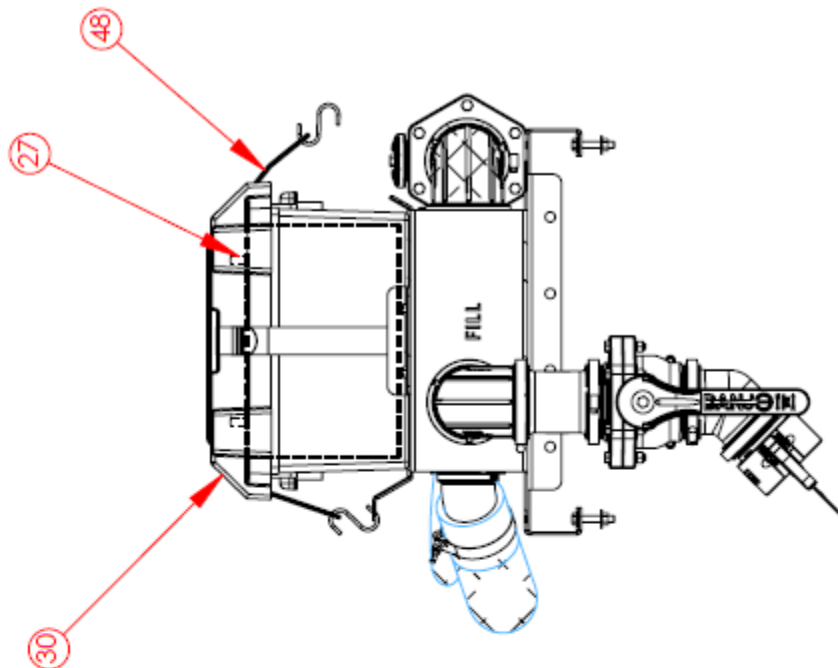


STEP 7 - INSTALL FILL PORT

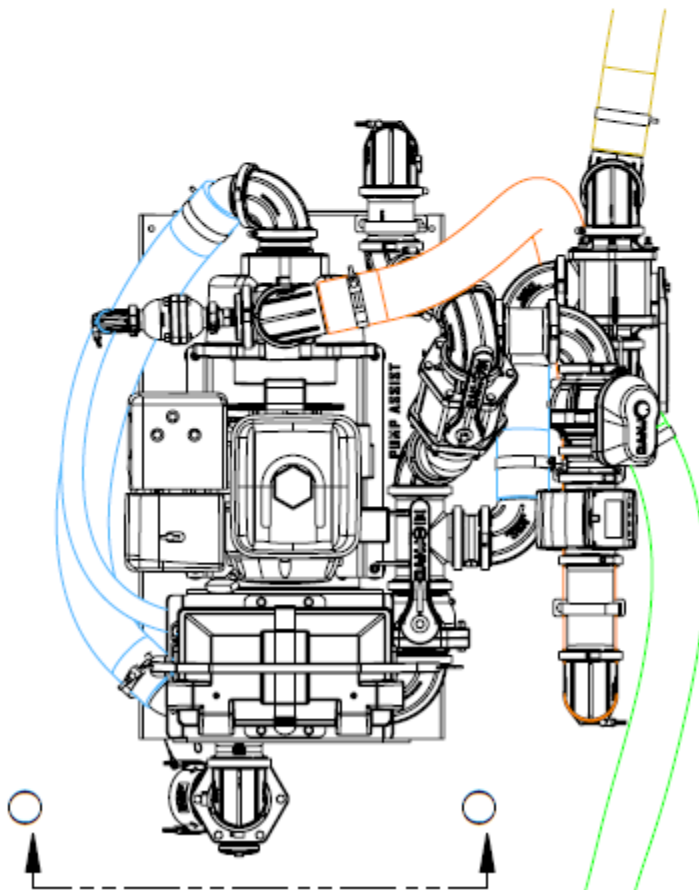
*See part number callout on pages 15-16.



*See part number callout on pages 15-16.

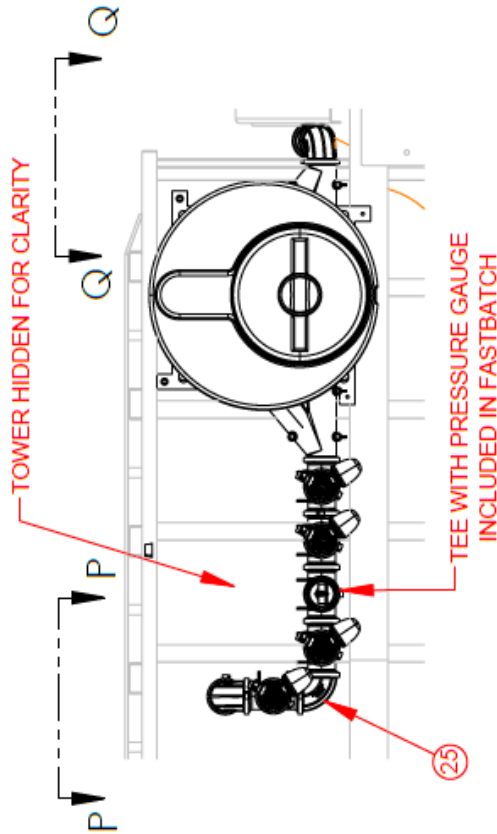


SECTION O-O

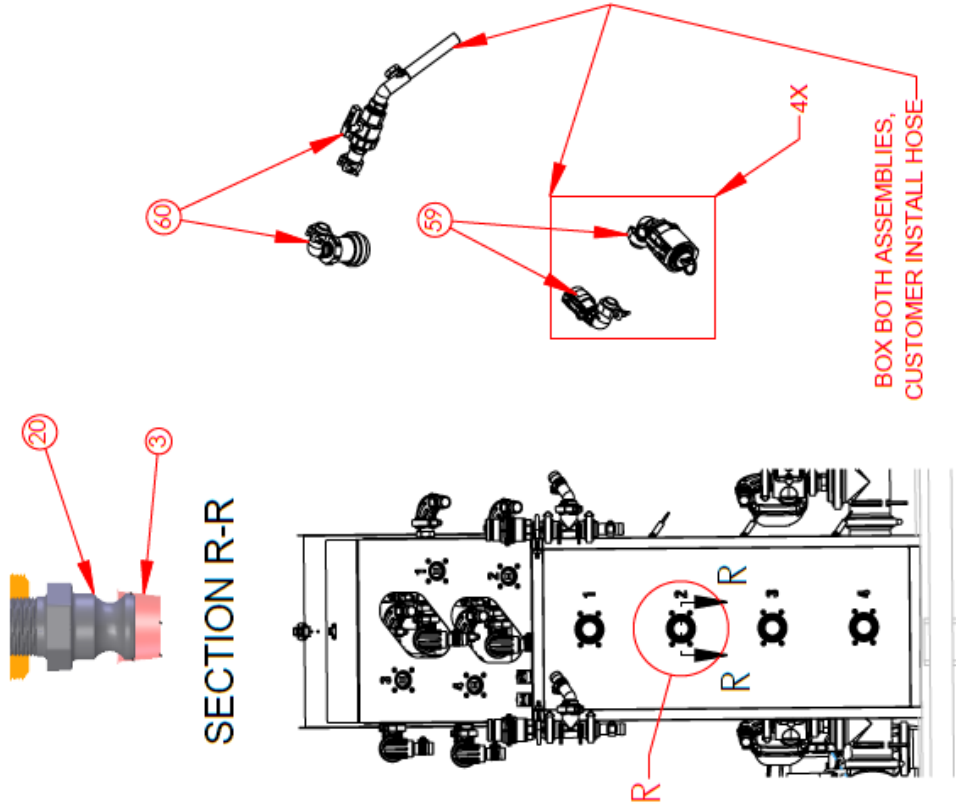
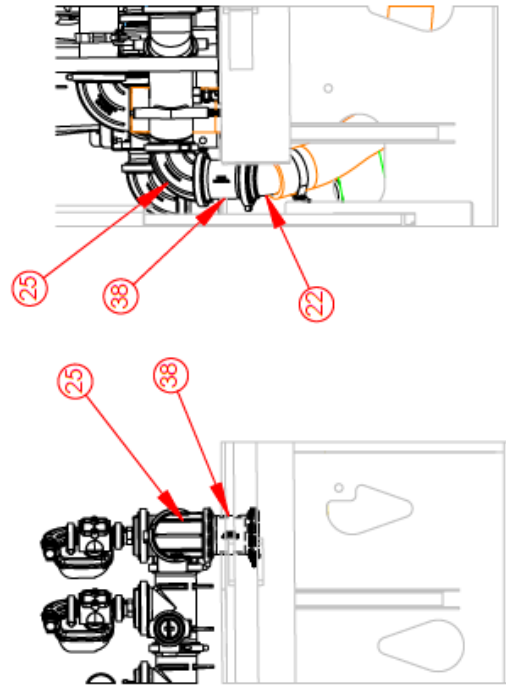


STEP 9 - INSTALL BATTERY W/ WIRING

*See part number callout on pages 15-16.



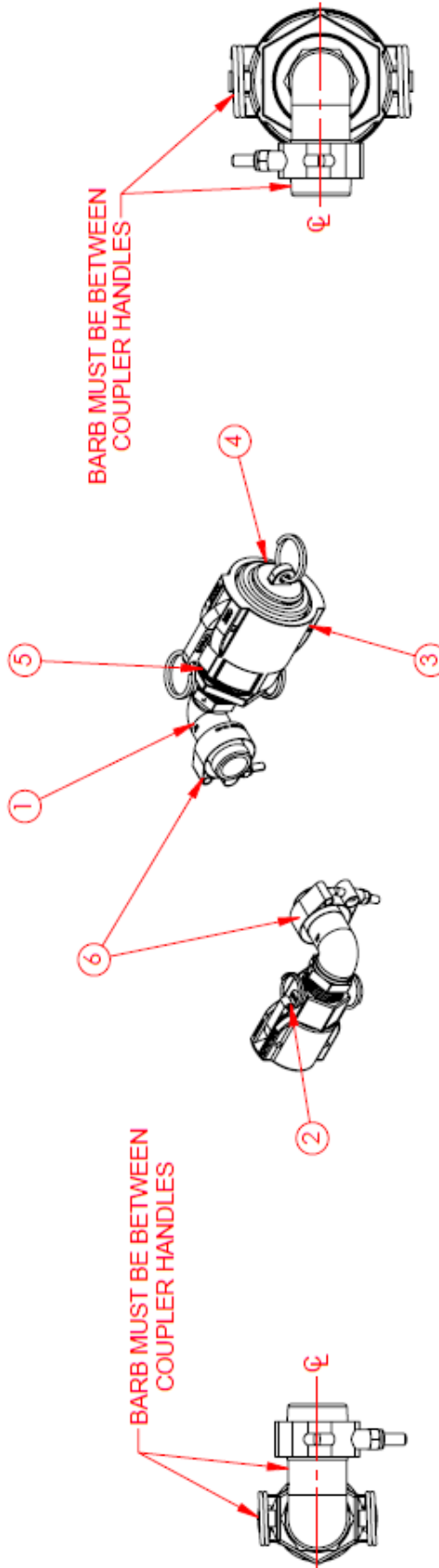
STEP 10 - INSTALL CONE AND FASTBATCH TOWER



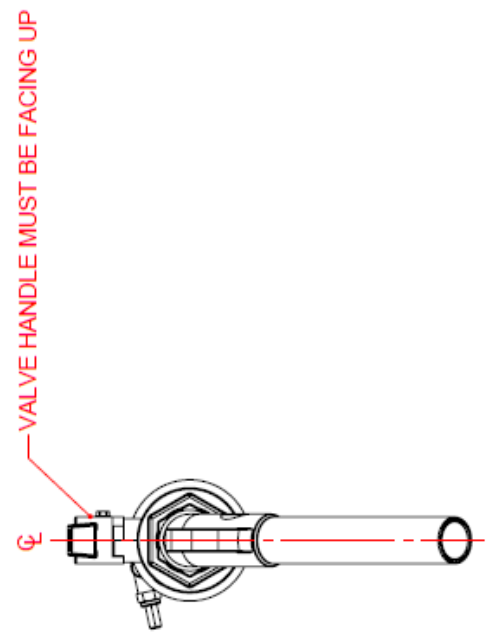
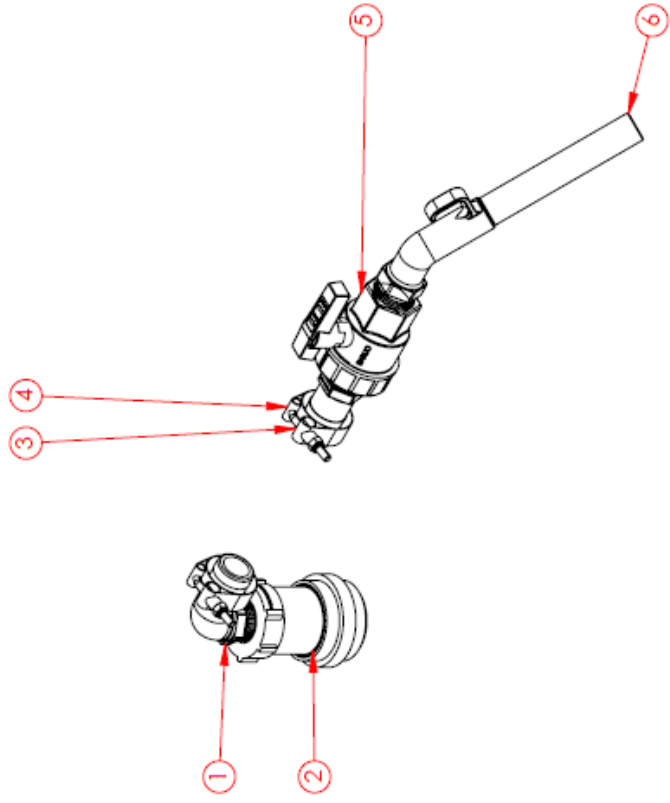
STEP 11 - INSTALL TOWER INLET FITTINGS AND ASSEMBLE HOSE ENDS

*See part number callout on pages 15-16.

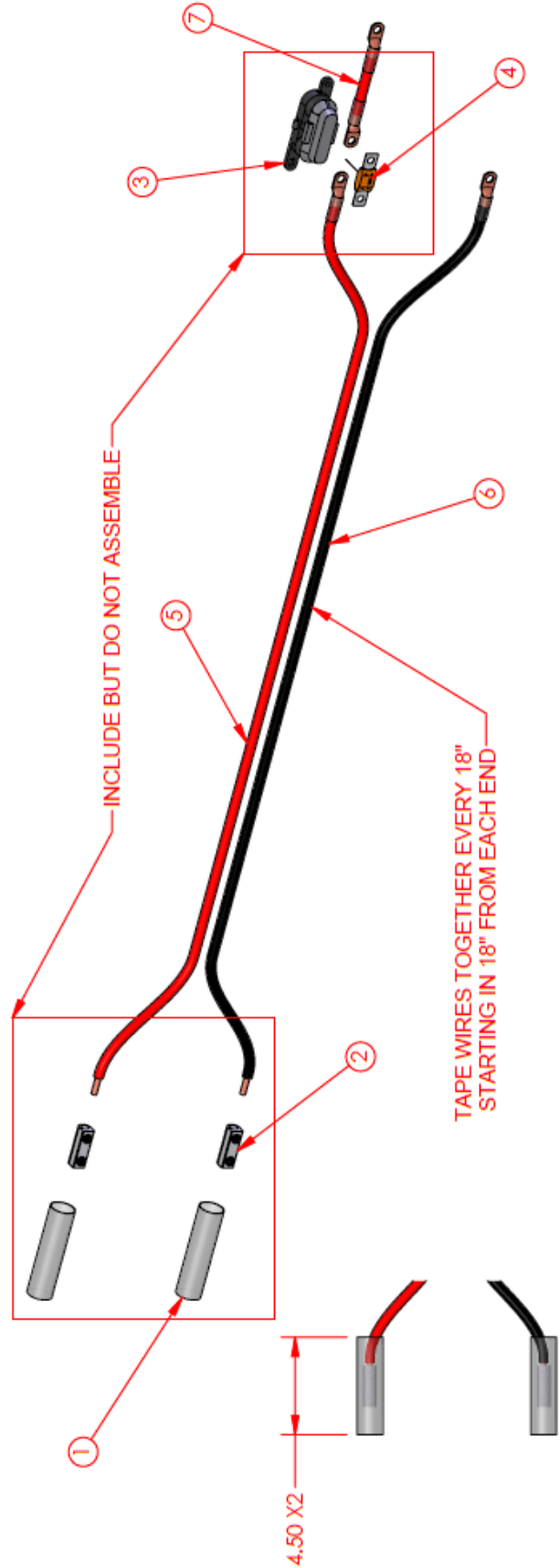
BOM ID	Qty	Item No	Description
1	2	1AM10012590	1" MNPT X 1-1/4" 90 HOSE BARB
2	1	1AM100D0000	1" CAM LOCK COUPLER X 1" FNPT
3	1	1AM200D0000	2" CAM LOCK COUPLER X 2" FNPT
4	1	1AM200PL000	2" CAM LOCK POLY PLUG
5	1	1AMRB200100	2" MNPT REDUCER BUSHING X 1" FNPT, BANJO
6	2	1AMTC162000	1-1/4" T-BOLT CLAMP, 1-5/8" - 1-7/8"



BOM ID	Qty	Item No	Description
1	1	1AM10012590	1" MNPT X 1-1/4" 90 HOSE BARB
2	1	1AMDPCF1000	1" FNPT DRY POPPET COUPLER
3	1	1AMHB100125	1" MNPT X 1-1/4" HOSE BARB
4	2	1AMTC162000	1-1/4" T-BOLT CLAMP, 1-5/8" - 1-7/8"
5	1	1AMUV100FPO	1" UNION VALVE
6	1	1AMV1016100	1" POLY NOZZLE PIPE

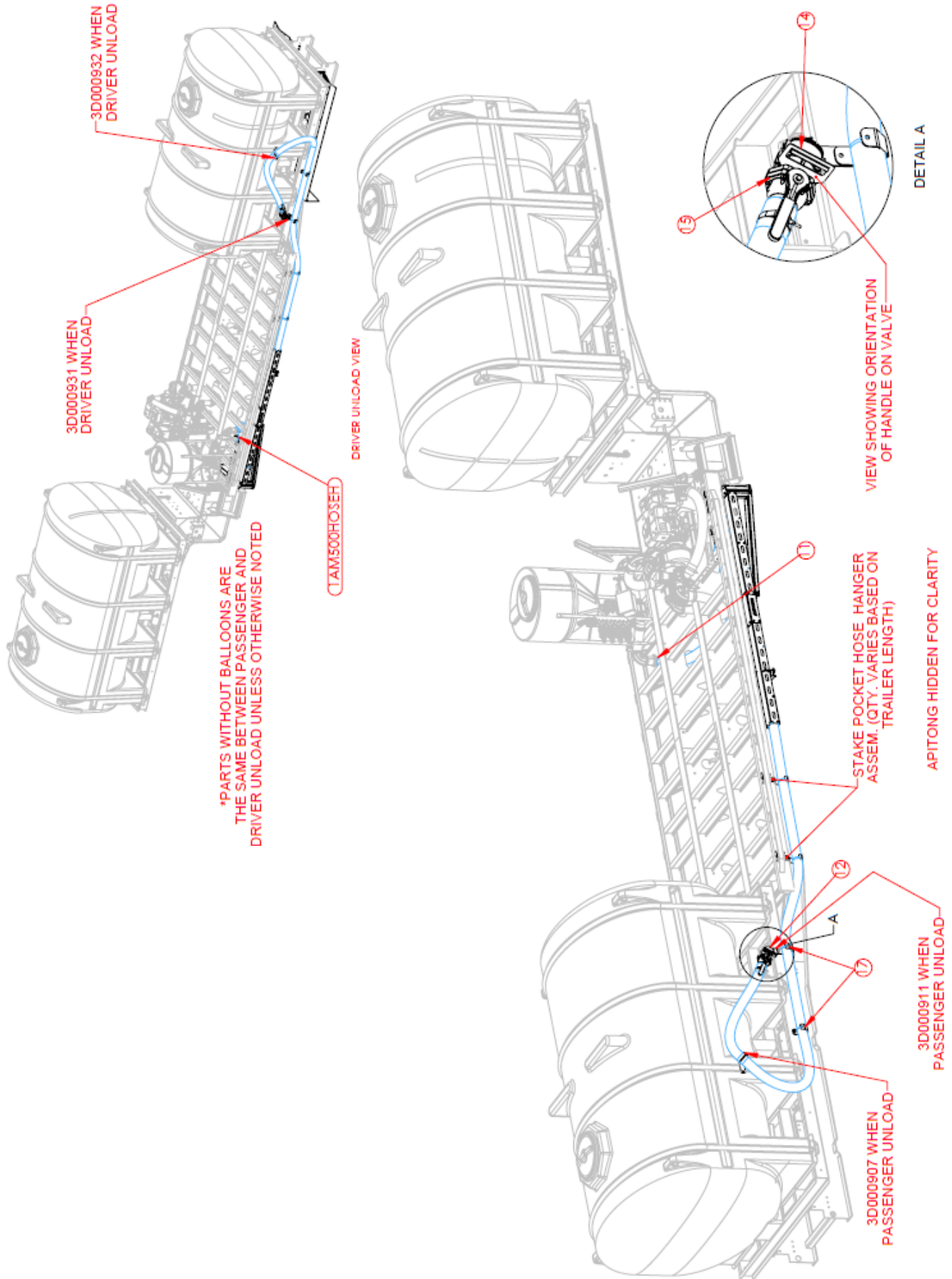


BOM ID	Qty	Item No	Description
1	0.75	1AEA0000000	TUBING HEAT SHRINK THICK WALL 1.1 ADHESIVE LINED
2	2	1AEB8600000	BUTT SPLICE, SET SCREW FOR 2 GAUGE WIRE
3	1	1AEE0046039	HI-AMP FUSE HOLDER W/COVER, 300A, 32VDC, BLACK
4	1	1AEE0046272	HI-AMP FUSE, 150A, 70VDC, BOLT-DOWN DESIGN
5	1	4W038002	BATTERY TO DURA MULTIJET TOWER, RED
6	1	4W038003	BATTERY TO DURA MULTIJET TOWER, BLACK
7	1	4W038004	BATTERY TO DURA MULTIJET TOWER, SHORT RED



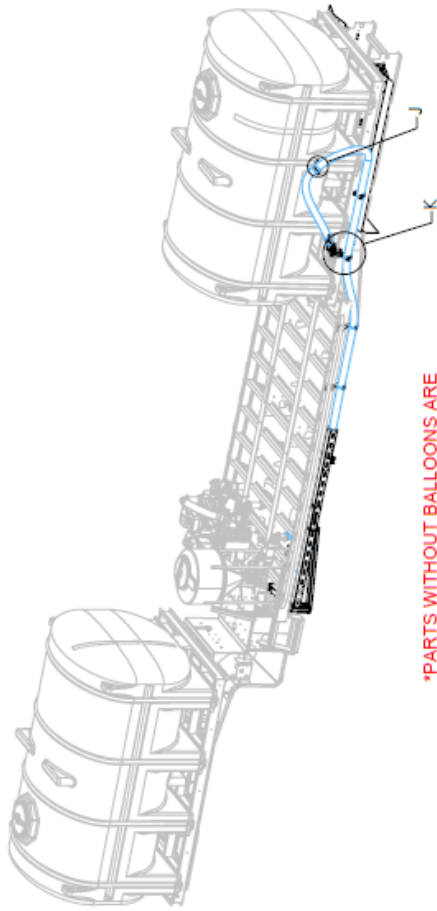
BOM ID	Qty	Item No	Description
1	3	1AF009F0000	FLAT WASHER, 3/8" ZINC
2	1	1AF009H0000	FLAT WASHER, 1/2"
3	1	1AFBP3118	HEX CAP SCREW, 3/8"-16 X 5, GRD 5, ZINC PLTD
4	2	1AFC08E0000	FLANGE NUT, 5/16"-18, GR CASE HARDENED. ZINC, SERRATED
5	1	1AFC08F0000	FLANGE NUT, 3/8"-16, GR CASE HARDENED, ZINC, SERRATED
6	3	1AFC12FAAH0	HEX BOLT, 3/8"-16 X 1-1/2", GR5 ZINC
7	1	1AFC12HAAD5	HEX BOLT, 1/2"-13 X 1-1/4", GR5 ZINC
8	4	1AFC18F0000	NYLOCK NUT, 3/8"-16, GR2 ZINC
9	1	1AFC18H0000	NYLOCK NUT, 1/2"-13, GR2 ZINC
10	2	1AFC37EAAD5	HEX FLANGE BOLT, 5/16"-18 X 1-1/4", GR5 ZINC, SERRATED
11	1	1AM300BRB45	3" FLANGE X 3" HOSE BARB 45 DEGREE
12	1	1AM300PL000	3" CAM LOCK POLY PLUG
13	2	1AMTC343000	3" T-BOLT HOSE CLAMP, 3-7/16" - 3-3/4"
14	1	1AMV2527200	VALVE LIFT HANDLE, STAINLESS STEEL
15	1	1AMVSHBD300	3" STUBBY VALVE, 3" HOSE BARB X 3" FEMALE CAM
16	1	1AUT1366400	LADDER CLIP
17	2	3D0000908	BOLT ON HOSE HANGER

*See print image on next page.

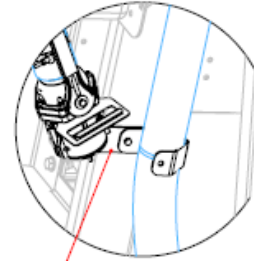
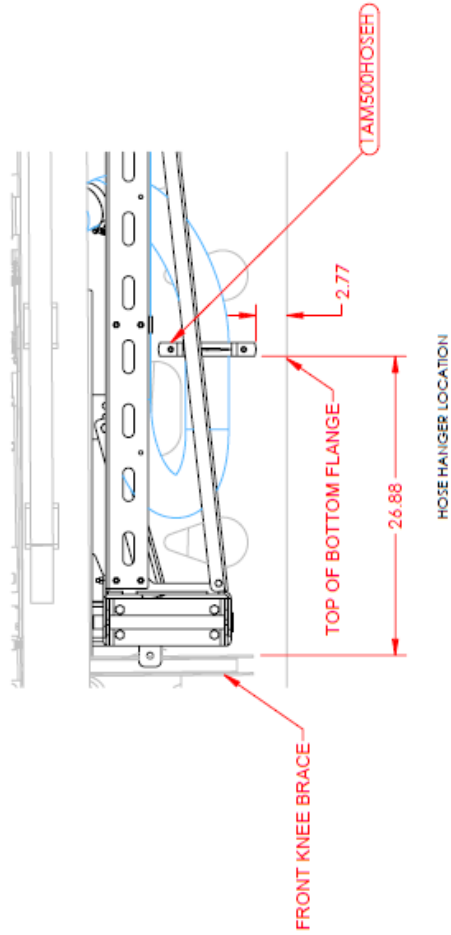


***See part number callout on previous**

42', 48' & 53' DRIVER UNLOAD

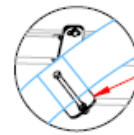


*PARTS WITHOUT BALLOONS ARE THE SAME BETWEEN PASSENGER AND DRIVER UNLOAD UNLESS OTHERWISE NOTED



3D000931 WHEN DRIVER UNLOAD

DETAIL K

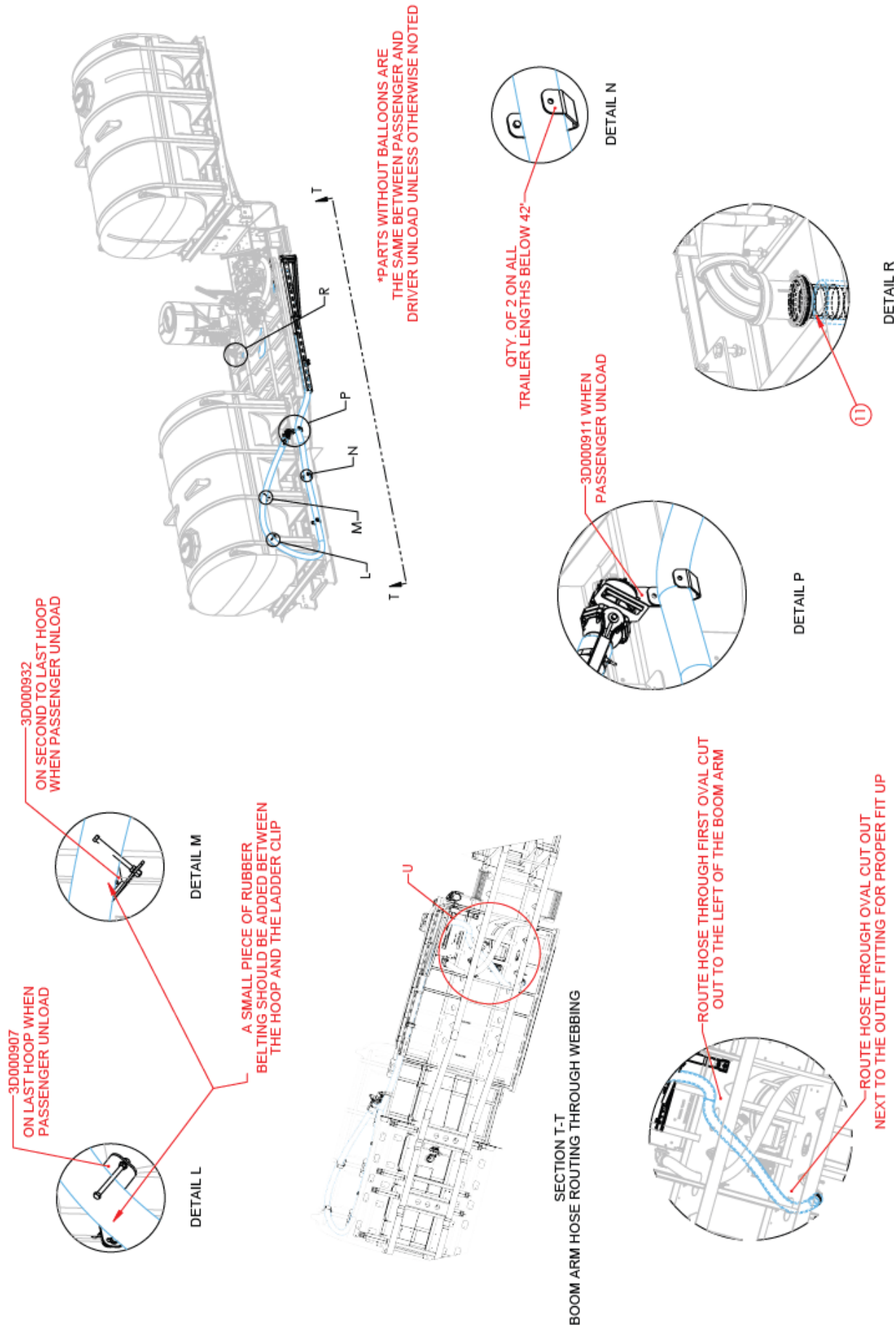


3D000932 WHEN DRIVER UNLOAD

DETAIL J

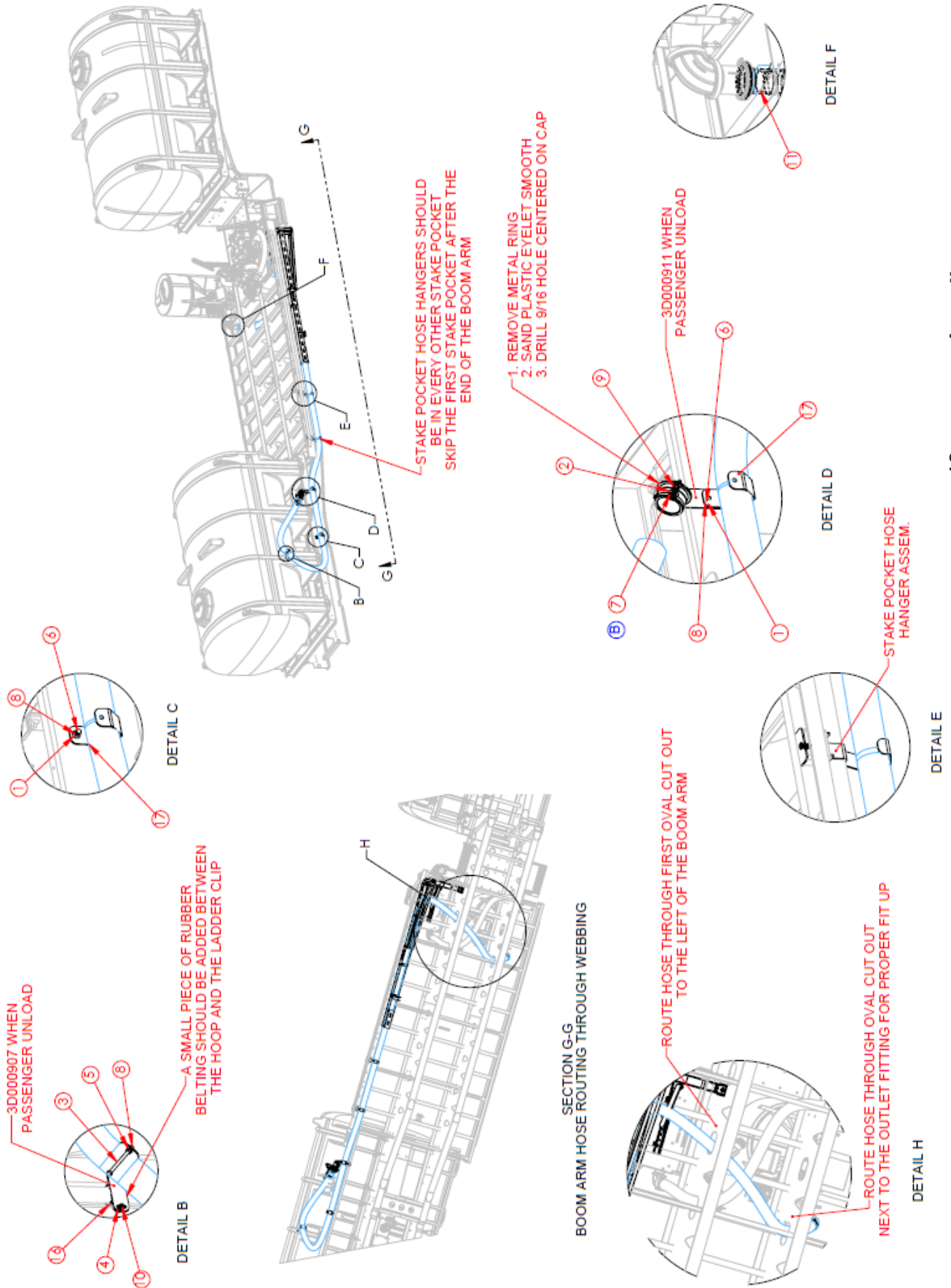
***See part number callout on page 12.**

36', 38' & 40' PASSENGER UNLOAD



***See part number callout on page 12.**

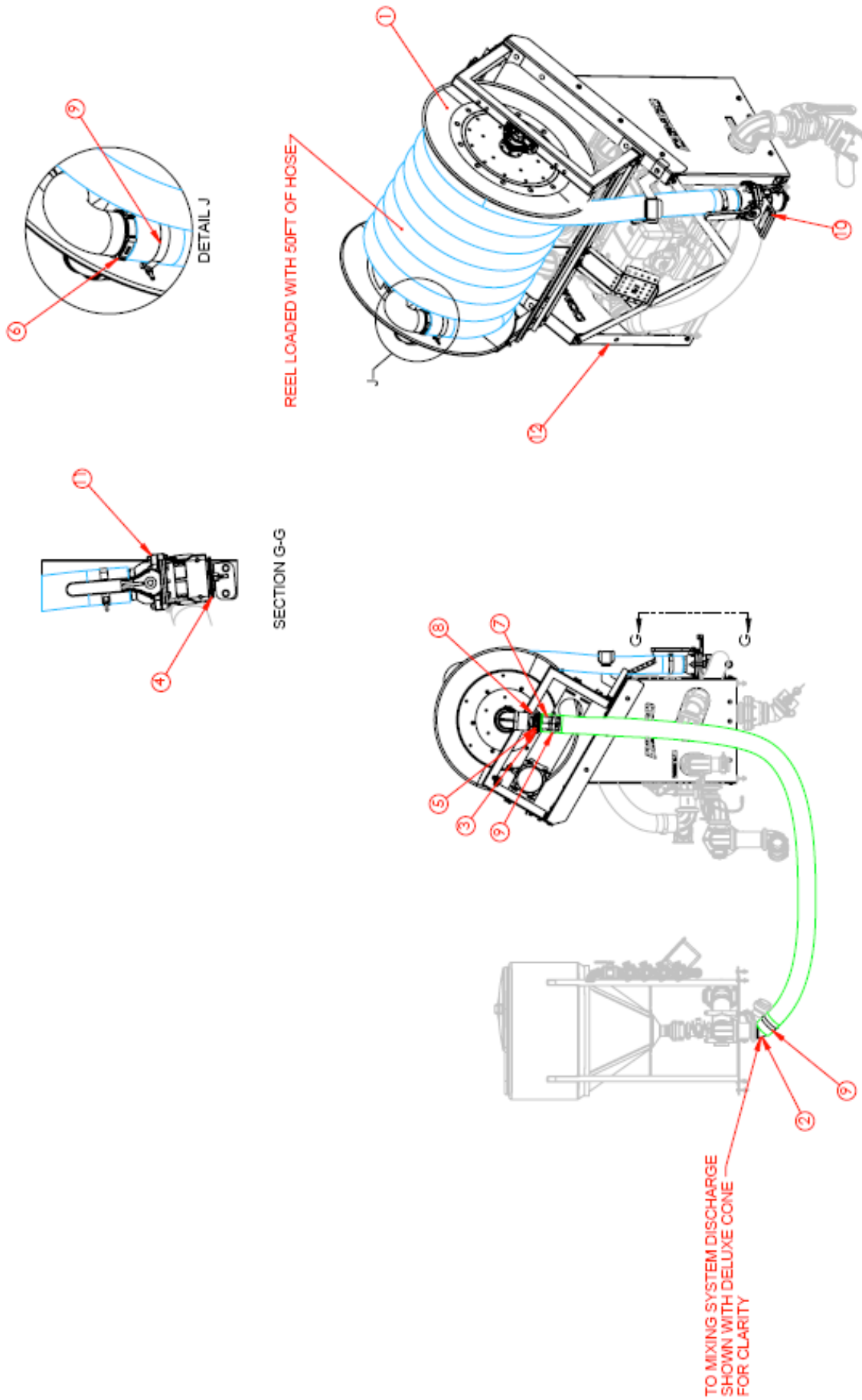
42', 48' & 53' PASSENGER UNLOAD



***See part number callout on page 12.**

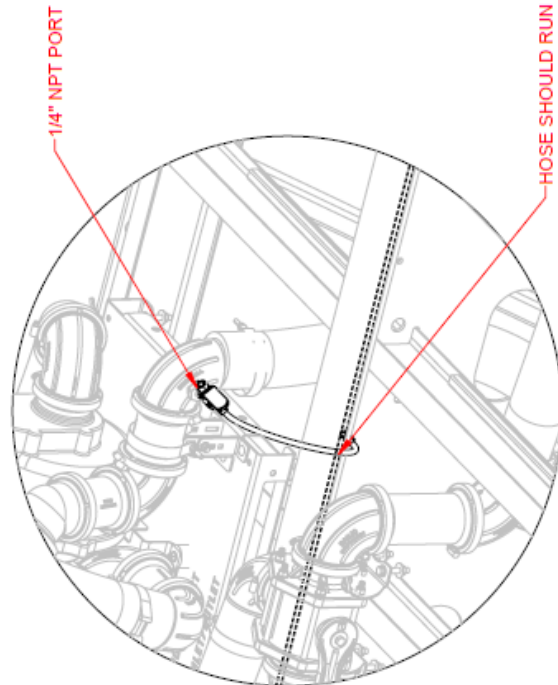
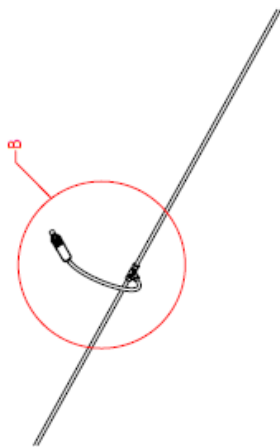
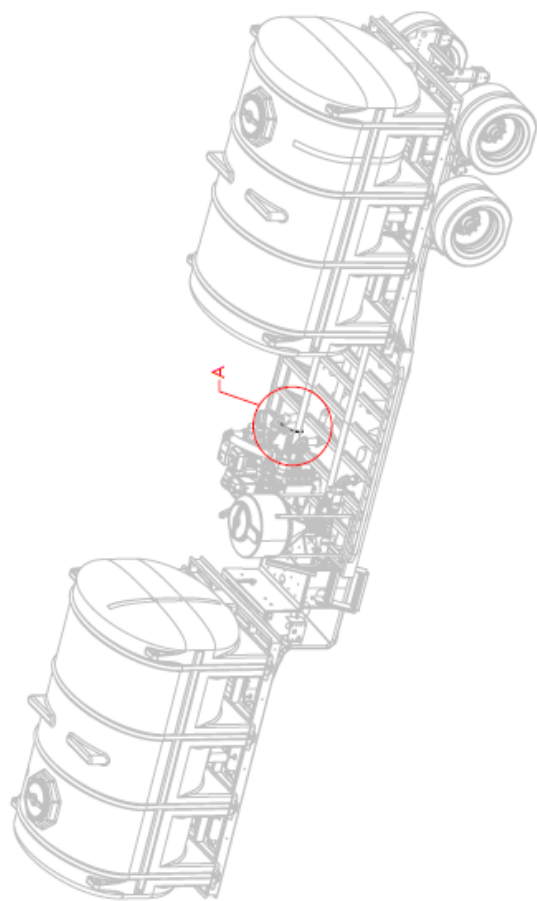
BOM ID	Qty	Item No	Description
1	1	1AM00EP9346	HOSE REEL, 3" 12VOLT 50', HANNAY
2	1	1AM300BRB45	3" FLANGE X 3" HOSE BARB 45 DEGREE
3	1	1AM300G0000	3" EPDM FLANGE GASKET
4	1	1AM300PL000	3" CAM LOCK POLY PLUG
5	1	1AMFC300000	3" FLANGE CLAMP
6	1	1AMHB300000	3" MALE THREAD X 3" HOSE BARB
7	1	1AMM300BRB0	3" FLANGE X 3" HOSE BARB STRAIGHT
8	1	1AMM300MPT0	3" MALE MPT TO 3" FLANGE
9	4	1AMTC343000	3" T-BOLT HOSE CLAMP, 3 7/16" - 3 3/4"
10	1	1AMV2527200	VALVE LIFT HANDLE, STAINLESS STEEL
11	1	1AMVSHBD300	3" STUBBY VALVE, 3" HOSE BARB X 3" FEMALE CAM
12	1	5D0000531	LT HOSE REEL STAND ONLY, NO BASE, W/FASTENERS

***See print image on next page.**



*See part number callout on previous page.

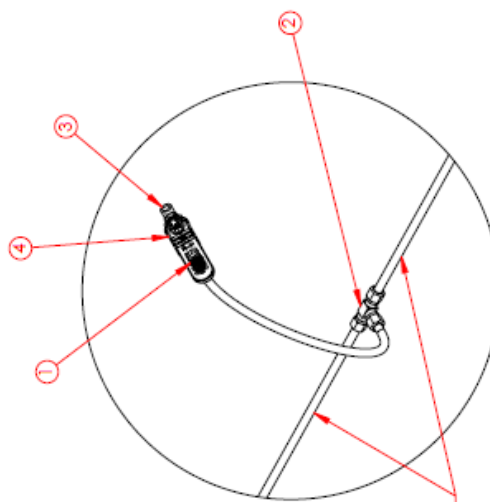
BOM ID	Qty	Item No	Description
1	1	1ABOCS38140	AIR FITTING, STRAIGHT, 3/8" TUBE X 1/4" MNPT MALE CONECTOR 1/4 NPT 3/8" MNPT
2	1	1ABOCT38380	TEE, UNION, 3/8" TUBE
3	1	1ABAP3734	NIPPLE, HEX, 1/4" BRASS, 3325-4
4	1	1AU017V025S	1/4" FULL PORT STAINLESS STEEL LOCKING BALL VALVE



1/4" NPT PORT

HOSE SHOULD RUN THROUGH ITS OWN SEPARATE HOLE IN THE DECK

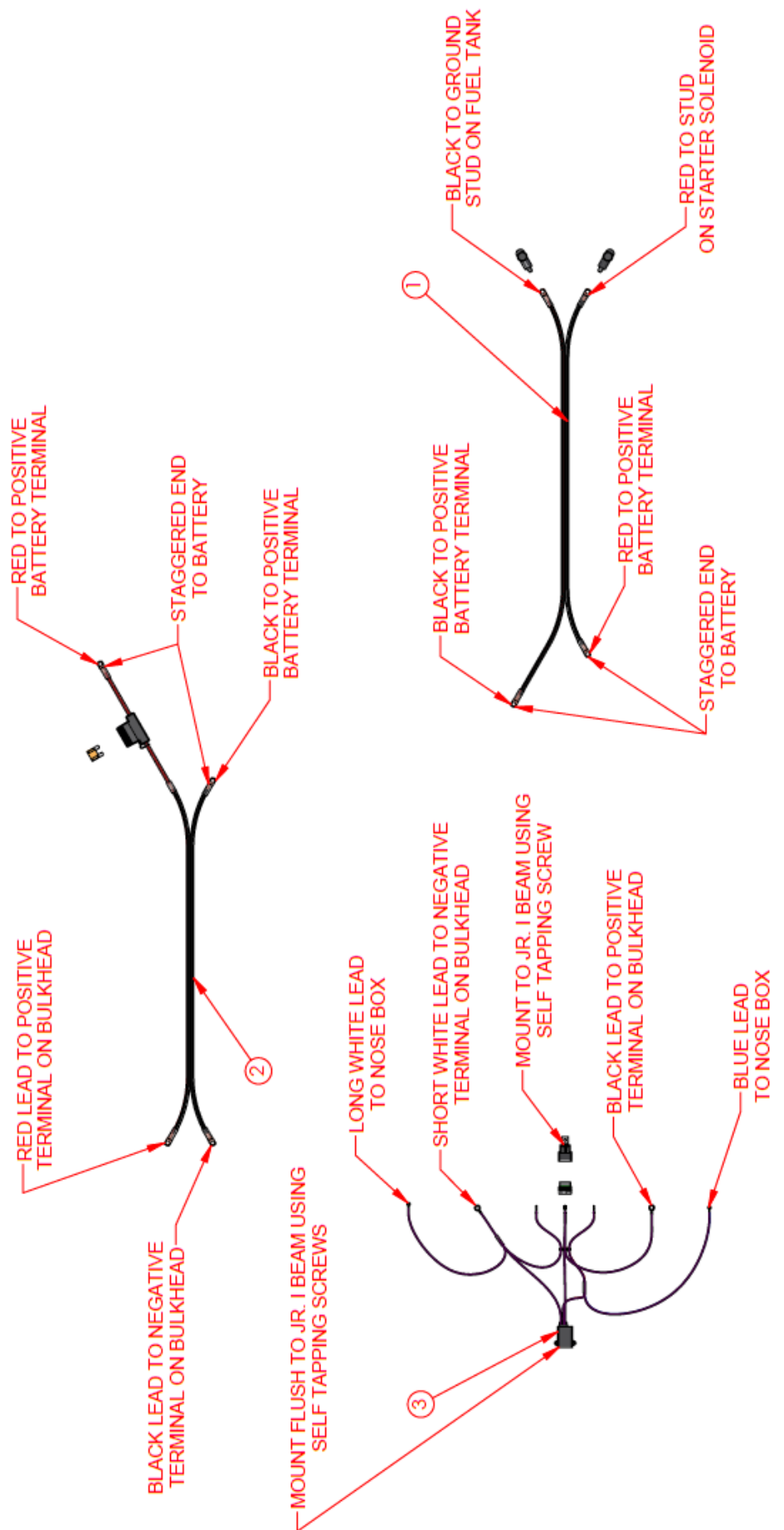
DETAIL A



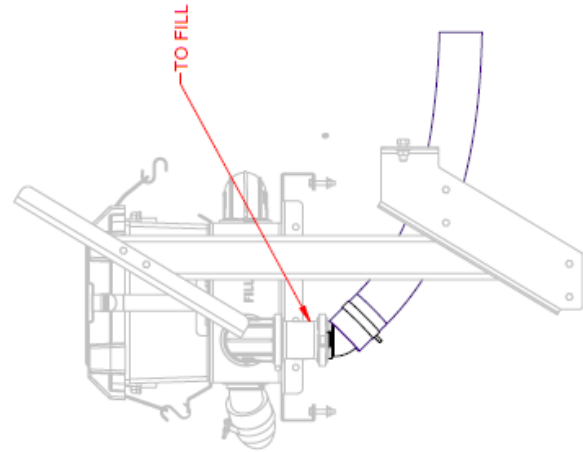
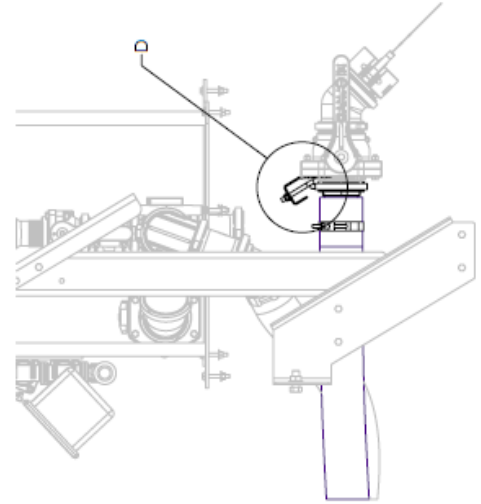
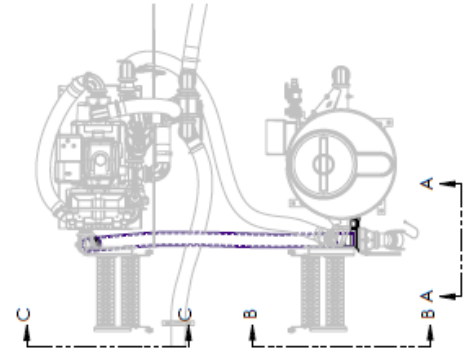
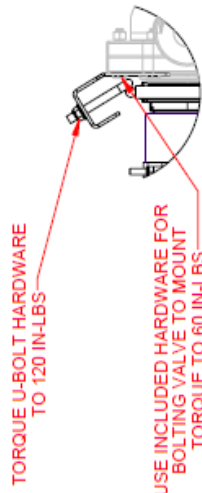
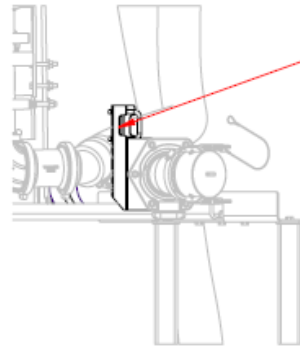
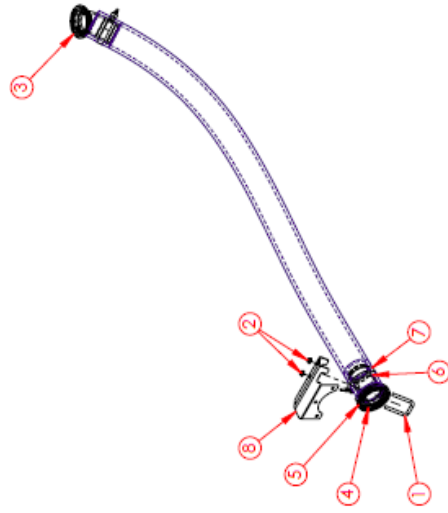
AIR ACCESSORY PACKAGE AIRLINE

DETAIL B

BOM ID	Qty	Item No	Description
1	1	4W038001	BATTERY TO PUMP STARTER
2	1	4W039132	BATTERY TO BULKHEAD TERMINAL - 132"
3	1	5W001100	LT ACC BATTERY CHARGER KIT



BOM ID	Qty	Item No	Description
1	1	02128	U-BOLT, SQ, .375NC X 2.063 X 3.00
2	2	1AFZ08F0005	NUT, .375NC NYLON LOCK
3	1	1AM300BRB45	3" FLANGE X 3" HOSE BARB 45 DEGREE
4	1	1AM300G0000	3" EPDM FLANGE GASKET
5	1	1AMFC300000	3" FLANGE CLAMP
6	1	1AMM300BRB0	3" FLANGE X 3" HOSE BARB STRAIGHT
7	2	1AMTC343000	3" T-BOLT HOSE CLAMP, 3 7/16" - 3 3/4"
8	1	3D0000982	LT FILL VALVE MOUNT



DEMCO

4010 320th St., Boyden, IA. 51234

Phone: (712) 725-2311

Fax: (712) 725-2380

Toll Free: 1-800-54DEMCO (1-800-543-3626)

**Demco warranty policies, operator manuals, and product registration
can be found online:**

www.demco-products.com