



Doing Our Best to Provide You the Best

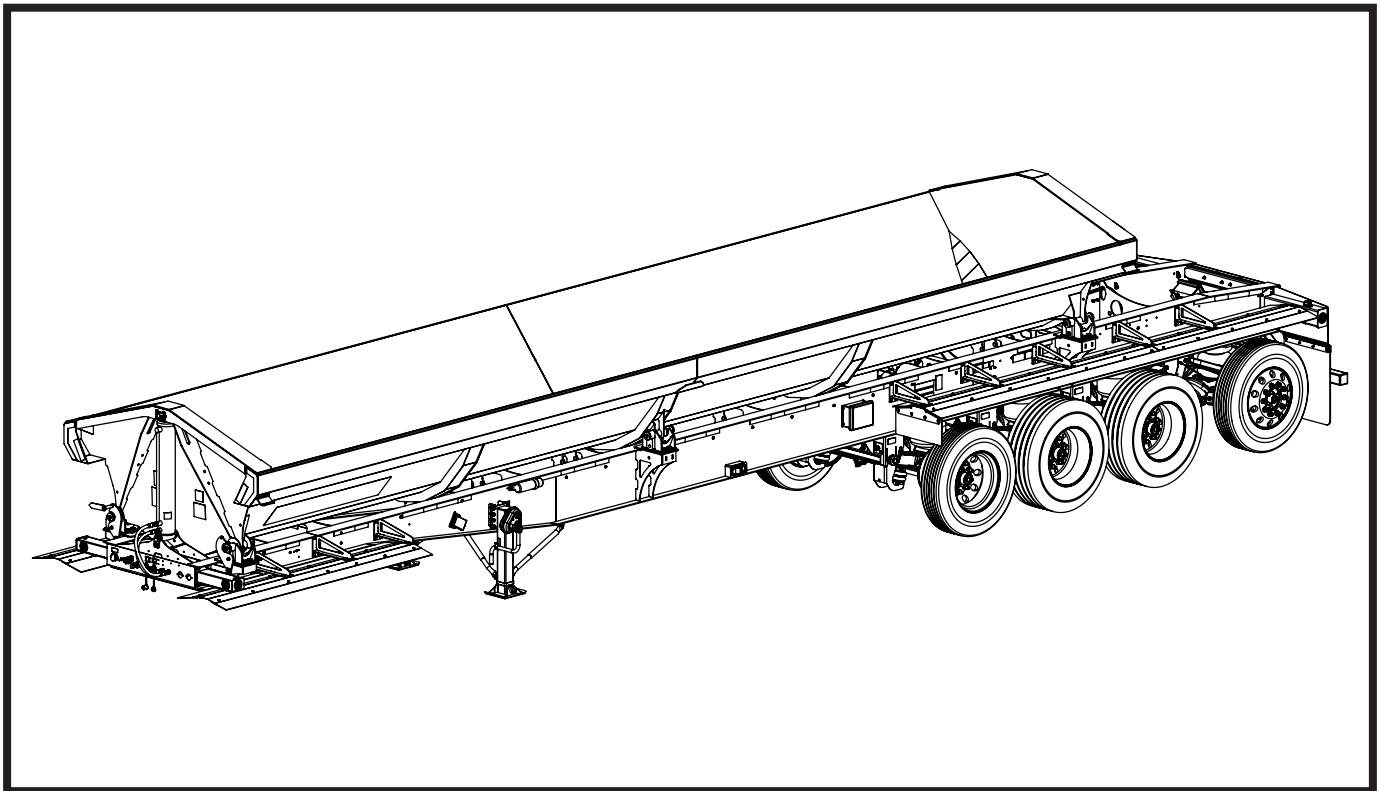
8C010289, Rev. C
01/24

SIDE DUMP

9CR474ARRL3726, 47' Chassis, 37' Tub, Quad Axle Air Ride, Rear Lift

9CR474ARFLRL3726, 47' Chassis, 37' Tub, Quad Axle Air Ride, Front Lift -
Rear Lift

9CR474ARFLRLS3726, 47' Chassis, 37' Tub, Quad Axle Air Ride, Front Lift-
Rear Lift/Steer



OPERATOR MANUAL

Product Disclaimer.....	3
Introduction.....	4
Trailer Information.....	6
Dealer Checklist.....	7
To The Owner.....	8
Safety.....	9
Maintenance Safety.....	13
Bolt Torque Specifications & Requirements.....	14
Safety Decals/Reflectors.....	16
Coupling/Uncoupling.....	18
Operating Instructions.....	24
Maintenance.....	26
Inspection and Maintenance Checklists.....	28
Electrical System.....	32
Electrical Lighting (All Models).....	33
Electrical Harness (All Models).....	34
Hydraulic System.....	36
Hydraulic Cylinders and Bottom Cylinder Pins (All Models).....	37
Hydraulic Parts (5C090018).....	38
Pivot Latch Components (All Models).....	40
Tub Components (All Models).....	42
Document Box, Manual Holder, and Landing Gear (All Models).....	44
Landing Gear Components (All Models).....	45
Landing Gear Operation and Maintenance.....	46
Parking Brakes.....	52
Full Function Anti-lock Brake System.....	53
ABS Brake Components.....	54
Haldex Brake System and Troubleshooting Guide.....	55
Adjustment and Operation of Brakes.....	62
Tires.....	64
Wheel Installation.....	65
Wheel Maintenance During Tire Inspection.....	66
Axle Inspection.....	67
Air Suspension and Suspension Torque.....	68
Fifth Wheel Grease Components (All Models).....	69
Front Fender Parts, All Models.....	70
Rear Fender Panel Parts.....	72
Rear Fenders 44' Tri-Axle, 60" Spread.....	74
Center Mudflap Options.....	76
Air Supply (CBX Air Ride Quad-Axle, Air Lift) Parts.....	78
CBX23 Standard Suspension Parts.....	82
CBX23 PosiLift Suspension Parts.....	83
SAF-Holland CBX/CB Series Suspension Manual.....	84
Remote Grease Zerk Components.....	88
Aero Electric Tarp.....	89
Roll-Rite Electric Tarp.....	102
Tarp Tips.....	115
Trailer Pro, Electric Over Hydraulic Kit (4CFK2018).....	116
Rear Attachment Options.....	122
General Troubleshooting.....	128
Specifications And Features.....	132

In this document you will find information based on available knowledge at the time of its publication. To be accurate with the information, every effort was made but may not cover all details or variations of a trailer or provide every possibility in connection with its production, operation and maintenance. A Feature and Option may be presented in the manual that is not relevant to this trailer. Demco assumes no obligation of notice, to holders of this document, with changes made to a product.

SPECIFICATIONS AND DESIGN ARE SUBJECT TO CHANGE WITHOUT NOTICE.

Demco is often making improvements and developing new designs. In doing so, we reserve the right to make changes and/or improvements without obligation for equipment sold beforehand. Self-modification to our trailers may affect the operation, function, and safety, so this is not advised. If a replacement part is necessary, Demco should supply it, please contact your nearest dealer or Demco.

DEMCO STATEMENT OF PRODUCT SAFETY:

As a producer of agricultural and transportation equipment, Demco is fully aware of its responsibility of providing its customers products that perform their expected use, in a truly safe manner. Safety considerations shall be a fundamental and high precedence part of all engineering/design analysis and judgments involving Demco products. It is our stated policy that our products will be manufactured to coincide with the safety standards specified by the National Association of Trailer Manufacturers and/or any other officially recognized standards at the time manufactured. However, this statement should not be translated to mean that our product will uphold against a customer's own carelessness or disregard for common safety practices specified in each product's manual, nor will we be accountable for any such occurrence.

At Demco we strive to design, produce and deliver the highest quality trailer on the market. Our employees have a strong background of knowledge and combined experience in manufacturing to put quality workmanship into our products. In this manual you will find information covering all models of the Demco Side Dump Trailer line. Use the table of contents to locate specific areas of interest.

WARRANTY POLICY, OPERATOR MANUALS, PARTS MANUALS & REGISTRATION

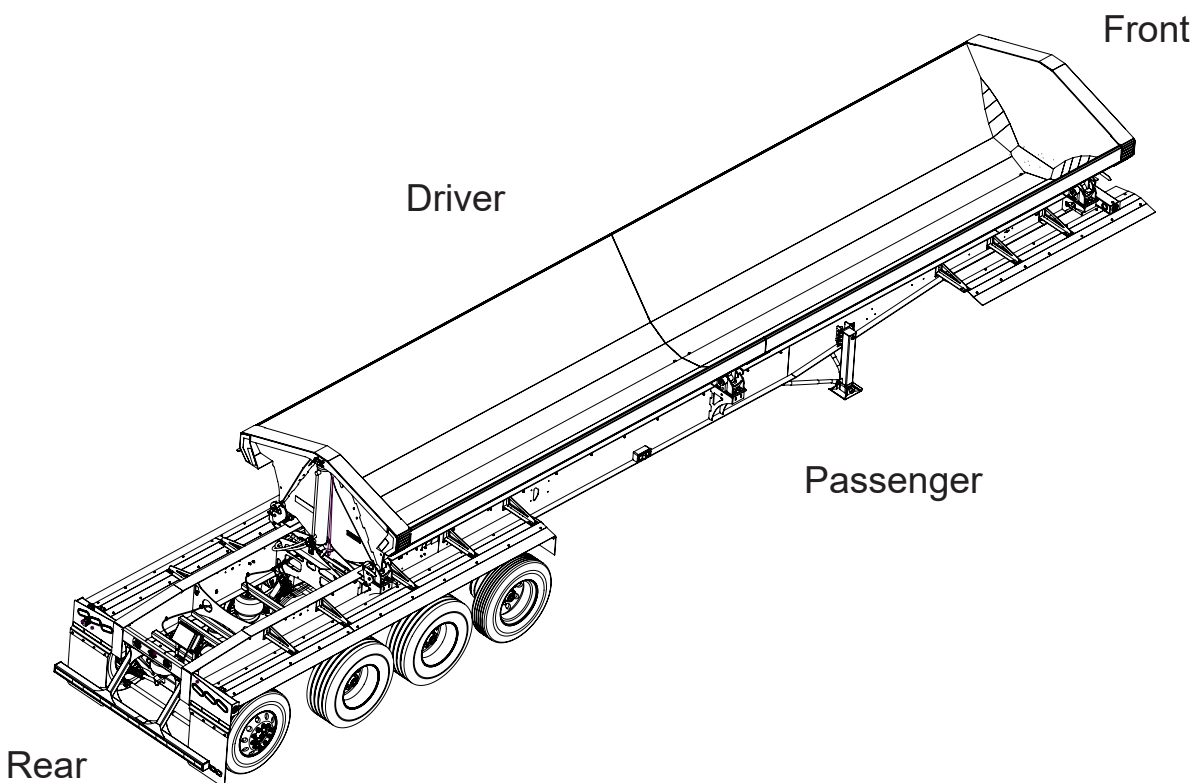
Go online to www.demco-products.com to review Demco warranty policies, operator manuals and register your Demco product.

GENERAL INFORMATION:

Demco requires that you and anyone else who will be operating and maintaining the trailer read and understand the guidelines in the manual for safe, efficient, and trouble free operations. Proper maintenance, adjustments and use will result in many years of service. Keep this manual handy for frequent reference and to pass on to new operators or owners. If assistance, information, or additional copies of the manual are needed, contact the nearest dealer, a distributor, or Demco.

PLEASE NOTE:

- All documents within the manual referring to products not manufactured by Demco have been printed with the permission of the manufacturer specified.
- All references to driver, passenger, front and rear of the trailer are determined from a position behind the trailer and facing forward.



We have two easy ways to register your warranty.

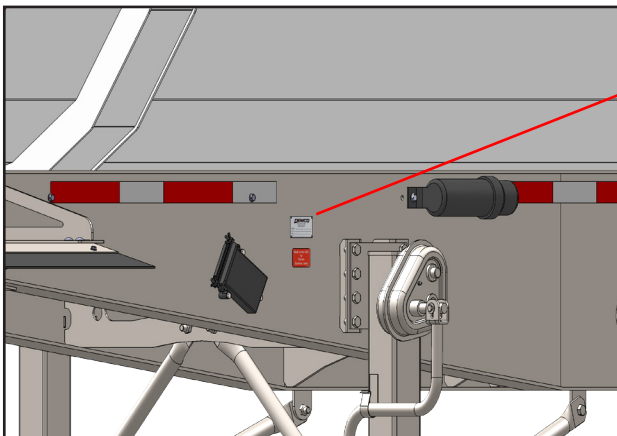
- **Call our toll free number and ask for warranty registration.
1-888-274-6010**
- **Register on-line in warranty page at
www.demco-products.com/resources/product-registration**

Demco Warranty does not cover the following:

- 1) Cleaning, transporting, mailing and service call charges.
- 2) Depreciation or damage caused by normal wear, accidents, improper protection or improper use.

See complete Warranty for details.

Serial Number



Example: VIN Number Description

57CKS4029CT627045

Demco
Side Dump
40' Length
No. of Axles
Check Digit
Model Year
Demco
Trailer Sequence
Demco Identifier Number

In addition to the VIN number Demco has placed a coded unit number on the chassis and the tub. Call Demco for location.

Record your trailer model and serial number in the space provided below. Your dealer needs this information to give you prompt, efficient service when you order parts.

MODEL NO. _____
SERIAL NO. _____
DATE PURCHASED _____

GAWR (Gross Axle Weight Rating): The maximum gross weight that an axle can support. It is the lowest of axle, wheel, or tire rating. Usually the tire or wheel rating is lower than the axle rating and determines the GAWR. The GAWR is listed on the VIN plate.

GVWR (Gross Vehicle Weight Rating): The maximum allowable gross weight of the trailer and its contents. The gross weight of the trailer includes the weight of the trailer and all of the items with it. GVWR is sometimes referred to as GTWR (Gross Trailer Weight Rating) or MGTW (Maximum Gross Trailer Weight). GVWR, GTWR and MGTW are all the same rating.

The sum total of the GAWR for all trailer axles may be less than the GVWR for the trailer, because some of the trailer load is to be carried by the tow vehicle, rather than by the trailer axle(s). The total weight of the cargo and trailer must not exceed the GVWR, and the load on an axle must not exceed its GAWR. The GVWR is listed on the VIN Plate.

VIN (Vehicle Identification Number): Identifies the trailer in four sections. The first section of three characters identifies the manufacturer. The second section consists of five characters (VIN positions 4-8), these are the attributes of the vehicle. The third section is one character which is the check digit. The fourth section consists of eight characters (VIN positions 10-17). The first character represents the vehicle model year, the second character represents the plant of manufacture. The third through eighth characters are a sequential production number. The VIN Plate is located on the passenger side of the bulkhead at the front of the trailer.

PSI (Pounds Per Square Inch): The tire pressure measurement. The PSI is listed on the VIN Plate.

Empty Weight: Some information that comes with the trailer is not a reliable source for 'empty' weight. The shipping documents list average or standard weights and your trailer may be equipped with options. To determine the 'empty' or weight of your trailer, have trailer weighed at a commercial scale.

Kingpin: The coupler on the front of the trailer that connects to the fifth wheel plate of the tow vehicle.

Fifth Wheel Plate: A device on the tow vehicle that pulls and supports the weight of the trailer.

Trailer Lighting and Braking Connectors: A device that connects electrical power from the tow vehicle to the trailer. If your trailer has electric brakes, the connector will also supply power to the brakes from the tow vehicle.

Landing Gear: A device on the trailer that is often referred to as the 'jack', used to raise and lower the trailer and for storage of the trailer. To operate the landing gear, pull the crank shaft outward for high gear and push in for low gear speed. Demco uses the Holland - Model Atlas 55 as standard equipment.

Registration Holder: Located on the driver side, under the front deck. Use this to keep the registration with the trailer at all times. The registration holder is often referred to as the "manifest" holder.

To The Dealer:

Inspect the trailer thoroughly after shipment to be certain it is functioning properly before delivering it to the customer. The following checklist is a reminder of points to cover. Check off each item as it is found satisfactory or after proper adjustment is made.

PRE-DELIVERY CHECKLIST

- 1. All hardware properly tightened
- 2. Proper 5th wheel fit
- 3. Lubrication of grease fittings
- 4. Lug nuts are tight
- 5. All decals properly located and readable
- 6. Lights function properly
- 7. Air lines tight and no pinched lines
- 8. Brakes functioning properly
- 9. Overall condition (touch up any scratches, clean and polish)
- 10. Operator's manual

Date Delivered: _____

Signature of Salesman or Technician: _____

DELIVERY

Review the operator's manual with the customer. Explain the following:

- 1. Safe operation and service
- 2. Correct trailer operation
- 3. Daily and periodic lubrication and maintenance
- 4. Daily and periodic inspections
- 5. Trouble shooting
- 6. Storing trailer
- 7. Demco parts and service policies
- 8. Have the customer write the trailer model and serial number in space provided in manual introduction.
- 9. Give customer the operator's manual and encourage the customer to read the manual carefully.
- 10. Customer to complete warranty registration on Demco's website.
- 11. Inform customer that any lift axle pressure(s) have NOT been set at the factory and that it is their responsibility to do so BEFORE first use.

Date Delivered: _____

Signature: _____

Model No: _____

Serial No: _____

Thank you for your recent purchase of a new Demco Side Dump Trailer. The primary objective of Demco is to build and provide you with a quality product. However, in the event that a problem does occur, it is imperative that your warranty registration is on file in order to accurately respond to your specific service circumstances. We have two easy ways to register your warranty:

**Register
Warranty
One of Two
Ways**

- Call our toll free number and ask for warranty registration.
1-888-274-6010
- Register on-line at:
www.demco-products.com

This manual has been prepared to assist you in the operation of your new trailer and contains information pertaining to safety, operations and all of its parts. Our personnel in sales and service are always available to assist you when questions arise concerning the maintenance or operations of your trailer.

When ordering parts, please refer to part numbers and descriptions as listed throughout this book. All parts and whole goods will be shipped FOB Spencer, IA. Or FOB your regional distributor. Always check merchandise immediately upon receipt for damage or shortage. Note any discrepancy on carrier's bill of lading and notify Sender within 10 days. Returned goods will be subject to a 15% restocking charge. Demco reserves the right to make improvements and modifications on equipment without obligation to change previously built equipment. All prices are subject to change without notice.



RECOGNIZE SAFETY INFORMATION

- This is the safety-alert symbol. When you see this symbol on your machine or in this manual, be alert to the potential for personal injury. Follow recommended precautions and safe operating practices.



FOLLOW SAFETY INSTRUCTIONS

- Carefully read all safety messages in this manual and on your machine safety signs. Keep safety signs in good condition. Replace missing or damaged safety sign.
- Learn how to operate the machine and how to use controls properly.
- Do not let anyone operate without instruction.
- Keep your machine in proper working condition.
- Unauthorized modification to the machine may impair the function and/or safety and affect machine life



PROTECT CHILDREN AND BYSTANDERS

- Before you back, LOOK CAREFULLY behind for children.
- Clear area of children, pets and bystanders.



HIGHWAY AND TRANSPORT OPERATIONS

Adopt safe driving practices:

- Always drive at a safe speed relative to local conditions and ensure that your speed is low enough for an emergency stop to be safe and secure. Keep speed to a minimum.
- Reduce speed prior to turns to avoid the risk of overturning.
- Avoid sudden uphill turns on steep slopes.
- Always keep the tractor or towing vehicle in gear to provide engine braking when going downhill. Do not coast.
- Do not drink and drive.
- Comply with state and local laws governing highway safety and movement of equipment on public roads.
- Use approved accessory lighting and necessary warning devices to protect operators of other vehicles on the highway during daylight and nighttime transport.





HIGHWAY AND TRANSPORT OPERATIONS

- Plan your route to avoid heavy traffic.
- Be a safe and courteous driver. Always yield to oncoming traffic in all situations, including narrow bridges, intersection, etc.
- Be observant of bridge loading ratings. Do not cross bridges rated lower than the gross weight at which you are operating.
- Always operate the tractor trailer in a position to provide maximum visibility at all times. Make allowances for increased length and weight of the equipment when making turns, stopping the unit, etc.



AVOID HIGH PRESSURE FLUIDS

- Escaping fluid under pressure can penetrate the skin causing serious injury.
- Avoid the hazard by relieving pressure before disconnecting hydraulic or other lines. Tighten all connections before applying pressure.
- Search for leaks with a piece of cardboard.
- Protect hands and body from high pressure fluids.
- If an accident occurs, see a doctor immediately.



DISPOSE OF FLUIDS PROPERLY

- Improperly disposing of fluids can harm the environment and ecology. Before draining any fluids, contact your local environmental agency for the proper waste disposal methods.
- Use proper container when draining fluids. Do not use food or beverage containers that may mislead someone into drinking from them.
- DO NOT pour oil into the ground, down a drain, or into a stream, pond, or lake. Observe relevant environmental protection regulations when disposing of oil and other harmful waste.

TAKE NOTE! THIS SAFETY ALERT SYMBOL FOUND THROUGHOUT THIS MANUAL IS USED TO CALL YOUR ATTENTION TO INSTRUCTIONS INVOLVING YOUR PERSONAL SAFETY AND SAFETY OF OTHERS. FAILURE TO FOLLOW THESE INSTRUCTIONS CAN RESULT IN INJURY OR DEATH!



**THIS SYMBOL MEANS:
ATTENTION!
BECOME ALERT!
YOUR SAFETY IS INVOLVED!**

SIGNAL WORDS

Note use of following signal words **DANGER**, **WARNING**, and **CAUTION** with safety messages. The appropriate signal word for each has been selected using the following guidelines:

DANGER: Indicates an imminently hazardous situation that, if not avoided, will result in death or serious injury. This signal word is to be limited to most extreme situations typically for machine components which, for functional purposes, cannot be guarded.

WARNING: Indicates a potentially hazardous situation that, if not avoided, could result in death or serious injury, and includes hazards that are exposed when guards are removed. It may also be used to alert against unsafe practices.

CAUTION: Indicates a potentially hazardous situation that, if not avoided, may result in minor or moderate injury. It may also be used to alert against unsafe practices.



EQUIPMENT SAFETY GUIDELINES

Every year many accidents occur which could have been avoided by a few seconds of thought and a more careful approach to handling equipment. You, the operator, can avoid many accidents by observing the following precautions in this section. To avoid personal injury, study the following precautions and insist those working with you, or you yourself, follow them.

Operator should be a responsible adult. **DO NOT ALLOW PERSONS TO OPERATE THIS UNIT UNTIL THEY HAVE DEVELOPED A THOROUGH UNDERSTANDING OF SAFETY PRECAUTIONS AND HOW IT WORKS.**

DO NOT modify the trailer in anyway. Doing so may impair the function and/or safety and could affect the life of the trailer.

Never exceed the maximum capacity of the trailer. By doing so you risk damage to your Demco trailer. If it's ability to do a job, or to do so safely is in question **DON'T TRY IT.**

Review safety instructions with all users annually.

Replace any caution, warning, danger or instruction safety decal that is not readable or is missing. Location of such decals is indicated in this booklet.

Do not paint over, remove, or deface any safety signs or warning decals on your equipment. Observe all safety signs and practice instructions on them.



LOAD DISTRIBUTION SAFETY

The total weight of the load you put on the trailer, plus the empty weight of the trailer itself, must not exceed the trailer's Gross Vehicle Weight Rating (GVWR). You must distribute the load on the trailer such that the load on any tire or axle does not exceed the tire load rating or the Gross Axle Weight Rating (GAWR). If you do not know the weight of your trailer you must weigh it at a commercial scale. See your VIN Plate for proper ratings. Not following these guidelines could cause serious injury or even death.



TIRE AND LUG NUT SAFETY

It is essential to inspect the trailer tires and wheels before each tow. Trailer tires are more likely to fail compared to car tires due to the heavier load the trailer carries. Please follow the list of guidelines and/or possibilities below that could cause serious injury or even death.

- ◆ Replace the tire before towing if the tire has a bald spot, cut, bulge, is showing any cords, or is cracked.
- ◆ If uneven tread is noticed, take the trailer to a dealer service center for an inspection. Tire imbalance, axle misalignment, or incorrect inflation could cause the uneven tread.
- ◆ Too little of tread will not be adequate enough for traction and can cause loss of control on wet highways.
- ◆ Tire pressure that is improper causes an unstable trailer and could blowout the tire causing loss of control.
- ◆ Check the tire pressure before towing, while the tire is cold. For the recommended PSI, see the VIN Plate or the side wall of the tire.
- ◆ Always order and install tires and wheels with appropriate type and load capacity to meet or exceed gross weight of unit.

The inspection of the tire and wheel lug nuts is necessary since they are prone to loosen after first being assembled. Please follow the list of guidelines and/or possibilities below that could cause serious injury or even death.

- ◆ When towing a new trailer, check the lug nuts after the first 50 to 100 miles of driving.
- ◆ Metal creep between the wheel and the lug nuts will cause wheel to loosen and could come off. Check to make sure the lug nuts are tight before each tow.
- ◆ Improper torque could cause the wheel to separate from trailer. A torque wrench should be used to tighten the lug nuts. If one is not available use a lug wrench then take to a trailer dealer or service garage to tighten them to the required torque.

Working on hydraulic systems

DANGER: Clear area around trailer of bystanders before raising tub.

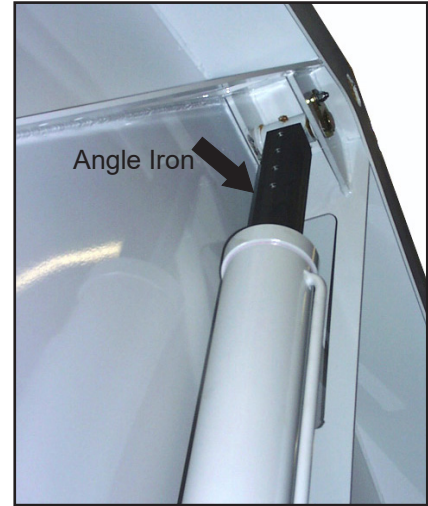
DANGER: Do not preform maintenance on tub body without physically blocking body and cylinders to prevent lowering.



Before performing maintenance between the frame rails, the trailer should be hooked to tractor on a level surface, fully dumped, then hydraulic hoses uncoupled.

If service requires the tub to be partially dumped follow the proper safety procedures.

1. Make two tub braces using 1/4" x 3" x 3" angle iron.
2. Raise tub and insert angle iron over cylinder rod on each end. (See Photo)
3. After tub is secured in raised position:
 - a. Disengage the PTO; relieve the pressure from the hydraulic system by jogging control valve both directions to relieve pressure from the system.
 - b. When working on hydraulic systems, EXTREME caution must be used to avoid injuries from high pressure or hot oil.
 - c. Never attempt to work on loaded trailer.



1/4" x 3" x 3" Angle Iron (20" Min. Length)



WARNING: Hydraulic fluid escaping under pressure can have enough force to penetrate the skin. Hydraulic fluid may also infect a minor cut or opening in the skin. If injured by escaping fluid, see doctor at once. Serious infection or reaction can result if medical treatment is not given immediately. Make sure all connections are tight and that hoses and lines are in good condition before applying pressure to the system. Relieve all pressure before disconnecting the lines or performing other work on the hydraulic systems.

Tub and frame inspections

An important phase of trailer upkeep and maintenance is the inspection and repair, if any, of all structural steel members of the trailer frame and tub. It is readily apparent that the frame and tub must be one solid unit to carry the load safely and quickly without danger of accident or further damage to the trailer. This also prevents subsequent major repair, cost and trailer down time.

The need for a complete frame and tub inspection stems from various reasons:

- Trailer loaded to maximum rated capacity, or greater.
- Rough handling may also cause structural failures of varying degrees. The failures are the results of metal fatigue due to flexing, twisting, distortion.

Frame and tub failure will show up in the steel frame members as weld cracks, cracked and loosened steel sections.

To detect any fractures before they become major failures:

- Once a month thoroughly inspect the trailer for any sign of failure and correct any defects.
- It is desirable to have the trailer completely washed down so all the joints and welds may be closely viewed.

Bolt Torque Specifications

Tighten all bolts to torques specified in chart unless otherwise noted. Check tightness of bolts periodically, using bolt chart as guide. Replace hardware with same grade bolt.

NOTE: Unless otherwise specified, high-strength Grade 5 hex bolts are used throughout assembly of equipment.

Bolt Torque for Standard bolts *



Torque Specifications

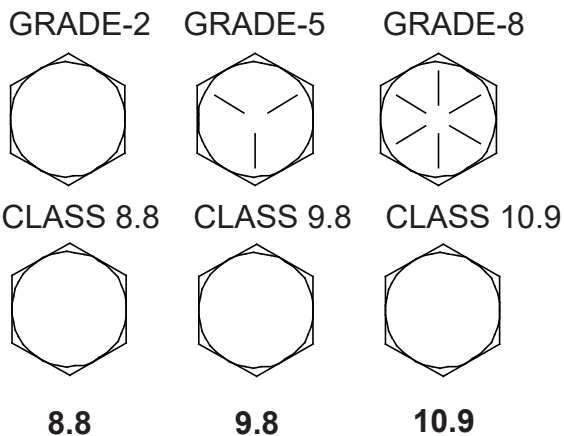
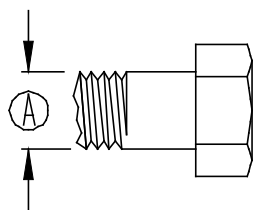
"A"	GRADE 2		GRADE 5		GRADE 8	
	lb-ft	(N.m)	lb-ft	(N.m)	lb-ft	(N.m)
1/4"	6	(8)	9	(12)	12	(16)
5/16"	10	(13)	18	(25)	25	(35)
3/8"	20	(27)	30	(40)	45	(60)
7/16"	30	(40)	50	(70)	80	(110)
1/2"	45	(60)	75	(100)	115	(155)
9/16"	70	(95)	115	(155)	165	(220)
5/8"	95	(130)	150	(200)	225	(300)
3/4"	165	(225)	290	(390)	400	(540)
7/8"	170	(230)	420	(570)	650	(880)
1"	225	(300)	630	(850)	970	(1310)

Bolt Torque for Metric bolts *

Torque figures indicated are valid for non-greased or non-oiled threads and heads unless otherwise specified. Therefore, do not grease or oil bolts or capscrews unless otherwise specified in this manual. When using locking elements, increase torque values by 5%.

* GRADE or CLASS value for bolts and capscrews are identified by their head markings.

"A"	CLASS 8.8		CLASS 9.8		CLASS 10.9	
	lb-ft	(N.m)	lb-ft	(N.m)	lb-ft	(N.m)
6	9	(13)	10	(14)	13	(17)
7	15	(21)	18	(24)	21	(29)
8	23	(31)	25	(34)	31	(42)
10	45	(61)	50	(68)	61	(83)
12	78	(106)	88	(118)	106	(144)
14	125	(169)	140	(189)	170	(230)
16	194	(263)	216	(293)	263	(357)
18	268	(363)	--	--	364	(493)
20	378	(513)	--	--	515	(689)
22	516	(699)	--	--	702	(952)
24	654	(886)	--	--	890	(1206)

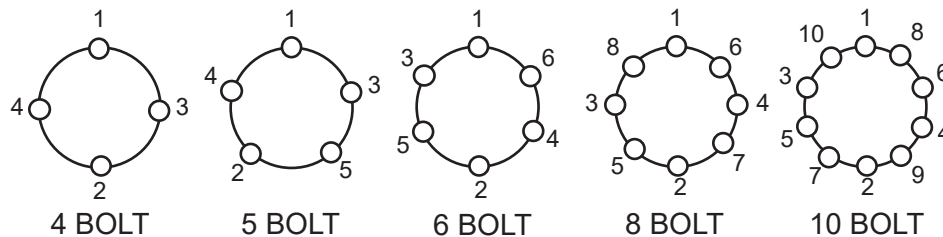


It is extremely important to apply and maintain proper wheel mounting torque on your trailer axle. Torque is a measure of the amount of tightening applied to a fastener (nut or bolt) and is expressed as length times force. For example, a force of 90 pounds applied at the end of a wrench one foot long will yield 90 lbs-ft of torque. Torque wrenches are the best method to assure the proper amount of torque is being applied to a fastener.

NOTE: Wheel nuts or bolts must be applied and maintained at the proper torque levels to prevent loose wheels, broken studs, and possible dangerous separation of wheel from your axle.

Be sure to use only the fasteners matched to the cone angle of your wheel (usually 60 degrees or 90 degrees). The proper procedure for attaching your wheels is as follows:

1. Start all bolts or nuts by hand to prevent cross threading.
2. Tighten bolts or nuts in the following sequence.
3. The tightening of the fasteners should be done in stages. Following the recommended sequence, tighten fasteners per wheel torque requirements diagram:



4. Wheel nuts or bolts should be torqued before first road use and after each wheel removal. Check and re-torque after the first 50 miles and again at 100 miles. Check periodically thereafter.

WHEEL AND RIM TORQUE REQUIREMENTS

Description	Application	Minimum Torque (lbs-ft)	Maximum Torque (lbs-ft)
1/2" Cone Nut	12" – 13" Wheel	50	65
	14" – 15" Wheel	90	120
5/8" Cone Nut	Flat Disc Wheel	175	225
3/4" Hex Nut	Demountable Ring Clamp	210	260
3/4" Spherical Nut	Single Wheel	450	500
	Inner Dual	450	500
1-1/2" Spherical Nut	Outer Dual	450	500
5/8" Flange Nut	Wheels	275	325

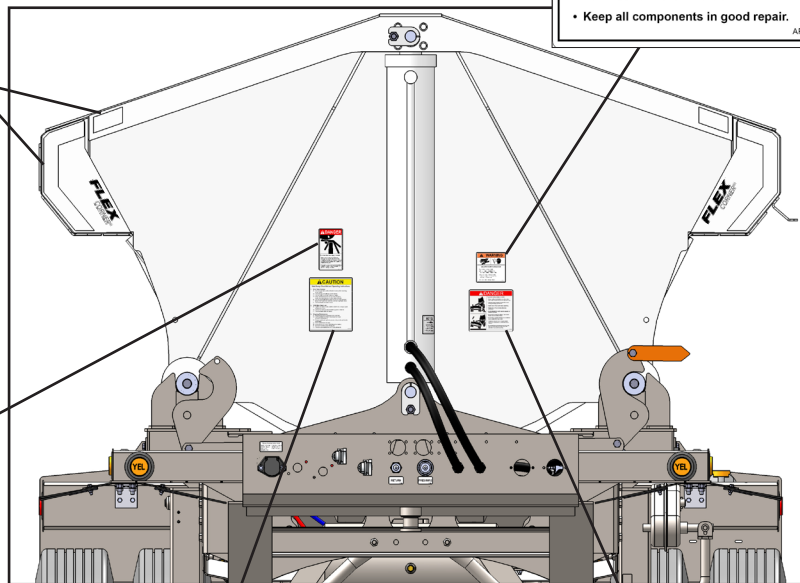
Safety Decals/Reflectors

Important: Install new safety decals and reflectors if the old decals and reflectors are destroyed, lost, painted over or cannot be read. When parts are replaced that have decals or reflectors, make sure you install a new decal with each new part.

1AQAP2914



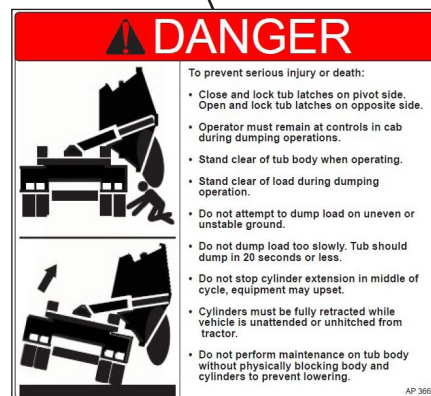
White Reflectors
1AQAT000000



1AQAP4361



1AQAP3670



1AQAP3669

1AQAP3669 (1) DANGER (Load Dumping Safety) 8"W x 5-1/2"L

1AQAP3670 (1) CAUTION (Side Dump Checklist and Operating Instructions) 6"W x 7"L

1AQAP2914 (1) WARNING (High Pressure Fluid) 4"W x 4"L

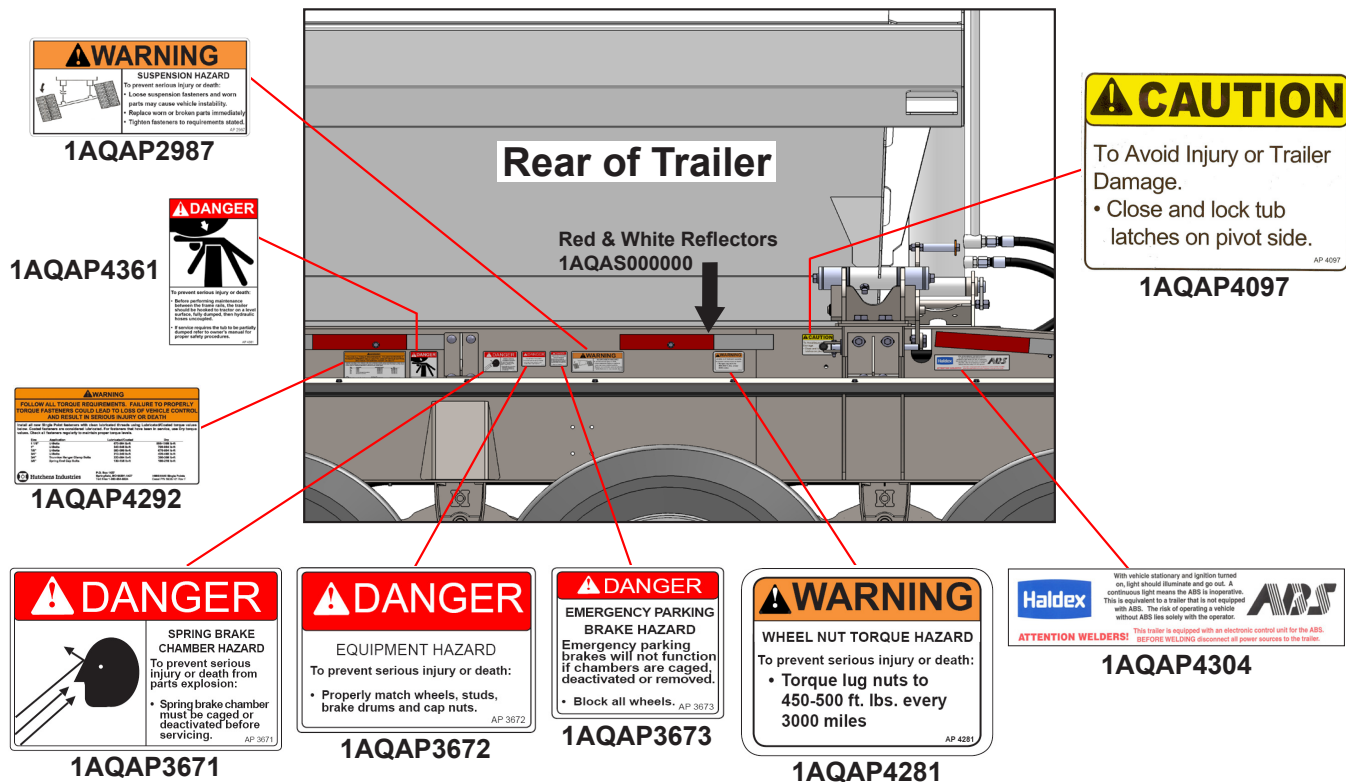
1AQAP4361 (2) DANGER (Frame Area Maintenance) 3"W x 6-1/4"L

* 1AQAT000000 (4) White Conspicuity Tape, 2" Wide

* White Conspicuity Tape is located at both sides of both ends of tub.

NOTE: New decals and reflectors are available from your dealer.

Safety Decals/Reflectors



Important:

Install new safety decals and reflectors if the existing decals and reflectors are destroyed, lost, painted over, or cannot be read. When parts are replaced that have decals or reflectors, make sure you install a new decal with each new part.

- 1AQAP2987 (1) Decal, WARNING, Suspension Hazard
- * 1AQAP3673 (2) Decal, DANGER Emergency Parking Brake Hazard
- * 1AQAP3672 (2) Decal, DANGER Equipment Hazard
- * 1AQAP3671 (2) Decal, DANGER Spring Brake Chamber Hazard
- 1AQAP4097 (2) Decal, CAUTION, lock tub latches
- 1AQAP4281 (1) Decal, WARNING, Wheel Nut Torque
- † 1AQAP4292 (1) Decal, Hutch Suspension Torque, Orange/Black
- 1AQAP4304 (1) Decal, Haldex ABS Light/ATTN Welders
- 1AQAP4361 (2) Decal, Frame Area Maintenance, Trailer
- ‡ 1AQAP4556 (1) Decal, Holland CBX Swing Align Instruction
- ‡ 1AQAP4557 (1) Decal, Holland CBX Torque Specs

- * Safety decals are located at the rear of the trailer on both sides.
- † Spring Ride Trailers only.
- ‡ Air Ride Trailers only.

HOW TO APPLY SAFETY DECALS:

1. Be sure that the installation area is clean and dry.
2. Be sure temperature is above 50°F(10°C).
3. Decide on exact position before removing the backing paper.
4. Remove smallest portion of split backing paper.
5. Align decal over specified area and carefully press the small portion with the exposed adhesive in place.
6. Slowly peel back remaining paper and carefully smooth remaining portions of decal into place.
7. Small air pockets can be pierced with a pin and smoothed out using a piece of decal backing paper.



1AQAP4556

CBX / CB FIXED FRAME TRAILER AIR SUSPENSION TORQUE SPECIFICATIONS				
Frame Size	Shock		Air Spring	
	1-18"	34"	12"	34"
Torque Ft-Lbs. (Nm)	450-500 (600-670)	140-175 (190-230)	90-40 (121-54)	40-45 (54-61)
SpringAlign	12"	12"	50-60 (68-81)	50-60 (68-81)

1AQAP4557

Knowing how to couple and uncouple correctly is basic to safe operation of combination vehicles. General coupling and uncoupling steps are listed below. There are differences between different trucks, so learn the details of coupling and uncoupling the truck (s) you will operate.



WARNING:
INCORRECT COUPLING AND UNCOUPLING CAN RESULT IN SERIOUS INJURY OR DEATH.

Coupling Tractor-Semitrailers

Step 1. Inspect Fifth Wheel

- Check for damaged/missing parts.
- Check to see that mounting to tractor is secure, no cracks in frame, etc.
- Be sure that the fifth wheel plate is greased as required. Failure to keep the fifth wheel plate lubricated could cause steering problems because of friction between the tractor and the trailer.
- Check if fifth wheel is in proper position for coupling.
 - Wheel tilted down towards rear of tractor.
 - Jaws open.
 - Safety unlocking handle in the automatic lock position.
- If you have a sliding fifth wheel, make sure it is locked.
- Make sure the trailer kingpin is not bent or broken.

Step 2. Inspect Area and Chock Wheels

- Make sure area around the vehicle is clear.
- Be sure the trailer spring brakes are on.

Step 3. Position Tractor

- Pull the tractor directly in front of the trailer. (Never back under the trailer at an angle, because you might push the trailer sideways and break the landing gear.)
- Check position, using outside mirrors, by looking down both sides of the trailer.

Step 4. Back Slowly

- Back until fifth wheel just touches the trailer.
- Don't hit the trailer.

Step 5. Secure Tractor

- Put on the parking brake.
- Put transmission in neutral.

Step 6. Check Trailer Height

- The trailer should be low enough that it is raised slightly by the tractor when the tractor is backed under it. Raise or lower the trailer as needed. (If trailer is too low, tractor may strike and damage nose of trailer; if trailer is too high, it may not couple correctly.)
- Check that the kingpin and fifth wheel are aligned.

Step 7. Connect Air Lines to Trailer

- Check glad hand seals and connect tractor supply (emergency) air line to trailer supply (emergency) glad hand.
- Check glad hand seals and connect tractor control (service) air line to trailer control (service) glad hand.
- Make sure air lines are safely supported where they won't be crushed or caught while tractor is backing under the trailer.

Step 8. Supply Air to Trailer

- From cab, push in "air supply" knob or move tractor protection valve control from the "emergency" to the "normal" position to supply air to the trailer brake system.
- Wait until the air pressure is normal.
- Check brake system for crossed air lines.
 - Shut engine off so you can hear the brakes.
 - Apply and release trailer brakes, listen for sound of trailer brakes being applied and released. You should hear the brakes move when applied and air escape when the brakes are released.
 - Check air brake system pressure gauge for signs of major air loss.
- When you are sure trailer brakes are working, start engine.
- Make sure air pressure is up to normal.

Step 9. Lock Trailer Brakes

- Pull out the "air supply" knob, or move the tractor protection valve control from "normal" to "emergency."

Step 10. Back Under Trailer

- Use lowest reverse gear.
- Back tractor slowly under trailer to avoid hitting the kingpin too hard.
- Stop when the kingpin is locked into the fifth wheel.

Step 11. Check Connection for Security

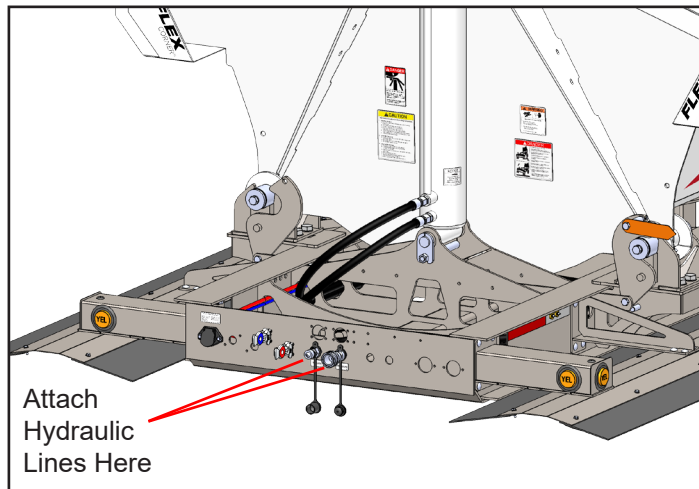
- Raise trailer landing gear slightly off ground.
- Pull tractor gently forward while the trailer brakes are still locked onto the tractor.

Step 12. Connect Hydraulic Couplers to Trailer

- Connect hydraulic hoses to trailer remotes.



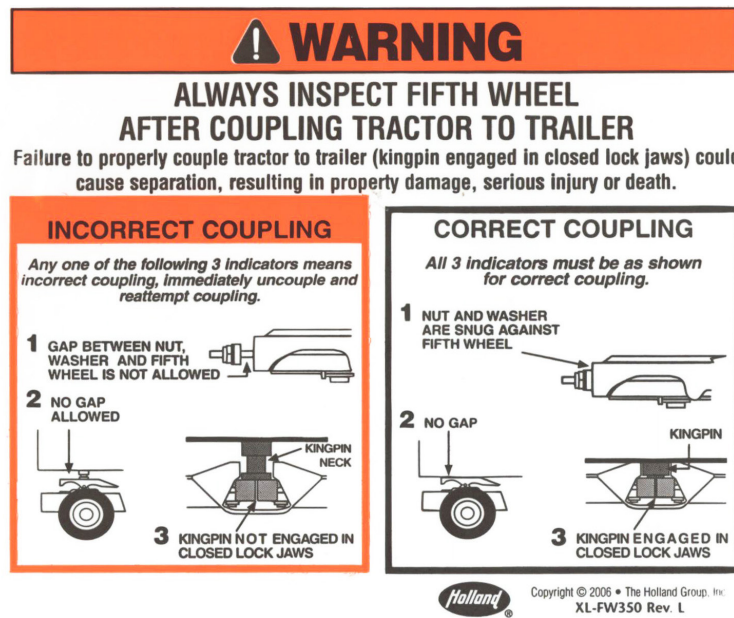
WARNING: Hydraulic fluid escaping under pressure can have enough force to penetrate the skin. Hydraulic fluid may also infect a minor cut or opening in the skin. If injured by escaping fluid, see doctor at once. Serious infection or reaction can result if medical treatment is not given immediately. Make sure all connections are tight and that hoses and lines are in good condition before applying pressure to the system. Relieve all pressure before disconnecting the lines or performing other work on the hydraulic systems.

**Step 13.** Secure Vehicle

- Put transmission in neutral.
- Put parking brakes on.
- Shut off engine and take key with you so someone else won't move truck while you are under it.
- Make sure air and electrical lines will not hit any moving parts of the vehicle.

Step 14. Inspection Coupling

- Use a flashlight if necessary.
- Make sure there is no space between upper and lower fifth wheel. If there is space, something is wrong (kingpin may be on top of closed fifth wheel jaws; trailer would come loose very easily).
- Go under trailer and look into the back of the fifth wheel. Make sure the fifth wheel jaws have closed around the shank of the kingpin.
- Check that the locking lever is in the “lock” position.
- Check that the safety catch is in position over locking lever. (On some fifth wheels, the catch must be put in place by hand.)
- If the coupling isn't right, don't drive the coupled unit; get it fixed.

**Step 15.** Connect the Electrical Cord and Check Air Lines

- Plug the electrical cord into the trailer and fasten the safety catch.
- Check both air lines and electrical line for signs of damage.
- Make sure air and electrical lines will not hit any moving parts of the vehicle.

Step 16. Raise Front Trailer Supports (Landing Gear)

- Use low gear range (if so equipped) to begin raising the landing gear. Once free of weight, switch to the high gear range.
- Raise the landing gear all the way up. (Never drive with landing gear only part way up as it may catch on railroad tracks or other things.)
- After raising the landing gear, secure the crank handle safely.
- When full weight of trailer is resting on tractor:

Check for enough clearance between rear of tractor frame and landing gear. (When tractor turns sharply, it must not hit landing gear.)

Check that there is enough clearance between the top of the tractor tires and the nose of the trailer.

Uncoupling Tractor-Semitrailers

The following steps will help you to uncouple safely.

Step 1. Position Rig

- Make sure surface of parking area can support weight of trailer.
- Have tractor lined up with the trailer. (Pulling out at an angle can damage landing gear.)

Step 2. Ease Pressure on Locking Jaws

- Shut off trailer air supply to lock trailer brakes.
- Ease pressure on fifth wheel locking jaws by backing up gently (this will help you release the fifth wheel locking lever).
- Put parking brakes on while tractor is pushing against the kingpin. This will hold rig with pressure off the locking jaws.

Step 3. Lower the Landing Gear

- If trailer is empty – lower the landing gear until it makes firm contact with the ground, turn crank in low gear a few extra turns; this will lift some weight off the tractor. (Do not lift trailer off the fifth wheel.) This will:
 - Make it easier to unlatch fifth wheel;
 - Make it easier to couple next time.

Step 4. Disconnect Air Lines, Electrical Cable and Hydraulic Lines

- Disconnect air lines from trailer. Connect air line glad hands to dummy couplers at back of cab, or couple them together.
- Hang electrical cable with plug down to prevent moisture from entering it.
- Hang hydraulic lines so dirt and moisture will not enter the couplers.
- Make sure lines are supported so they won't be damaged while driving the tractor.

Step 5. Unlock Fifth Wheel

- Raise release handle lock.
- Pull the release handle to "open" position.
- Keep legs and feet clear of the rear tractor wheels to avoid serious injury in case the vehicle moves.

Step 6. Pull Tractor Partially Clear of Trailer

- Pull tractor forward until fifth wheel comes out from under the trailer.
- Stop with tractor frame under trailer (prevents trailer from falling to ground if landing gear should collapse or sink).

Step 7. Secure Tractor

- Apply parking brake.
- Place transmission in neutral.

Step 8. Inspect Trailer Supports

- Make sure ground is supporting trailer.
- Make sure landing gear is not damaged.

Step 9. Pull Tractor Clear of Trailer

- Release parking brakes.
- Check the area and drive tractor clear.

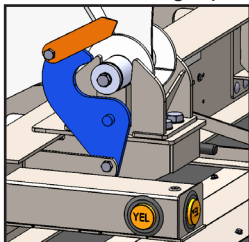
Setting the tub to dump curb-side or road-side.

CAUTION:
Make sure the latches on each end of the tub are locked in the same direction. Failure to do so will result in damage to the side dump and/or tractor.

Latch Indicator Flag indicates direction of dump as shown below.

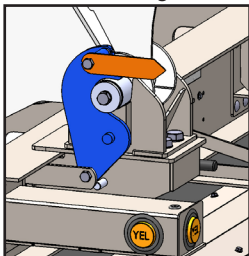
Latch Indicator Flag Open

Curb-Side Dump



Latch Indicator Flag Closed

Road-Side Dump



Before dumping the tub determine which direction the tub is going to dump when raised.

All steps are performed on the driver's side only.

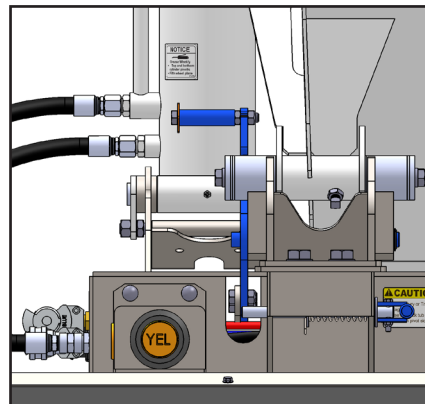
NOTE:
The following steps must be performed on both the front and the rear pivots.

Step One:
Pull latch out to release pivot lock handle.

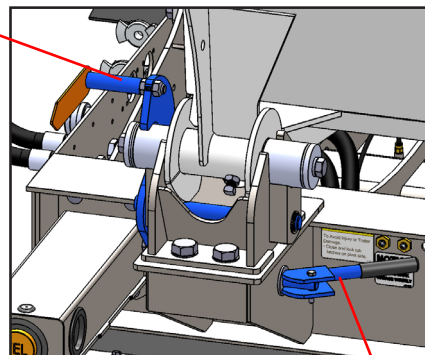
Step Two:
Pull bolt handle towards pivot pin to lock the tub in the left-hand (road-side) dump position.

Push bolt handle away from pivot pin to lock tub in the right-hand (curb-side) dump position.

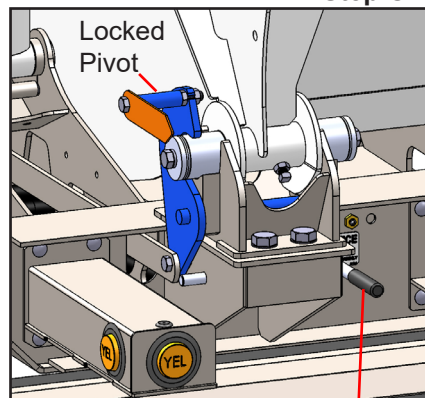
Return latch to the locked position.



Step Two

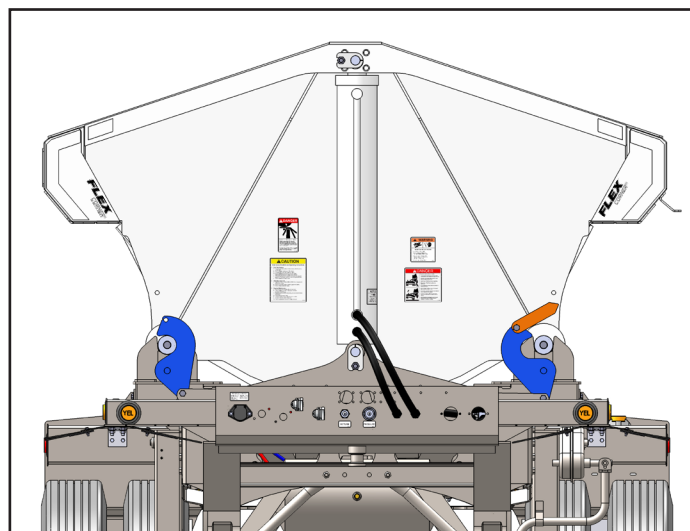


Step One



Locked Position

Locked Position for Curb-Side Dumping



First time hookup charging cylinders

! DANGER: Clear area around trailer of bystanders before charging system.



Tilt tub part way several times to fill hydraulic cylinders before extending cylinders completely. Extend and retract cylinders completely. Check for proper operation.

Filling and dumping trailer

! DANGER: Clear area around trailer of bystanders before filling and dumping trailer.

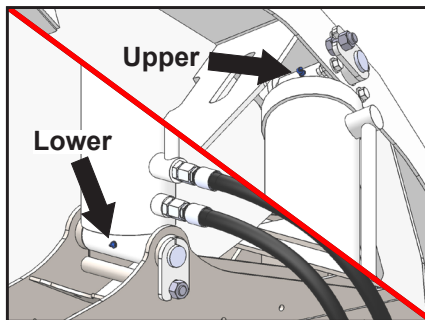


NOTE: When Filling or Dumping loads, remain at the controls and stand clear of the trailer. The tub should dump in 20 seconds or less. **DO NOT** stop cylinder extension in middle of cycle, equipment may upset. **DO NOT** attempt to dump load on uneven or unstable ground.

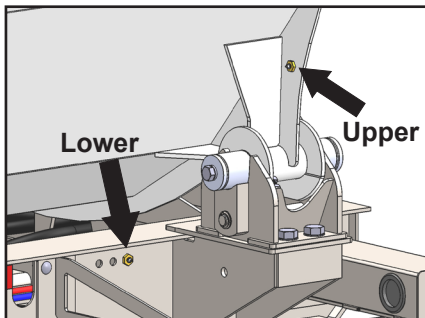
Tub Size	Level Full - Cubic Yards	Heaped Full - Cubic Yards
14'	9.1	12.0
15'	9.8	12.9
16'	10.5	13.8
17'	11.1	14.6
20'	13.2	17.3
24'	15.8	20.8
30'	20.0	26.2
34'	22.7	29.7
37'	24.5	32.1

Lubrication maintenance

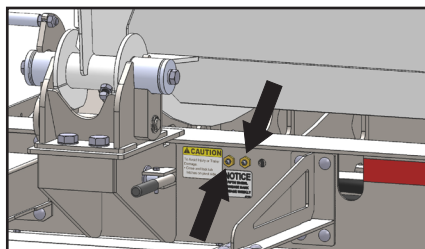
- Grease upper and lower pivot point zerks of both lift cylinders weekly. (Front lift cylinder zerks shown)



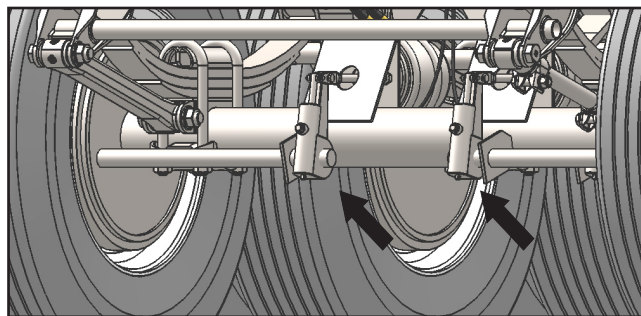
- If equipped with the remote grease zerk option, front lift cylinder zerks can be found near the curb-side front pivot. The rear lift cylinder zerks can be found near the road-side rear pivot. (Front lift cylinder zerks shown)



- Grease fifth wheel zerks weekly.

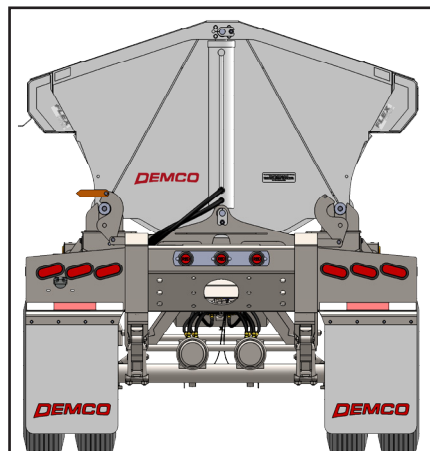


- Grease slack adjuster pivot on all wheels monthly.

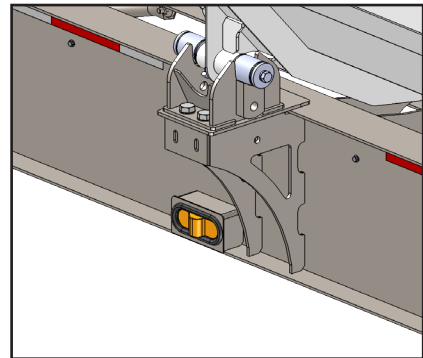
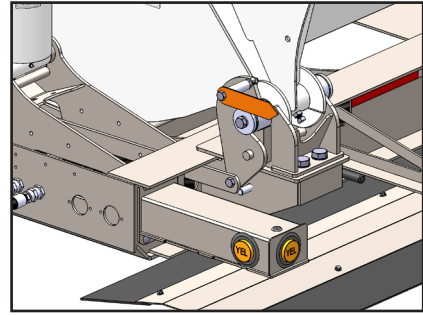


Inspect lights daily

- Turn on truck lights and 4 way flashers.
- Walk around tractor and trailer to inspect that all lights are operating.

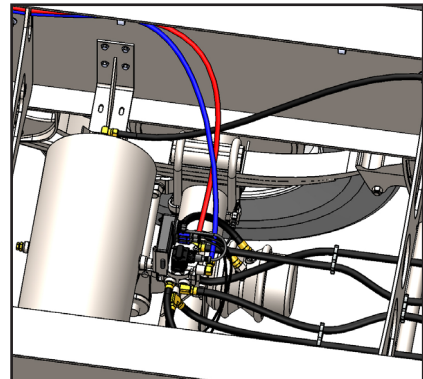


**Inspect lights daily
(cont.)**



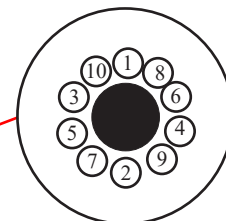
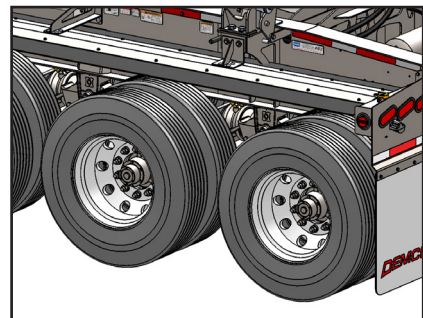
**Inspect hydraulic
and air lines daily**

- Inspect hydraulic lines, air lines, and valves for leaks, rubbing, or crimped lines.



**Inspect tires and
lug nuts daily**

- Check Tire pressure. If necessary, inflate tires to pressure recommended by the tire manufacturer. Maximum tire pressures are molded into the tire sidewall.
- Check all hubs for loose lug nuts.
- Re-torque all wheel lugs nuts. Recommended torque dry: 450-500 ft. lbs. See sequence below.
- Check all hubs for proper oil level.
- Check all valve stems for proper mounting.
- Check that tires and rims do not rub.
- Tighten flange nuts to recommended torque using sequence shown.



Break-in procedure

After the first twenty-four (24) hours of use, perform the following maintenance procedures:

1. Re-torque all suspension bolts and axle u-bolts. Torque specifications (as shown on the following page) are also on a decal located on the trailer sub-frame above the suspension.
2. Re-torque all wheel lug nuts.
3. Check all clearance lights, turn signal indicators, and stop lights.
4. Inspect all brake hoses and airlines for kinks and leaks.
5. Check hub oilers for leaks or low levels.
6. Check pintle hitch and/or push block mounting bolts for proper torque. (380 ft. lbs. Dry)
7. Inspect hydraulic lines and valves for leaks, chaffing or crimped lines.

Pre-Trip Checklist

Perform the Pre-Trip checklist whenever the tractor-trailer has been left unattended.

1. Check that 5th wheel is properly coupled and locked.
2. Check that air hoses are securely attached to the trailer gladhands.
3. Check that electrical cord is properly connected to the trailer plug.
4. Walk around trailer to check conditions of tires, lights, and landing gear.
5. Check tub dump latches to ensure they are both set for dumping to the same side.

Daily Inspection Checklist

Perform the Daily Inspection Checklist each day before operating your side dump trailer.

1. Perform the Pre-Trip Checklist.
2. Inspect air and hydraulic lines for leaks, crimps, and abrasions.
3. Visually inspect tires for damage. Check tire air pressure. Check hubs for loose lug nuts. Check hub caps for damage.
4. Check hub oil level and refill as needed.
5. Check trailer chassis and tub for loose fasteners of damaged parts.
6. Turn on lights and flashers. Walk around trailer to check that all lights are working. Replace any lights that are not working.

Weekly Inspection Checklist

Perform the Weekly Inspection Checklist at the beginning of each week or if the trailer has not been used for more than a week.

1. Perform the Pre-Trip and Daily Inspection Checklists.
2. Grease the top and bottom cylinder pins on the front and rear cylinders.
3. Grease the fifth wheel using the two grease zerks located on road-side frame rail near front pivot.

***Perform the following checks every 2,000 miles:
(or monthly - whichever comes first)***

AIR BRAKE SYSTEM

- A. Check air brake hose and Synflex lines for chaffing and crimping.

TIRES

- A. Check for signs of uneven tire wear.
- B. Check tires for cuts, side wall breaks, tread cracking, or separation or feathered wear.
- C. Check duals for uneven wear, and rotate if necessary.

BRAKE DRUMS AND WHEELS

- A. Check and determine how much brake lining has worn.
- B. Inspect closely for worn stud holes, loose cap nuts and/or clamp nuts.
- C. Inspect wheel, rims, and hubs for cracks, breaks or other damage.
- D. Grease slack adjusters

SUSPENSION ASSEMBLIES

- A. Inspect rubber bushings.
- B. Inspect mounting brackets for damage or broken parts.
- C. Make certain lock nuts on alignment adjusting screws are tight.
- D. Check and re-torque all suspension bolts and pushblock bolts.

HYDRAULIC SYSTEM

- A. Check hydraulic hoses for chaffing, crimping and fasten securely.
- B. Check for hydraulic leaks.
- C. Make sure valves are not leaking and are operating properly.
- D. Hydraulic system is entirely dependent upon towing vehicle for its supply and control. Therefore, you must maintain hydraulic system on tow vehicle. Tow vehicle should maintain 30 GPM, oil flow at 2500 PSI.

***Perform the following checks every 25,000 miles:
(or annually - whichever comes first)***

AIR BRAKE SYSTEM

- A. Inspect the brake linings and reline if necessary.
- B. Check the brake drum for distortion, heat checking, out of roundness and/or scoring.
- C. Remove the brake shoes to examine bushings and anchor pins.
- D. Examine the brake cam, brake cam rollers and/or brake shoe wear plate for wear.

Every 50,000 miles or yearly, perform the following checks:

AIR BRAKE SYSTEM

- A. Inspect the brake chambers. Replace if damaged.

CAUTION: WE DO NOT RECOMMEND DISASSEMBLING SPRING BRAKE CHAMBERS. REPLACE THE ENTIRE SPRING BRAKE.

- B. Check slack adjuster bushing and brake chamber yoke pin for wear.

NOTE: PERFORM THE ABOVE MAINTENANCE ON THE MINIMUM SCHEDULE, WHETHER ON THE MILE OR CALENDAR BASIS, WHICHEVER COMES FIRST.

CAUTION: BE CERTAIN THE PRECEDING CHECKLIST INSPECTIONS HAVE BEEN PERFORMED.

AIR PRESSURE BRAKE SYSTEM

The air system of a trailer is entirely dependent upon the air brake system of the towing vehicle for its air supply and control. Therefore, the air brake system of the towing vehicle must be in good condition, or it will be impossible to obtain good brake performance on the trailer.

HYDRAULIC PRESSURE SYSTEM

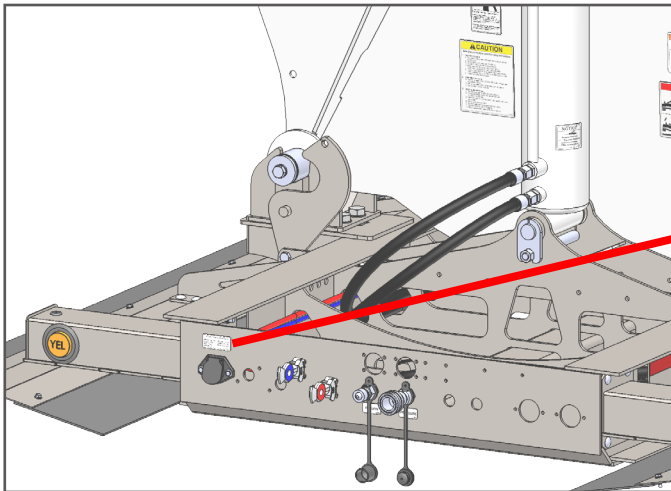
The hydraulic systems of these trailers are entirely dependent upon the hydraulic system of the towing vehicle for its oil supply, pressure and control. Therefore, the hydraulic pressure system of the towing vehicle must be in good condition, with steady clean oil supply for proper dumping performance on the trailer.

NOTE: CLEAN HYDRAULIC SYSTEM AT LEAST ONCE PER YEAR.

The lights and wiring system on every Demco Side Dump trailer meet or exceed all federal and state requirements in effect at the time of manufacture. Wherever required by law, lights and reflectors are marked by the manufacturer to indicate the appropriate specifications with which each complies.

For optimum performance and long life from the trailer's lights and wiring, follow this inspection procedure:

- Clean all reflectors and lights. See that all lights burn properly. Replace all burned out lights and broken reflectors. Factory approved replacement parts should be used, and replacement bulbs of equal candle power should be used for safety.
- **WARNING!** Use only a 12 volt DC battery for checking lights or anti-lock systems. Never use battery chargers or transformers.
- Inspect all wiring to see that it is not frayed, and that it is properly supported and protected, with all connections tight. See that the light cable is clean and long enough to permit jackknife parking. Be certain that the cable is supported so that it cannot be pinched or entangled by the lower and upper couplers. Keep the 7-way plug on the light cable and the 7-way connector on the trailer free of corrosion.
- Never replace fuses or breakers with metal foil or other devices.
- A decal is located near the 7-way connector. You may trace individual electrical circuits by the wire colors indicated. Refer to the schematic drawing and the decal for conductor number and wire colors.

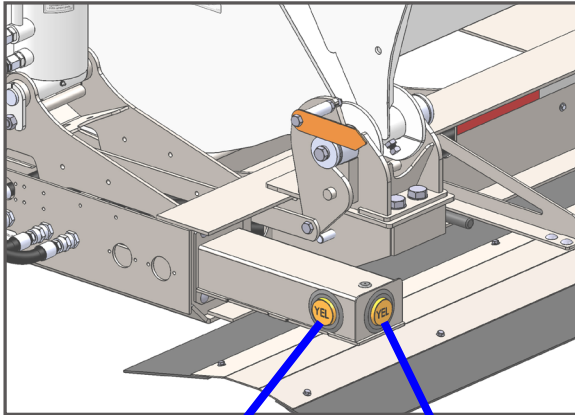


Wiring Harness Color Code	
WHITE - Ground	YELLOW - Lt Turn
BLACK - Marker	GREEN - Rt Turn
RED - Stop	BLUE - Auxiliary
BROWN - Tail	

AP 3674

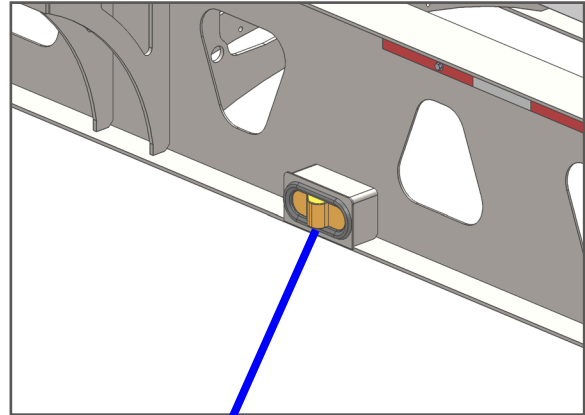
1AQAP3674
WIRING HARNESS COLOR CODE DECAL

BOM ID	Qty	Item No	Description
1	1	1AEAP4301	ABS LIGHT BRACKET
2	1	1AEAP4302	ABS LIGHT
3	5	1AEAP4310	LAMP, LED, M/C, RED, 2-1/2"
4	4	1AEAP4311	LAMP, LED, M/C, YELLOW, 2-1/2"
5	9	1AEG0010700	2-1/2" ROUND GROMMET ONLY
6	1	1AEL0015208	LICENSE LAMP
7	1	1AEL0015730	BRACKET-BLACK
8	2	1AEL060215Y	MIDSHIP TURN LAMP
9	8	1AEL0607003	6" OVAL LIGHT GROMMET
10	6	1AEL6050000	LAMP, LED, S/T/T, RED, 6" OVAL

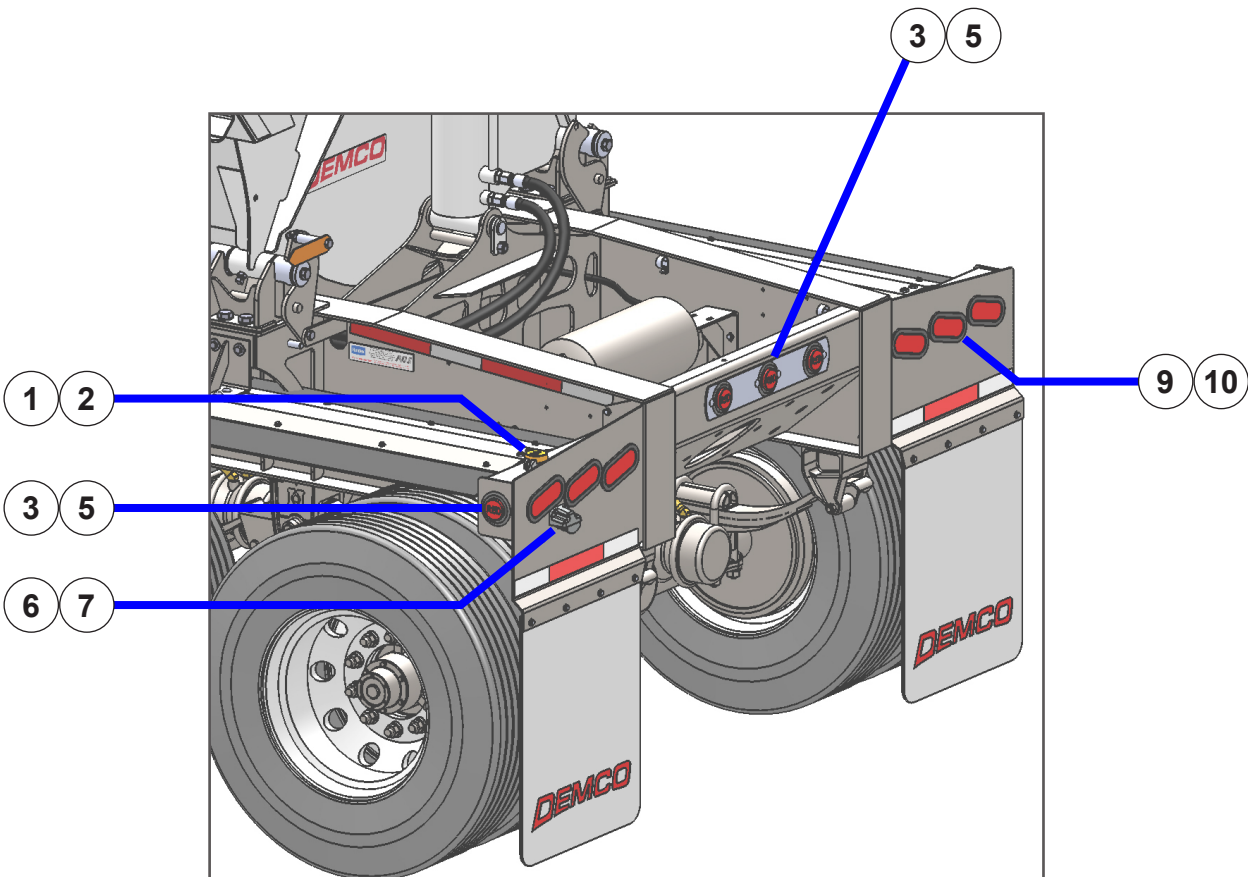


4 5

4 5

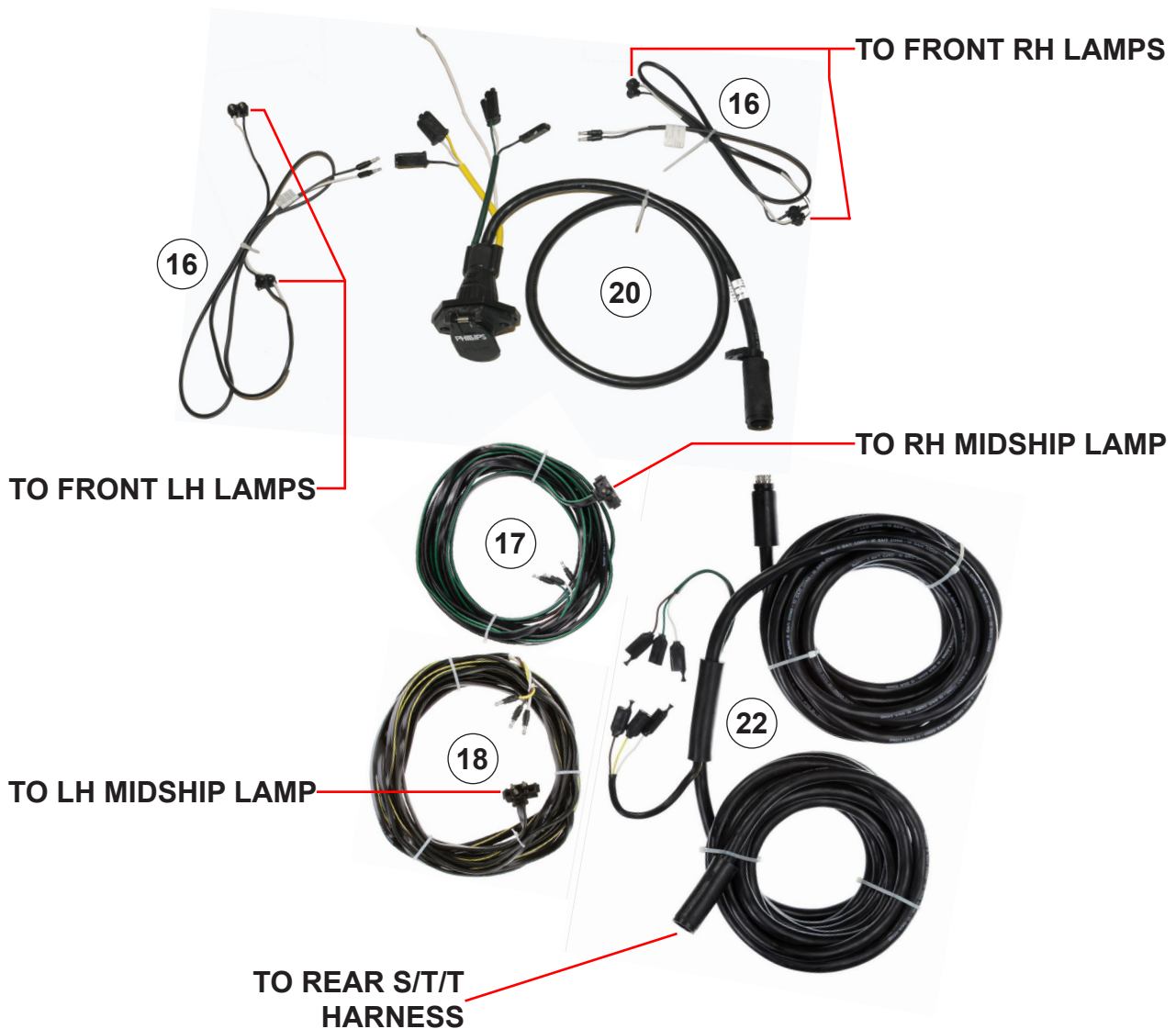


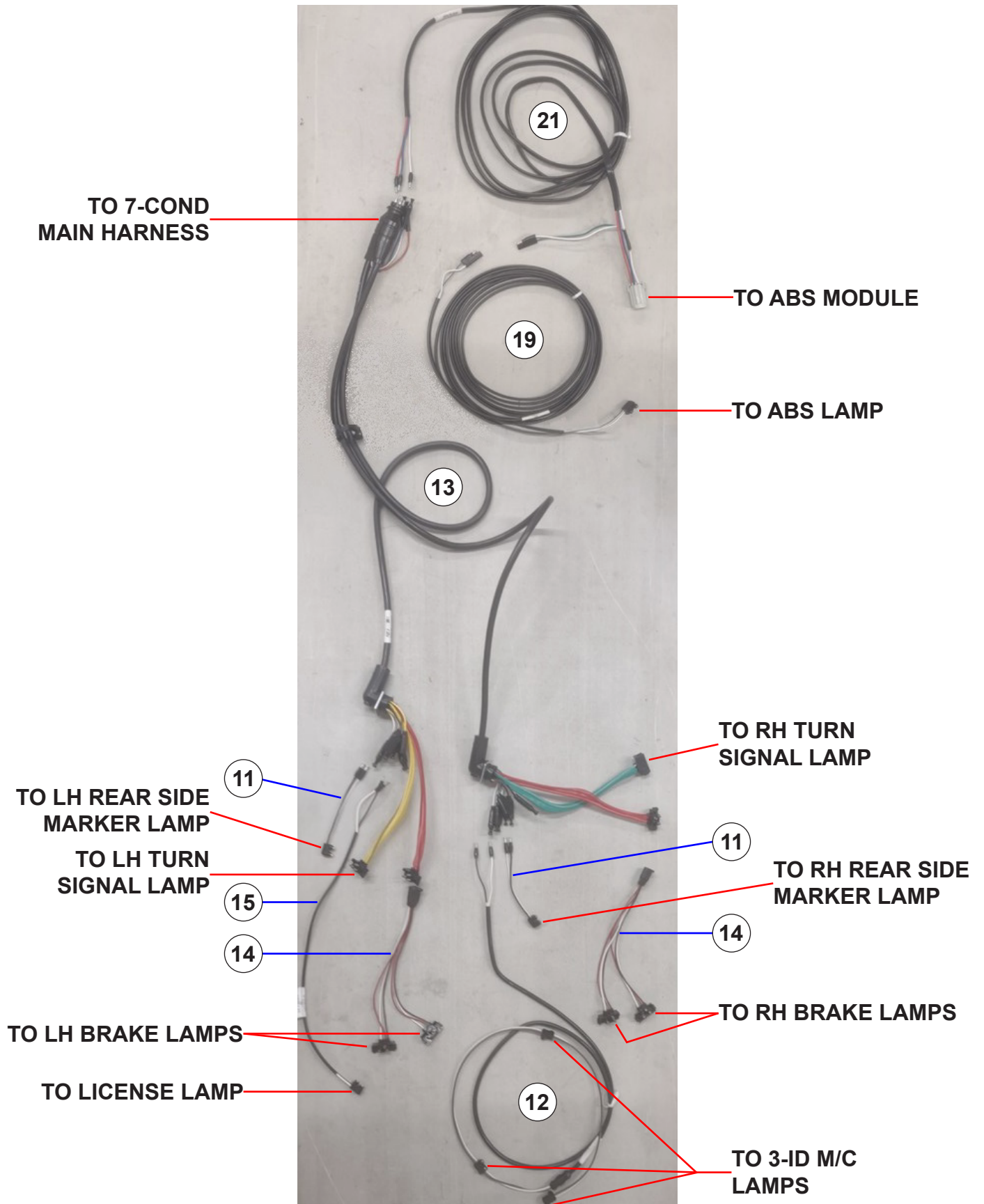
8 9

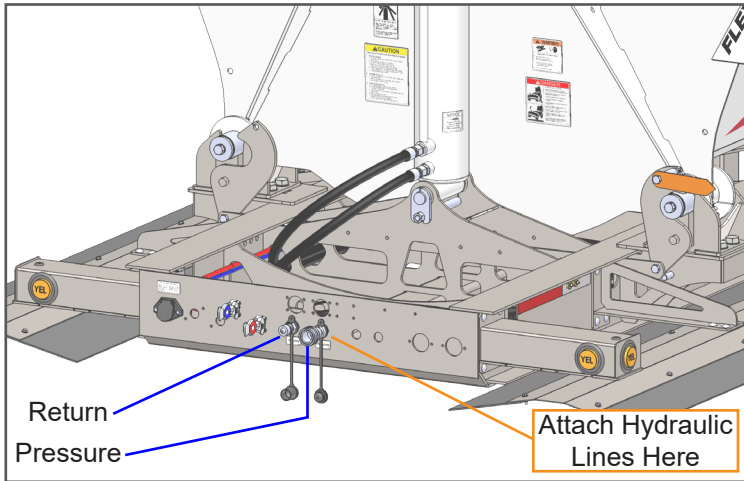


Electrical Harness (All Models)

BOM ID	Qty	Item No	Description
11	2	1AEP0094972	HARNESS, M/C PLUG, WITH M-BULLETS
12	1	1AEX0088300	HARNESS, ID 3 PLUG, LOWER, 60"
13	1	1AEX0088911	HARNESS, REAR S/T/T, RH & LH
14	2	1AEX0094932	HARNESS, 2-PLUG Y-ADAPTER
15	1	1AEX3030024	HARNESS, LICENSE LAMP, 24"
16	2	1AEX3270084	HARNESS, FRONT M/C, 84"
17	1	1AEX3550096	HARNESS, LH MIDSHIP LIGHT, 96"
18	1	1AEX3560048	HARNESS, RH MIDSHIP LIGHT, 48"
19	1	1AEX5220312	HARNESS, ABS JUMPER, 312"
20	1	1AEX8502027	HARNESS, FRONT NOSE W/ BL-WHT DROPOUT
21	1	1AEX8810240	HARNESS, ABS POWER, 240"
22	1	1AEX9751552	HARNESS, 7 COND MAIN W/BRKOUT, 552"







WARNING Hydraulic fluid escaping under pressure can have enough force to penetrate the skin. Hydraulic fluid may also infect a minor cut or opening in the skin. If injured by escaping fluid, see doctor at once. Serious infection or reaction can result if medical treatment is not given immediately. Make sure all connections are tight and that hoses and lines are in good condition before applying pressure to the system. Relieve all pressure before disconnecting the lines or performing other work on the hydraulic systems.

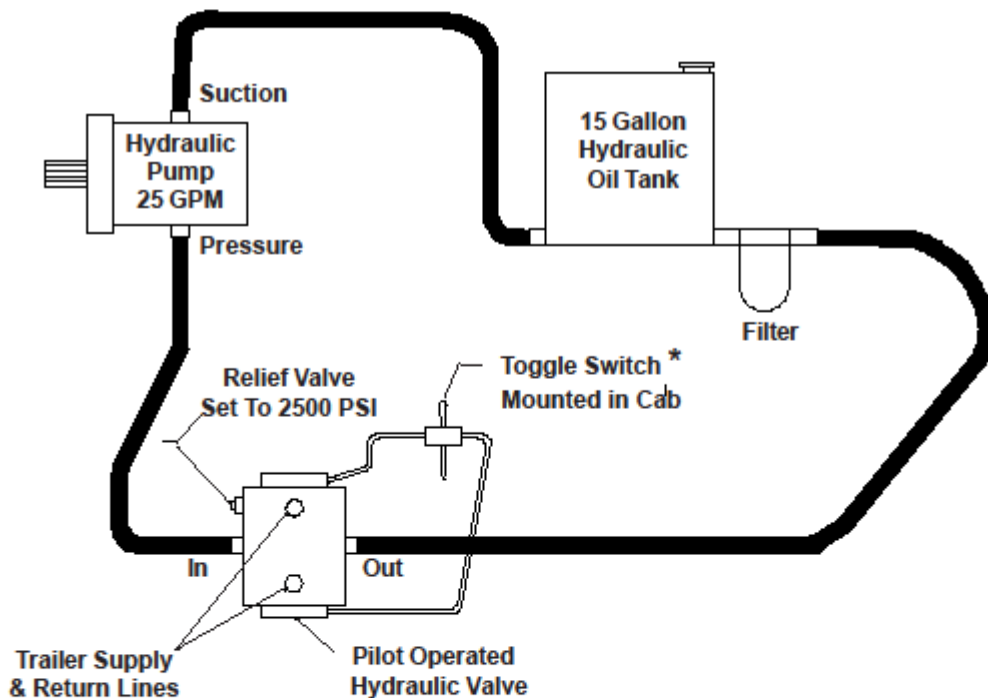
Truck-Tractor Hydraulic Systems

Efficient, safe operation of side dump trailers require that the tractor hydraulic system provide a clean, high pressure, high volume oil supply. The hydraulic pump pressure should be set at 2500 PSI with a minimum output of 25 GPM supply and a minimum 15 gallon filtered and strained reservoir.

NOTE:

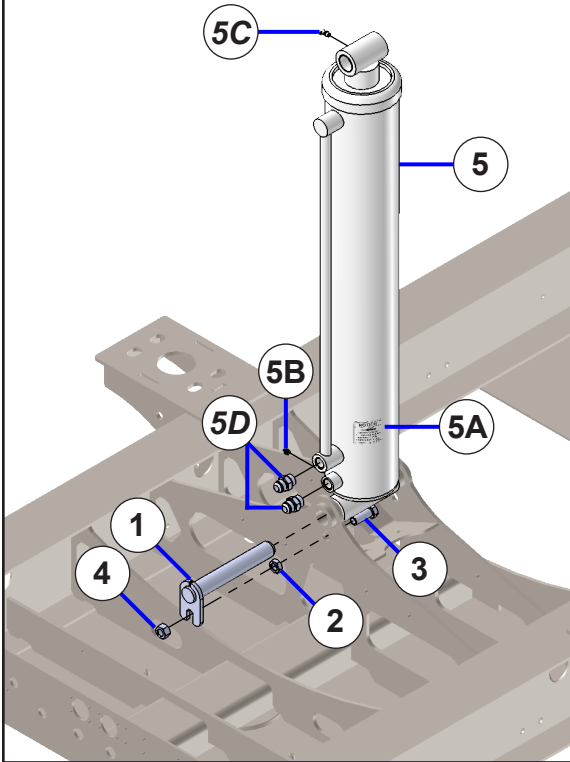
Hydraulic Oil Filter should be Changed every 25,000 miles or yearly, which ever comes first and hydraulic system flushed every 50,000 miles with pressure and flow rates checked.

Generic Tractor Hydraulic System

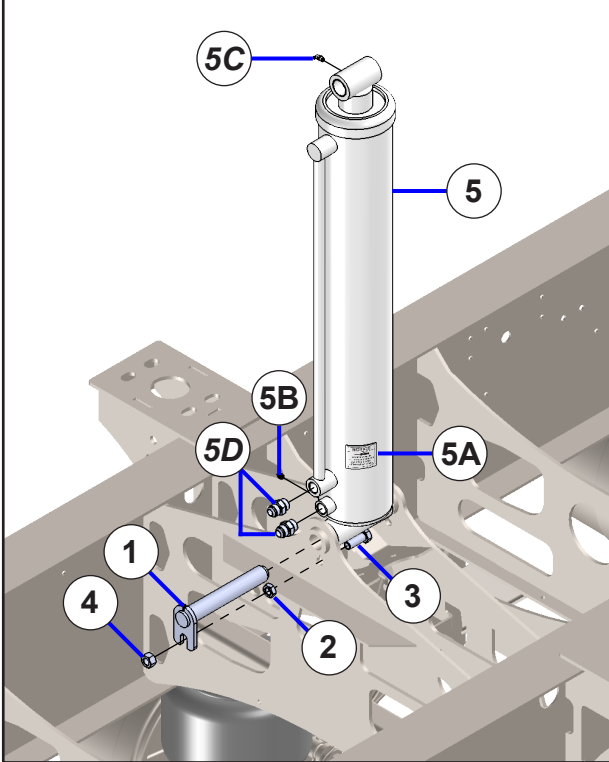


Hydraulic Cylinders And Bottom Cylinder Pins (All Models)

**GENERIC
DRAWING
(FRONT)**

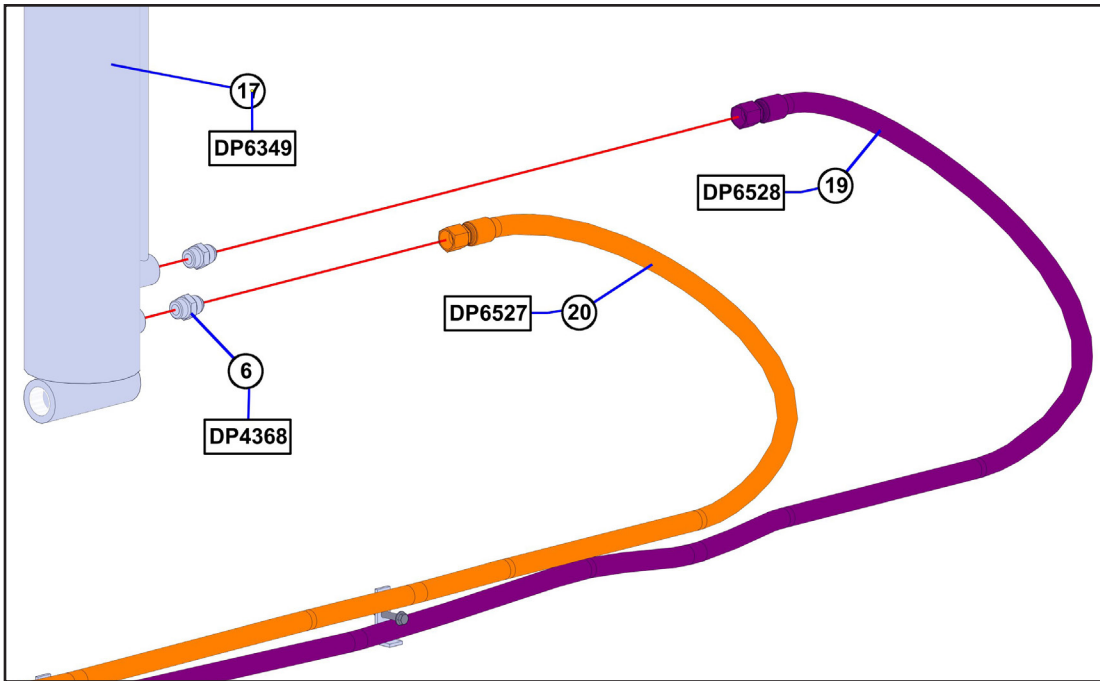


**GENERIC
DRAWING
(REAR)**

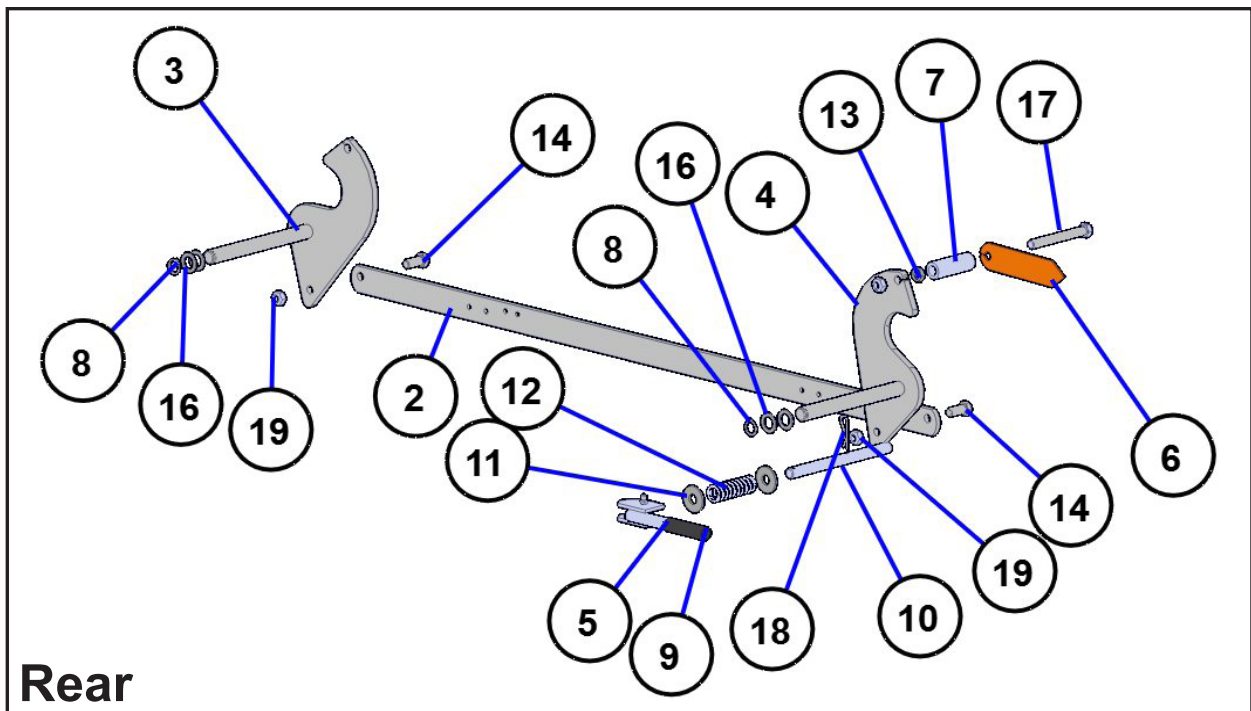
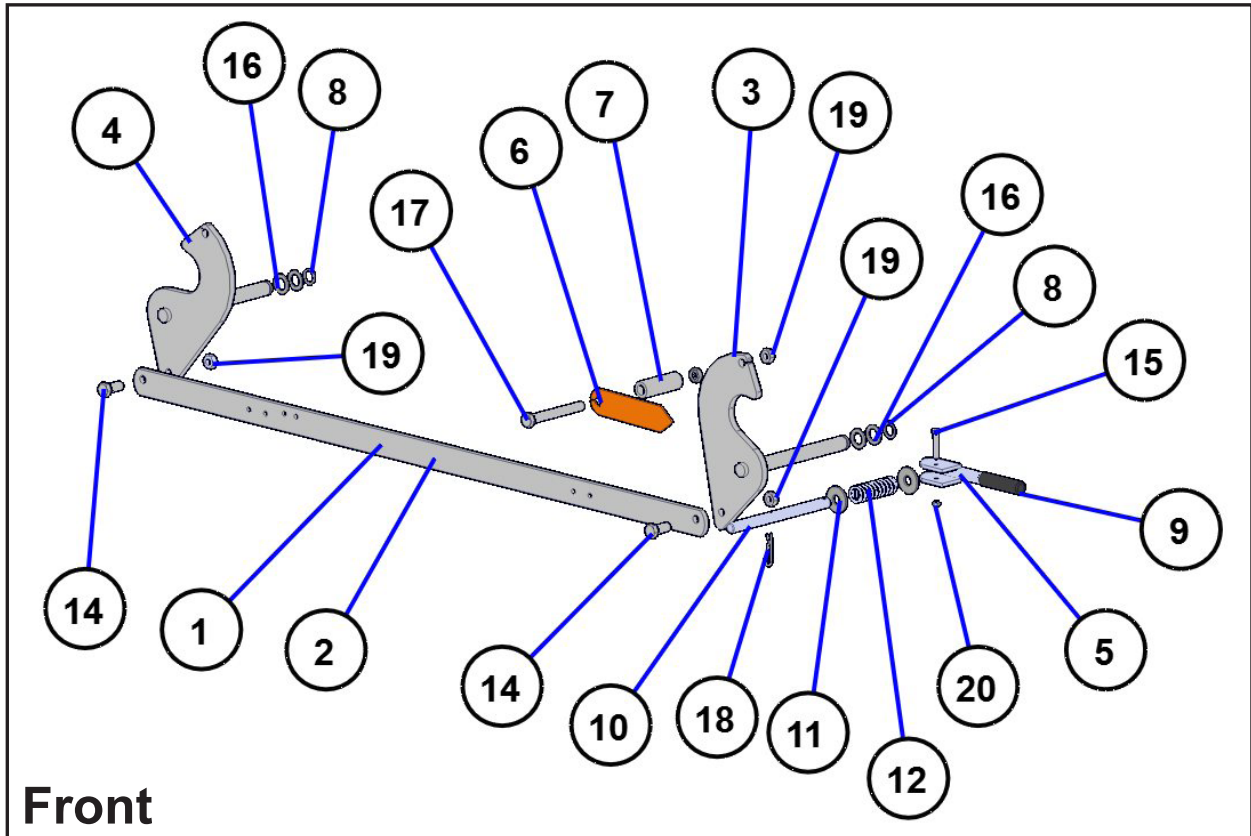


BOM ID	Qty	Item No	Description
1	2	5CAM9019	PIN, CYLINDER, 1-1/2" X 9-5/8"
2	2	1AFBP3107	NUT, HEX JAM, 3/4"-10, GR 2, PLATED
3	2	1AFBP3139	HEX CAP SCREW, 3/4"-10 X 2", GR 5, PLATED
4	2	1AFC05L0005	3/4 CENTERLOCK NUT
5	2	1AYDP6347	CYLINDER, HYDRAULIC, 5" X 36", WITH DROP TUBE
5	2	1AYDP6349	CYLINDER, HYDRAULIC, 6" X 36", WITH DROP TUBE
5A	2	1AQAP2986	DECAL, GREASE TRAILER WEEKLY, 2-3/4"W X 3"T
5B	2	1AKZAAA0000	GREASE ZERK, 1/8" NPT
5C	2	1AFBP3654	GREASE ZERK, 1/8" MP X 45 DEGREE ELBOW
5D	4	1AKDP4368	ADAPTER, 12MJIC-12MSAE, STRAIGHT, 6400-12
*	1	1AKDP6603	SEAL KIT 5" WETHERELL CYLINDER
*	1	1AKDP6569	SEAL KIT 6" WETHERELL CYLINDER

*Not shown in part diagrams.

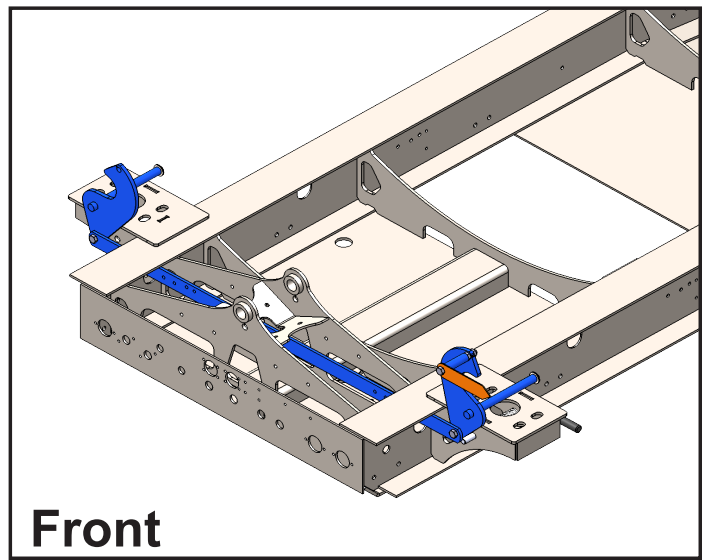
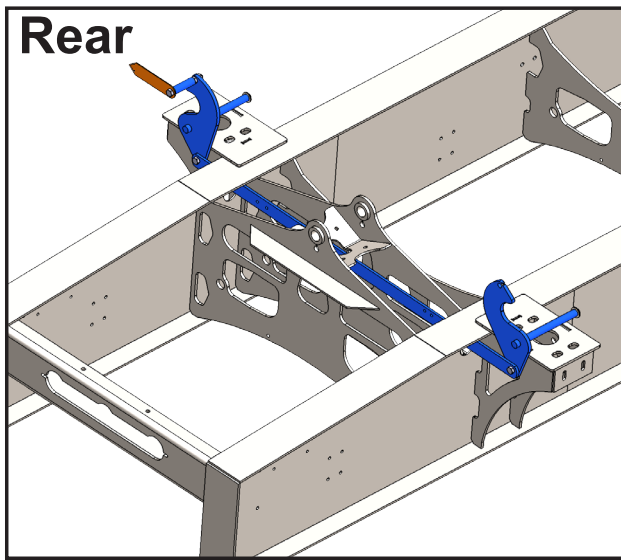


BOM ID	Qty	Item No	Description
1	2	DP6307	COUPLING, 12FP-12FP, 5000-12
2	3	DP6495	BULKHEAD ADAPTER WITH NUT, 12MP-12MJ, 2706-LN-12-12
3	12	BP3055	WASHER, FLAT, 1/4", PLATED
4	4	BP3587	NUT, HEX, 1/4" NYLOCK
5	2	BP3589	1/4"-20 x 2-1/2" GRADE 8
6	9	DP4368	ADAPTER, 12MJIC-12MSAE, STRAIGHT, 6400-12
7	1	DP6303	VALVE, PROPORTIONAL DIVIDER, PRINCE
8	1	DP6538	ADAPTER, 12MJ-12MSAE 90, 6801-12
9	13	AM8053	HOSE RETAINER, SINGLE
10	13	BP3612	NUT, HEX LOCK, 3/8"-16, TOP LOCK
11	13	BP3685	BOLT, FLNG HEAD, 3/8"-16 X 2, GRADE 8, PLATED
12	1	DP6301	COUPLER, QUICK, MALE, 3/4" NPT
13	1	DP6495	BULKHEAD ADAPTER WITH NUT, 12MP-12MJ, 2706-LN-12-12
14	2	BP3588	HEX CAP SCREW, 1/4"-20 X 3", GRADE 8, PLATED
15	1	DP6302	VALVE, DOUBLE RELIEF, PRINCE, H-L
16	1	DP6557	TEE, 12MJ-12MSAE-12MJ, 6804-12
17	2	DP6349	CYLINDER, HYDRAULIC, 6" X 36", WITH DROP TUBE
18	2	DP6526	HOSE, HYDRAULIC, 3/4" X 40", 12FJX-12MP
19	1	DP6527	HOSE, HYDRAULIC, 3/4" X 460", 12FJX-12FJX
20	1	DP6528	HOSE, HYDRAULIC, 3/4" X 435", 12FJX-12FJX
21	1	DP6534	HOSE, HYDRAULIC, 3/4" X 62", 12FJX90-12FJX
22	1	DP6535	HOSE, HYDRAULIC, 3/4" X 87", 12FJX90-12FJX
23	2	DP6547	HOSE, HYDRAULIC, 3/4" X 68", 12FJX-12FJX
24	1	DP6558	HOSE, HYD, 3/4" X 18-1/2", 12FJX-12FJX
25	1	DP6300	COUPLER, QUICK, FEMALE, 3/4" NPT

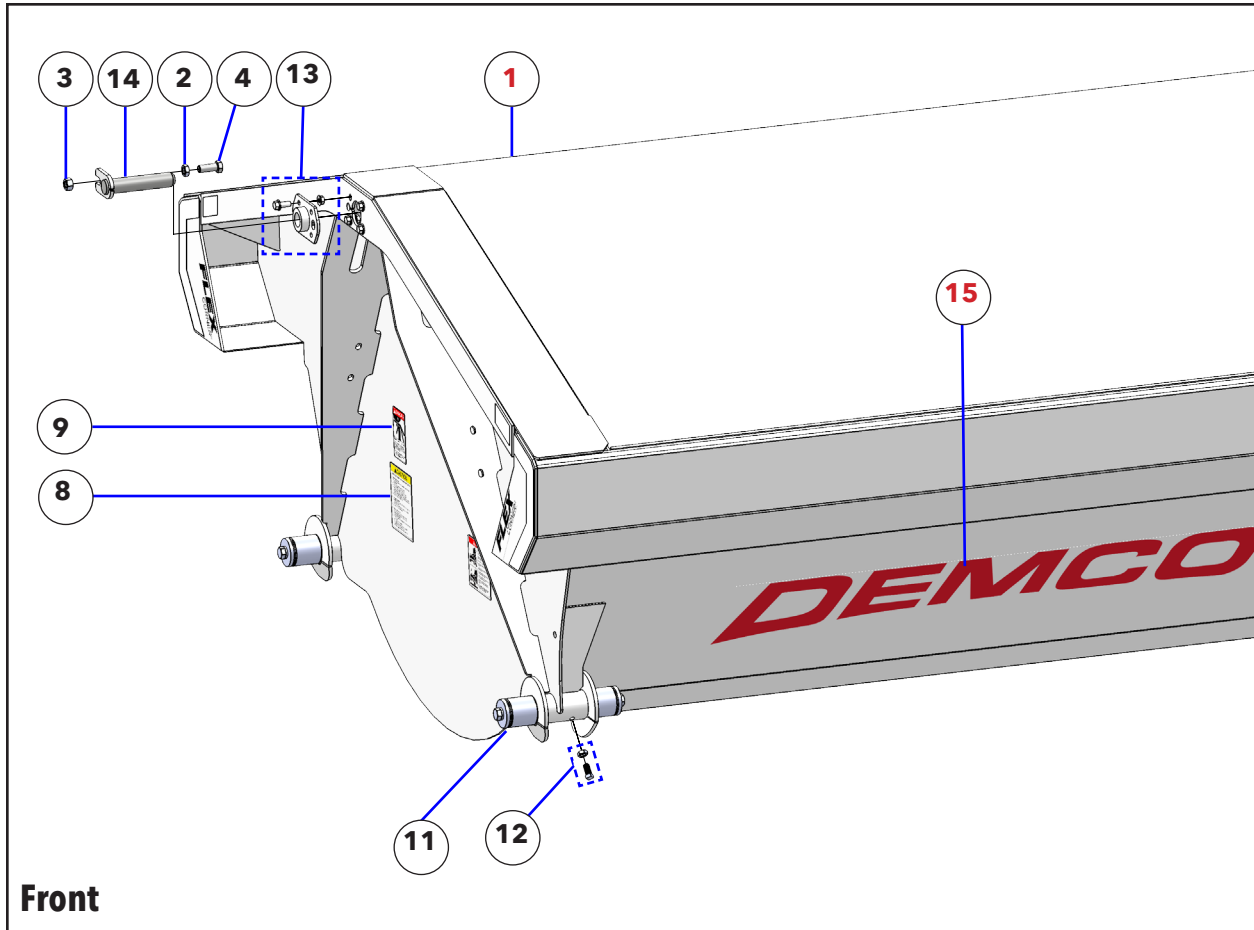


Pivot Latch Components (All Models)

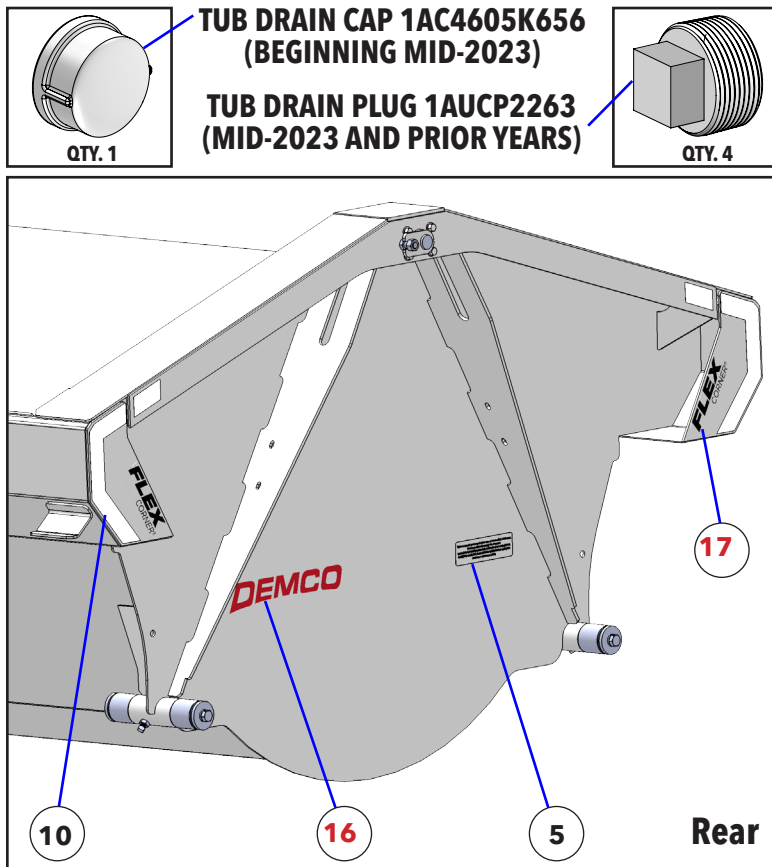
BOM ID	Qty	Item No	Description
1	1	4CPKG00113	PACKAGE, PIVOT LATCH, 2001 SIDE DUMP
2	2	3CAM9078	LATCH CONNECTOR
3	2	3CAM9123	TUB PIVOT LOCK, LEFT HAND FRONT/RIGHT HAND REAR
4	2	3CAM9124	TUB PIVOT LOCK, RIGHT HAND FRONT/ LEFT HAND REAR
5	2	3CAM9125	LATCH LOCK HANDLE
6	2	3CAM9155	LATCH INDICATOR FLAG
7	2	3CAM9156	SPACER
8	4	3CAP2407	SNAP RING, 1" EXTERNAL, HEAVY DUTY
9	2	3CAP4208	GRIP, .843" ID X 4" OAL
10	2	1AFBM3727	PIN, LATCH LOCK, 3/4" X 10-3/8" OAL
11	4	1AFBP3033	WASHER, FLAT, 3/4", PLATED, STANDARD, TYPE A, SERIES W
12	2	1AFBP3066	COMPRESSION SPRING RIGID HITCH
13	2	1AFBP3080	NUT, HEX JAM, 5/8"-11, GRADE 2
14	4	1AFBP3097	HEX CAP SCREW, 5/8"-11 X 1-1/2", GRADE 5, PLATED
15	2	1AFBP3110	HEX CAP SCREW, 5/16"-18 X 2", GRADE 5, PLATED
16	8	1AFBP3215	MACHINERY BUSHING, 1-1/2" OD X 1" ID, 14 GAUGE, PLATED
17	2	1AFBP3298	HEX CAP SCREW, 5/8"-11 X 5-1/2", GRADE 5, PLATED
18	2	1AFBP3504	PIN, HAIRCLIP, 1/8"
19	6	1AFBP3615	NUT, HEX LOCK, 5/8"-11, GRADE 8, PLATED
20	2	1AFBP3644	NUT, HEX LOCK, 5/16"-18, TOP LOCK



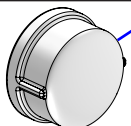
Tub Components



Front

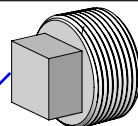


Rear



**TUB DRAIN CAP 1AC4605K656
(BEGINNING MID-2023)**

QTY. 1



**TUB DRAIN PLUG 1AUCP2263
(MID-2023 AND PRIOR YEARS)**

QTY. 4

⚠ DANGER

To prevent serious injury or death:

- Before performing maintenance between the frame rails, the trailer should be hooked to tractor on a level surface, fully dumped, then hydraulic hoses disconnected.
- If service requires the tub to be partially dumped refer to owner's manual for proper safety procedures.

AP 2011

1AQAP4361

9

⚠ DANGER

To prevent serious injury or death:

- Close and lock tub latches on pivot side. Open and lock tub latches on opposite side. Operator must remain at controls in tub during dumping operations.
- Stand clear of tub body when operating.
- Stand clear of load during dumping operation.
- Do not attempt to dump load on uneven or unstable ground.
- Do not dump load too slowly. Tub should dump in 25 seconds or less.
- Do not stop cylinder extension in middle of cycle; equipment may spill.
- Cylinders must be fully retracted while vehicle is unattended or unhooked from tractor.
- Do not perform maintenance on tub body without properly blocking body and cylinders to prevent lowering.

AP 2016

1AQAP3669

7

⚠ CAUTION

Side Dump Checklist and Operating Instructions

1. First Time Hoistup

- Connect air lines and set trailer brakes after backing.
- Check trailer coupling on fifth wheel.
- Connect light cord and check all lights.
- Close and lock latches on one side of tub.
- Open and lock latches on other side of tub.
- Connect hydraulic lines and fill tank and verify several times in hydraulic circuit, release hydraulic fluid. Check wheel lubrication level.

2. 100 Mile Check List

- Tighten all nuts/bolts (300 to 350 ft. lbs. torque) and re-lubricate.
- Check mounting bolts on landing gear or stands.
- Check wheel nuts for torque.

3. Ongoing Maintenance

- Read, wear, properly adjust and maintain.
- Check wheel lubrication for proper oil level. DO NOT OVERLUBRICATION.
- Check hydraulic cylinder pivots, tub pivots and brake assemblies.
- Check for loose air lines.
- Load should be evenly distributed on trailer.
- DO NOT OVERLOAD TRAILERS.
- Check suspension bolts at 90-day intervals.

AP 1011

1AQAP3670

8

⚠ WARNING

HIGH-PRESSURE FLUID HAZARD

To prevent serious injury or death:

- Relieve pressure on system before repairing or adjusting or disconnecting.
- Wear proper hand and eye protection when searching for leaks. Use wood or cardboard instead of hands.
- Keep all components in good repair.

AP 2016

1AQAP2914

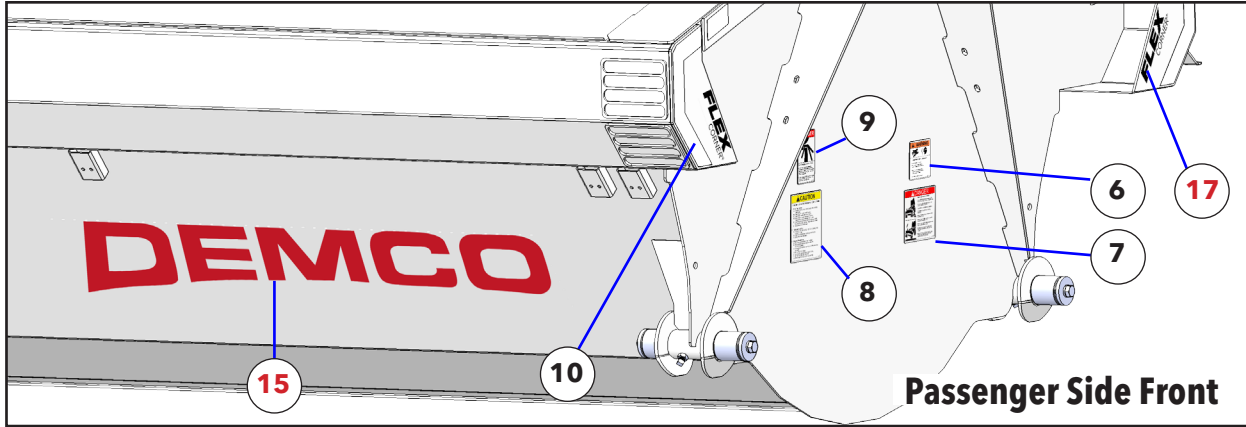
6

This product is protected under one or more of the following Demco Patents:
 5,480,214; 5,845,971; 6,257,670 B1; 6,402,453 B1;
 6,425,726; 6,426,264; 6,466,340 B2; 6,520,589 B2; 6,554,364
 and other patents pending

5

1AQAP2491

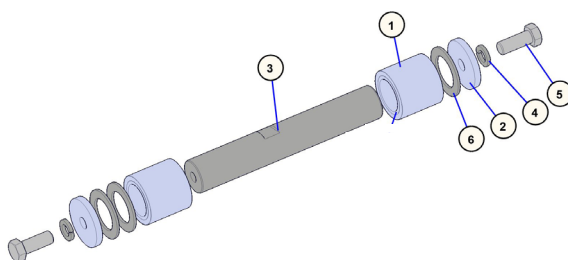
Tub Components



Passenger Side Front

BOM ID	Qty	Item No	Description
1	1	5C000278	MY24 37' TUB, 1/4" AR450
1	1	5C000309	MY24 37' TUB, 3/16" AR450
2	2	1AFBP3107	NUT, HEX JAM, 3/4"-10, GR 2, PLTD
3	2	1AFC05L0005	NUT, HEX LOCK, 3/4"-10, GR 2, PLTD
4	2	1AFC12LBAH8	HEX BOLT, 3/4-10 x 2-1/2, GR 8, YELLOW ZINC
5	1	1AQAP2491	DECAL, PATENT PROTECTION, 8-1/2"W X 2-1/2"L
6	1	1AQAP2914	DECAL, WARNING (HIGH-PRESSURE FLUID) 4"W X 4"L
7	1	1AQAP3669	DECAL, DANGER (LOAD DUMPING SAFETY) 8"W X 5-1/2"L
8	1	1AQAP3670	DECAL, CAUTION (SIDE DUMP CHECKLIST & INST) 6"W X 7"L
9	1	1AQAP4361	DECAL, DANGER (FRAME AREA MAINT) 3"W X 6-1/4"L
10	4	1AQAT000000	WHITE CONSPICUITY TAPE, 2" WIDE
11	4	4CFK2005	PIVOT PIN & BUSHING KIT (See sub-assembly parts list below)
12	4	4CAAM7991	ASSEMBLY, SET SCREW & JAM NUT, 5/8"-11 X 1-1/4", PLTD
12A	4	1AFBP3080	NUT, HEX JAM, 5/8"-11, GR 2, PLTD
12B	4	1AFBP3673	SET SCREW, SQ HEAD, 5/8"-11 X 1-1/4", PLTD
13	2	5C000015	ADJUSTABLE TOP CYLINDER MOUNT ASSEMBLY
13A	4	1AFC08H0000	NUT, HEX SERRATED FLANGE, 1/2"-13, PLTD
13B	4	1AFC37HAAD5	HEX CAP SCREW, 1/2"-13 X 1-1/4", SERRATED FLANGE HD, PLTD
14	2	5CAM9057	PIN, CYLINDER, 1-1/2" X 7-1/8", ANTI-ROTATION, PLTD
15	2	DE21026	DECAL, DEMCO LOGO, X-LARGE RED
15	2	DE21027	DECAL, DEMCO LOGO, X-LARGE WHITE
16	1	DE21004	DECAL, DEMCO LOGO, SMALL WHITE
16	1	DE21005	DECAL, DEMCO LOGO, SMALL RED
17	4	DE21024	DECAL, FLEX CORNER, BLACK
17	4	DE21025	DECAL, FLEX CORNER, WHITE,

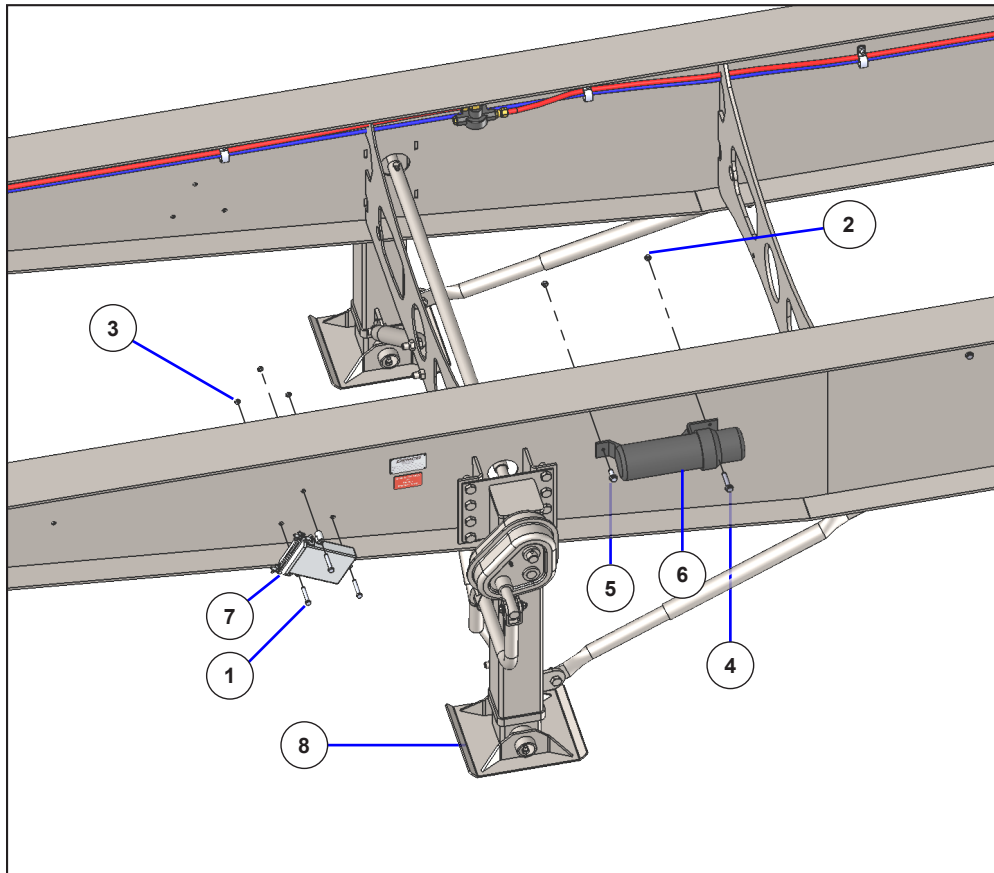
NOTE: A **RED BOM ID#** indicates an option.



4CFK2005 PIVOT PIN & BUSHING KIT

BOM ID	Qty	Item No	Description
1	2	4CAAM7990	ASSEMBLY, TUB PIVOT BEARING
2	2	3CAM9026	WASHER, PIVOT PIN
3	1	1AUAM9136	PIVOT PIN, 2" X 12-1/8" OAL, PLTD
4	2	1AF015L0000	WASHER, LOCK, 3/4", PLTD
5	2	1AFBP3139	HEX CAP SCREW, 3/4"-10 X 2", GR 5, PLTD
6	3	1AFBP3599	MACHINERY BUSHING, 3" OD X 2" ID X 10 GA, PLTD

**Document Box, Manual Holder,
and Landing Gear (All Models)**

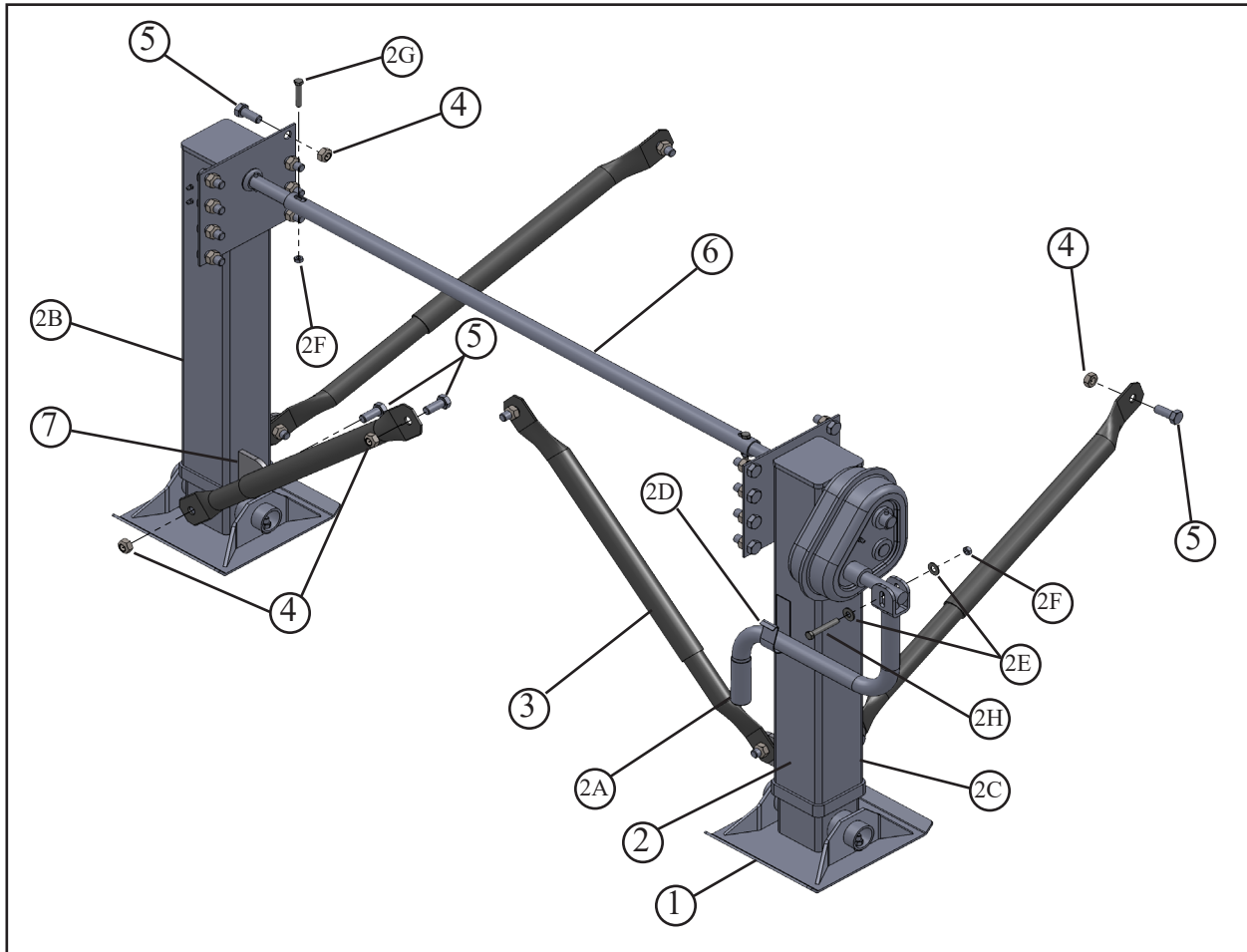


BOM ID	Qty	Item No	Description
1	3	1AFBP3601	HEX CAP SCREW, 5/16"-18 X 2", GR 5, PLTD
2	2	1AFBP3612	NUT, HEX LOCK, 3/8"-16, TOP LOCK, PLTD
3	3	1AFBP3644	NUT, HEX LOCK, 5/16"-18, TOP LOCK, PLTD
4	1	1AFBP3685	BOLT, FLANGE HEAD, 3/8"-16 X 2", GR 8, PLTD
5	1	1AFBP3692	BOLT, FLANGE HEAD, 3/8"-16 X 1", GR 8, PLTD
6	1	1AU0000011	MANUAL HOLDER, BLACK
7	1	1AUAP3811	JAMES KING DOCUMENT BOX, NO. 300
8	1	4CPKG00112	PACKAGE, LANDING GEAR, SIDE DUMP

LANDING GEAR OPERATING GUIDELINES

1. Always raise landing gear completely before moving the trailer.
2. Always use chock blocks or lock trailer brakes when uncoupling or coupling tractor and trailer on the road or in the terminal area. Chock as required for unusual conditions.
3. Always place sand shoes on a plank or smooth surface for flotation to prevent sinking into soil or soft asphalt when a loaded trailer is uncoupled from a tractor.
4. Always lower landing gear to the ground before disconnecting the tractor from the trailer.
5. Always store the crank in the crank holder.
6. Maintain landing gear as outlined in the owner's manual on page 46.

NEVER force landing gear supports beyond their normal raised or lowered positions.

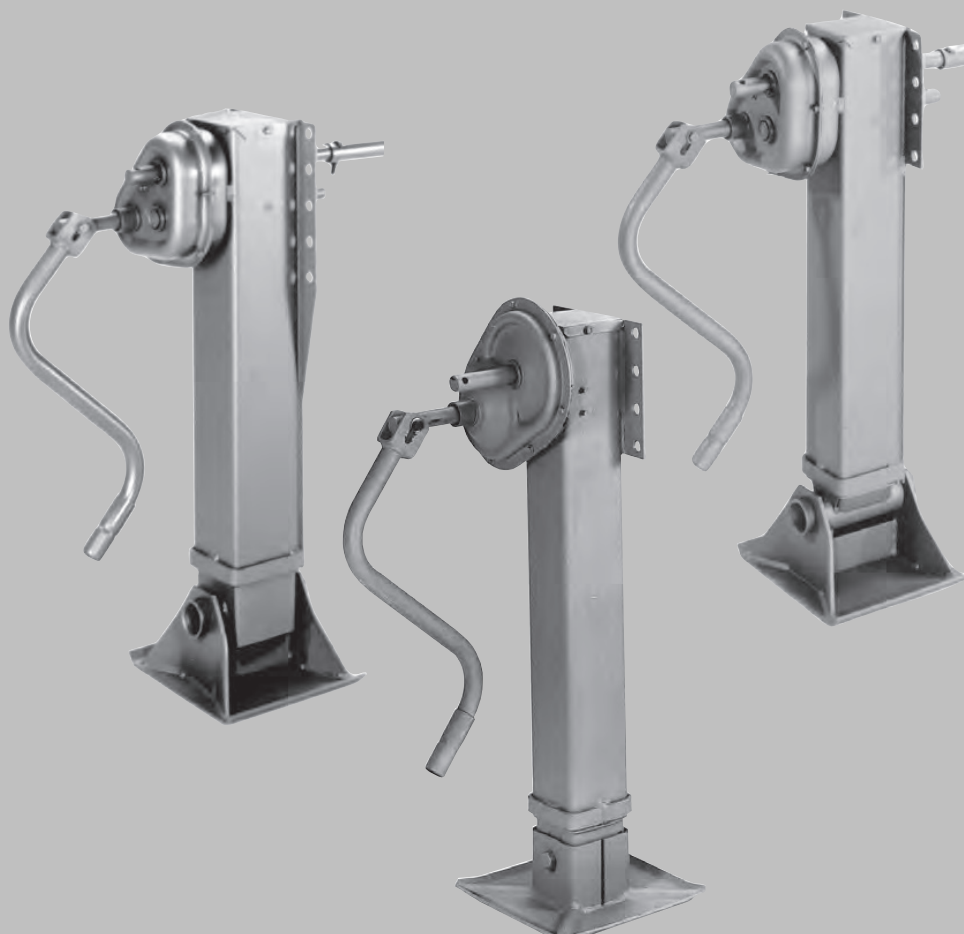


BOM ID	Qty	Item No	Description
1	1	4CPKG00112	PACKAGE, JACK, 2001 SIDE DUMP
2	1	1AJAP3503	JACK, LANDING LEG AND GEAR SET
2A	1	1AJAP3504	CRANK HANDLE
2B	1	1AJAP4098	JACK LEG, CURB SIDE
2C	1	1AJAP4099	JACK LEG, ROAD SIDE
2D	1	1AJAP4101	CRANK HANDLE CLIP
2E	2	1AFBP3015	WASHER, FLAT, 3/8", PLATED
2F	3	1AFBP3612	NUT, HEX LOCK, 3/8"-16, TOP LOCK
2G	2	1AFBP3625	HEX CAP SCREW, 3/8"-16 X 2", GRADE 8, PLATED
2H	1	1AFBP3626	HEX CAP SCREW, 3/8"-16 X 2-1/2", GRADE 8, PLATED
3	4	1ASAP3505	ADJUSTABLE BRACE
4	24	1AFBP3615	NUT, HEX LOCK, 5/8"-11, GRADE 8, PLATED, UTC
5	24	1AFBP3617	HEX CAP SCREW, 5/8"-11 X 1-1/2", GRADE 8, PLATED
6	1	1AU00000146	CROSS SHAFT, SHORT
7	4	3C000371	JACK BRACE MOUNT TAB

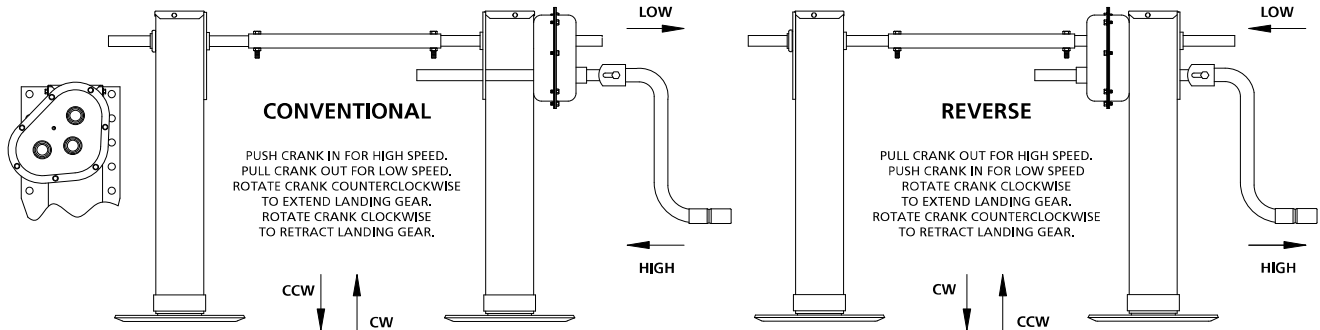
Operating Instructions and Maintenance Procedures

Landing Gear

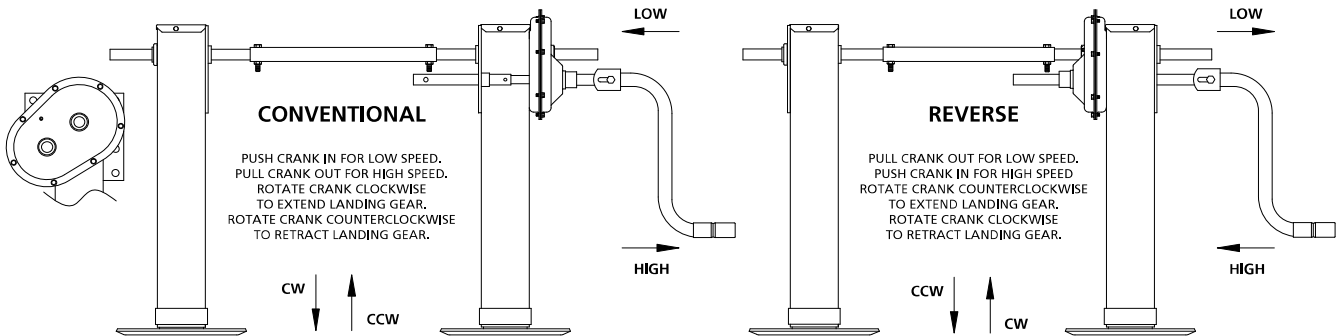
- Challenger Series - Model 50000
- Contender Series - Model 51000
- Fast Gear Series - FG4000



OPERATION Model 51,000 (8 Bolt) Model 50,000 (10 Bolt)



OPERATION Fast Gear



TO REMOVE TRACTOR FROM TRAILER:

1. Position the trailer so that the landing gear shoes will rest on a firm level surface when landing gear is extended.
2. Shift landing gear to high gear and extend landing gear until shoes contact ground.
3. Shift landing gear to low gear and lift trailer approximately (1) inch.
4. Unlock fifth wheel, uncouple air lines, and drive the tractor out from under the trailer.

TO CONNECT TRACTOR TO TRAILER:

1. Ensure that the trailer is at a sufficient height to allow coupling of the tractor and trailer.
2. Connect air lines from tractor to trailer, then lock trailer brakes and back tractor under trailer, then lock fifth wheel.
3. Retract landing gears to fully retracted position.
4. Store crank on the crank holder.

LUBRICATION – STANDARD:

When manufactured, the landing gears have been adequately greased with high quality lubricant. It will be necessary to periodically supplement this lubricant to maintain satisfactory performance. Use a grease with the appropriate temperature range for your operating conditions. Gearbox leg has (3) grease fittings; leg without gearbox has (2) grease fittings.

1. Prior to lubrication, extend legs approximately (2) inches from maximum retracted position.
2. For optimum performance, every (6) months lube both legs at all grease fittings.
3. Add 1/4-lb grease at each grease fitting.

LUBRICATION – NoLube™:

No additional grease is required.

TROUBLESHOOTING:

In normal trailer operating service, certain components such as shafts, bushings, bearings, gears, and screw and nut assemblies are subject to wear and will require replacement.

However, under extreme usage condition exceeding AAR-931 Durability Requirements the same components could require replacement more frequently.

Landing gears hard to crank—check the following:

PROBLEM	SOLUTION
1. Cross driveshaft in a bind or tight between shafts.	Bolts must be loose and cross driveshaft free to move in slots provided.
2. To determine which leg turns hard	Remove cross driveshaft bolt and crank each leg on the jack shaft.
3. Inadequate lubrication.	(See Lubrication Instructions).
4. Alignment.	Legs must be timed together, parallel to each other and perpendicular to the trailer crossmembers.
5. Upper housing or retracting tube may be bent.	Replace damaged part.
6. Screw and nut assembly may have excessive wear and be hard to turn or inoperable.	Disassemble and inspect for wear. If screw and/or nut show considerable wear, then replace entire retracting tube assembly.
7. Check for proper clearance between pinion and bevel gear.	Minimum end play 1/32".
8. Excessive wear or damage to pinion, bevel, input, idler and/or output gears.	Replace damaged gears.
9. Landing gear jack shafts and/or shift shaft binding.	Check to see if trailer mounting bracket has sufficient size clearance hole to miss landing gear boss or shift shaft.
10. Bent retracting screw.	Replace entire retracting tube assembly.
11. Damaged thrust bearing.	Replace.
12. Damaged collar.	Replace.
13. Damaged shift lock boss and/or shaft bearing boss.	Replace.
14. Weld blow through where strut bracket is welded to housing. (With no-load on landing gear, the retract tube should have free play inside housing.)	Grind weld as required and re-weld.
15. Impact to jack shaft end has pressed bearing boss into gearbox half.	Press boss back into position.

Troubleshooting/General:

1. Right-hand leg (gearbox leg) operates but left-hand leg does not move.	Broken cross driveshaft bolt or damaged cross driveshaft. Replace damaged part.
2. Legs will not operate when turning jack shaft.	Damaged pinion or bevel gear. Replace damaged part.
3. Right-hand leg will not operate, shift shaft will turn but jack shaft does not turn.	Damaged input, idler, and/or output gear. Replace damaged part.
4. Leg locked and will not turn.	Bent retracting screw or damaged riser nut and screw. Replace entire retracting tube assembly.
5. Right-hand leg will not stay fully shifted in low gear.	Shift lock ball and shift lock spring missing or damaged shift lock spring. Replace missing or damaged part.
6. Noisy gearbox.	Check that shift shaft movement is 1" when shifted between gears.

Cautions



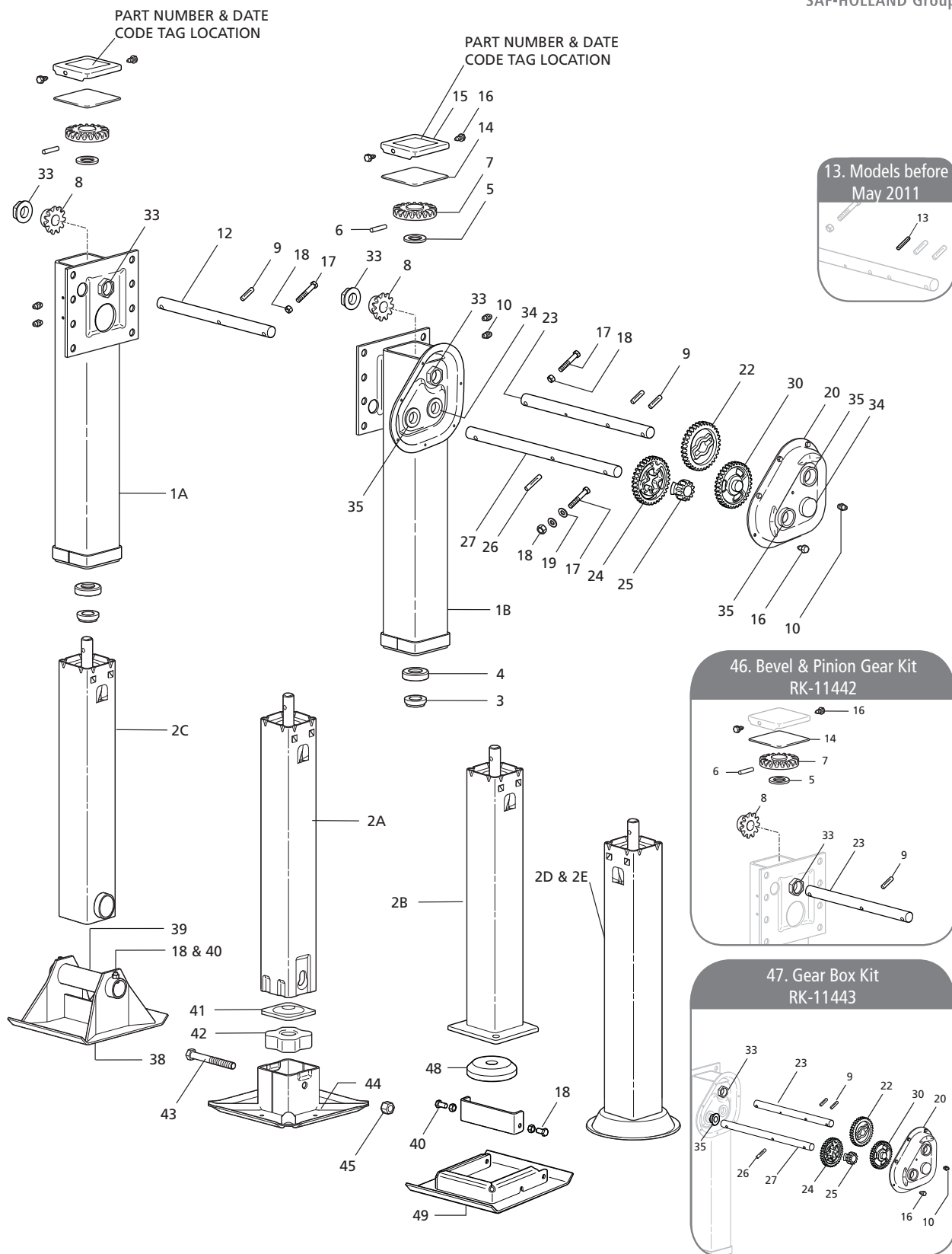
Landing gears are designed to meet T.T.M.A. recommended practice RP-4 and A.A.R.-931 requirements.

When operating the landing gears, it is necessary to observe some cautions. By doing so you will ensure long trouble free service.

CAUTION

1. Do not over extend or over retract landing gears.
2. Never drop trailer on landing gears. Always extend landing gears until sand shoes contact ground, then lift trailer approximately 1 inch before removing tractor from trailer.
3. Always ensure that landing gear shoes or foot pads will rest on a hard ground surface or concrete pad. If necessary, place shoes on a support plank to prevent the landing gears from sinking into the ground surface. (This is especially important with liquid cargo where a shift in the contents could overturn the trailer!).
4. Always retract landing gears fully before moving the trailer.
5. Always store the crank on the crank holder after extending or retracting the landing gear.
6. Replace all damaged or missing parts.
7. Failure to replace worn or damaged riser nut and retracting screw assembly could cause a failure.

Atlas 55 Standard - Exploded View





SAF-HOLLAND Group

Atlas 55 Standard - Parts List

NO.	DESCRIPTION	RETRACT TUBE CODE	TRAVEL				
			13.50"	15.50"	17"	17"*CAN.	19"
2A	Retract Tube - RCF	0 or 5 (MRL)	LG3053-01	LG3053-02	LG3053-03	LG3053-04	LG3053-05
2B	Retract Tube - Low Profile RCF	0	LG3097-01	LG3097-02	LG3097-03	N/A	NA
2C	Retract Tube - Axle	0	LG3012-01	LG3012-02	LG3012-03	N/A	LG3012-04
2D	Retract Tube - Shockfoot 10" DIA	0 or *6 (Can)	LG3061-02	LG3061-03	LG3061-04	LG3061-07	LG3061-13
2E	Retract Tube - Shockfoot 12" DIA	0 or *6 (Can)	LG3061-01	N/A	LG3061-05	LG3061-08	LG3061-14

NO.	DESCRIPTION	PART NO.	SPEED	
			ONE	TWO
1A	Upper Housing LH	N/A	-	-
1B	Upper Housing RH	N/A	-	-
3	Collar	XB-LG0544	1	1
4	Thrust Bearing	XB-BRG-013-77	1	1
5	Washer - FL 2" OD x 1.19" ID x .13" THK	XB-PW-016-62	1	1
6	Pin - DIA .38" x 2"	XA-CRP-V-06635	1	1
7	Bevel Gear	LG2884	1	1
8	Pinion Gear	LG1823-02	1	1
9	Groove Pin - DIA .38" x 1.50"	XB-GP-014-18	1	2
10	Ftg - Grease .25"-28 Self Tapping	XB-GRF-022-16	2	3
12	Jack Shaft LH - Universal Mount	LG2964-01	1	-
	- I-Beam Mount	LG2964-04	1	-
	- Conventional Mount	LG2964-02	1	-
	- Reverse Mount	LG2964-03	1	-
13	Pin - Spring DIA .25" x 1.5" (Not Required)	N/A	-	-
14	Cover Gasket	XB-LG0893	1	1
15	Top Cover	XA-LG0880	1	1
16	Self-Tapping Screw .25"-20 x .5" Lg	XB-ST5-008-11	2	9
17	Screw, Hex Cap .38"-16 x 2.25" Lg GR5	XB-HHC-050-42	1	2
18	Self-Locking Nut .38"-16 - Sandshoe	XB-SLN-012-04	2	3
	- Low Profile RCF	XB-SLN-012-04	4	5
19	Washer .38" Std Type A	XB-PW-016-03	-	2
20	Gearbox Half, Outside w/Hole for Grease Fitting	LG2996	-	1
22	Output Gear	LG2980	-	1
23	Jackshaft RH - Universal Mount	LG2963-01	-	1
	- I-Beam Mount	LG2963-04	-	1
	- Conventional Mount	LG2963-02	-	1
	- Reverse Mount	LG2963-03	-	1
24	Input Gear - High	LG2968	-	1
25	Input Gear - Low	LG2969	-	1
26	Groove Pin, Type E DIA .38" x 2.00" Lg	XB-GP-052-21	-	1
27	Shift Shaft - Universal	LG3011-01	-	1
	- I-Beam & Conventional	LG3011-02	-	1
	- Reverse	LG3011-03	-	1
30	Idler Gear	LG2975	-	1
33	Hex Lock Boss	LG2926	2	2
34	Output Shaft Bushing	LG3005	-	2
35	Boss Bearing - Sealed	LG0659-10	-	3

NO.	DESCRIPTION	PART NO.	SPEED	
			ONE	TWO
38	Sandshoe - 10" x 10" x 4.50"	50616001	1	1
	- 10" x 12" x 4.50"	50616000	1	1
	- 10" x 10" x 2.00"	50616008	1	1
	- 10" x 12" x 2.00"	50616007	1	1
39	Sandshoe Axle - Hollow Axle 8.50" Lg	LG0070-02	1	1
40	Screw, Hex Cap .38"-16 x .75" Lg GR5 - Sandshoe	XB-HHC-050-69	1	1
	Screw, Hex Cap .38"-16 x .75" Lg GR5 - Low Profile RCF	XB-HHC-050-69	2	2
41	Cushion Foot Plate	LG0725	1	1
42	Cushion Foot Rubber	XB-LG0726	1	1
43	Bolt - Hex Head .63" -11 x 5.50"	XB-HHB-050-70	1	1
44	R.C.F. - DIA 10"	LG0718-01	1	1
	- DIA 12"	LG0740-01	1	1
	- 10" x 10"	LG0732-01	1	1
45	Self-Locking Nut - .63"-11"	XB-SP0012-10	1	1
46	Bevel & Pinion Gear Repair Kit	RK-11442	1	1
47	Gear Box Repair Kit	RK-11443	-	1
48	Cushion Foot Pad - Low Profile RCF	728003	1	1
49	Interchangeable Collar - Low Profile RCF	730639	1	1
50	Black Armour™ Touchup Kit (not shown)	RK-10919	1	1

For technical assistance please go to www.safholland.us or call 800.876.3929

All axles, except converter dolly axles, are equipped with spring brake chambers. Each spring brake chamber is separated into two units. The front unit operates the service brakes. The rear unit contains a high loading capability spring that must be pressurized by air within the chamber to compress the spring to release the spring brake portion of the chamber. Loss of air pressure to the brake chamber will automatically apply the spring brake portion of the chamber for parking and/or emergency braking.

**CAUTION:**

Spring brake chamber plug must remain in place when not being serviced. Chamber plugs prevent contaminants from entering brake chambers.

In the case of a service brake system air failure, when the spring brakes are applied in an emergency stop, a spring brake air reservoir retains enough stored air to release the spring brakes at least once by means of the tractor parking brake control.

In the absence of air pressure, a manual release is provided to allow release of the spring brake. Here's how to release spring brakes, which are standard on most Demco Side Dump trailers.

1. Always install wheel chocks at both front and rear of tires before manually releasing spring brakes.
2. An emergency parking brake release tool is stored in a pocket on the side of the brake chamber. See illustration.
3. Insert the detachable release bolt through hole in head and through the piston. Turn the release bolt clockwise until it stops and locks, then pull the release bolt out as far as possible, and run the nut down, holding the bolt in place.
Using a hand wrench, turn the release bolt nut clockwise until the bolt extends about three inches. Make sure the release bolt is locked properly in the piston.
4. The parking brake is now caged.

NOTE:

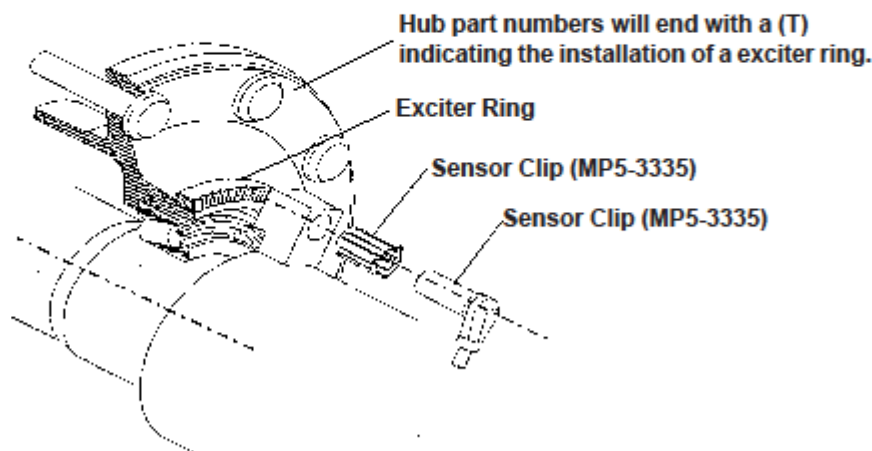
For instructions on how to release makes of spring brakes refer, to the specific manufacturer's instructions.

**WARNING:**

DO NOT operate your trailer with parking brakes caged or in any other way disabled. Never attempt to open a spring brake chamber. The internal spring is very dangerous.

The Full Function Anti-lock Brake System (FFABS) maintains stability and control during braking by preventing wheel lock-up. FFABS consists of Sensors and Exciters, Modulating Relay Valve, and an Electronic Control Unit (ECU) to maximize the braking ability of the trailer. The ECU monitors wheel speeds, and thus vehicle speed, through the use of sensors and exciters that are mounted on the hubs of the trailer. When the ECU detects the speed of a wheel or wheels decreasing rapidly during a braking application, it releases the air pressure in the brake chamber of the affected wheel (s) via the modulator. This allows the wheel(s) to begin rotating again, thus avoiding lock-up. As soon as the wheels begin to rotate again, the ECU reapplies pressure in the affected brake chambers to maximize braking effectiveness. If the condition that caused the lock up remains, the cycle is repeated until either the brake application or vehicle is stopped. Operation is totally automatic and can occur up to six times per second.

FFABS can be installed on a variety of trailer configurations capable of controlling 2, 4 or 6 service/spring brake chambers. When the system is installed on a multi-axle trailer, it is important the proper axle is selected for positioning of the ABS wheel end sensors. Several factors are involved in making this decision, including but not limited to, the selected axle should be the one that carries the least load or is most likely to lock first in a hard brake application.



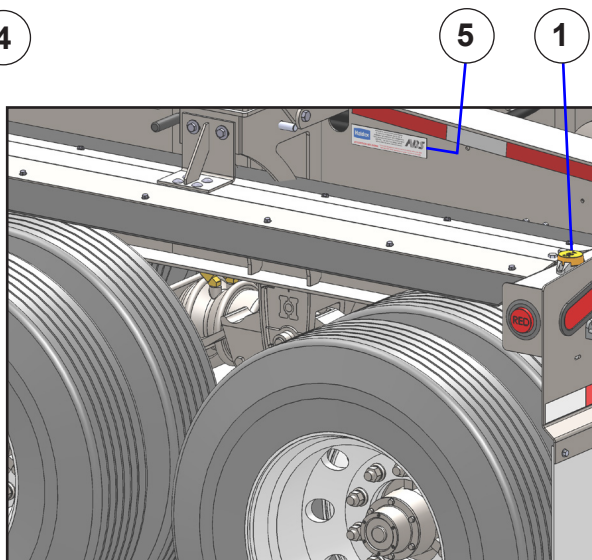
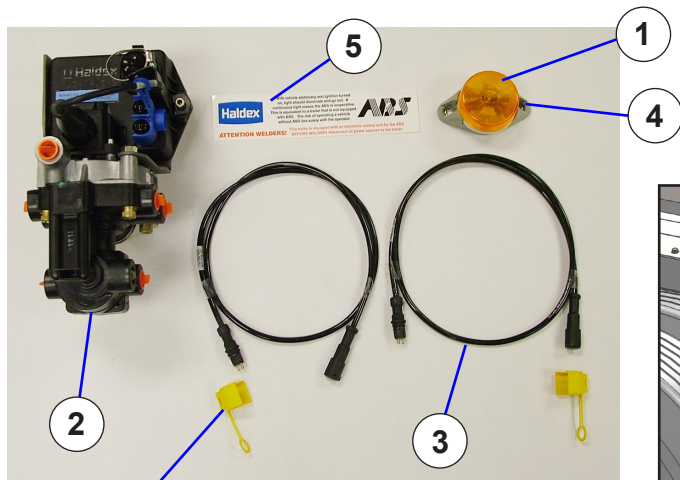
The Full Function ABS Valve was designed as a method of providing a complete trailer braking system combined with skid control in a single package. This valve combines the functions of several separate valves while providing all the valve needs for trailer service and spring brakes.

The FFABS valve has three control sections:

- Skid control unit that modulates signal pressure to prevent wheel lock up.
- Relay valve to provide the high flow of air from reservoir to brake chambers required for good brake response.
- Spring brake control module which incorporates pressure protection, one way check, double check for anti-compounding, and quick release.

The electronic control unit of the FFABS valve receives operating power from the seven-way connector. In the event of a power failure, the system will revert to a typical relay valve system; spring brake control is unaffected by a power failure.

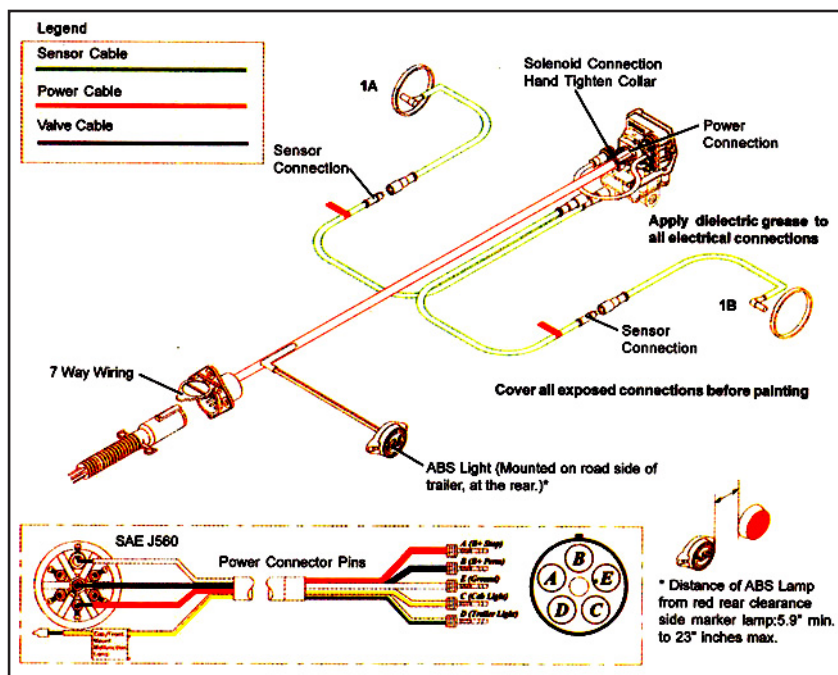
ABS Brake Components



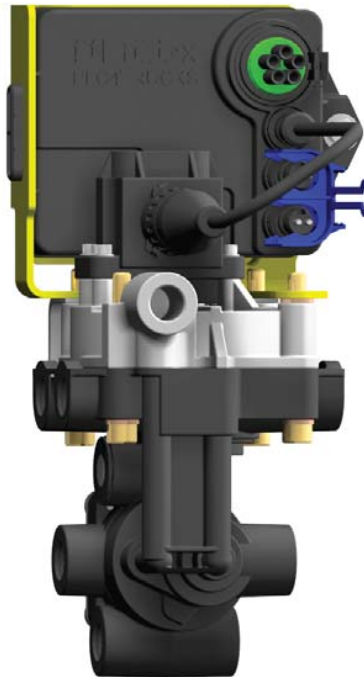
Haldex
 (816) 891-2470
 Valve Model: AL430624
 ECU Model: AL919323

Visit Company's website for add'l info at:
<https://www.haldex.com/en/North-America/>

ABS-1 Axle 2S1M System			
BOM ID	Qty	Item No	Description
1	1	1AEAP4301	ABS LIGHT BRACKET
2	2	1AEAP4302	ABS LIGHT
3	3	1ABAP3528	VALVE, FFABS, 3/4" NPT, HALDEX N9001JB
4	1	1ABAP3754	ABS SENSOR EXT. CORD, 1 METER
5	1	1AQAP4304	DECAL, ABS LIGHT/ATTN WELDERS
6	1	1AAP4308	RETAINING CLIP, ABS SENSOR PLUG



Haldex



PLC Select ABS (1M)

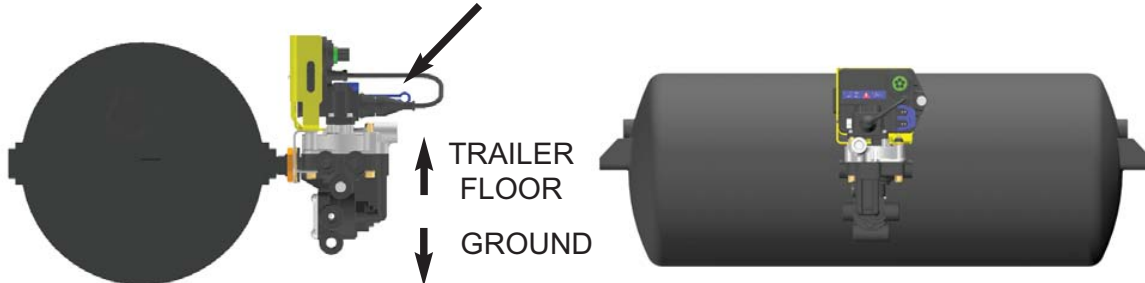
***Installation/Service Manual
for
2S/1M Systems***

PLC Select 1M

PLC Select 1M & 2M Valve Orientation



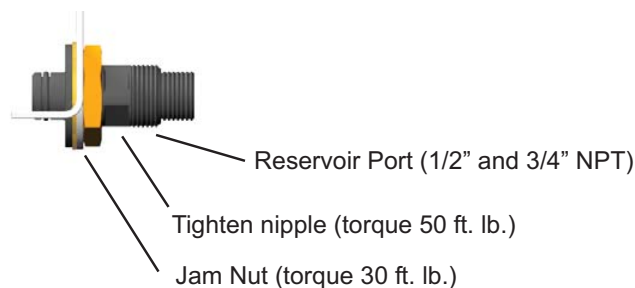
The ABS Valve Solenoid must be installed as shown below



Typical tank mount valve orientation

1. Install fittings into valve. Sealant is not required on plastic threads or on fittings that go into plastic. **DO NOT** use teflon tape on fittings. It can break off and contaminate the air system. Liquid pipe sealant is approved for use if required.
2. For plastic ports, hand tighten fittings then rotate 1 to 1-1/2 additional turns. The maximum torque valve allowed is 210 in-lb.
3. Install valve nipple into reservoir port. Use 7/8" wrench to tighten the nipple.
4. Using a 1-1/2" wrench tighten the jam nut to 30 ft. lb, while holding the nipple with a 7/8" wrench.(see detail below).
5. Attach hoses to appropriate brake chambers. Use liquid thread sealant sparingly on all fittings (Loctite PST565 or equivalent).

Note: *If frame mounted follow same procedure for valve orientation. Valve solenoid on a 2-port relay, 6-port relay or FFABS must be facing up when the trailer is in normal operation or service/ABS performance could be effected.*



Warning: *Proper installation orientation shown above; otherwise, warranty is void. Installation behind the tank is recommended, facing the back of the trailer.*



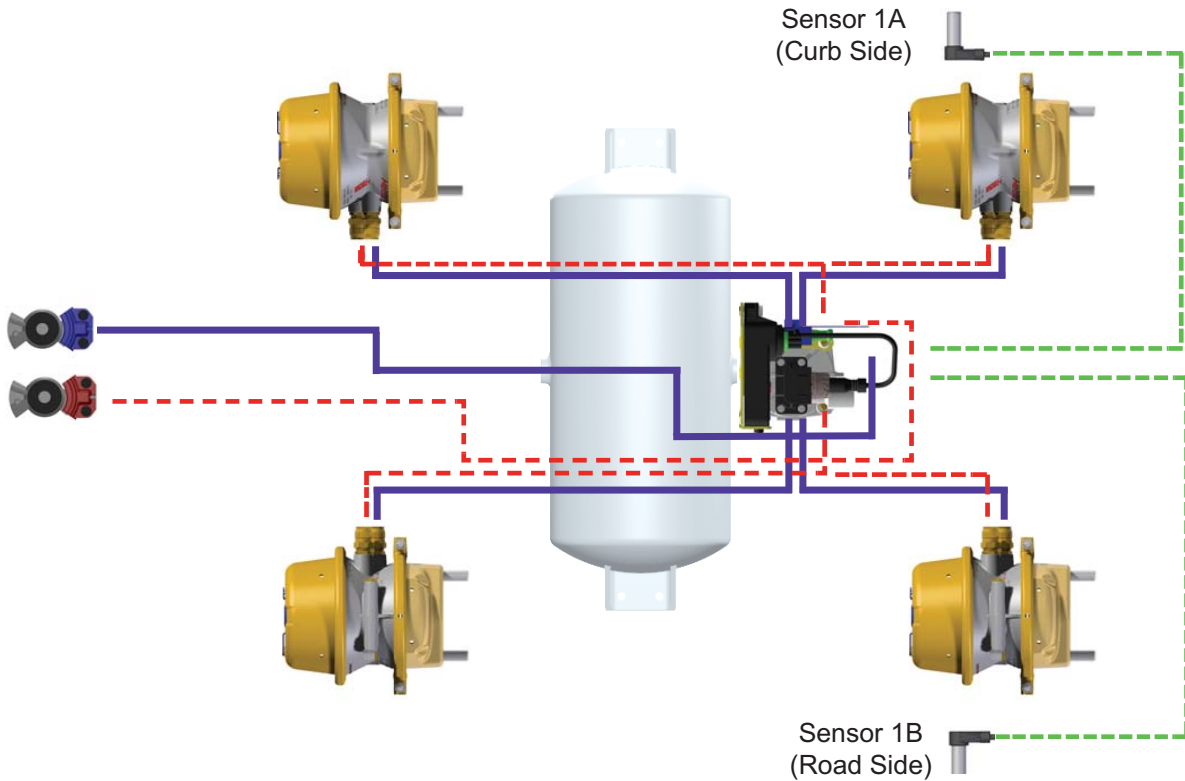
PLC Select FFABS 2S/1M (4 Service Delivery Ports/ 4 Spring Brake Ports)

- Air suspension typically have the sensors on the rear axle
- Spring suspension typically have the sensors on the front axle



PLC Select 1M (FFABS)

Plumbing Schematic (2S/1M) Top View



Legend:

Service/Control Line	
Emergency/Supply Line	
Sensor Line	

AIR BRAKE COMPONENTS AND SYSTEM SCHEMATIC ARE DESIGNED TO ALLOW COMPLIANCE WITH FMVSS 121.

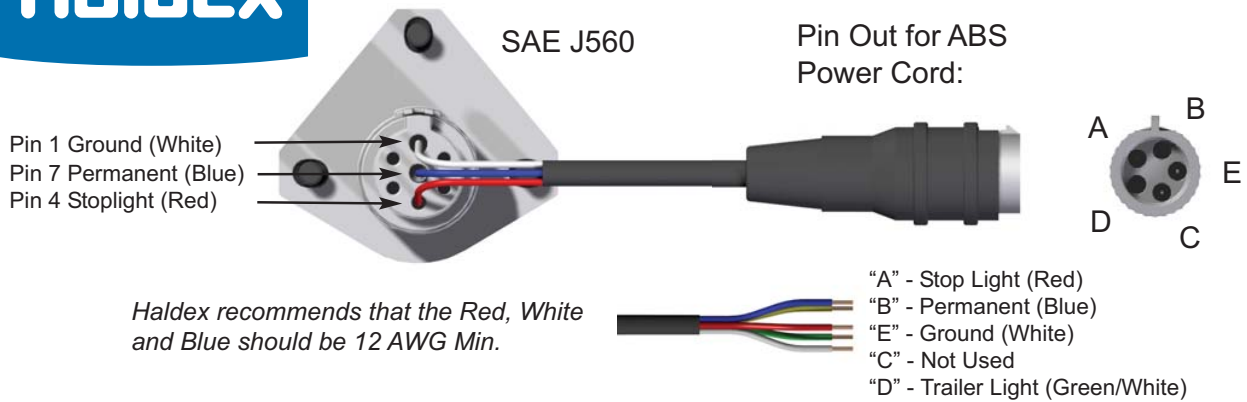
THIS SCHEMATIC IS FOR INFORMATION PURPOSE ONLY. IT IS THE VEHICLE MANUFACTURERS ULTIMATE RESPONSIBILITY TO CERTIFY THEIR SYSTEM MEETS ALL APPLICABLE REGULATIONS.

PIPE NIPPLES USED TO MOUNT BRAKE VALVES MUST BE HEAVY WALL TYPE PER SAE J514.





ABS Power Cord - Pin Out

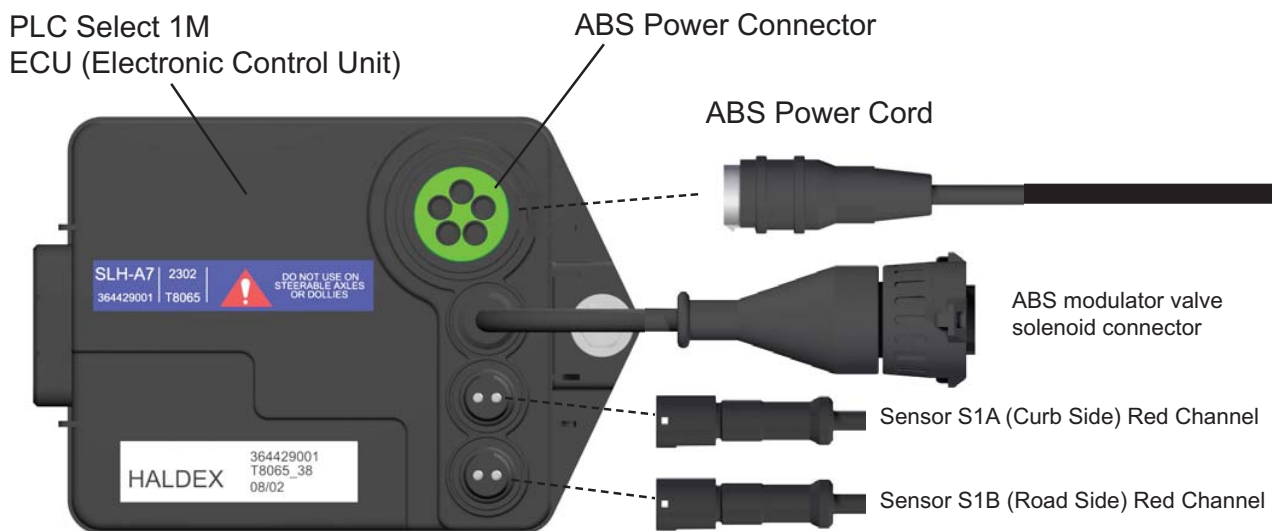


Note: Federal regulations mandate that new trailers, built after 3/1/2001, have the capability to provide an ABS fault signal from the trailer ABS into the tractor for an In-Cab trailer ABS Lamp. Option (1) is through Industry standard "PLC4Trucks" multiplexing (the signal is carried on Pin 7)

PLC Select 1M ECU Overview

Correct location of the speed sensors at the wheel ends is critical for proper ABS operation and troubleshooting. The PLC Select 1M will adjust the braking air pressure in response to the input from the speed sensors. Incorrect installation or location of speed sensors, sensor block clips and exciter rings will result in poor ABS performance or sensors crossed leading to incorrect diagnostics troubleshooting.

The figure below shows the correct power and speed sensor connections on the PLC Select 1M ECU (Electronic Control Unit).



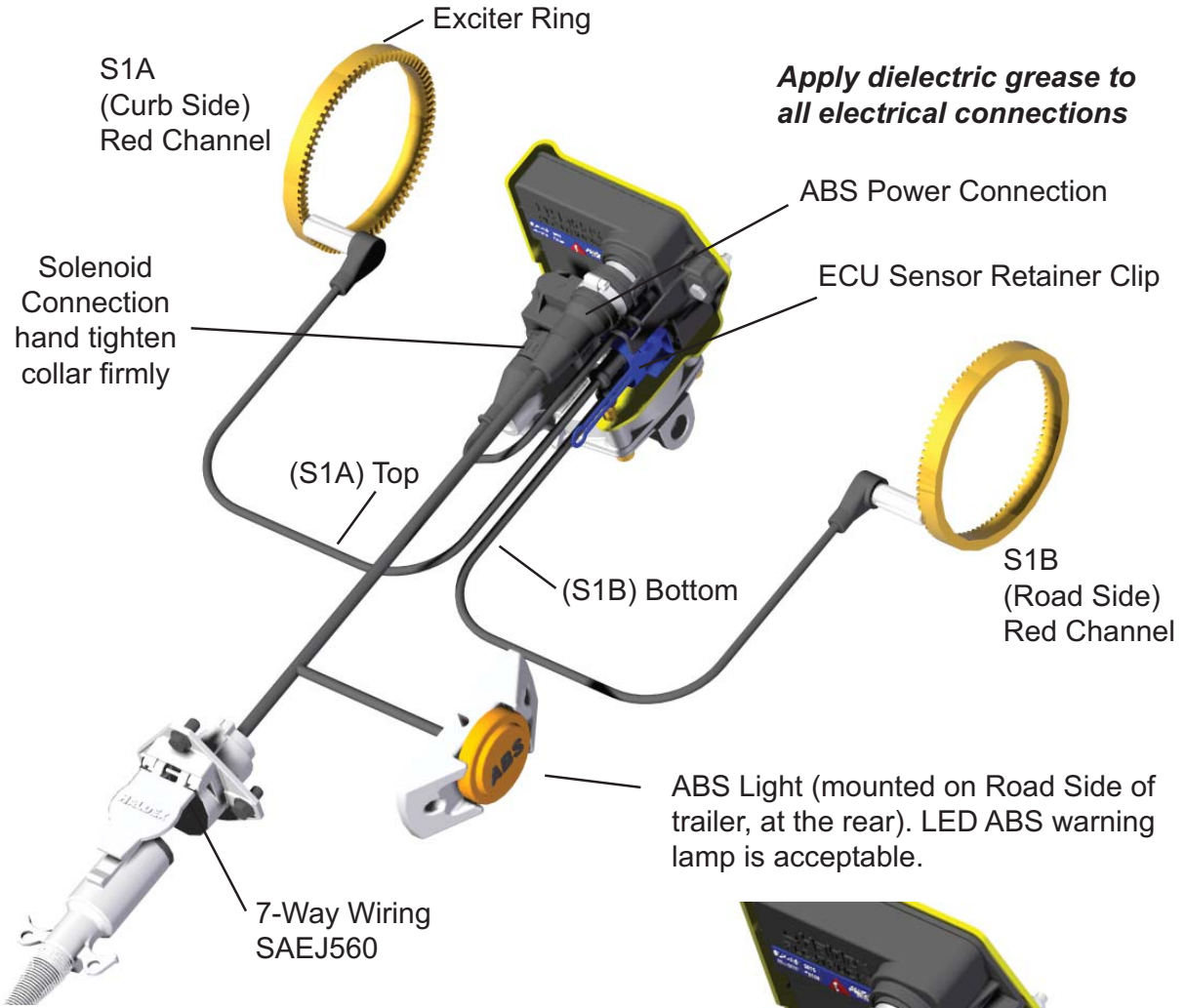
Note: When installing and servicing always apply small amount of dielectric grease to all electrical connections.

PLC Select 1M

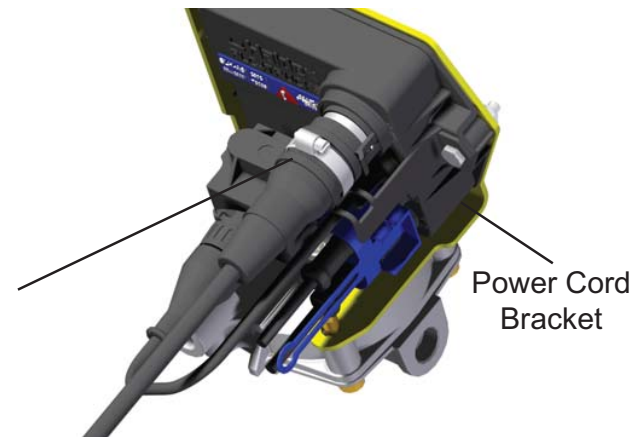
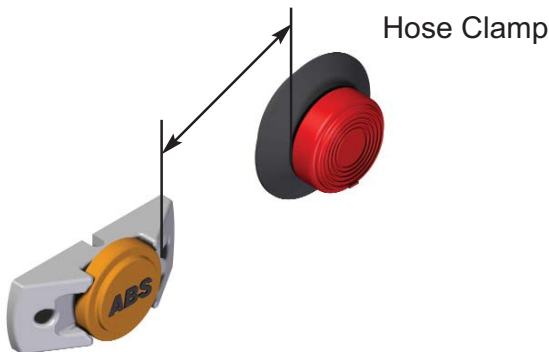
2S/1M System Wiring - PLC Select



Note: Cover all exposed electrical connections before painting



*Distance of ABS Light from Red rear clearance side marker light is 5.9" inches to 23" inches max.



The ABS Power Cord is secured to the power cord bracket (page 13) and is secured with a hose clamp (preferred) or tie strap.



Simplified Troubleshooting Procedures 2S/1M Anti-Lock System

After completion of a PLC FFABS or Modular installation, the following troubleshooting test procedures should be performed to ensure the ABS System is functioning properly. If any portion of these tests fail, consult with the Haldex Technical Department at 800-643-2374.

Test Equipment

- 12VDC/30 AMP Power Supply (**DO NOT** use a Battery Charger).
- Jumper Cable from Power Supply to the 7-Way Receptacle.
- Shop Air.

Step One

Charge the trailer brake system with supply and service air. Connect power supply to the 7-way receptacle and follow the checklist below to ensure the ABS System is functioning properly.

- **Modulator Blow-Down:** The ABS modulator should exhaust a brief shot of air, **do not rotate wheels during this test.**
- **ABS Light Sequence:** The ABS light should come on for 2.5 seconds, then go off, if no faults are detected. If faults are detected, the light will remain on.

Step Two

Lift the ABS equipped axle on the trailer, release the service brakes and follow the checklist below.

- **Connect** constant power to the stop light circuit. (#4 conductor at 7-way receptacle)
- **Cycle** power to the trailer auxiliary circuit (#7 conductor at 7-way receptacle) ON, OFF, then ON to activate the system's simple diagnostic mode. (See chart for code interpretation.)
- **Rotate** the "curb" side wheel; the ABS lamp should flash 1 time. The lamp will remain on after the wheel is stopped, until the next wheel is rotated.
- **Rotate** the "road" side wheel; the ABS lamp should flash 2 times.

Blink Code Diagnostics

Mode 1 - Simple Mode Diagnostic Fault Table (ON,OFF,ON)

Item	Flash Count	Actual Fault
System OK	Lamp Stays On	07
Sensor 1A	1 Flash	01, 11, 21
Sensor 1B	2 Flashes	02, 12, 22
Sensor 2A	3 Flashes	03, 13, 23
Sensor 2B	4 Flashes	04, 14, 24
Sensor 3A	5 Flashes	05, 15, 25
Sensor 3B	6 Flashes	06, 16, 26
Red Valve	7 Flashes	41, 61, 67, 71, 77, 81, 87
Blue Valve	8 Flashes	42, 62, 68, 72, 78, 82, 88
Yellow Valve	9 Flashes	43, 63, 69, 73, 79, 83, 89
Low Voltage	10 Flashes	90
ECU Failure	11 Flashes	93, 99, E-Codes

Wheel Speed Mode

Wheel Speed Mode is accessible only when in Simple Mode. This mode is not activated until the ECU has received a signal from the wheel speed sensor of a spinning wheel. The hold solenoid of the modulator associated with the particular sensed spinning wheel will be cycled. The blink codes for the sensed wheels are:

S1A: 1 Flash	S1B: 2 Flashes	S2A: 3 Flashes
S2B: 4 Flashes	S3A: 5 Flashes	S3B: 6 Flashes

Troubleshooting Notes

- **1** - Spin only one wheel at a time.
- **2** - Once a wheel is rotated, the ABS lamp will remain on after the wheel is stopped, until the next wheel is rotated.

Haldex Commercial Vehicle Systems

Haldex Brake Products Corporation
10930 N. Pomona Avenue
Kansas City, MO 64153-1256
Phone: 816-891-2470
Fax: 816-891-9447

Haldex Limited
525 Southgate Drive, Unit 1
Guelph, Ontario Canada N1G 3W6
Phone: 519-826-7723
Fax: 519-826-9497

www.haldex.com

L55031W US 9/09 WEB ONLY



Welding on Trailers Equipped with Haldex ABS Products

Haldex Commercial Vehicle Systems specifies very few requirements when welding on a trailer equipped with a Haldex ABS System:

- ✓ Weld only when the trailer is not attached to the towing vehicle.
- ✓ Take precautionary measures to protect against extreme heat, flying slag and/or molten metal.
- ✓ Never connect power to the 7-pin connector or to the ABS System when welding on the trailer.

Haldex does not require the disconnection of any ABS wire harnesses when welding on the trailer due to the fact that the ECU circuits have been specially designed to protect against transient voltages which can occur during welding.

For additional information or assistance, contact your local Haldex Sales Professional or a member of the Haldex ABS Engineering Team at (816) 891-2470.

Innovative Vehicle Technology

www.hbsna.com

2/03 5M CM L55134

L55134
SERVICE
BULLETIN

CARE AND ADJUSTMENT OF BRAKES

The trailer brake system will perform safely and efficiently only as long as you maintain it properly and do not abuse it. Trailer brakes should be inspected and adjusted frequently in connection with a Trailer Preventative Maintenance program. Out-of-adjustment brakes can cause increased stopping distance, shorter brake component life, and a greater tendency for the trailer to jackknife.

AIR SYSTEM AND BRAKE OPERATION

- Proper operation of the brake system requires a firm seal between the air brake glad hands. Inspect the glad hands for rubber washer damage and cracked housing. Inspect the air hoses for cracking and for frayed connections.
- Keep the air system clean. Primary and emergency air tanks should be drained daily to remove moisture and other contaminants, especially during cold weather operations.
- Some air valve manufacturers discourage the use of any kind of air line antifreeze. It may result in deterioration of seals in these valves.
- If you use Teflon tape or other thread sealers to seal threaded connections in your air lines, be careful not to allow pieces of the sealer to enter the air system. They can clog passages into the valves.
- Keep the air system tight. The air system cannot be charged properly if there are leaks in reservoirs, lines, hoses or valves. Always check the tractor pressure gauge for unusual drops or extended buildup times.
- Run the tractor engine until the air brake system pressure gauge shows at least 70 psi. Listen for air leaks. With the engine off, check the gauge reading with no brakes applied. The gauge reading loss should not exceed three pounds in one minute.
- With the engine still off, apply the brakes fully for two minutes. The gauge reading loss should not exceed four pounds per minute.
- With engine still off, slowly open a drain cock in an emergency or supply line and allow the pressure to drop gradually.
- In a system that does not employ spring brake control valves, the relay emergency valve should function and apply the brakes.

AIR SYSTEM AND BRAKE OPERATION

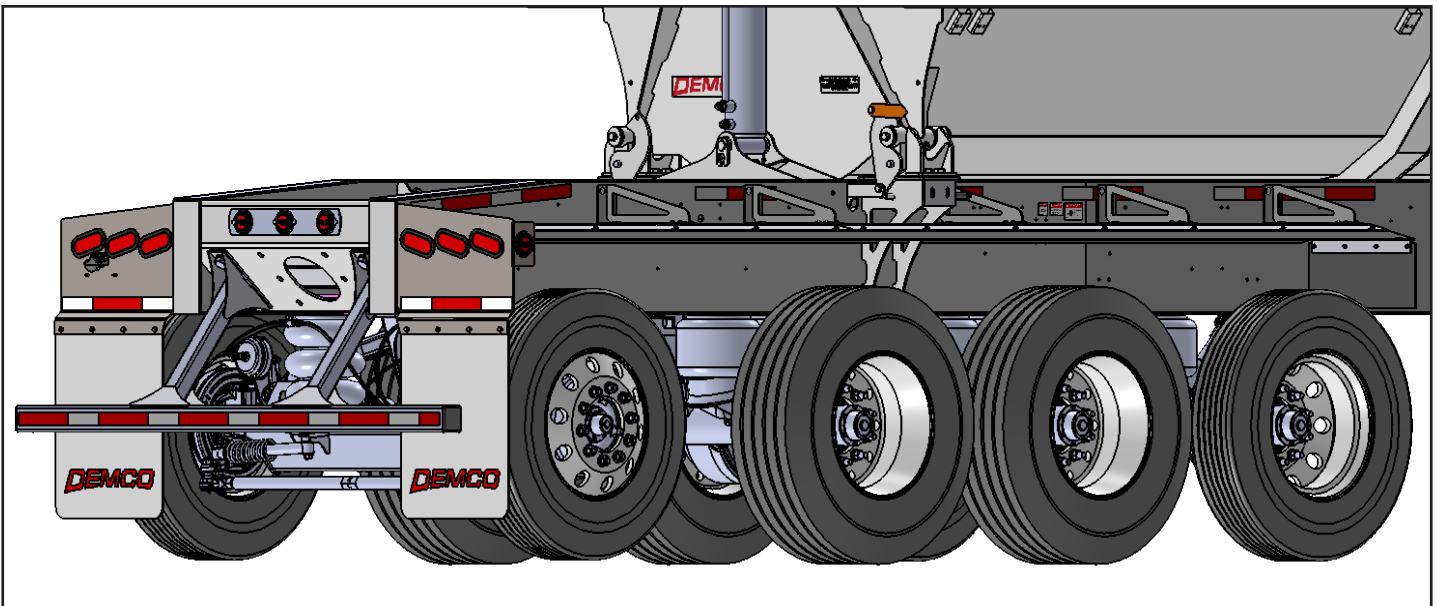
- In a system employing spring brake control valves, spring brakes should function and apply the brakes. Remember that serious air losses are extremely hazardous conditions that are likely to cause accidents or breakdowns.

**WARNING:**

Do not operate this vehicle with any brake defects or with brakes out of adjustment.

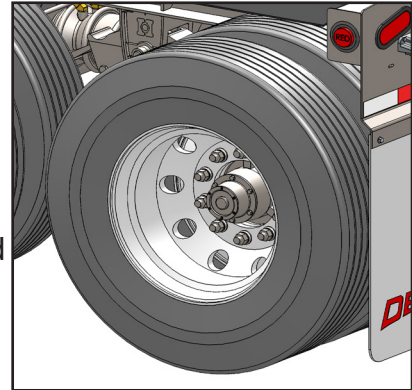
CHECK BRAKE OPERATION

Before entering traffic, check the operation of the trailer brakes to be sure they are in good working order. Try foot pedal, emergency dash control valve (push, pull or flip), and trailer brake lines to assure brake application and release in each instance. Listen for air leaks under each condition.



TIRES

Do not over inflate. Check for proper inflation with an accurate gauge when the tires are cold. Inspect tires for nails and other objects embedded in the rubber, and for stones and other objects lodged between duals. Examine tires to see that they are free of breaks and other defects. Watch new and retread tires for signs of failure during break-in period. Dual tires on any axle end should have the same diameter.



CAUTION:

The law requires that you inflate tires according to the inflation pressure molded on the tire by the tire manufacturer. Tires must be matched with proper compatible rims for safe operation. Replace any tire that has fabric exposed through the tread or sidewall, or that has less than 1/16” tread depth.

TIRE LOADS

Do not overload the trailer tires. Overloading tires creates a dangerous, unsafe condition that should be avoided.

The total load per tire must not exceed the tire manufacturer’s specified load carrying capacity at stated inflation pressures for both tires and rims. Demco Side Dump trailers, as required by the certification regulations of the National Highway Traffic Safety Administration (CFR 49, Part 567), has a Gross Axle Weight Rating plate on each trailer for your information on the running gear capacity.

The GAWR and tire information shown on the vehicle identification plate was applicable at the time the trailer was manufactured. If the tires or other components of the running gear have been changed or altered since the trailer was manufactured, the GAWR may have changed. This should be checked with the Demco factory representative.

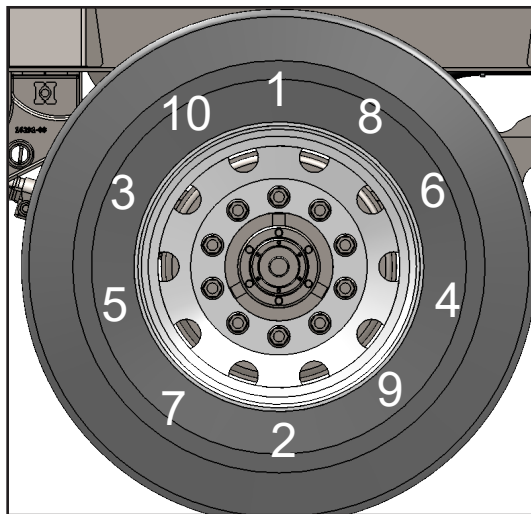
GVWR: 34091 KG (75000 LB)				
	GAWR	WITH TIRES	RIMS AT	COLD
FRONT	11364 KG (25000LB)	11R24.5	8.25X24.5	655 KPA (95 PSI) DUAL
INTER	11364 KG (25000LB)	11R24.5	8.25X24.5	655 KPA (95 PSI) DUAL
REAR	11364 KG (25000LB)	11R24.5	8.25X24.5	655 KPA (95 PSI) DUAL
THIS VEHICLE CONFORMS TO ALL APPLICABLE U.S. FEDERAL MOTOR VEHICLE SAFETY STANDARDS IN EFFECT ON THE DATE OF MANUFACTURE SHOWN ABOVE.				
SIDE DUMP TRAILER				

Located on the drivers side near landing gear.

Check all parts for damage. Insure that studs, nuts, and mounting faces of hub and wheels are clean and free from grease. Replace any defective parts.

Mount single wheel or inner and outer dual wheels over studs, being careful not to damage stud threads. Draw up nuts alternately in the sequence shown below. Do not tighten them fully, however. This procedure will permit the uniform seating of nuts and insure the even face-to-face contact of wheels and hub.

Tighten nuts fully, using the same alternate sequence. Be sure to tighten wheel nuts only to the torque level recommended below and to maintain them at that level through planned, periodic checks.



CAUTION: Do not intermix wheel types. Insufficient mounting torque can cause wheel shimmy, resulting in damage to parts and extreme tire tread wear. Excessive mounting torque can cause studs to break and discs to crack in the stud hole area.

NOTE: Lug nuts should be rechecked for proper torque after vehicle has been operated for 50-100 miles, and every 3,000 miles thereafter, as well as during regular maintenance checks.

1. Check all metal surfaces thoroughly while making tire inspections, including areas between duals and on inboard side of wheel. Watch for:
 - a. Excessive rust or corrosion buildup
 - b. Cracks in metal
 - c. Bent flanges, resulting from road obstructions
 - d. Deep rim tool marks on rings or in gutter areas
 - e. Loose, missing or damaged nuts or clamps
 - f. Bent or stripped studs
 - g. Damaged or missing rim drive plates
 - h. Mismatched rim parts
2. Pull damaged rims or wheels.

**CAUTION:**

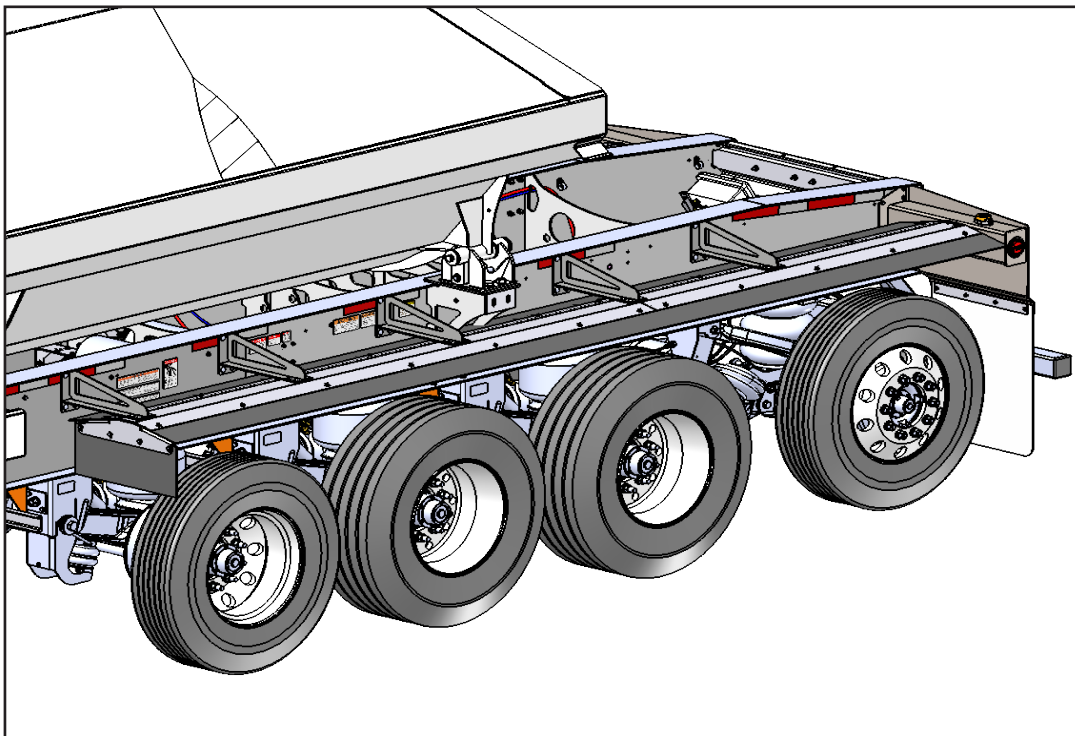
Excessively corroded or cracked rims or rings can be dangerous. Deflate tires prior to the removal of rims or wheels from the vehicle.

3. Mark damaged or hazardous areas with chalk so that part will be removed from service.
4. Replace damaged parts.

**CAUTION:**

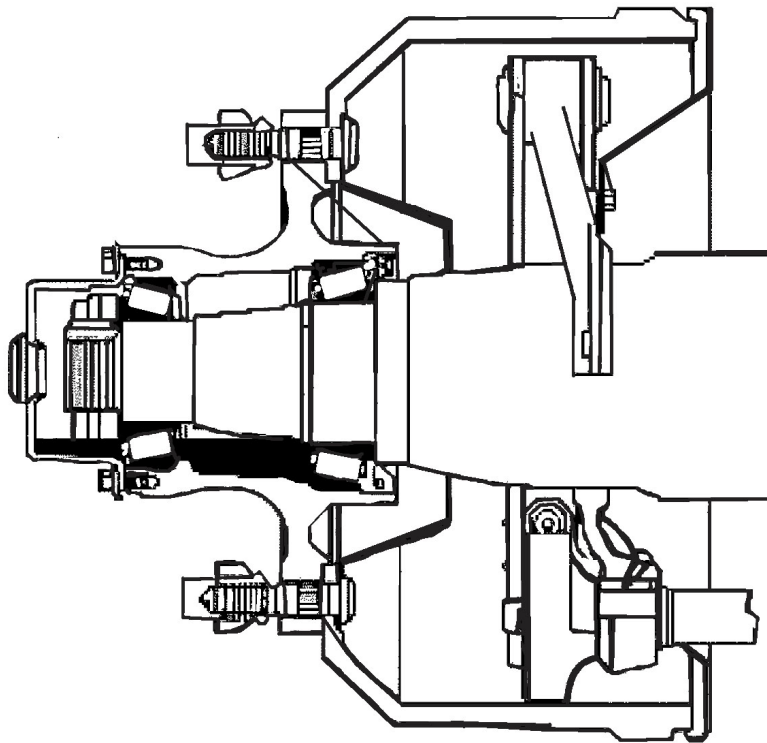
Insure that replacements are made with the proper sizes and types of rims and rings.

5. Inflate tires only to recommended air pressures.



Check hub gaskets and seals for oil leaks before each trip. Leaking seals can result in ruined wheel bearings and possible failure of the axle-wheel assembly.

Check oil level in hubs before every trip. Add oil when low, only to the level indicated by mark on the hub cap. **CAUTION! Too much oil can damage the wheel bearings.** Use a gear type oil: SAE 140 if temperature is above freezing, SAE 90 if temperature is below freezing, or a multipurpose oil with an SAE range of 85 to 140 for year round conditions.



AXLE ALIGNMENT

Axle alignment must be checked at regular intervals. If the trailer is not following properly, this should be reported to the Maintenance Department.

NOTE:

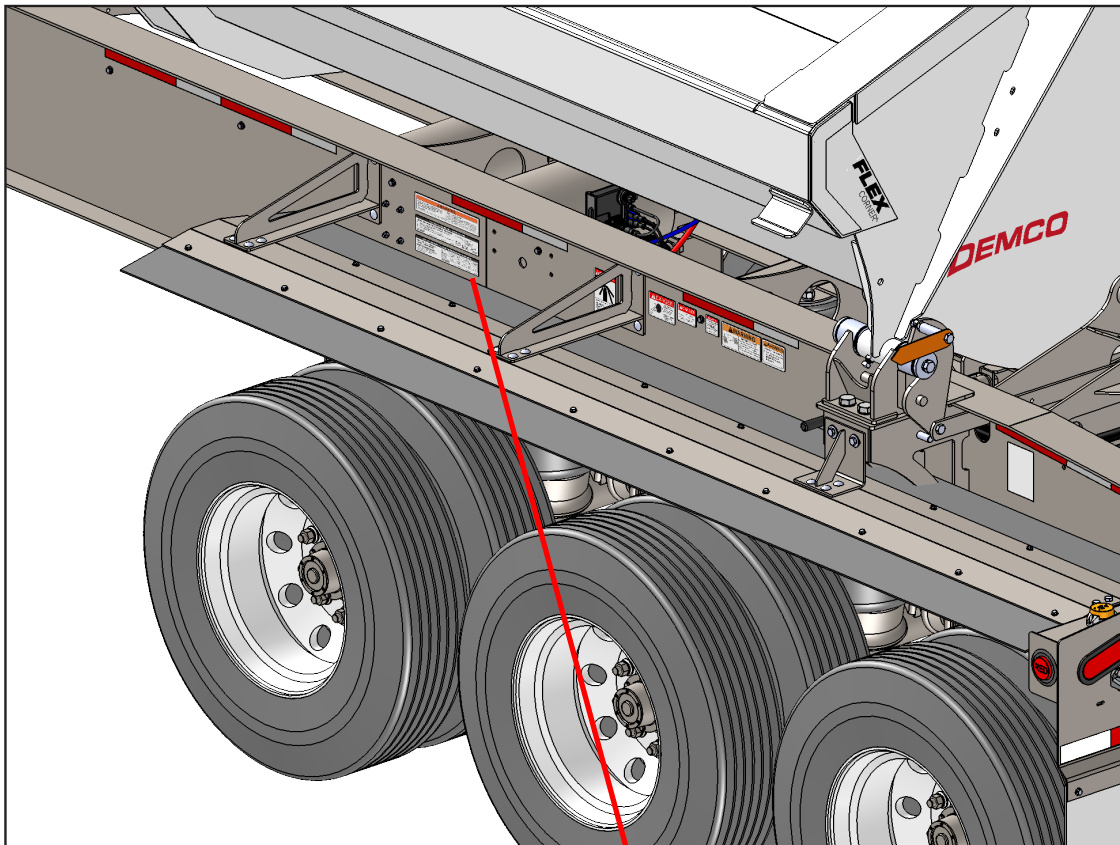
See Axle/Suspension manual pages for alignment procedures.

The air suspension height is controlled by height control valves that maintains a constant trailer height by pressurizing or exhausting air in the air springs as needed to support the load being carried.

You must build up and maintain your trailer's air pressure higher than 65 psi before operating the trailer. The air protection valve won't operate until you have 65 psi in the system. This valve automatically maintains a safe air brake pressure higher than 65 psi in the event of an air loss due to a failure in the suspension system.

If an air spring failure occurs on one side, it is recommended to completely deflate the suspension and temporarily operate on the air spring's internal rubber bumpers, to allow your trailer to be moved to a shop for repairs.

To deflate or cut off the air pressure to the damaged air spring, disconnect the height control valve actuating levers from their link assemblies and rotate to the vertical down position.



CBX / CB FIXED FRAME TRAILER AIR SUSPENSION TORQUE SPECIFICATIONS

Torques are with clean, lubricated threads.
Always apply torque to nut, if possible.

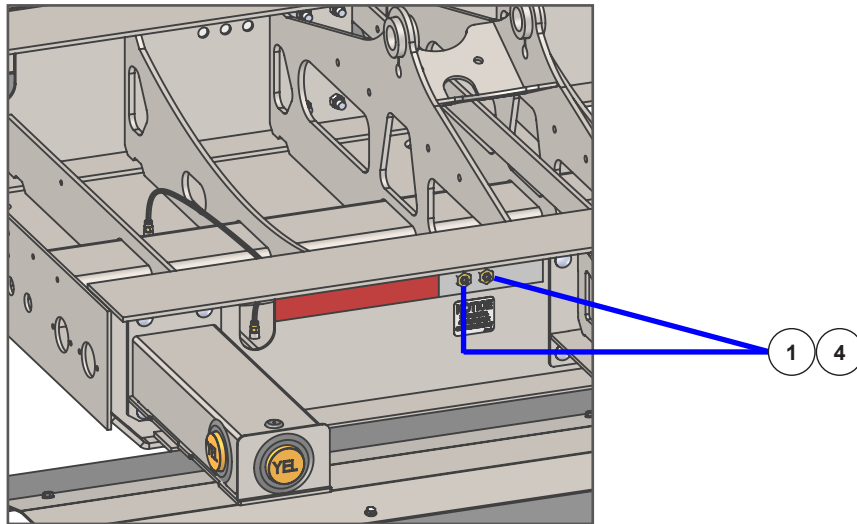
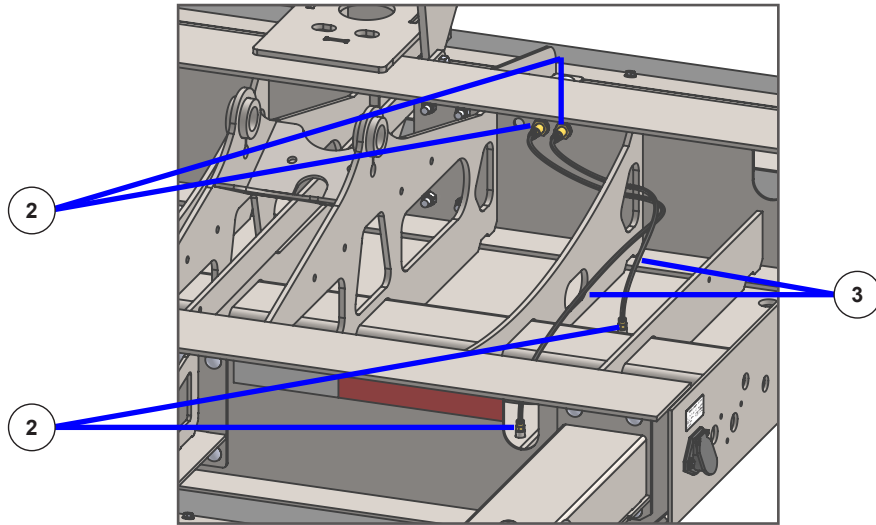
REQUIRED RE-TORQUING SCHEDULE:

- All fasteners after first three (3) months or 5,000 miles.
- At every routine preventative maintenance.
- At every brake relining.

Fastener Size	Pivot Connection	Shock	Air Spring		SwingAlign
	1-1/8"	3/4"	1/2"	3/4"	1/2"
Torque Ft.-Lbs. (N•m)	450-500 (608-676)	140-175 (190-237)	30-40 (41-54)	40-45 (54-61)	50-60 (68-81)

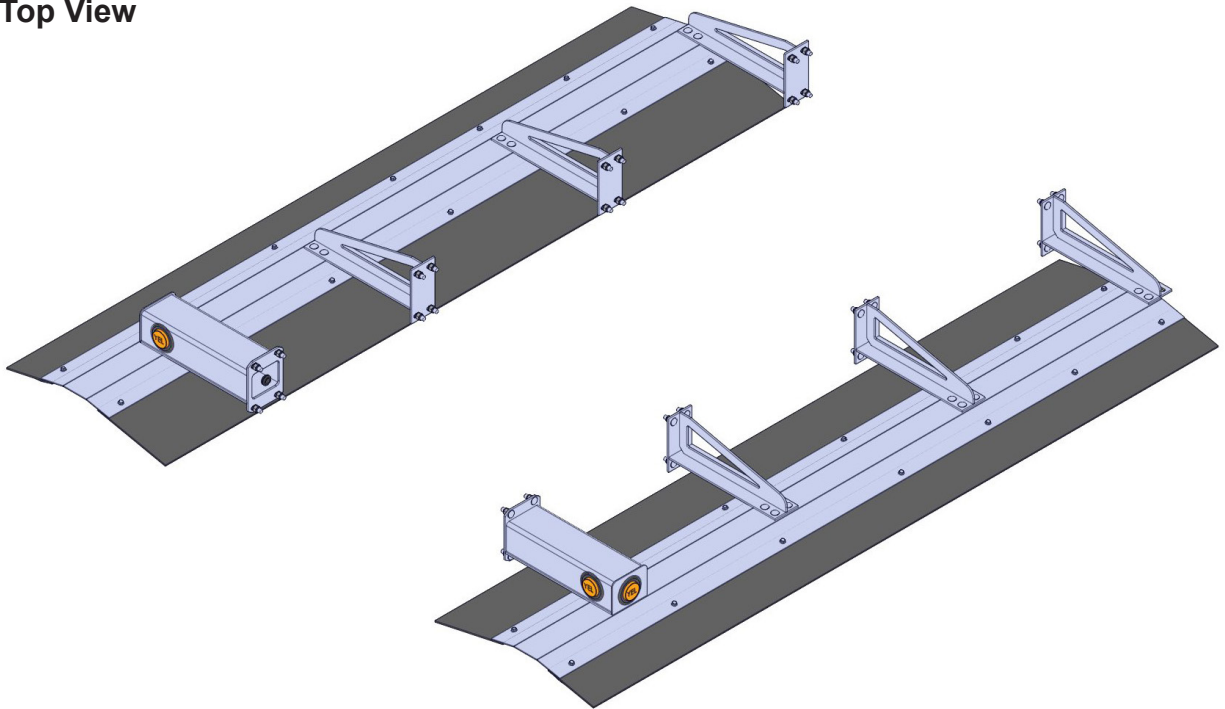


Fifth Wheel Grease Components (All Models)

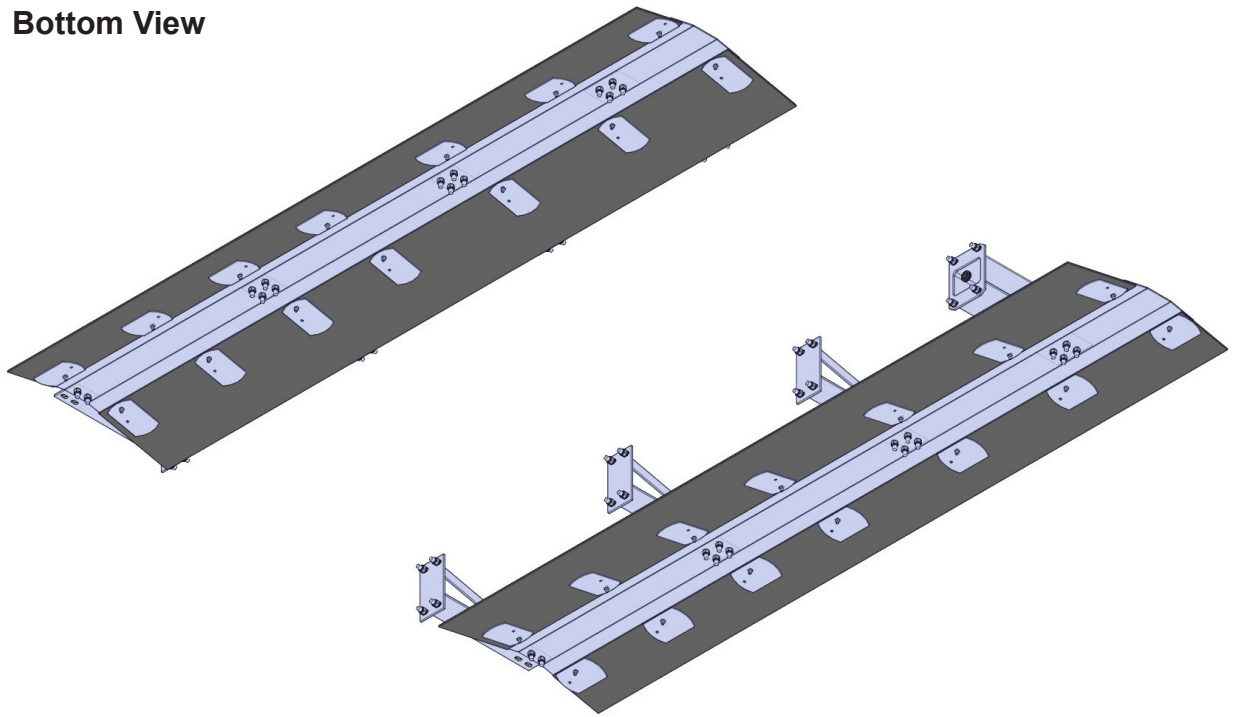


BOM ID	Qty	Item No	Description
1	2	1ABAP3423	BULKHEAD ADAPTER, 1/8 FPT - 1/8 FPT
2	4	1ABAP3426	ADAPTER, 1/4" TUBE X 1/8 MPT, STRAIGHT
3	4.63'	1ABAP3685	NYLON TUBING, BLACK, 1/4"
4	2	1AKZAAA0000	GREASE ZERK, 1/8" NPT

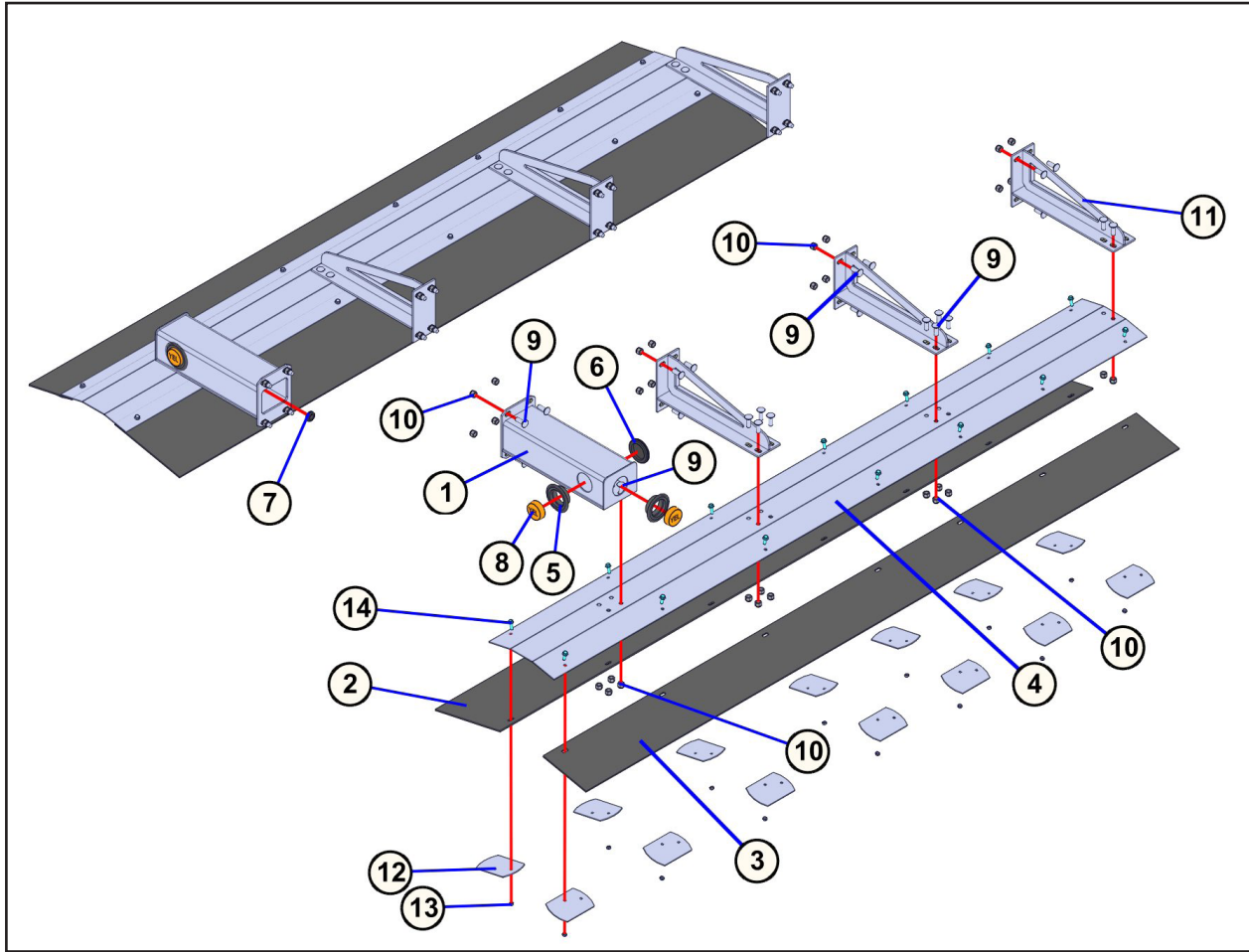
Top View



Bottom View

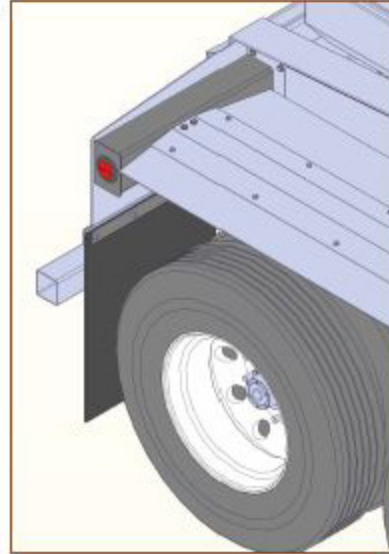
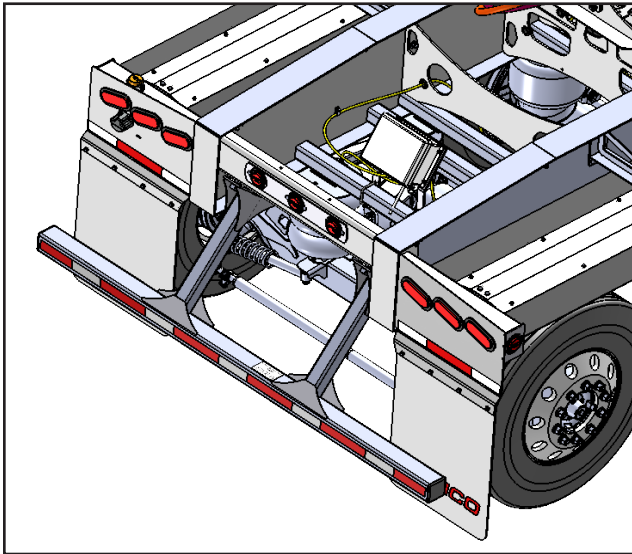


Front Fender Parts (All Models)



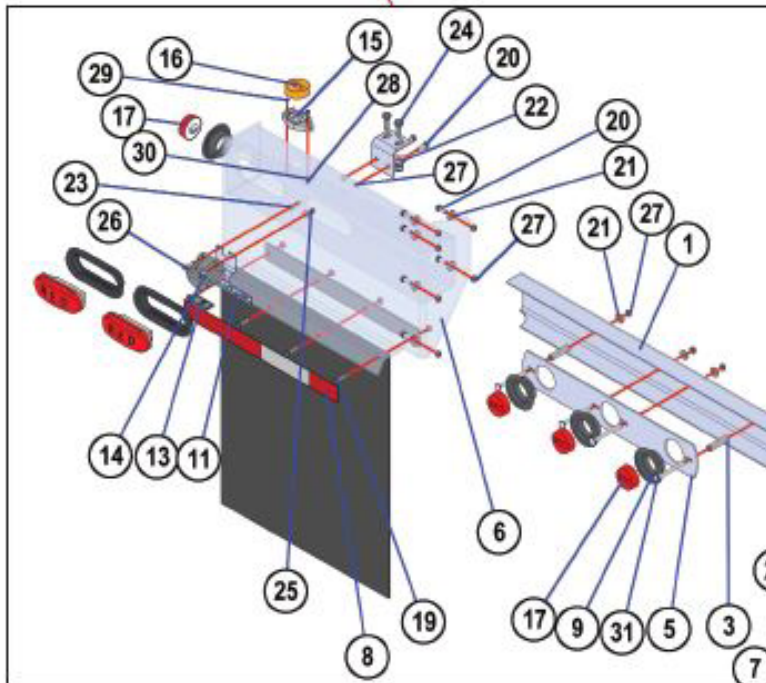
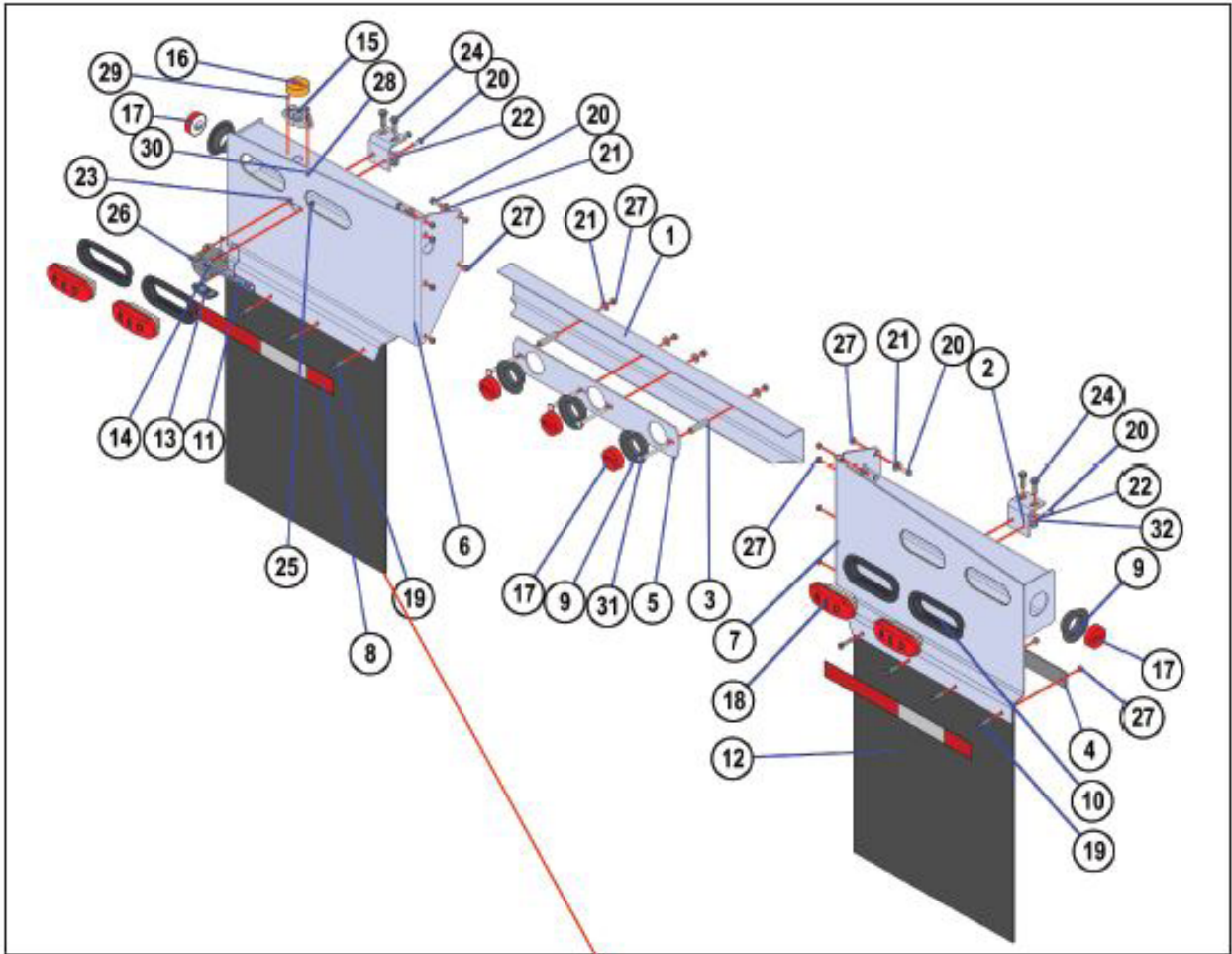
BOM ID	Qty	Item No	Description
1	2	5CAM9005	FRONT LIGHT/FENDER MOUNT
2	2	3CAM9091	FENDER RUBBER, 12" X 108", FRONT
3	2	3CAM9092	FENDER RUBBER, 8" X 108", FRONT
4	2	3CAM9386	FENDER SUPPORT, FRONT, 2013
5	4	1AEAP3548	LAMP, SUPER 10 GROMMET, 10700-3
6	2	1ARAP4010	GROMMET, PLUG, 2-3/4" HOLE, G8077-046000
7	2	1ARAP4045	GROMMET, 3/4" ID G3137-016
8	4	1AEAP4311	LAMP, LED, CLEAR/MARKER, YELLOW, 2-1/2"
9	60	1AFBP3232	BOLT, CARRIAGE, 1/2"-13 X 1-1/2", GRADE 5
10	60	1AFBP3704	NUT, LOCK, NYLON INSERT, 1/2"-13
11	6	5CAM9004	FRAME FENDER MOUNT
12	28	3CAM9089	FENDER WASHER
13	28	1AFBP3644	NUT, HEX LOCK, 5/16"-18, TOP LOCK
14	28	1AFBP3709	BOLT, FLANGE HEAD, 5/16"-18 X 1", GRADE 8, PLATED

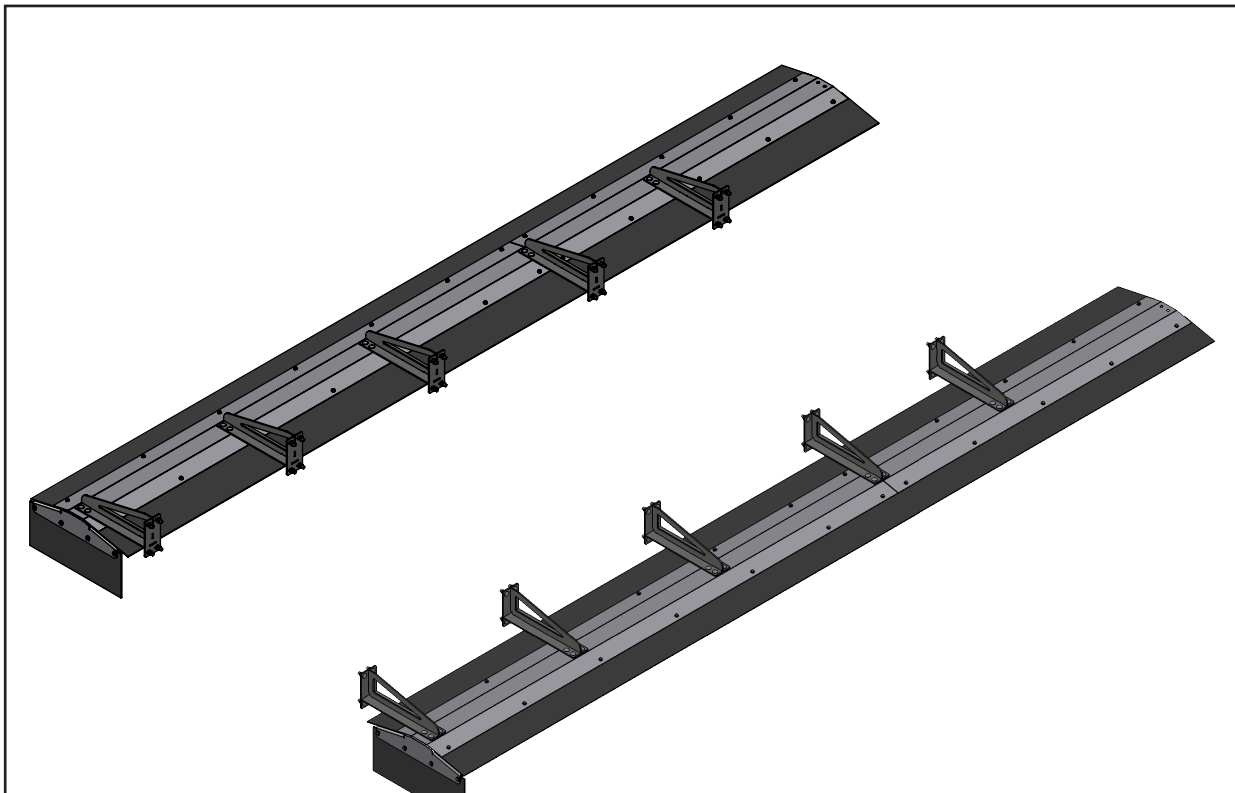
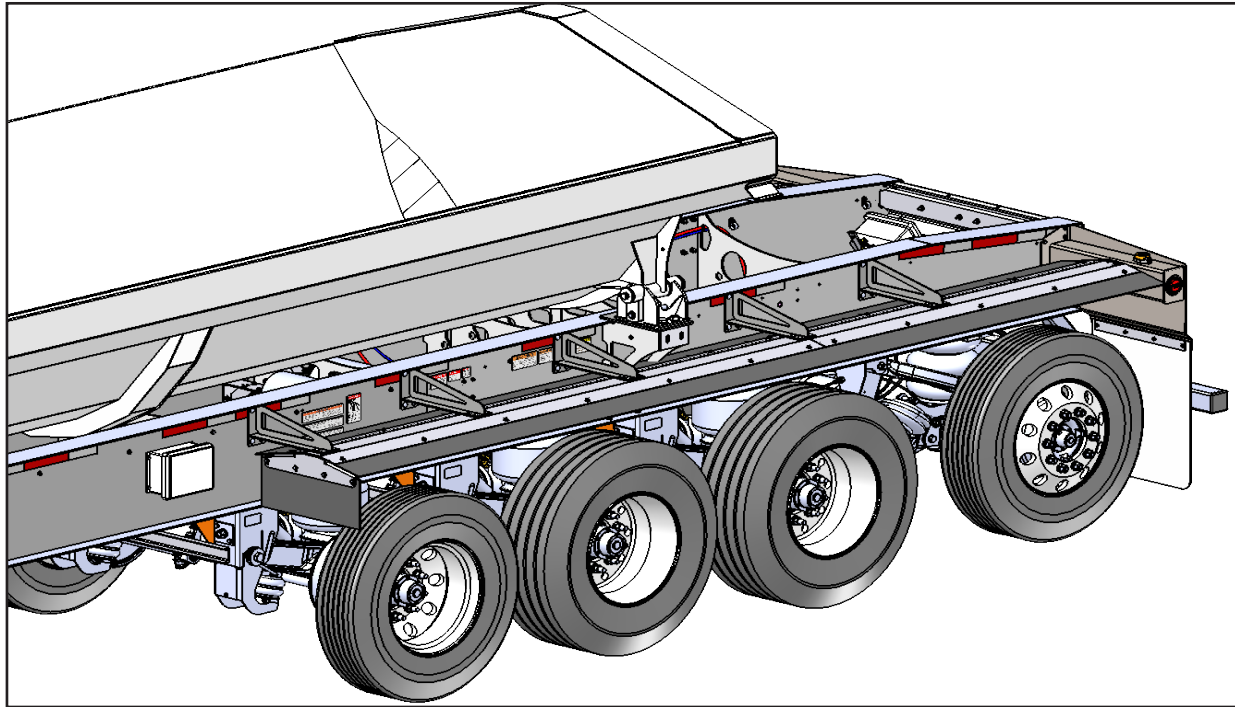
Rear Fender Panel Parts (All Models)



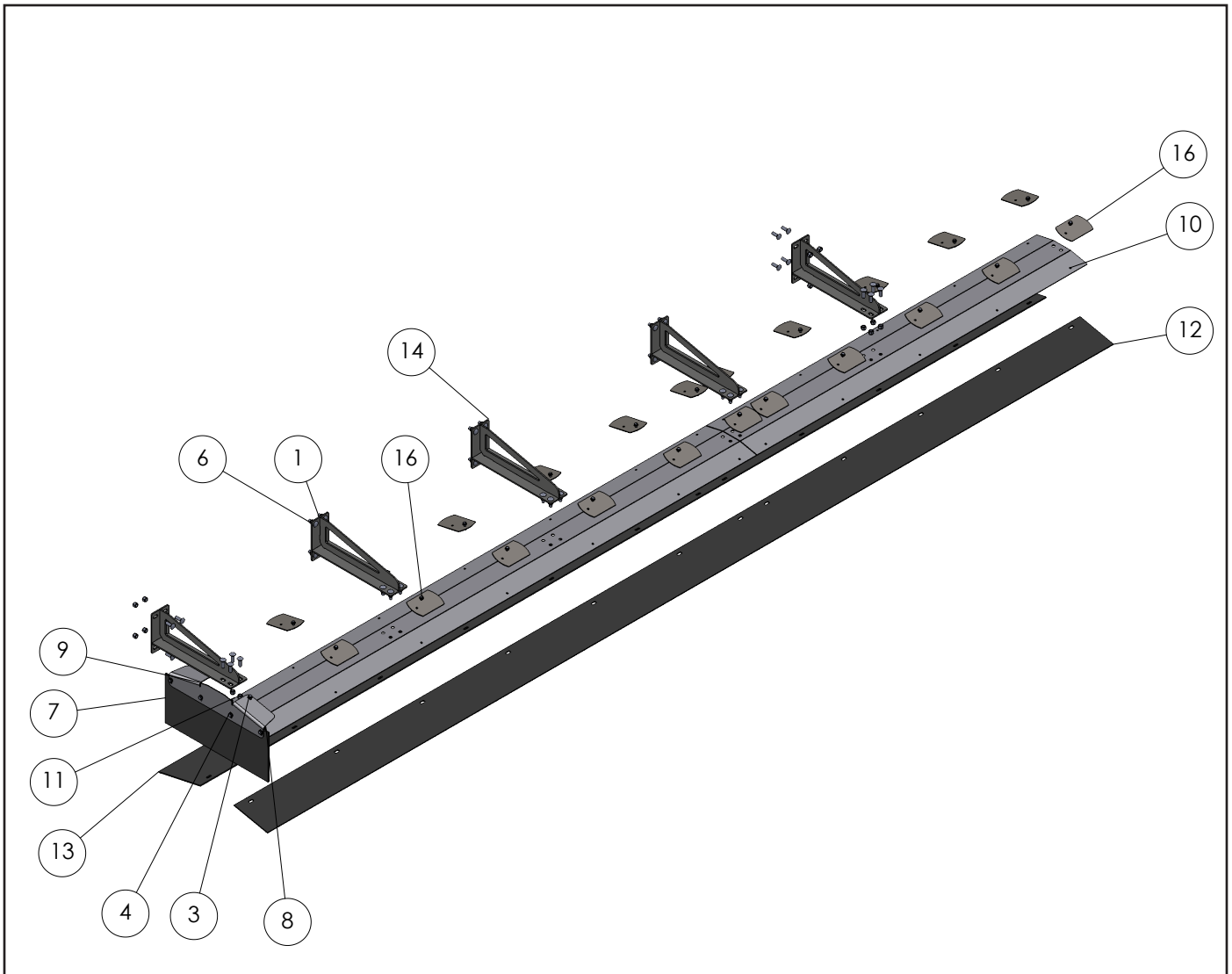
BOM ID	Qty	Item No	Description
1	1	AM9008	BACK COVER, ID LIGHTS
2	2	AM9010	BRACKET, FENDER MOUNT
3	2	AM9011	SPACER TUBE
4	2	AM9035	MUD FLAP BACKING STRAP
5	1	AM9058	ID LIGHT FACE PLATE
6	1	AM9341	WELDMENT, FENDER REAR PANEL, ROAD SIDE
7	1	AM9342	WELDMENT, FENDER REAR PANEL, CURB SIDE
8	2	AP3506	REFLECTIVE TAPE, RED/SILVER
9	5	AP3548	LAMP, SUPER 10 GROMMET, 10700-3
10	4	AP3551	GROMMET, OVAL, MODEL 60
11	1	AP3878	LICENSE PLATE BRACKET
12	2	AP4027	MUD FLAP, BLACK, RUBBER
13	1	AP4120	LICENSE PLATE LAMP, CLEAR, 12 VOLT
14	1	AP4121	LICENSE PLATE LAMP MOUNTING BRACKET, GREY
15	1	AP4301	ABS LIGHT BRACKET, 102008HP
16	1	AP4302	ABS LIGHT, 101731F
17	5	AP4310	LAMP, LED, CLEAR/MARKER, RED, 2-1/2"
18	4	AP3549	LAMP, LED, OVAL, STOP TURN & TAIL, RED
19	8	BP3692	BOLT, FLANGE HEAD, 3/8"-16 X 1", GRADE 8, PLATED
20	16	BP3006	HEX CAP SCREW, 3/8"-16 X 1", GRADE 5, PLATED
21	16	BP3015	WASHER, FLAT, 3/8", PLATED
22	4	BP3050	WASHER, FLAT, 1/2", PLATED
23	2	BP3055	WASHER, FLAT, 1/4", PLATED
24	4	BP3126	HEX CAP SCREW, 1/2"-13 X 1-1/2", GRADE 5, PLATED
25	2	BP3587	NUT, HEX, 1/4" NYLOCK
26	2	BP3600	HEX CAP SCREW, 1/4"-20 X 1" GRADE 8, PLATED
27	28	BP3612	NUT, HEX LOCK, 3/8"-16, TOP LOCK
28	2	BP3641	NUT, HEX LOCK, #10-24, NYLOCK
29	2	BP3642	PAN HEAD MACHINE SCREW, #10-24 X 3/4"
30	2	BP3643	WASHER, #10 USS FLAT Z
31	4	BP3687	BOLT, CARRIAGE, 3/8-16 X 4, GRADE 5, PLATED
32	4	BP3704	NUT, LOCK, NYLON INSERT, 1/2"-13

Rear Fender Panel Parts (All Models)



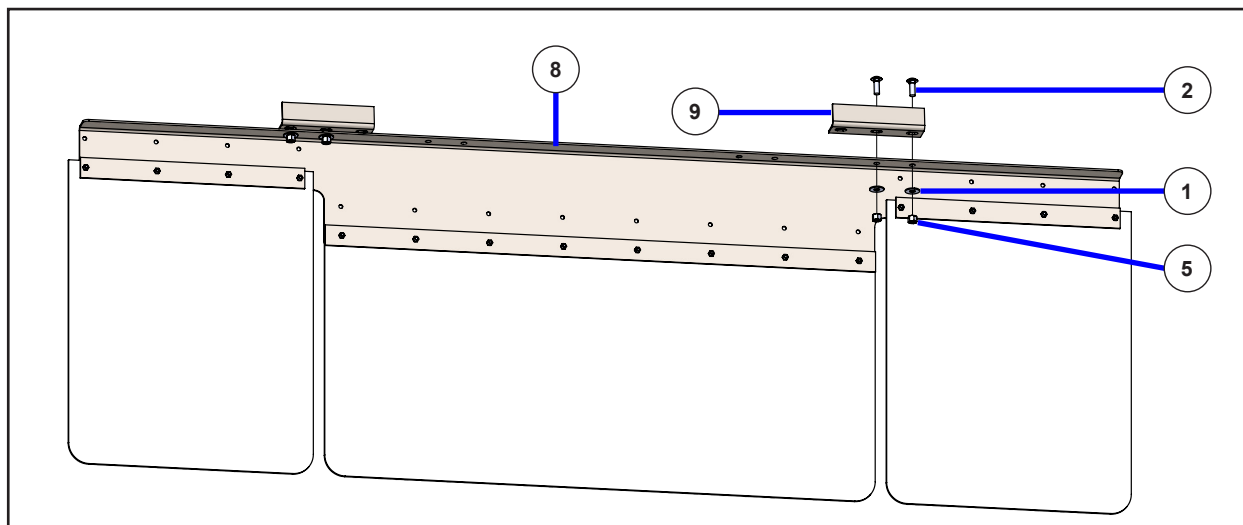
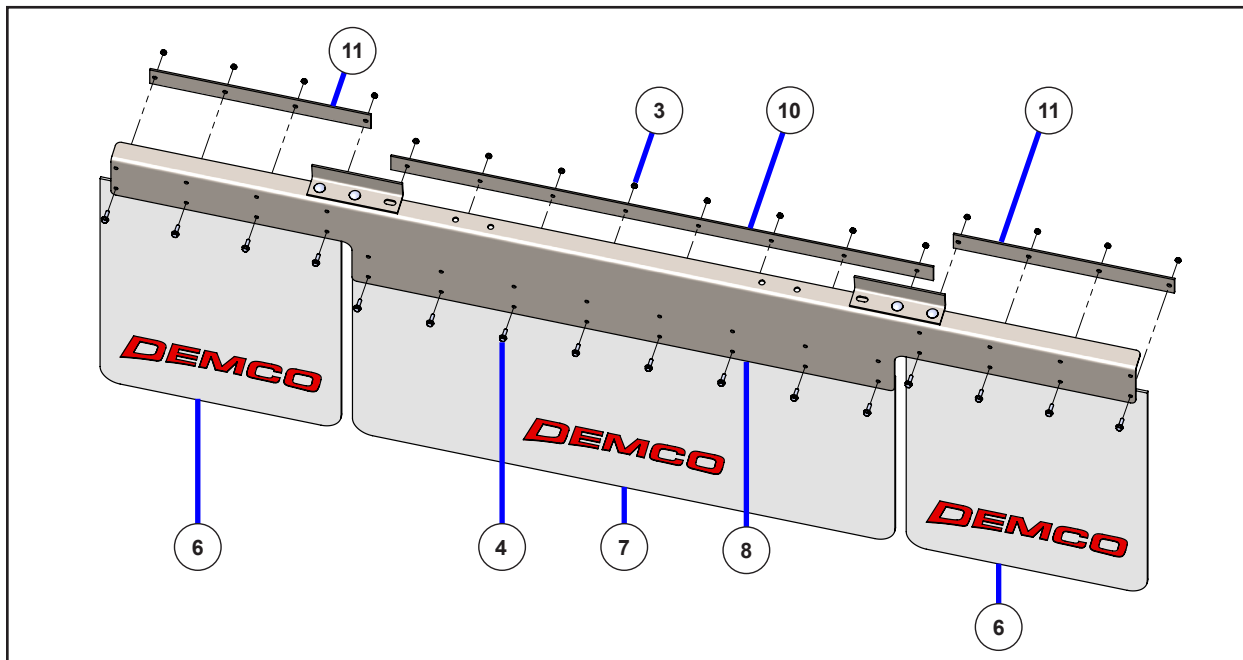


Rear Fender (5C000108)



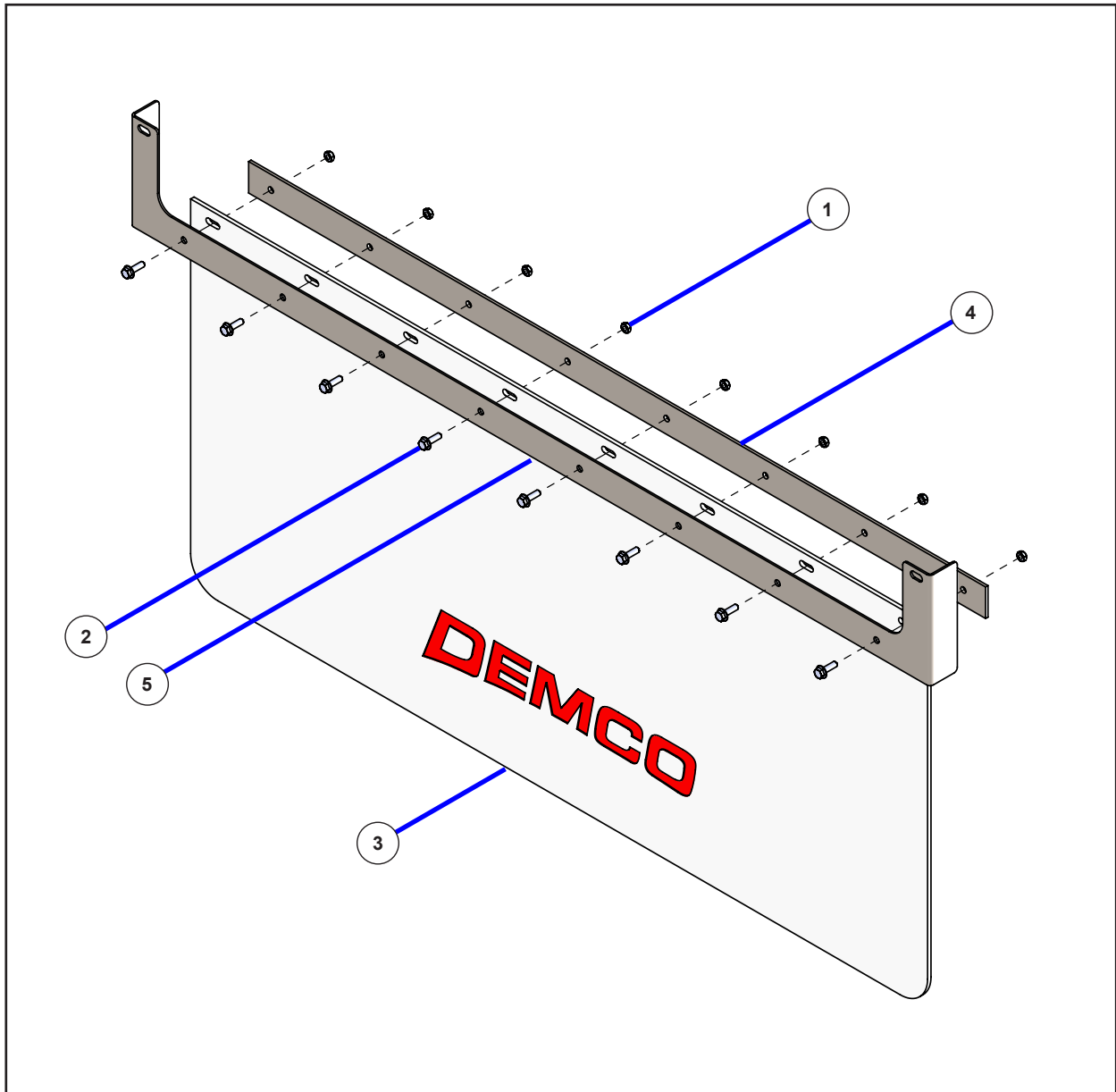
BOM ID	Qty	Item No	Description
1	40	1AFBP3232	BOLT, CARRIAGE, 1/2-13 X 1-1/2, GR.5
2	4	1AFBP3612	NUT, HEX LOCK, 3/8-16, TOP LOCK
3	24	1AFBP3644	NUT, HEX LOCK, 5/16-18, TOP LOCK
4	4	1AFBP3692	BOLT, FLANGE HEAD, 3/8-16 X 1, GR.8, PLATED
5	24	1AFBP3709	BOLT, FLANGE HEAD, 5/16-18 X 1, GR.8, PLATED
6	40	1AFC18H0000	NYLON INSERT LOCKNUT, 1/2-13 UNC
7	1	1AUAP4027	MUD FLAP, BLACK, RUBBER
8	1	3CAM9035	MUD FLAP BACKING STRAP
9	22	3CAM9089	FENDER WASHER
10	1	3CAM9411	MUD FLAP MOUNT, FENDER
11	1	3CAM9449-1	FENDER SUPPORT, REAR, SPREAD, 77-1/8"
12	1	3CAM9455-1	FENDER SUPPORT, REAR, QUAD, 120-1/4"
13	1	3CAM9456	FENDER RUBBER, REAR, 8", QUAD, 34' TUB, 197-1/2"
14	1	3CAM9457	FENDER RUBBER, REAR, 12", QUAD, 34' TUB, 197-1/2"
15	5	5CAM9004	FRAME FENDER MOUNT

Center Mudflap Options

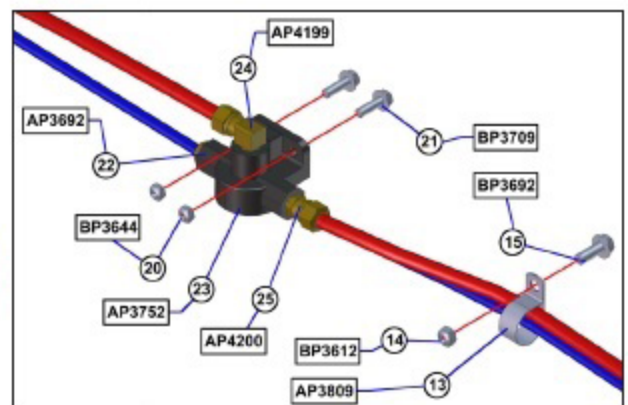
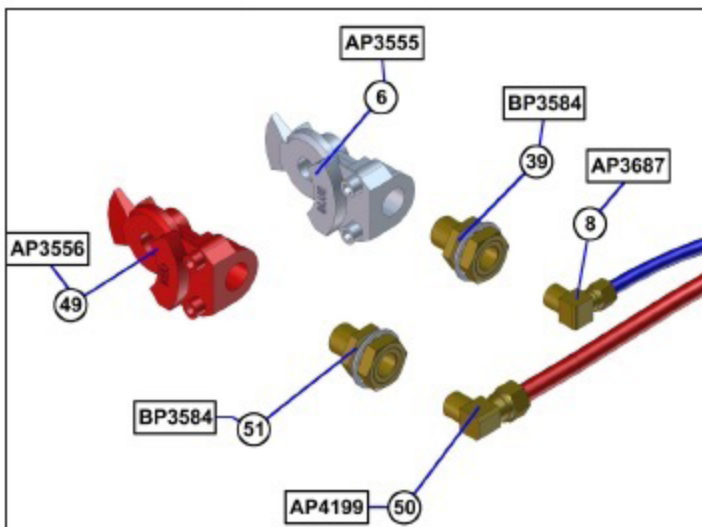
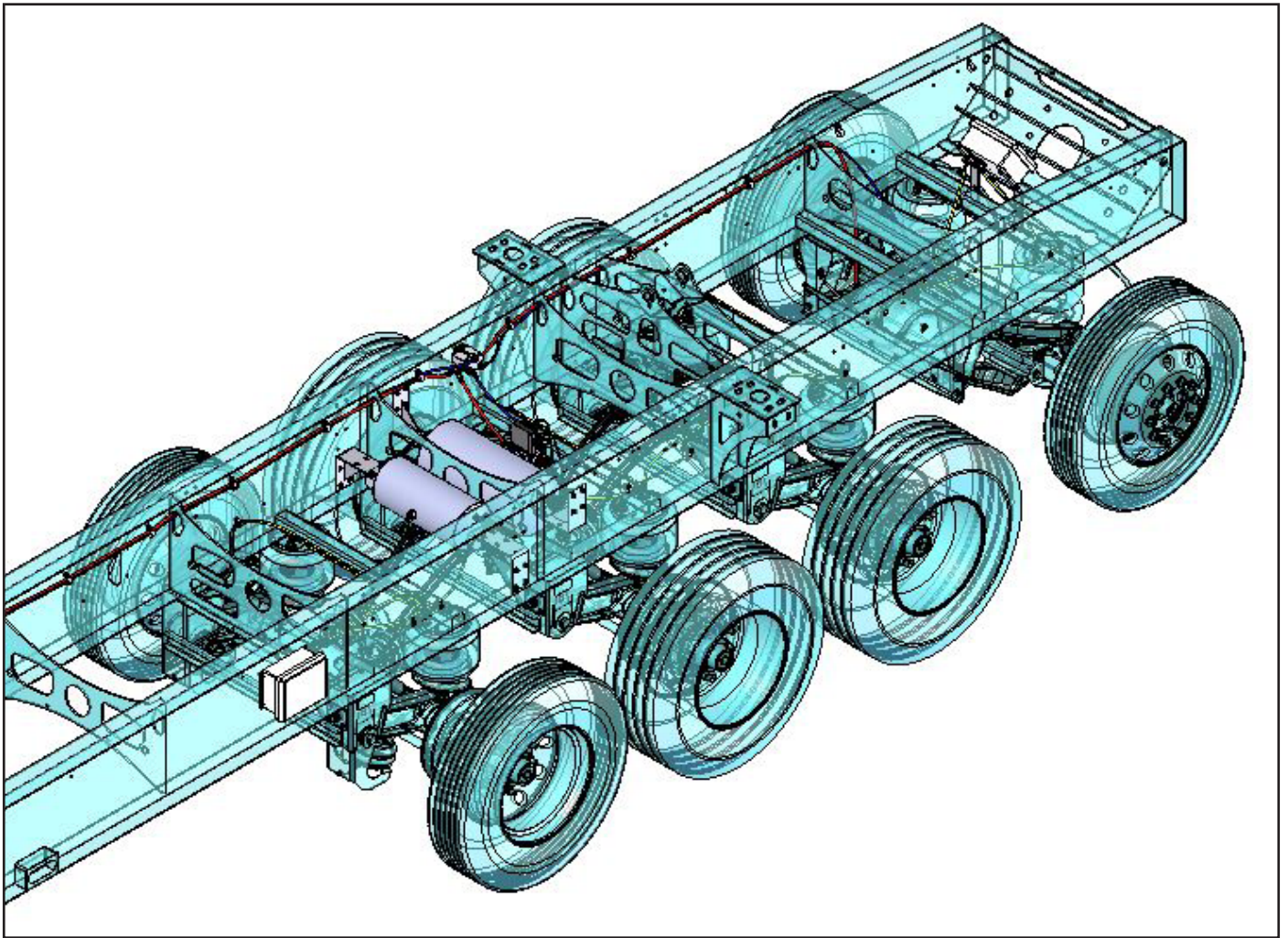


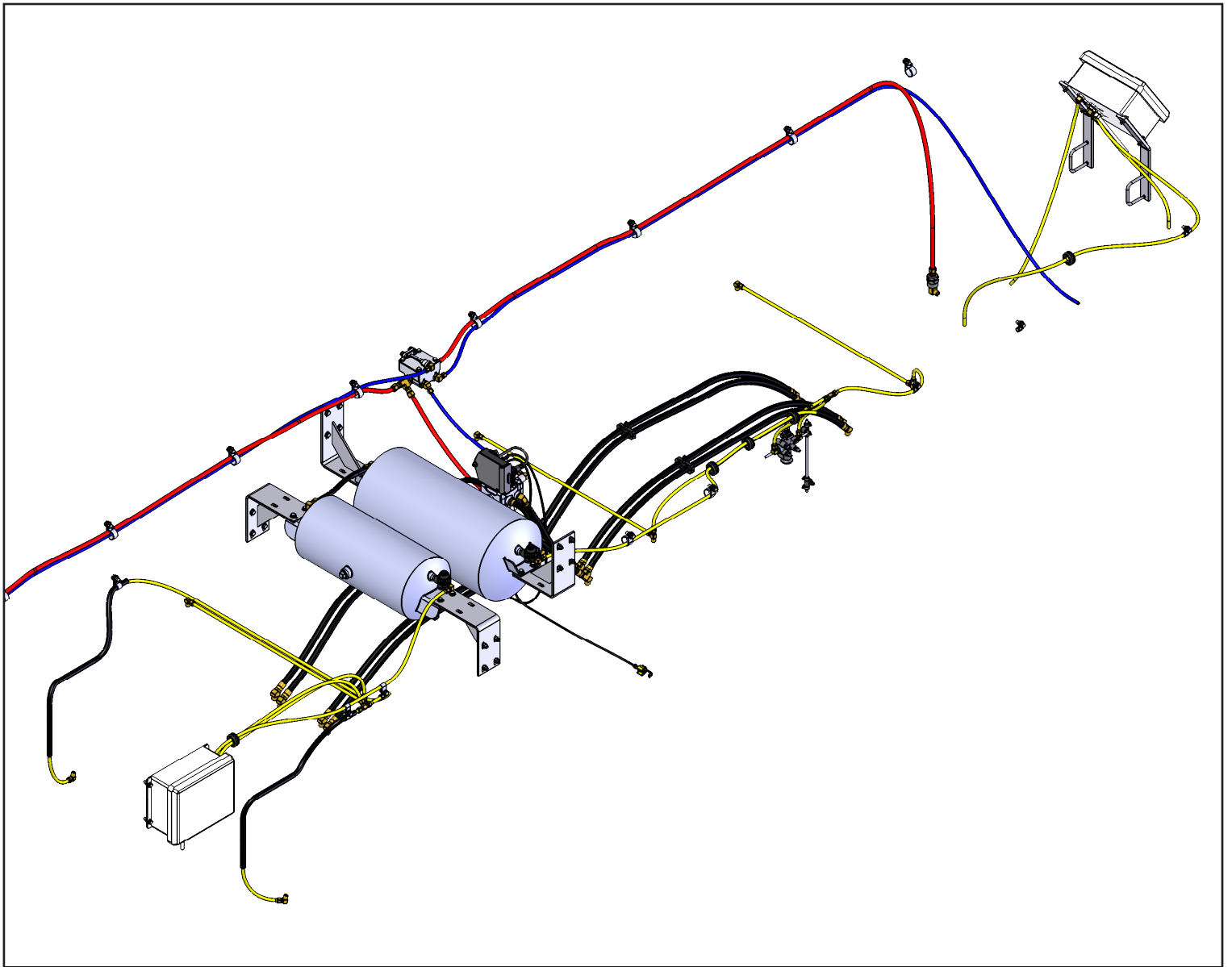
5C000184 (FRONT CENTER MUDFLAP OPTION)

BOM ID	Qty	Item No	Description
1	4	1AF009H0000	WASHER, FLAT, 1/2", PLTD
2	4	1AFBP3232	BOLT, CARRIAGE, 1/2"-13 X 1-1/2", GR 5
3	16	1AFBP3644	NUT, HEX LOCK, 5/16"-18 TOP LOCK, PLTD
4	16	1AFBP3709	BOLT, FLANGE HEAD, 5/16"-18 X 1", GR 8, PLTD
5	4	1AFC18H0000	NUT, HEX LOCK, 1/2"-13, NYLOCK, PLTD
6	2	1AU00000804	MUDFLAP, DEMCO, 24" X 30"
7	1	1AU00000807	CENTER MUD FLAP, 54" X 24.5" W/ LOGO
8	1	3C000178	FRONT CENTER MUDFLAP BRKT
9	2	3C000179	FRONT CENTER MUDFLAP CLAMP
10	1	3C000180	CENTER MUDFLAP BACKING STRAP
11	2	3CAM9035	MUD FLAP BACKING STRAP



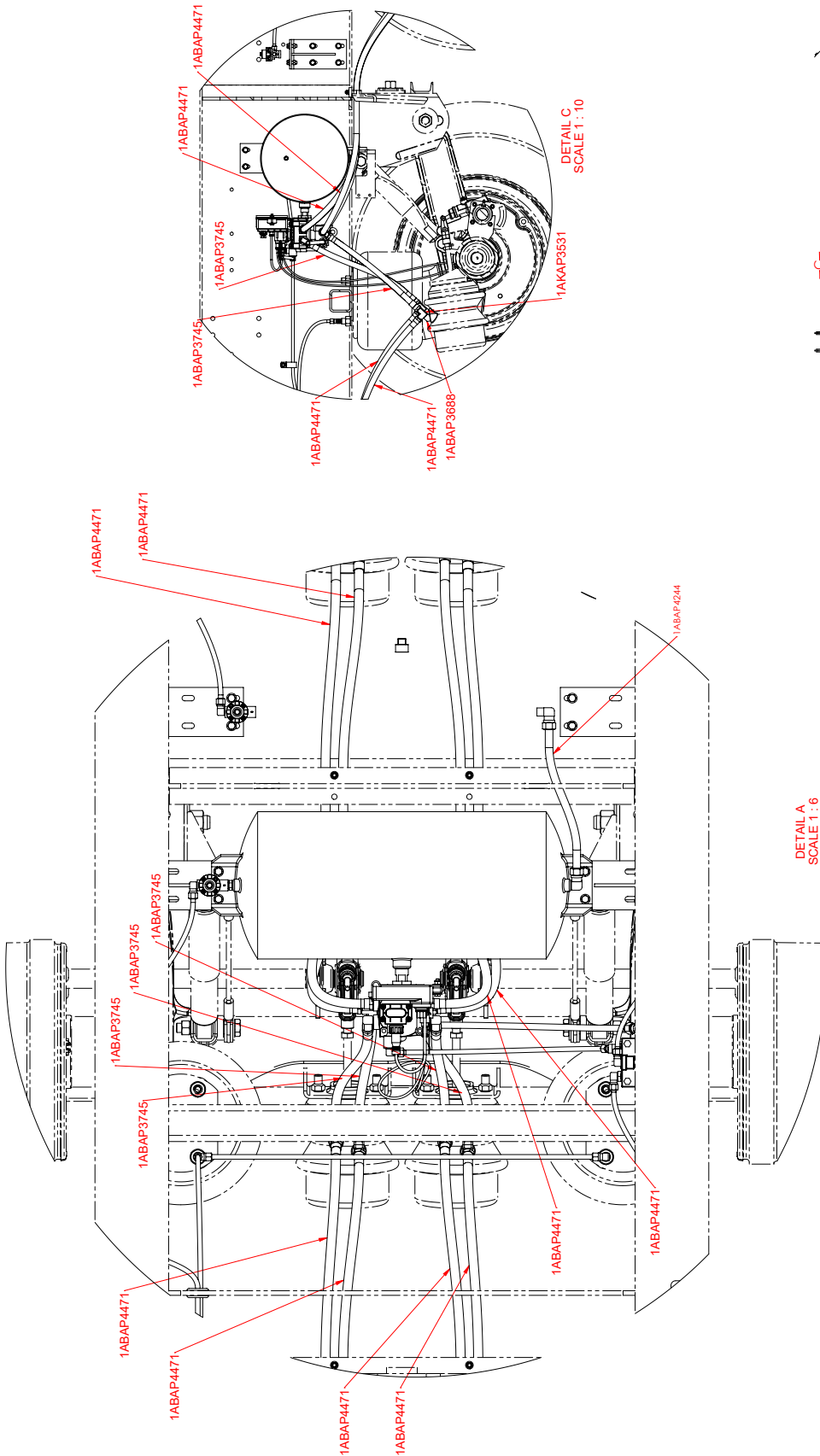
5C000186 (REAR CENTER MUDFLAP OPTION)			
BOM ID	Qty	Item No	Description
1	8	1AFBP3644	NUT, HEX LOCK, 5/16"-18 TOP LOCK, PLTD
2	8	1AFBP3709	BOLT, FLANGE HEAD, 5/16"-18 X 1, GR 8, PLTD
3	1	1AU00000807	CENTER MUD FLAP, 54" X 24.5" W/ LOGO
4	1	3C000180	CENTER MDUFLAP BACKING STRAP
5	1	5C000185	REAR CENTER MUDFLAP BRKT WELDMENT





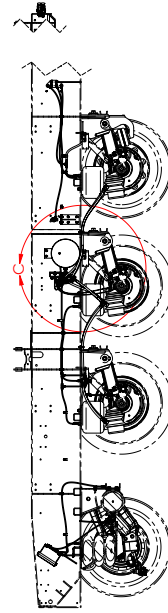
Air Supply Parts (CBX Air Ride Quad-Axle, Air Lift)

BOM ID	Qty	Item No	Description
1	2	1AAP4306	VALVE ASSEMBLY, LIFT AXLE CONTROL W/ BOX & INSTRUCTIONS
2	15	1ABOCL38140	ELBOW, 1/4" MP X 3/8" TUBE, 90, BRASS
3	4	1ABOCL38380	ELBOW, 3/8" MP X 3/8" TUBE, 90, BRASS
4	1	1ABOCS38140	ADAPTER, 1/4" MP X 3/8" TUBE, STRT, BRASS
5	3	1ABOCT38380	TEE, UNION, 3/8" TUBE
6	2	1AB0DDRAIN0	DRAIN COCK, 1/4" NPT
7	1	1AB0G0000E0	GLADHAND, EMERGENCY, RED
8	1	1AB0G0000S0	GLADHAND, SERVICE, BLUE
9	50	1AB0T0375B0	3/8" BRAKE LINE - BLUE
10	1	1ABAP3524	AIR TANK, 2800 CU IN
11	49	1ABAP3537	NYLON TUBING, RED, 1/2"
12	1	1ABAP3554	AIR TANK, 1488 CU IN
13	57	1ABAP3683	NYLON TUBING, YELLOW, 3/8"
14	1	1ABAP3686	TUBE, 3/8" X 3/8" MP, ELBOW
15	12	1ABAP3688	STREET ELBOW, 3/8". 45 DEGREE
16	4	1ABAP3698	HEX BUSHING, 1/2 X 3/8, BRASS
17	4	1ABAP3745	HOSE, 1/2 AIR BRAKE X 20, 3/8MP-3/8MPX
18	1	1ABAP3752	QUICK RELEASE VALVE
19	2	1ABAP4199	TUBE, 1/2 X 3/8 MP, 90, NUT & FERRULE, BRASS
20	6	1ABAP4200	TUBE, 1/2 X 3/8 MP, STRT, NUT & FERRULE, BRASS
21	1	1ABAP4201	NIPPLE, HEX REDUCER, 3/8 MP X 1/4 MP, BRASS
22	2	1ABAP4243	TUBE, 5/8" X 3/8" MP, 90, NUT & FERRULE, BRASS
23	-	1ABAP4244	NYLON TUBING, BLACK 5/8"
24	4	1ABAP4392	HOSE CLAMP, 2 HOLE, 1/2 AIR BRAKE
25	4	1ABAP4471	HOSE, 1/2 AIR BRAKE X 52, 3/8MP-3/8MPX
26	6	1AEAP3805	1/2" HOSE SUPPORT CLAMP, 3/8" BOLT
27	2	1AEAP3806	3/4" HOSE SUPPORT CLAMP, 3/8" BOLT
28	-	1AEM0LCP500	1/2" ID CONV WIRE LOOM
29	8	1AF009F0000	WASHER, FLT, 3/8", PLATED
30	23	1AFAP3809	1-1/4" HOSE SUPPORT CLAMP, 3/8" BOLT
31	1	1AKPAAC0000	HEX PLUG, 3/8", BRASS
32	2	1AFBP3362	U-BOLT, 3/8"-16 X 3W X 4L
33	2	1AFBP3584	BOLT, TERMINAL, HB646
34	1	1AFBP3587	1/4" NYLOCK NUT
35	56	1AFBP3612	NUT, HEX LOCK, 3/8-16, TOP LOCK
36	14	1AFBP3644	NUT, HEX LOCK, 5/16-18, TOP LOCK
37	1	1AFBP3648	BOLT, 1/4 X 1-1/4 GR.8
38	52	1AFBP3692	BOLT, FLNG HEAD, 3/8-16 X 1, GR.8, PLATED
39	12	1AFBP3709	BOLT, FLNG HEAD, 5/16-18 X 1, GR.8, PLATED
40	7	1AKAP3531	STRET TEE, 3/8", 90 DEGREES
41	3	1AKAP3532	STREET ELBOW, 3/8", 90 DEGREES
42	1	1AKAP4349	VALVE, CHECK, 3/8MP-3/8FP, HALDEX N-13526-AG
43	1	1AKAPAAE0000	PLUG, SQUARE HEAD, 3/4" NPT, BLACK
44	3	1AKTAACAAB0	TEE, RUN, 1/4 MP X 3/8 TUBE X 3/8 TUBE, BRASS
45	5	1ARAP4549	GROMMET, 1-3/8 OD X 1 ID X 3/8
46	1	1ASAP3557	VALVE, RELAY, HALDEX N-30096-PA
47	1	1ASH1000000	HVC, IMMDET RSPNSE-NO DUMP
48	2	1ASHP000000	VALVE, AIR PRESSURE PROTECTION W/ FILTER
49	2	3CAM9193	BRACKET, MOUNTING, LIFT AXLE CONTROL BOX
50	4	5CAM9018	BRACKET, AIR TANK MOUNTING
51	2	1AFBP3111	HEX CAP SCREW, 5/16-18 S 2-1/2, GR.5, PLATED

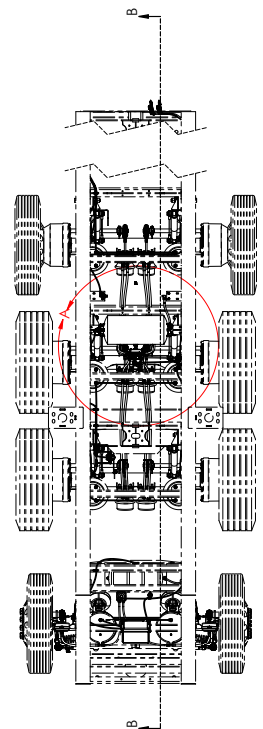


DETAIL C
SCALE 1:10

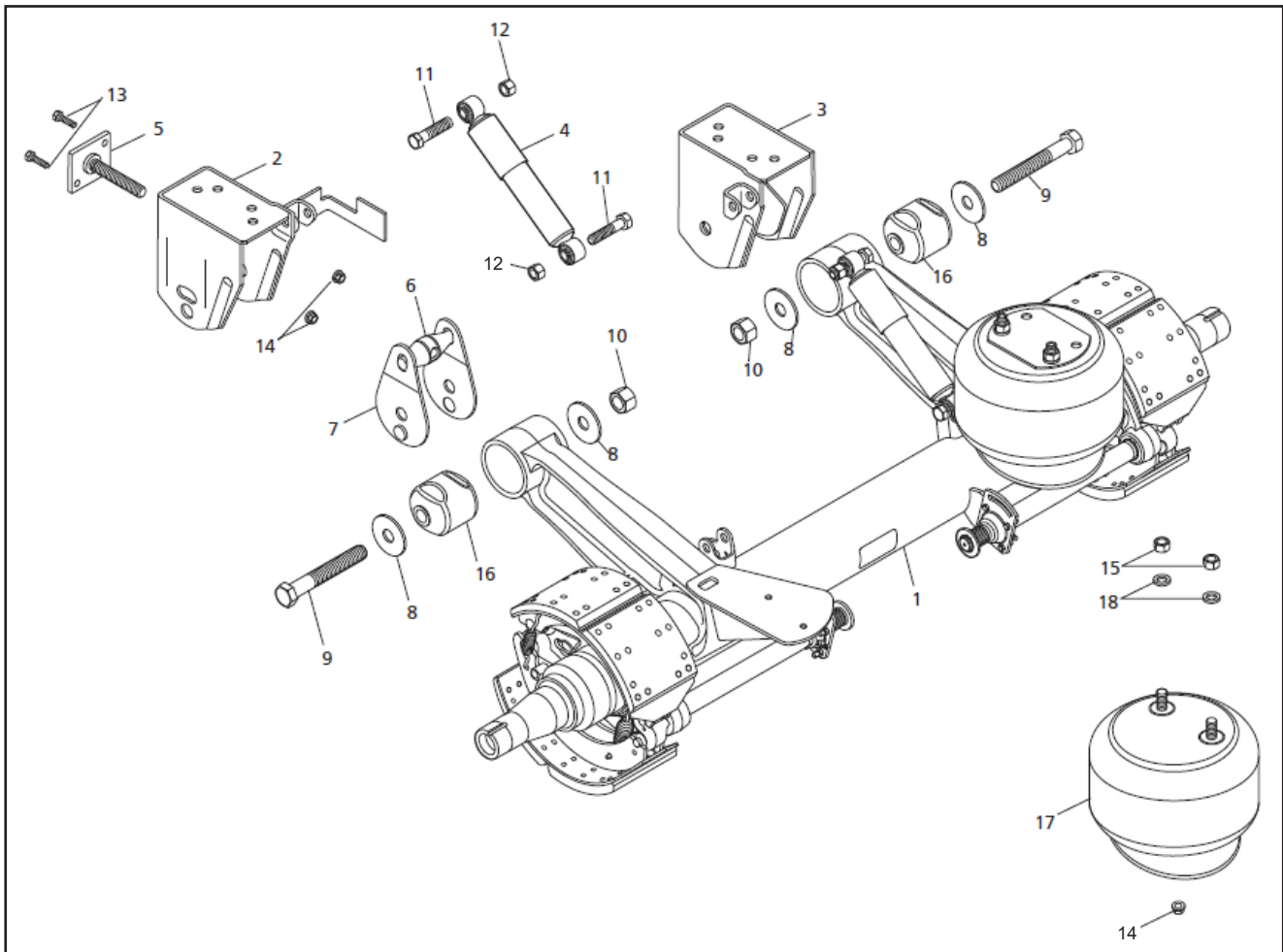
DETAIL A
SCALE 1:6



SECTION B.B
SCALE 1:36

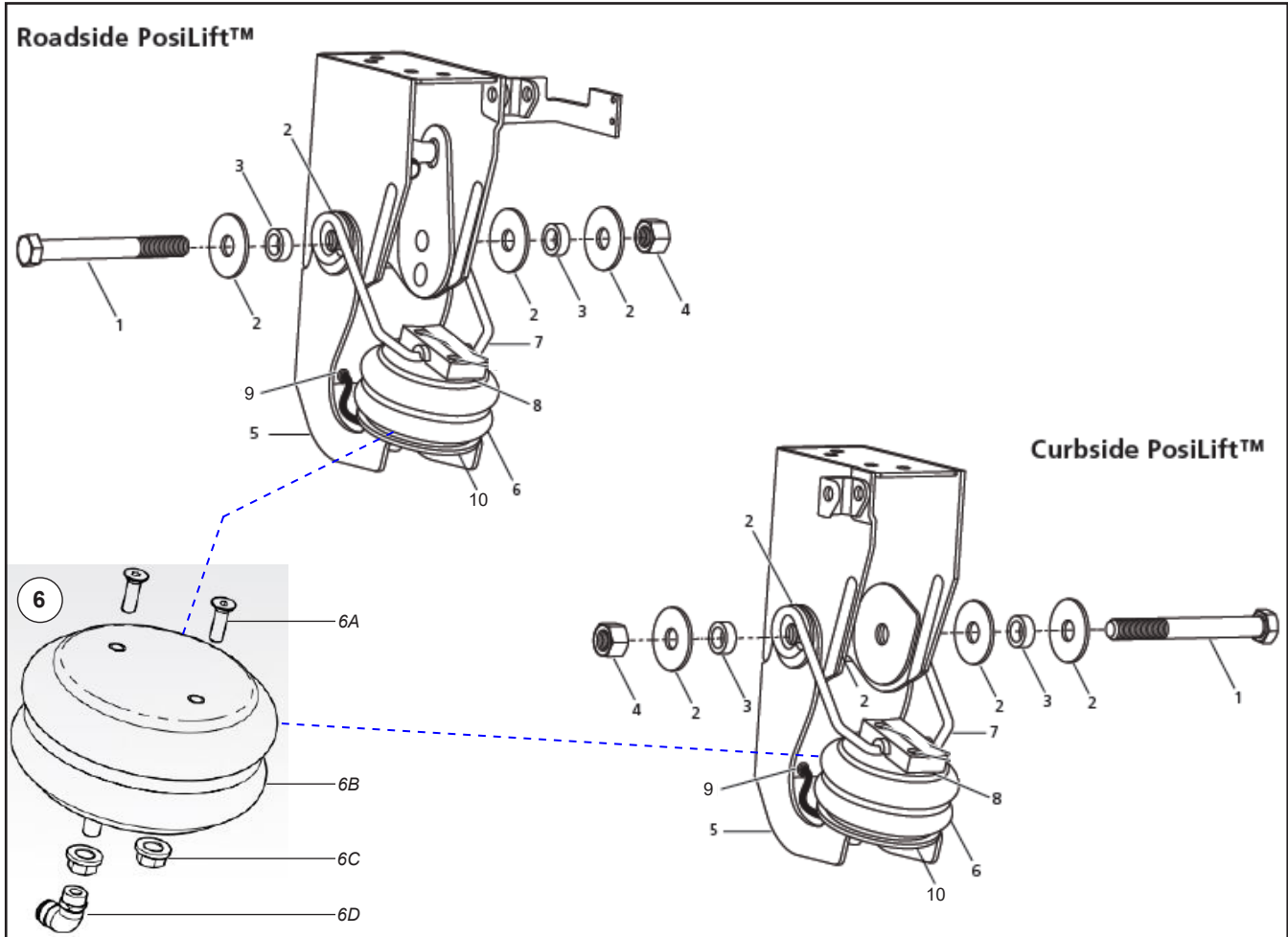


CBX23 Standard Suspension Parts



BOM ID	Qty / Axle	Item No	Description
1	-	N/A	CBX23 W/245 AXLE AND BEAM ASSEMBLY
2	1	1ASAP4625	SAF-H FRAME MOUNT, ROAD SIDE, CBX23-245 (90521810)
3	1	1ASAP4624	SAF-H FRAME MOUNT, CURB SIDE, CBX23-245 (90521813)
4	2	1AS90045299	SAF-H SHOCK ABSORBER, 17" RIDE HEIGHT (90045299)
5	1	1ASAP4682	SAF-H THREADED ROD ASSY, CBX SWING-ALIGN (90548007)
6	1	1ASAP4683	SAF-H YOKE, CBX SWING-ALIGN (90045491)
7	2	1ASAP4684	SAF-H PLATE WELDMENT, CBX SWING-ALIGN (90531339)
8	4	1ASAP4685	SAF-H WASHER, 1-1/8" I.D. X 3-1/2" O.D. GR 8 (93600553)
9	2	1AS48100697	SAF-H CBX AXLE PIVOT BOLT W/O POSILIFT (48100697)
10	2	1ASAP4429	SAF-H NUT, HEX LOCK, 1-1/8" - 7 GR C (93400506)
11	4	1AFBP3145	BOLT, HEX HEAD, 3/4" - 10 X 4-1/2", GR 5, PLATED
12	4	1AFBP3442	NUT, HEX, 3/4" - 10, TOP LOCK, GR C, PLATED
13	2	1AFC12HBA05	BOLT, HEX HEAD, 1/2" - 13 X 2", GR 5, PLATED
14	4	1AFC08H0000	NUT, HEX SERRATED FLANGE, 1/2" - 13, PLATED
15	4	1ASAP4687	SAF-H AIR SPRING TOP MOUNT NUT, 3/4" - 16, GR B (93400149)
16	2	1ASAP4688	SAF-H BUSHING ONLY, PIVOT, CAST BEAM, CBX23-245 (90008247)
16A*	-	N/A	SAF-H BUSHING REPAIR KIT, PIVOT, CAST BEAM, CBX23-245 (48100698)
16B*	-	N/A	SAF-H INSTALL TOOL, PIVOT BUSHING, CAST BEAM, CBX23-245 (50544015)
17	2	1ASAP4689	SAF-H AIR SPRING ASSY, 16.0" - 19.0" RIDE HEIGHT (90557399)
18	4	1AF015L0000	WASHER, LOCK, 3/4", PLATED
19*	2	1ASAP4779	STRAP, SHOCK ABSORBER LIMIT, CBX23-245, 17" RIDE HEIGHT

*NOT SHOWN IN ABOVE PARTS DIAGRAM



BOM ID	Qty / Axle	Item No	Description
1	2	1AS11005217	SAF-H CBX AXLE PIVOT BOLT W/POSILIFT (11005217)
2	8	1ASAP4685	SAF-H WASHER, 1-1/8" I.D. X 3-1/2" O.D. GR 8 (93600553)
3	4	N/A	SAF-H SPACER, PIVOT BOLT (93900295)
4	2	1ASAP4429	SAF-H NUT, HEX LOCK, 1-1/8" - 7 GR C (93400506)
5	2	N/A	SAF-H CBX POSLIFT PIVOT MOUNT BRACKET (90026334)
6	2	1ASNS040000	SAF-H AIR SPRING KIT, CBX POSILIFT LIFT BAG (48100497)
6A	4	N/A	SAF-H CAP SCREW, FLAT-HEAD, HEX BIT (93006039)
6B	2	1ASN0040000	SAF-H AIR SPRING, CBX POSILIFT LIFT BAG (90557366)
6C	4	1AFC08H0000	NUT, HEX SERRATED FLANGE, 1/2" - 13, PLATED (93400623)
6D	2	1AB0CL38080	FITTING, 90° ELBOW, 1/8 MPT X 3/8" TUBE (XB-09226)
7	2	N/A	SAF-H CBX POSILIFT GUIDE ARM (90006624)
8	2	N/A	SAF-H CBX POSILIFT BEARING BLOCK (90045590)
9	2	1AR00000094	GROMMET, 3/8" I.D. X 5/8" HOLE (90045591)
10	2	N/A	SAF-H CBX POSILIFT, LIFT AIR SPRING MOUNT PLATE (90034803)

NOTE: ALL SUSPENSION COMPONENTS ON THE LIFT AXLE ARE IDENTICAL TO THE STANDARD AXLE, EXCEPT FOR THE **POSILIFT** COMPONENTS LISTED ON THIS PAGE.

***This Manual is included with your Demco Trailer.
Online Manuals are also available on the company's
website: <https://safholland.com/us/en/>***



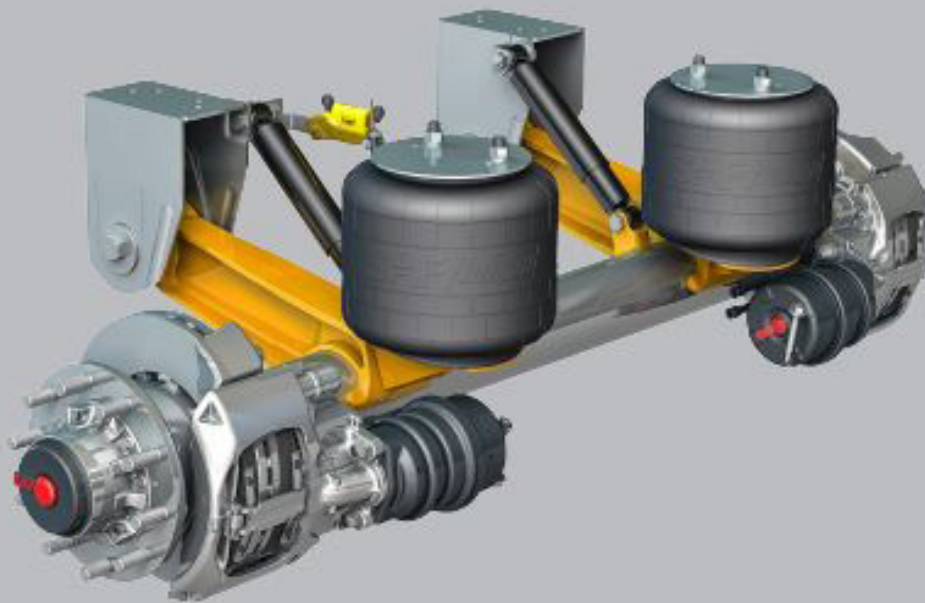
**Your Trailer is equipped with Axle Model:
CBX23-245 with 17" ride height.**

Installation and Operation Manual

CBX/CB Series

Fixed Frame Top Mount Trailer Air Suspension

- For Disc and Drum Brake Applications





From fifth wheel rebuild kits to suspension bushing repair kits, SAF-HOLLAND Original Parts are the same quality components used in the original component assembly.

SAF-HOLLAND Original Parts are tested and designed to provide maximum performance and durability. Will-fits, look-alikes or, worse yet, counterfeit parts will only limit the performance potential and could possibly void SAF-HOLLAND's warranty. Always be sure to spec SAF-HOLLAND Original Parts when servicing your SAF-HOLLAND product.

SAF-HOLLAND USA • 888.396.6501 • Fax 800.356.3929
www.safholland.us

SAF-HOLLAND CANADA • 519.537.3494 • Fax 800.565.7753
WESTERN CANADA • 604.574.7491 • Fax 604.574.0244
www.safholland.ca

SAF-HOLLAND MEXICO • 52.55.5362.8743 • Fax 52.55.5362.8743
www.safholland.com.mx

info@safholland.com

*This Manual is included with your Demco Trailer.
Online Manuals are also available on the company's
website: <https://safholland.com/us/en/>*

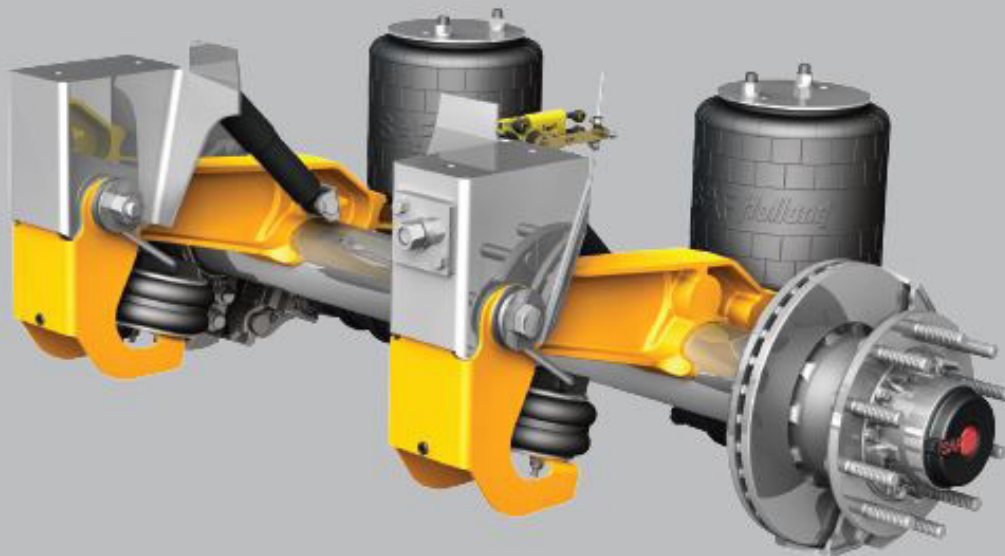


Your Trailer is equipped with Axle Model:
CBX23-245 with 17" ride height.

Installation and Maintenance Manual

PosiLift™ Air Lift

- Fixed Frame CBX Series
- CB-2300 Series



XL-AR462 Rev L





From fifth wheel rebuild kits to suspension bushing repair kits, SAF-HOLLAND Original Parts are the same quality components used in the original component assembly.

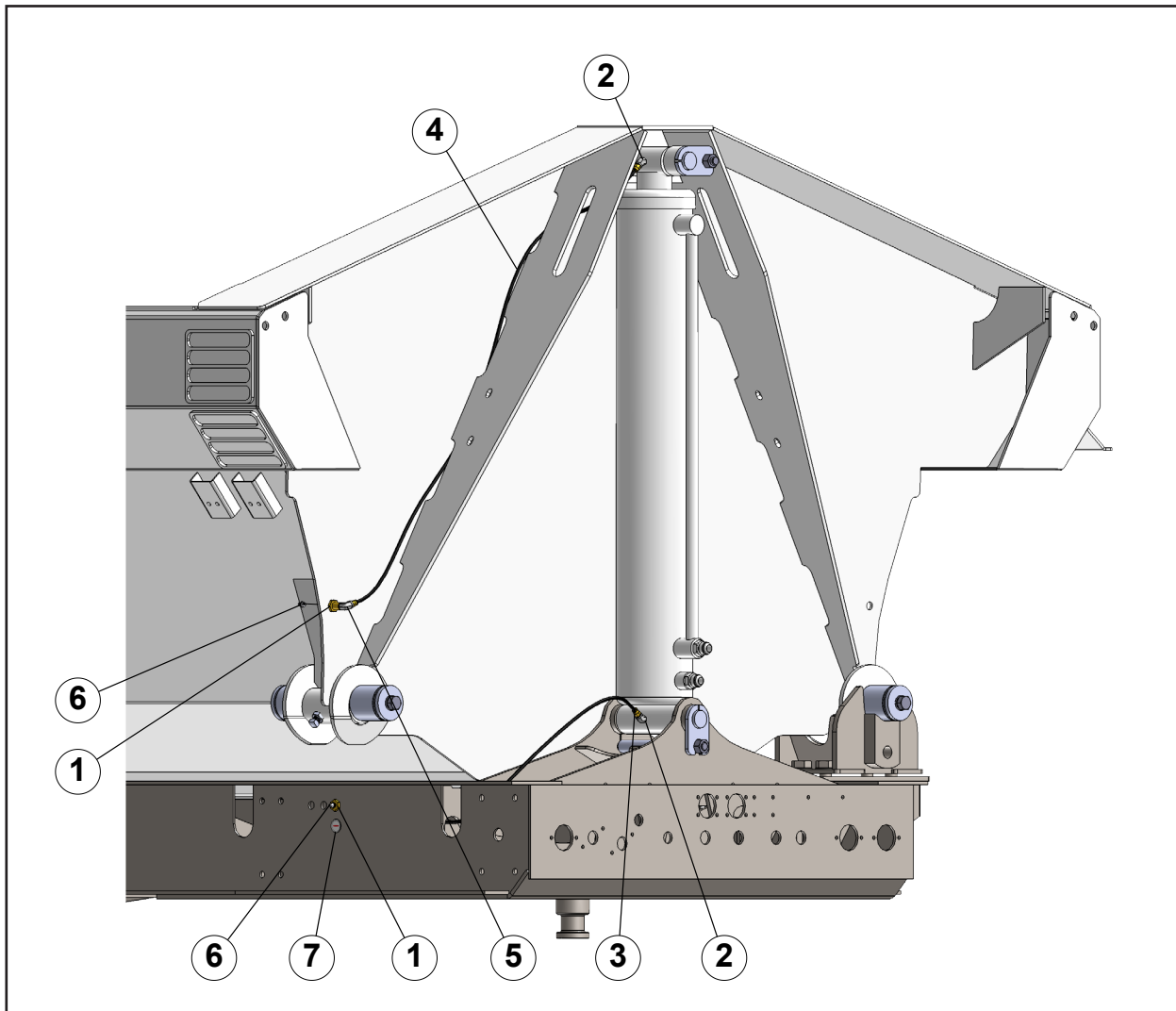
SAF-HOLLAND Original Parts are tested and designed to provide maximum performance and durability. Will-fits, look-alikes or, worse yet, counterfeit parts will only limit the performance potential and could possibly void SAF-HOLLAND's warranty. Always be sure to spec SAF-HOLLAND Original Parts when servicing your SAF-HOLLAND product.

SAF-HOLLAND USA • 888.396.6501 • Fax 800.356.3929
www.safholland.us

SAF-HOLLAND CANADA • 519.537.3494 • Fax 800.565.7753
WESTERN CANADA • 604.574.7491 • Fax 604.574.0244
www.safholland.ca

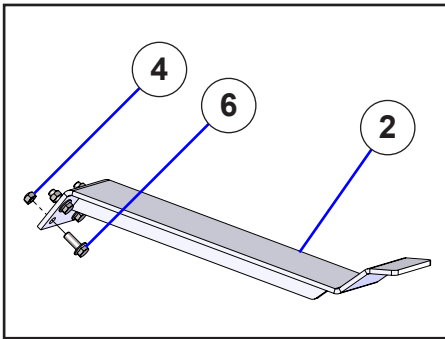
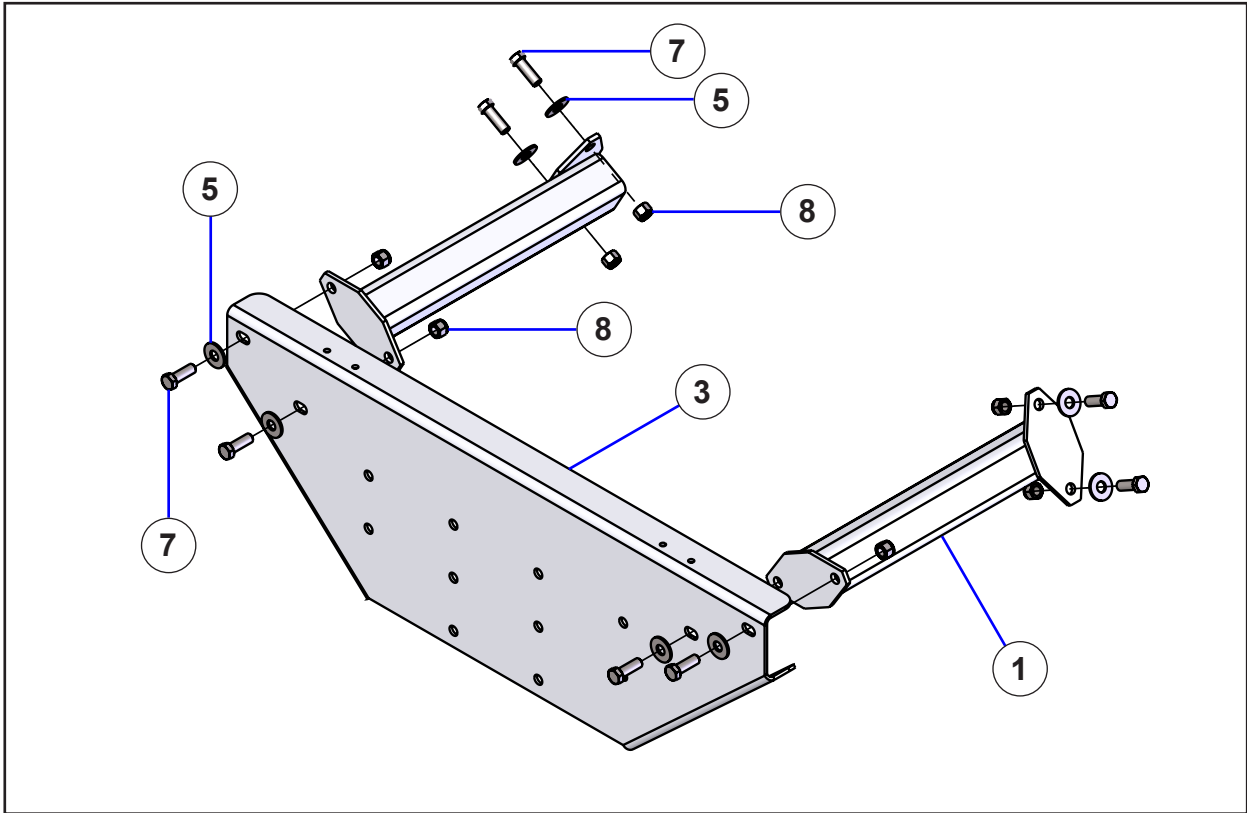
SAF-HOLLAND MEXICO • 52.55.5362.8743 • Fax 52.55.5362.8743
www.safholland.com.mx

info@safholland.com

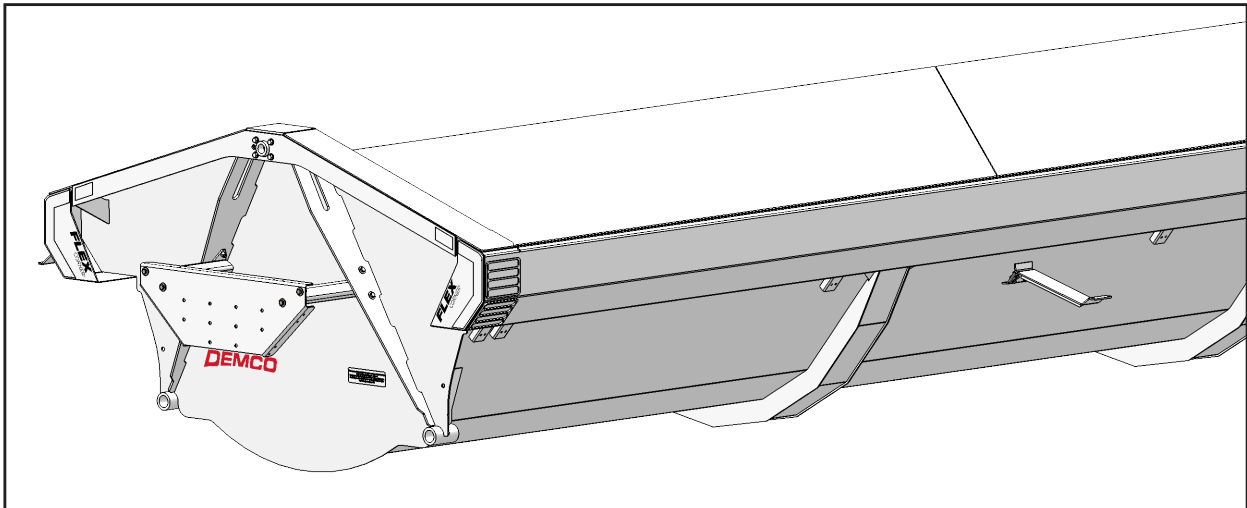


BOM ID	Qty	Item No	Description
1	4	1AFBP3423	BULKHEAD FITTING, 1/8" FNPT - 1/8" FNPT
2	4	1AKEABAAAA0	45 DEG ELBOW ADAPTER, 1/8" FNPT X 1/8" MNPT
3	2	1AKHAAAACA0	1/8" X 50" GREASE HOSE, 1/8" MNPT RIGID X 1/8" MNPT SWIV
4	2	1AKHAAAACA1	1/8" X 60" GREASE HOSE, 1/8" MNPT RIGID X 1/8" MNPT SWIV
5	2	1AKLABAAAA0	90 DEG ELBOW ADAPTER, 1/8" FNPT - 1/8" MNPT
6	4	1AKZAAA0000	1/8"-27 GREASE ZERK, STRAIGHT, PLTD
7	4	1AQBC015065	DECAL, GREASE GUN, RED ON WHITE

Aero Electric Tarp Mounts



BOM ID	Qty	Item No	Description
1	4	5CAM9038	TARP CHANNEL MOUNT
2	2	5C000008	TARP SUPPORT BRACKET, AERO/ROLL-RITE
3	2	5C000021	AERO TARP MOUNT PLATE ASSY
4	8	1AFBP3612	NUT, HEX LOCK, 3/8-16, TOP LOCK, GR C, PLTD
5	16	1AF009H0000	WASHER, FLAT, 1/2", PLTD
6	8	1AFC12FAA05	HEX BOLT, 3/8-16 X 1", GR 5, PLTD
7	16	1AFC12HAAH8	HEX BOLT, 1/2-13 X 1-1/2", GR 8, PLTD
8	16	1AFC18H0000	NUT, HEX LOCK, 1/2-13, NYLOK, PLTD



Side Kick 2

Operation & Maintenance

How to operate the Tarp System

NOTE: Read all the safety considerations before operating the Side Kick 2 tarp system.

- 1) Turn the rotary switch to the "UNCOVER" position. The tarp should wind onto the roll tube until it rests on the passenger-side supports, under the side-rail of the tub.
- 2) To reverse the tarp operation, turn the switch to the "COVER" position. The tarp should deploy over the driver-side roll-up bar supports.

Safety Considerations

- ⚠ WARNING:** Never operate the tarp system while under obstructions, such as trees or power lines.
- ⚠ WARNING:** Always check to make sure that no one is in the immediate area of the tarp as it operates. Keep everyone clear of the area.
- ⚠ WARNING:** Keep all clothing clear of moving parts.

How to Maintain the Side Kick 2 Cover

Minimal maintenance is required for the Side Kick 2 cover. Individual usage and operating conditions will determine when to check the Side Kick 2 Cover. Aero Industries recommends a weekly inspection of the following items:

Bearings: Pull the shafts from side to side and in and out. If there is excessive play, replace the bearings. Lubricate as often as necessary with penetrating oil. DO NOT use an excessive amount of lubricant.

Springs: Examine springs for breakage.

Screws: Make sure that all mounting bolts and screws are in place and tight and that no parts are worn or damaged.

Electrical Connections: Check all electrical connections and tighten any that have become loose.

General: replace all worn or broken parts immediately.

Replacement parts may be obtained from the dealer or by contacting Aero Industries.



Side Kick 2

Operation & Maintenance

Power Loss Repair Bulletin

This repair bulletin describes a temporary field repair for the Side Kick 2 cover system in the event of a power loss or other failure while the cover is partially deployed and can **NOT** get to covered position.

⚠ WARNING: The Side Kick 2 cover system operates under extreme spring tension to drive the swing-arms. To reduce the possibility of personal injury, the swing-arms must be secured before servicing the system.

NOTE: This procedure requires the use of two come-a longs or power pull devices.

NOTE: This is a temporary field repair. Contact Aero Industries or your Side Kick dealer for standard repairs.

STEP 1

How to Secure the Swing-Arms

⚠ WARNING: Both the front and rear swing-arms must be secure.

NOTE: To safely secure the swing-arms, come-a longs must be attached to the swing-arms, NOT the roll bar.

- 1) See Figure 1.** Attach one end of the come-along to the front swing-arm (A), near the motor housing. Attach the other end of the come-along to the trailer on the side the tarp is anchored (B).
- 2) See Figure 1.** Attach another come-along between the rear swing-arm (C) and trailer (D).
- 3)** Tighten the come-a longs equally until the tarp becomes slack and the swing-arms are secure.

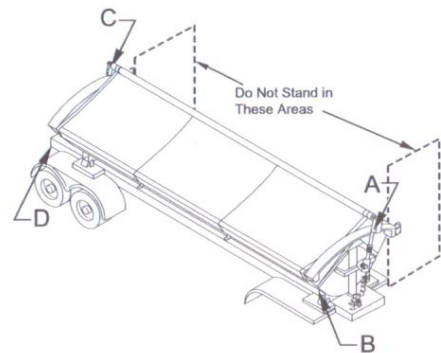


Figure 1

STEP 2

How to Disengage the Motor

- 1)** Once the swing-arms are secure, remove 3 hex head cap screws from front roll-up bar adaptor attached to front of roll tube and slide front swing arm (with front roll-up bar adaptor) out of front of roll-up bar and remove rear swing arm by removing outside 1 1/4" lock collar from rear roll-up bar adaptor and sliding arm off back of roll tube.

STEP 3

How to Complete the Covering Process

⚠ WARNING: The come-a longs are now retaining the force of the swing-arm spring tension. Use great care and make sure you understand how the come-along operates before adjusting.

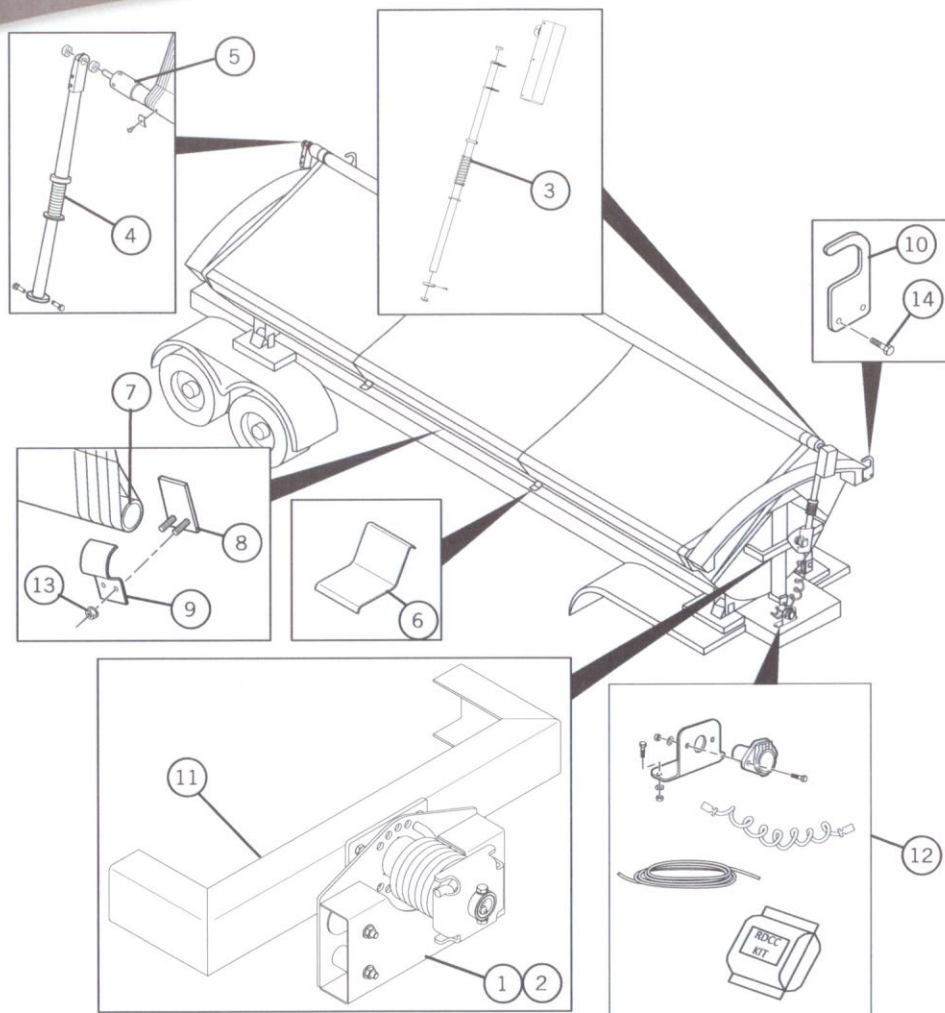
- 1)** To cover the trailer, slowly and equally adjust the come-a longs until the roll tube is resting in the supports on the driver-side of the trailer. Remove or secure the come-a longs before transport.

⚠ WARNING: The tarp must be in the fully unrolled position and not under the latch plate, before any service/repair work can be performed.



Side Kick 2

Parts List

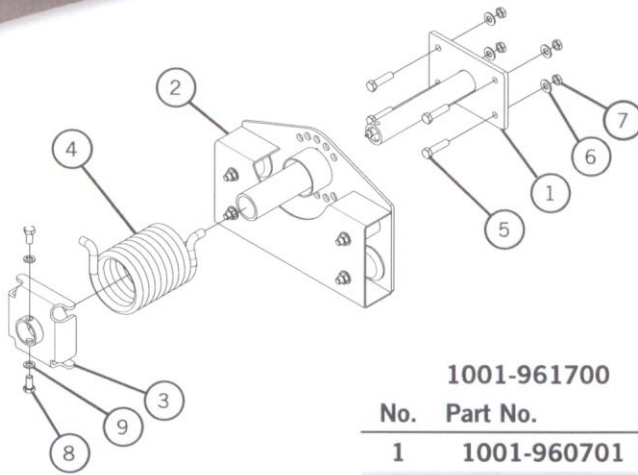


No.	Part No.	Description	Qty	Page
1	1001-961700	Spring Mount Assembly Front	1	19-20
2	1001-961701	Spring Mount Assembly Rear	1	19-20
3	1001-961703	Front Swing Arm Assembly	1	21-22
4	1001-961705	Rear Swing Arm Assembly	1	23
5	1001-961702	Roll Tube Assemble	1	
6	1001-860166	Tarp Cradle	2	
7	1440-281223	Fixed Tube	2	
8	1001-961304	Quick Release Clamp Weldment	7	
9	1040-960158	Quick Release Clamp	7	
10	1001-861320	Tarp Stop Hook	2	
11		Swing Arm Mounting Hardware		18
12		Electrical Hardware		24
13	0815-660210	5/16-18 Flange Nut	14	
14	0810-650510	5/16 Self-Tapping Screw	4	

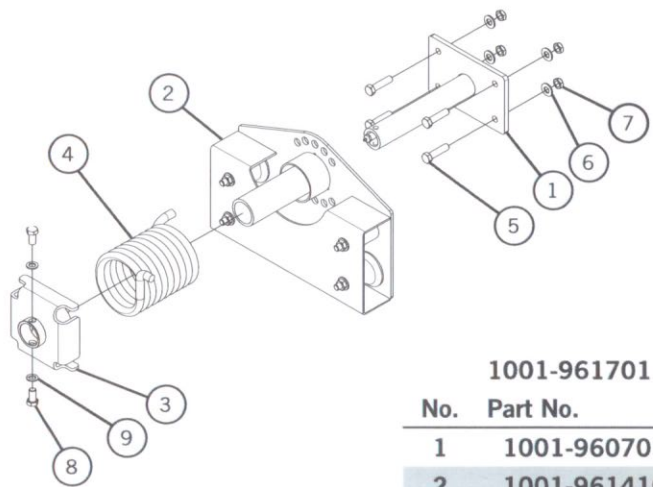


Side Kick 2

Parts List



1001-961700		Spring Mount Assembly Front	
No.	Part No.	Description	Qty
1	1001-960701	Spring Mount Post	1
2	1001-961410	Roller Plate Assembly	1
3	1001-960703	Spring Stop Assy	1
4	1001-861408	SK2 Hub Spring LH	1
5	0810-600002	1/2-13 x 2 Hex Bolt	4
6	0820-680810	1/2 Flat Washer	4
7	0815-660127	1/2-13 NYLOCK Hex Jam Nut	4
8	0810-650553	1/2-13 x 3/4 SHCS	2
9	0820-680820	1/2 Lock Washer	2

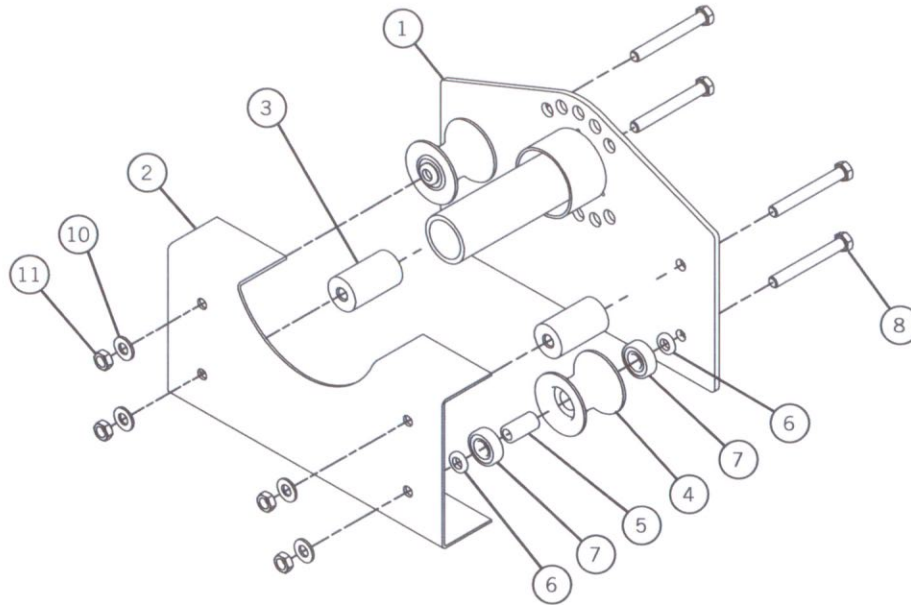


1001-961701		Spring Mount Assembly Rear	
No.	Part No.	Description	Qty
1	1001-960701	Spring Mount Post	1
2	1001-961410	Roller Plate Assembly	1
3	1001-960703	Spring Stop Assy	1
4	1001-861400	SK2 Hub Spring RH	1
5	0810-600002	1/2-13 x 2 Hex Bolt	4
6	0820-680810	1/2 Flat Washer	4
7	0815-660127	1/2-13 NYLOCK Hex Jam Nut	4
8	0810-650553	1/2-13 x 3/4 SHCS	2
9	0820-680820	1/2 Lock Washer	2



Side Kick 2

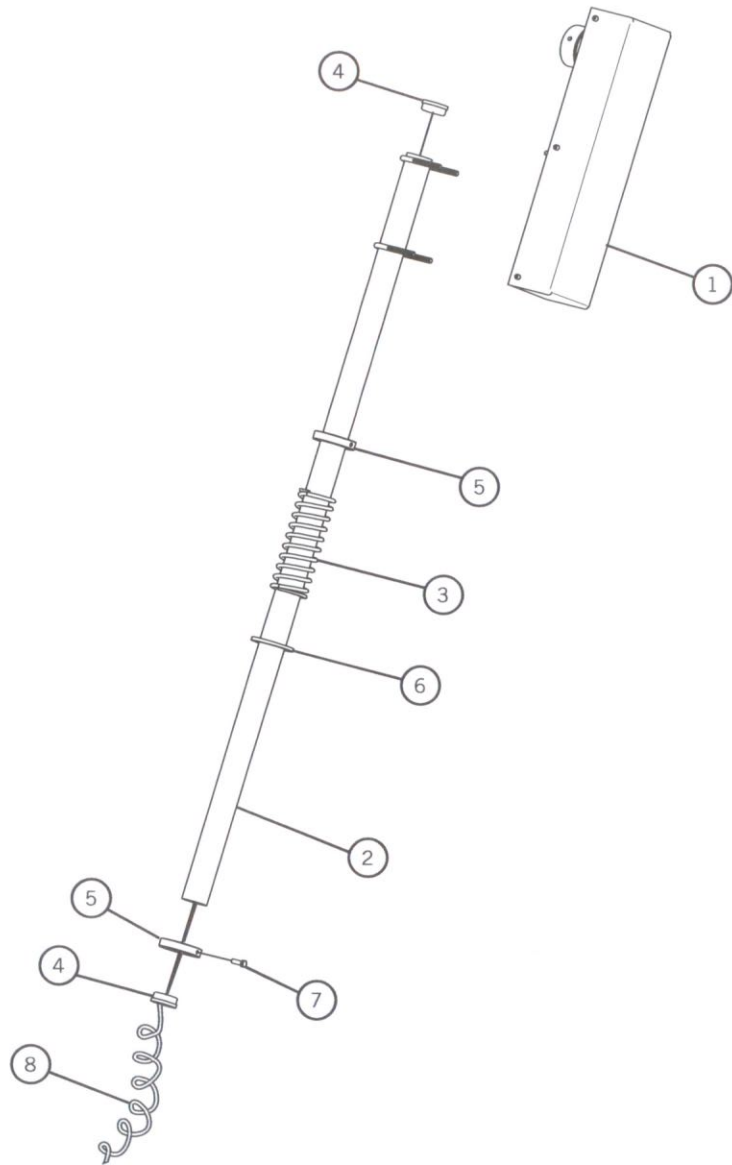
Parts List



No.	Part No.	Description	Qty
	1001-961410	Roller Plate Assembly	
1	1001-960702	Swivel Collar Assembly	1
2	1001-861411	Roller Plate	1
3	1001-861412	Roller Block	2
4	1001-861325	Roller Radius	2
5	1001-861304	Roller Spacer "V"	2
6	1001-861307	Steel Washer	4
7	0710-602144	Bearing .5" ID x 1.575" OD	4
8	0810-650839	1/2-13 x 4 Hex Bolt	4
9	0815-660127	1/2-13 NYLOCK Hex Nut	4
10	0820-680810	1/2 Flat Washer	4

Side Kick 2

Parts List

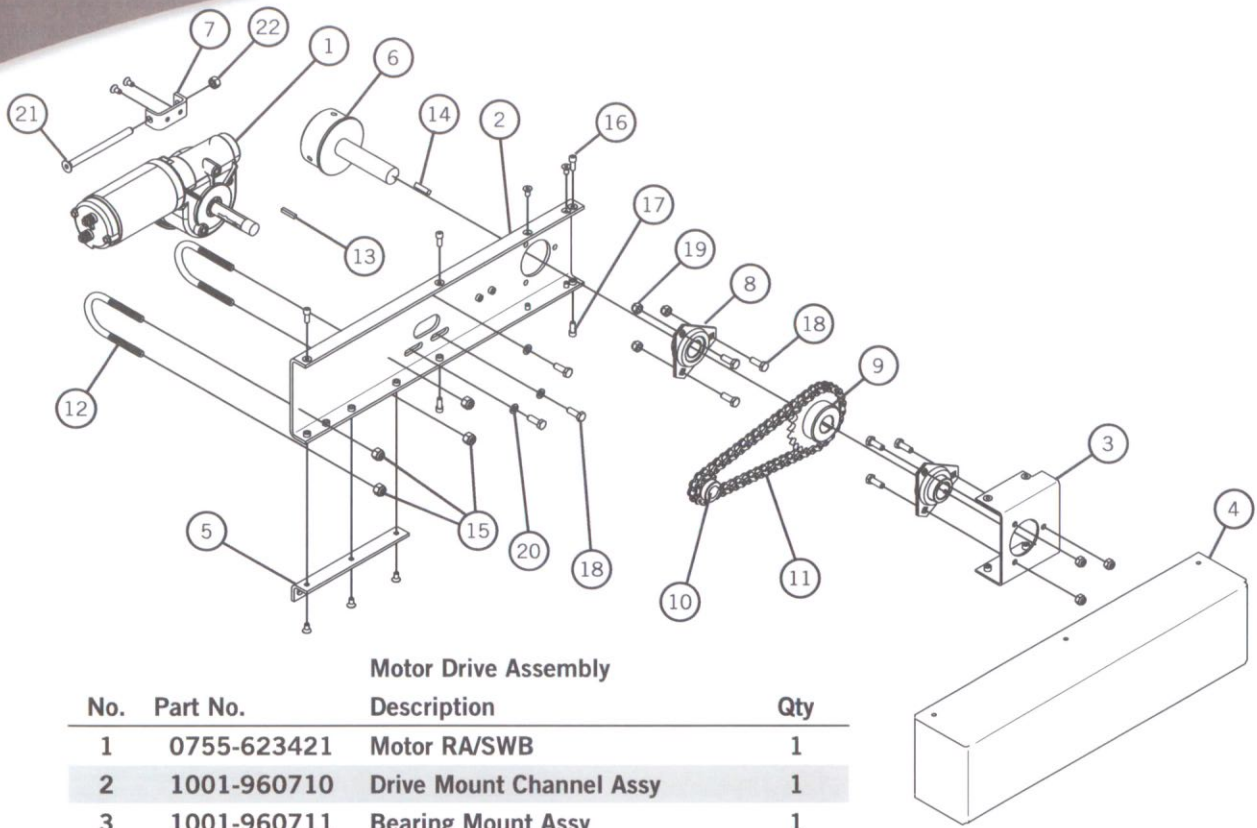


No.	Part No.	Description	Qty
	1001-961703	Front Swing Arm	
1		Motor Drive Unit Assembly (See Page 22)	
2	1440-281635	Steel Tube 2" Rd x 5' Lg	1
3	0715-619405	Compression Spring Jumbo	1
4	1001-861309	Swing Arm Tube Plug	2
5	1001-861316	Collar Lock Swing Arm	2
6	0820-680401	Washer 1/4 x 2 1/4 x 3 1/4	1
7	0810-650170	5/16-18 x 1 Hex Bolt W/Patch	2
8	0755-626433	Flex Cord Motor to Plug	1



Side Kick 2

Parts List

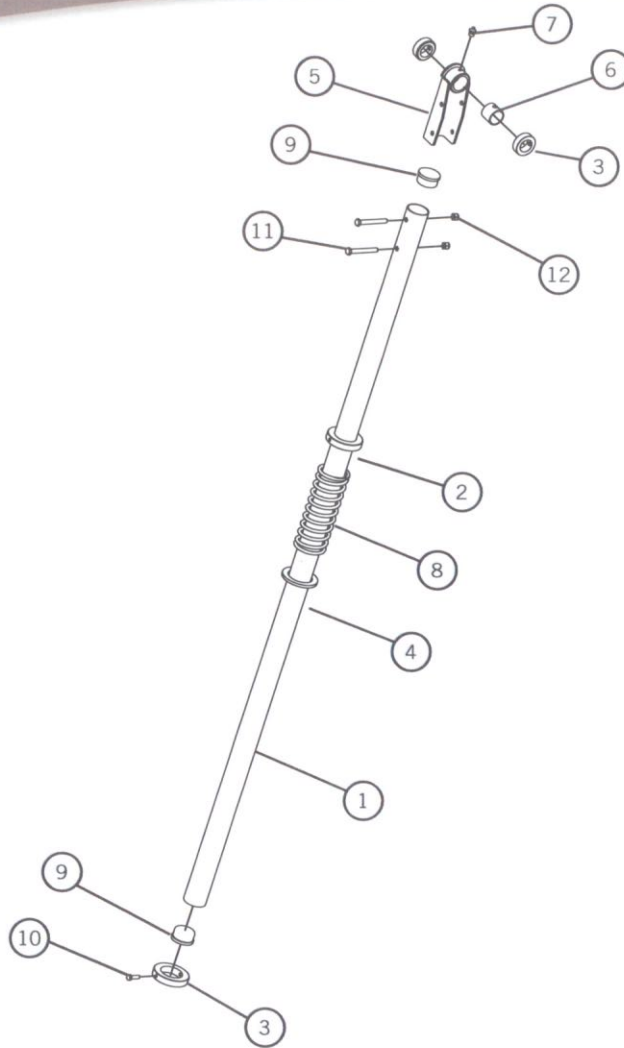


No.	Part No.	Motor Drive Assembly Description	Qty
1	0755-623421	Motor RA/SWB	1
2	1001-960710	Drive Mount Channel Assy	1
3	1001-960711	Bearing Mount Assy	1
4	1001-861722	Drive Unit Cover	1
5	1001-861716	Swing Arm Extension Bracket	1
6	1001-861717	Roll Pipe Adapter	1
7	1001-860704	Chain Tension Bracket	1
8	1001-861714	Bearing Set 1" Bore	2
9	1001-861719	Sprocket 40B24 1" Bore	1
10	1001-861720	Sprocket 40B10 3/4" Bore	1
11	1001-861721	#40 Roller Chain	1
12	1001-861718	U-Bolt 2" Swing Arm Mount	2
13	1001-861723	Key 1/4" x 1"	1
14	1001-861724	Key 3/16" x 1"	1
15	0815-660660	3/8-16 NYLOCK Hex Nut	4
16	0810-650497	1/4-20 x 1/2 FHCS	9
17	0825-617251	1/4-20 x 5/8 SHCS	6
18	0810-650552	5/16-18 x 7/8" Hex Bolt	9
19	0815-660550	5/16-18 NYLOCK Hex Nut	6
20	0820-680520	5/16 Lock Washer	3
21	0810-650496	3/8-16 x 5 FHCS	1
22	0815-661640	3/8-16 Hex Nut	1



Side Kick 2

Parts List

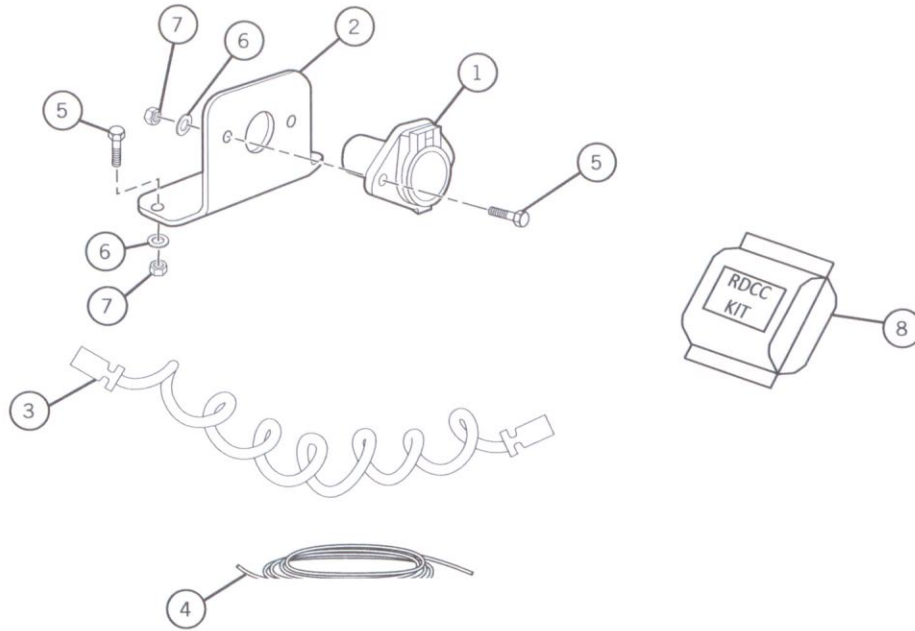


No.	Part No.	Description	Qty
	1001-961705	Rear Swing Arm	
1	1440-281636	Steel Tube 2" Rd x 6' Lg	1
2	1001-861316	Collar Lock Swing Arm	2
3	0785-690335	Collar Shaft 1 1/4" ID	2
4	0820-680401	Washer 1/4 x 2 1/4 x 3 1/4	1
5	1001-962122	Motor Mount Bracket Assy	1
6	0845-691233	Bronze Bushing	1
7	0825-670394	Zerk 1/4-28 Straight	1
8	0715-619405	Compression Spring Jumbo	1
9	1001-861308	Swing Arm Tube Plug-Top	2
10	0810-650170	5/16-18 x 1 Hex Bolt W/Patch	2
11	0810-670657	3/8-16 x 3 Hex Bolt	2
12	0815-660660	3/8-16 NYLOCK Hex Nut	2



Side Kick 2

Parts List



No.	Part No.	Electrical Hardware Description	Qty
1	1041-860143	Female Electrical Socket	2
2	1001-860165	Socket Mounting Bracket	2
3	0755-626434	Flex Cord with Plugs	1
4	0755-626540	#6 Wire (20')	1
5	0810-650552	5/16-18 x 7/8 Hex Bolt	4
6	0820-680510	5/16 Flat Washer	4
7	0815-660461	5/16-18 NYLOCK Hex Nut	4
8	0755-962108	RDCC Kit	1

Side Kick 2



INDIANAPOLIS, IN
Indianapolis, IN 46241
800-535-9545
FAX: 317-244-1311

OMAHA, NE
Omaha, NE 68137
800-535-9545
FAX: 402-895-6129

STREETSBORO, OH
Streetsboro, OH 44241
888-237-2262
FAX: 330-626-3277

© 2010 Aero Industries, Inc. Easy Cover® and the Claw™ are trademarks of Aero Industries, Inc. The Claw Patent Pending.
Covered by one or more of the following patents in the U.S.

Wiring the Tractor

There are two items to wire on the tractor before you can operate your Demco side dump. The control box and the tarp power wire.

To install the control box, find a suitable location in the cab of the tractor and mount the control box. The red and black two wire cable attached to the back of the box is the power wire. Plug the cigarette lighter end into a power connection in the cab.

[If you do not have an available outlet for the cigarette lighter end, use the following instructions: Cut the cigarette lighter plug off.

Split apart the wires and connect the red wire to a 12v dc power source and the black to ground. **Red wire must be positive and Black negative.**

Reversing these wires can damage the control system. A bag of terminals is included to allow you to tap into most truck fuse panels.]



Route the gray cord and male 9 pole plug out of the cab and to the front bulkhead of the side dump. Plug the cord into the female 9 pole socket on the trailer bulkhead. You will now be able to raise and lower the rear axle and dump the tub.

(NOTE: Air must be supplied to the side dump for the lift axle to operate properly. Hydraulic oil must be supplied to the side dump to dump the tub.)

To use the tarp you will need to supply 12 volt power to the side dump to operate the tarp motor. Due to the large power draw of the tarp motor, the electrical supply must be hooked directly to the battery and the heavy #6 wire included with the kit must be used.

Refer to the Aero wiring diagram for reference. The relay has been already mounted on the side dump and the momentary switch that rolls/unrolls the tarp is in the control box installed previously. All that needs to be done is to run a wire from the battery to the female two pole socket on the road side front corner of the side dump.

Find a suitable location on the tractor to mount the included female two pole socket. A mounting bracket and hardware is also supplied.

Locate the circuit breaker as close to the positive battery post as possible. If the circuit breaker is not mounted to the battery box or truck frame, make sure that the terminals cannot touch anything that would create a short circuit.

Separate enough of the red wire on the #6 red/black cord to reach from the positive battery terminal to the circuit breaker. Cut off the red wire. Strip the red wire and crimp on ring terminals to match the battery cable bolt and the post on the circuit breaker.



Don't hook the red wire to the battery until everything else is wired.

Crimp a ring terminal on the red wire on the remaining red/black cord and attach it to the circuit breaker.

Crimp a ring terminal on the black wire and attach it to the negative battery post.

Aero Tractor Wiring Instructions

Route the red/black cord to the female socket. Cut the cord and crimp ring terminals on the end of the wires. Slip the cover for the back of the socket over the cord and bolt the ring terminals to the socket. Match the positive and negative wires to the corresponding terminals marked on the socket. Slip the cover over the back of the socket. Secure the red/black cord to the truck frame.

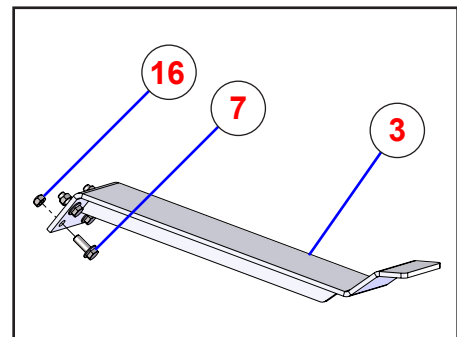
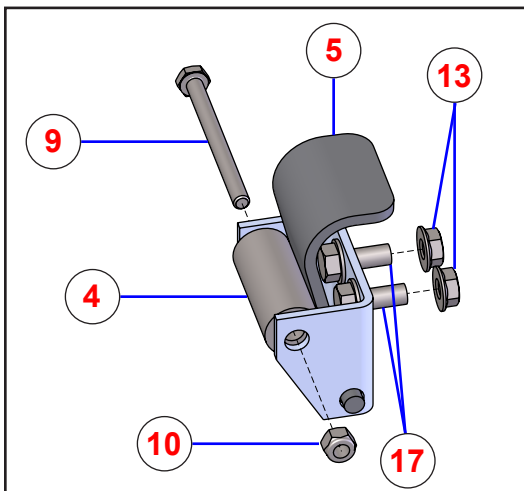
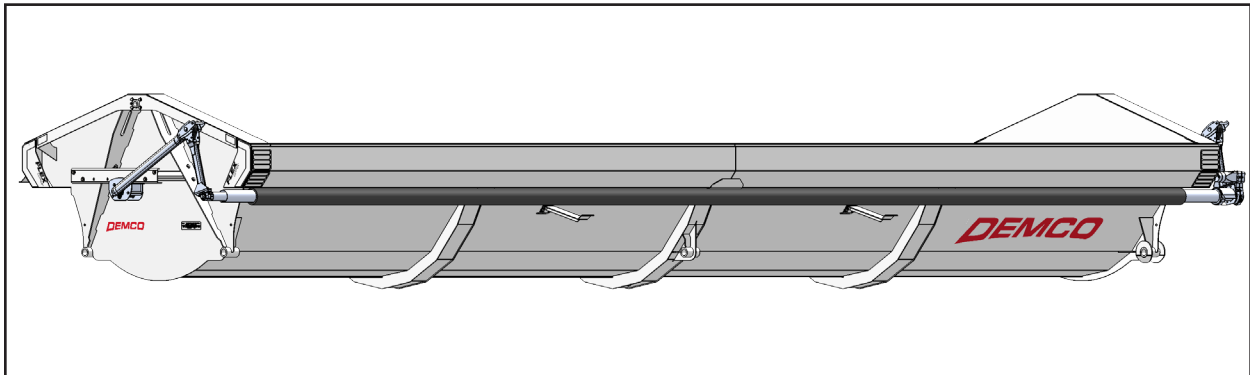
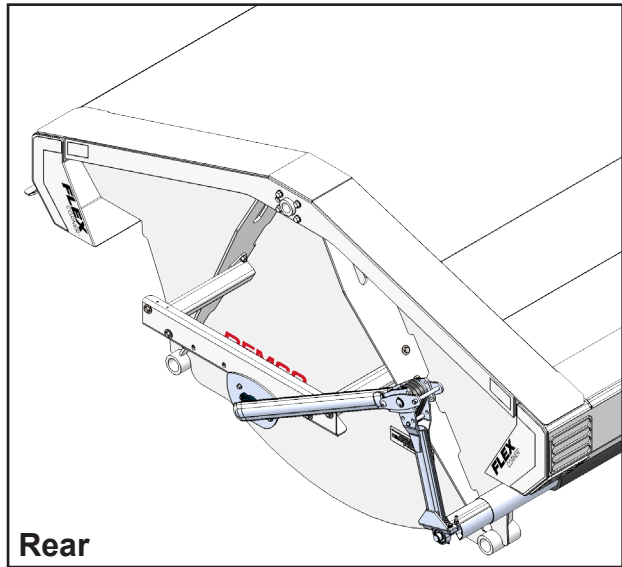
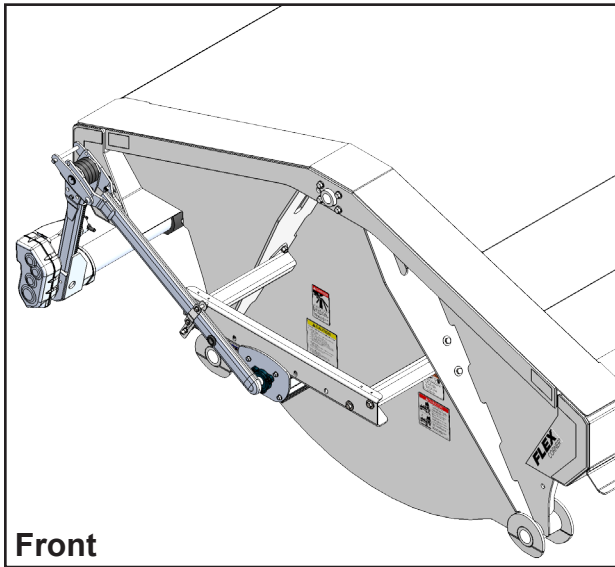
Hook the red wire to the battery. A double male stretch cord is included to connect the tractor to the side dump.

The tarp will now operate from the control box. It is best to have the tractor running while operating the tarp.

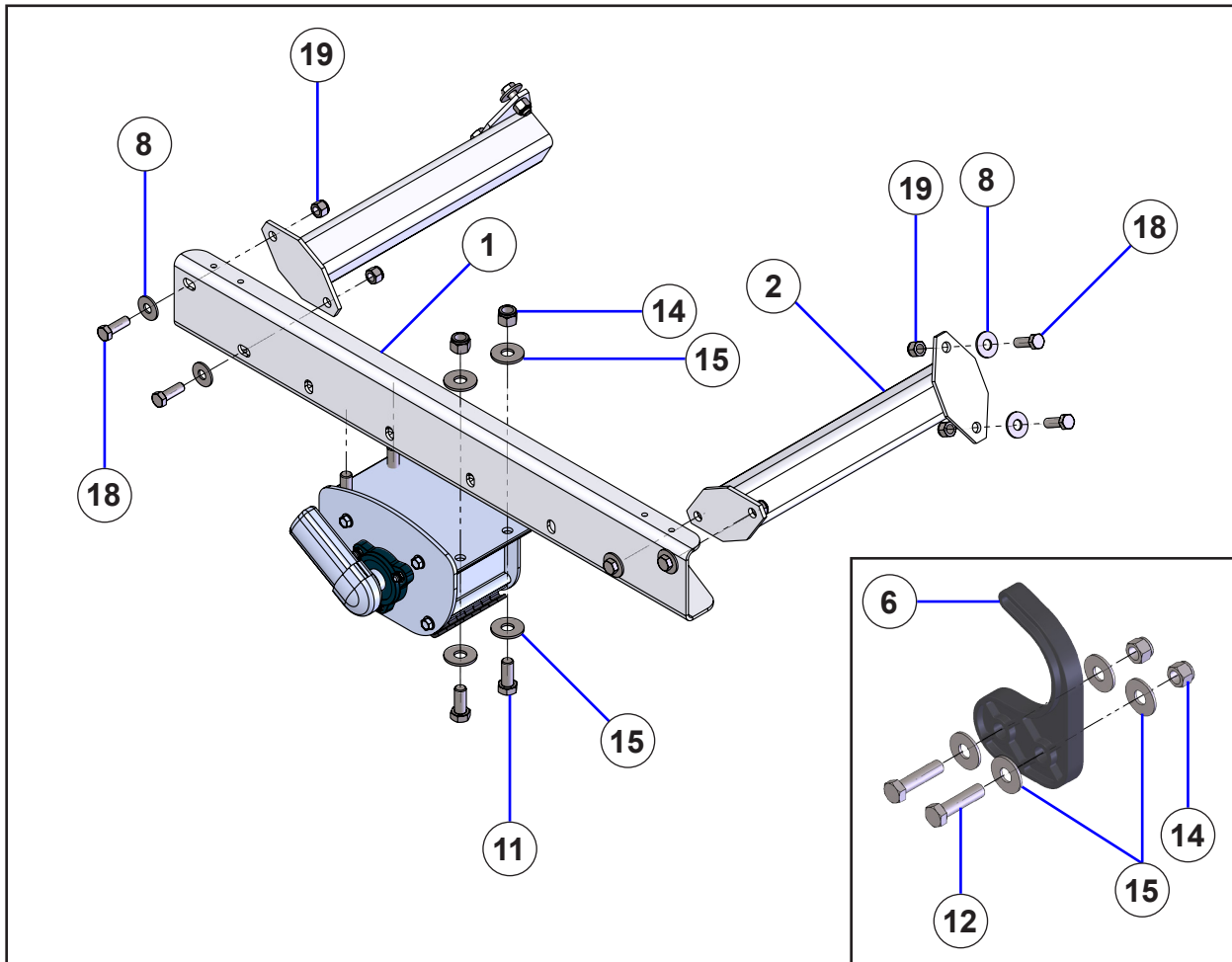
Hydraulic Hook-up

The tractor must have a hydraulic pump and reservoir to supply hydraulic oil to the side dump to dump the tub. The pump needs to supply a minimum output of 25 gallons per minute of oil at 2500psi. We recommend a minimum 15 gallon filtered and strained reservoir system. The tractor should also have a relief valve to protect the tractor's hydraulic system.

When hooking the tractor to the side dump, the pressure line from the pump must hook up to the female quick coupler on the side dump and the return to the reservoir must hook up to the male quick coupler. The control valve on the side dump will not operate properly if the oil flow is reversed. The quick couplers on the side dump are marked "in" and "out" as a reminder.

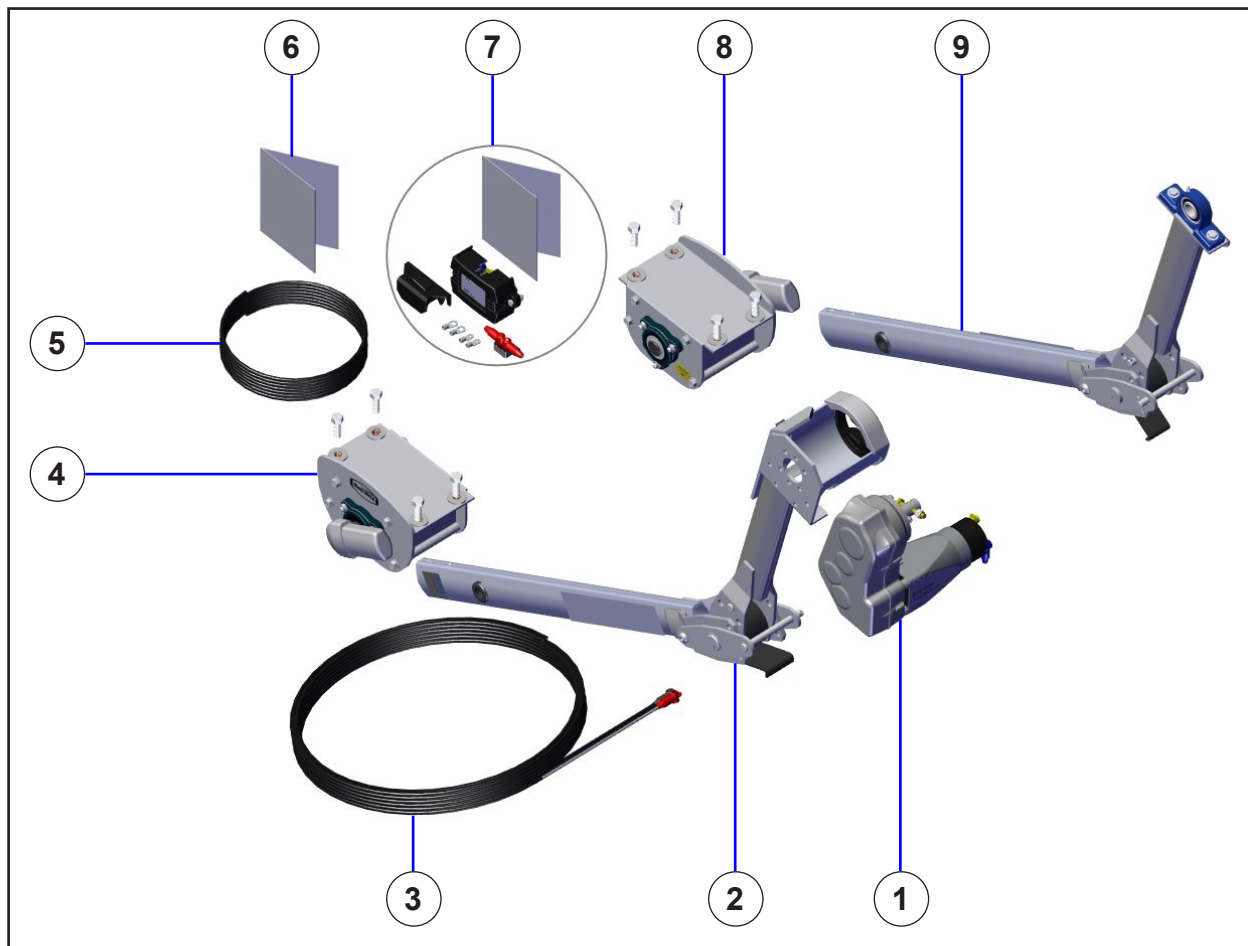


Roll-Rite Electric Tarp Mounting Parts

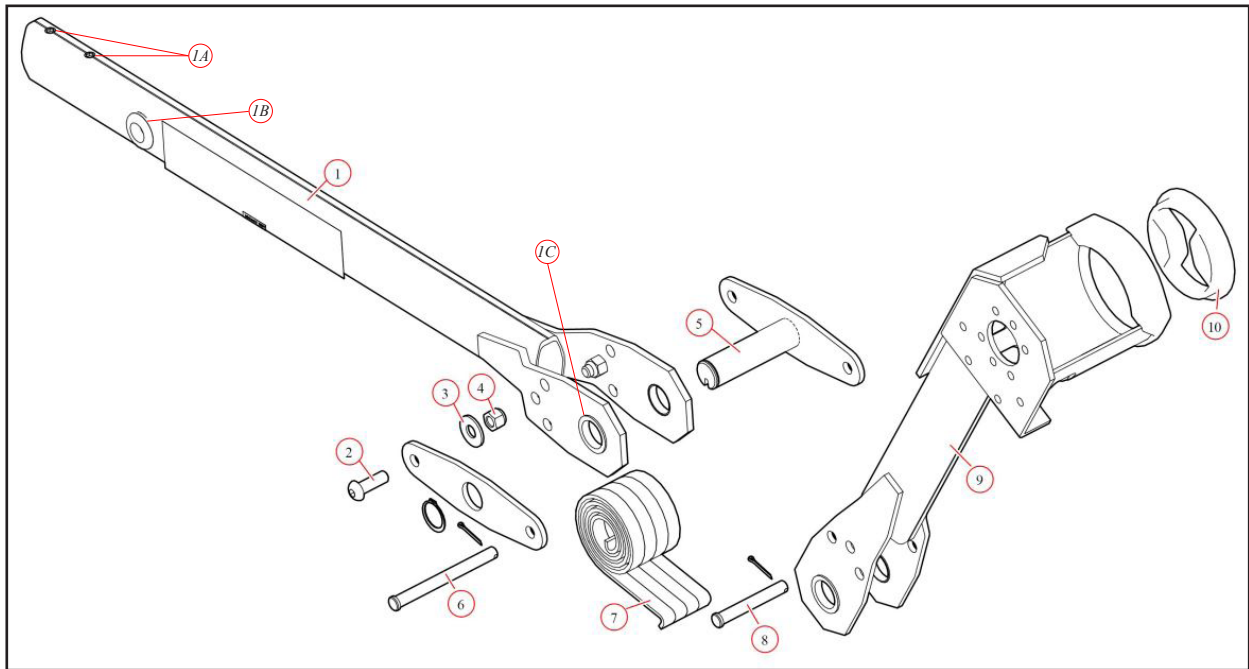


BOM ID	Qty	Item No	Description
1	2	3CAM9385	TARP MOUNTING CHANNEL
2	4	5CAM9038	TARP CHANNEL MOUNT
3	*	5C000008	BRACKET, TARP SUPPORT
4	*	1AUAM9073	SPACER, TARP MOUNTING, 7/8" OD X 11/32" ID X 2" OAL
5	*	1AZAP4108	CLAMP, STEEL CLAMP FOR TARP SECURING ROD PLTD, EA (36830)
6	2	1AZAP4152	SPOOL, TARP SPOOL HOOK FOR SIDE DUMP SYSTEM, EA (36840)
7	*	1AFC12FAA05	HEX CAP SCREW, 3/8"-16 X 1", GR 5, PLTD
8	16	1AF009H0000	WASHER, FLAT, 1/2", PLTD
9	*	1AFBP3588	HEX CAP SCREW, 1/4"-20 X 3", GR 8, PLTD
10	*	1AFC18D0000	NUT, HEX LOCK, 1/4"-20, NYLOCK, PLTD
11	4	1AFC12JAAH5	HEX CAP SCREW, 5/8"-11 X 1-1/2", GR 5, PLTD
12	4	1AFC12JBAH5	HEX CAP SCREW, 5/8"-11 X 2-1/2", GR 5, PLTD
13	*	1AFC08E0000	NUT, HEX SERRATED FLANGE, 5/16"-18, PLTD
14	12	1AFC18J0000	NUT, HEX LOCK, 5/8"-11, NYLOCK, PLTD
15	16	1AF009J0000	WASHER, FLAT, 5/8", PLTD
16	*	1AFBP3612	NUT, HEX LOCK, 3/8"-16, TOP LOCK, PLTD
17	*	1AFC37E00L0	HEX CAP SCREW, 5/16"-18 X 3/4", SERRATED FLANGE HD, PLTD
18	16	1AFC12HAAH8	HEX CAP SCREW, 1/2"-13 X 1-1/2" GR 8, PLTD
19	16	1AFC18H0000	NUT, HEX LOCK, 1/2"-13, NYLOCK, PLTD

* Quantities vary by tub length.



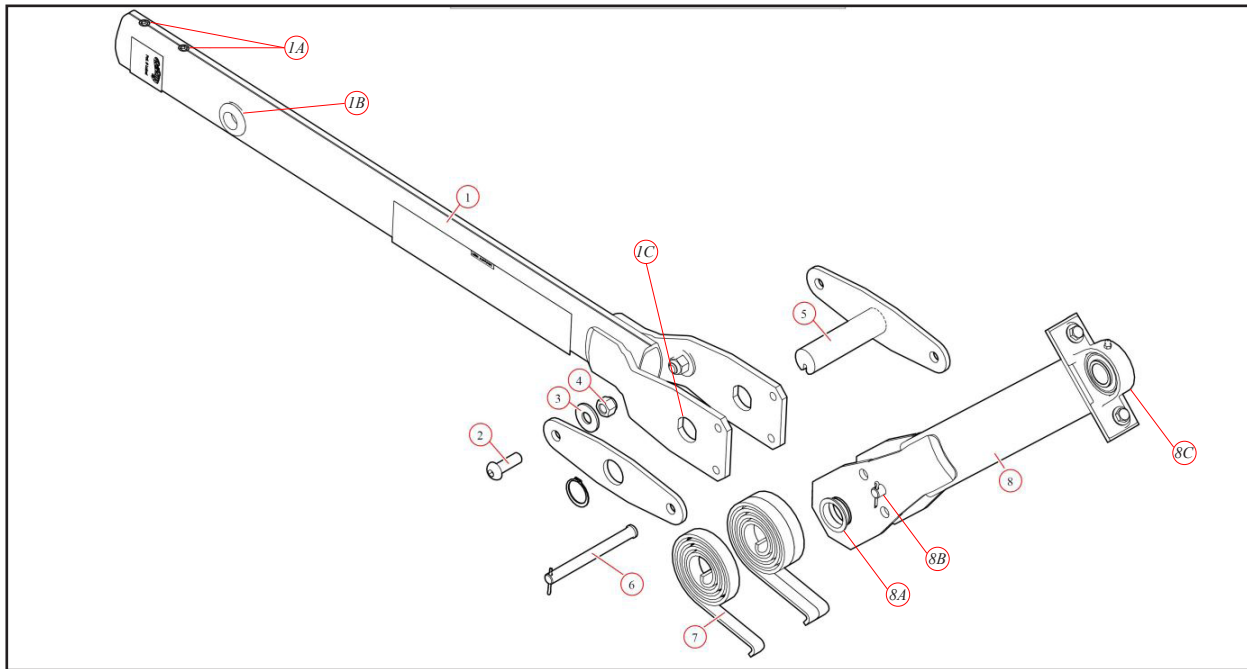
1AZAP3576 (Rite-Lock Power Arm Kit, Pass. Side Stowing for Side Dump 12V TS)			
BOM ID	Qty	Item No	Description
1	1	1AZAP4293	MOTOR, ROLL RITE TARP (10200)
2	1	-	PIVOT, ASSY FRONT 4-SPRING KNUCKLE ARM, MOTOR END (46802)
3	1	1AEW000WF62	PARALLEL BAT CABLE, 6GA, BLK W/RED (11330)
4	1	-	PIVOT, UB ASSEMBLED STS 8-SPR FRONT (102354)
5	1	1AZAP4295	CABLE, 16GA / 3COND, BLU/YEL/RED, 15' (11411)
6	1	-	INSTRUCTIONS, UNIVERSAL STS DUMP SYSTEM (102317)
7	1	1AZ00103460	ELECTRIC KIT, TSCM W/ SS GEN1+ RELAY & ROCKER SW, 6GA (103460)
8	1	-	PIVOT, UB ASSEMBLED STS 8-SPR REAR (102353)
9	1	-	PIVOT, ASSY REAR KNUCKLE ARM, NON-MOTOR END (46803)



Pivot, Assy Front 4-Spring Knuckle Arm, Motor End (46802)

BOM ID	Qty	Item No	Description
* 1	1	-	PIVOT TUBE, BASE W/SIDE PLATES, 4 SPRING STS KNUCKLES (102199)
1A	1	-	SCREW, 1/2" X 5/8" SET (18291)
1B	1	-	GROMMET, RUBBER 7/8 ID X 1/8 GROOVE FOR TOP MT PIVOTS (16419)
1C	1	-	BUSHING, 1-1/4 POLY T-BUSHING FOR PIVOT PIN (47040)
2	2	-	BOLT, 1/2" X 1-1/2" BUTTON HEAD PLTD (18295)
3	2	1AF009H0000	WASHER, 1/2" FLAT PLTD (18412)
4	2	1AFC18H0000	NUT, 1/2" NYLOCK NUT PLTD (18631)
5	1	-	BRACKET, 4-SP KNUCKLE W/STOP PLATE FOR STS MOTOR END (47970)
6	1	-	PIN, 1/2" X 5-1/4" CLEVIS (18540)
7	4	1AZAP4589	SPRING, SPIRAL TORSION 1-1/4" (47230)
8	1	1AFAP4507	PIN, 1/2" X 3-1/2" CLEVIS (18520)
9	1	-	PIVOT TUBE, FRONT UPPER FOR 4-SP KNUCK W/BUSH 13.06" (102197)
10	1	1AZAP4539	BUSHING, AXLE STABILIZER FOR 4" AXLE (37580)

* Note: All High Capacity Kits require longer lower tarp arms see page 109 for High Capacity specific tarp parts.



Pivot, Assy Rear Knuckle Arm, Non-Motor End (46803)

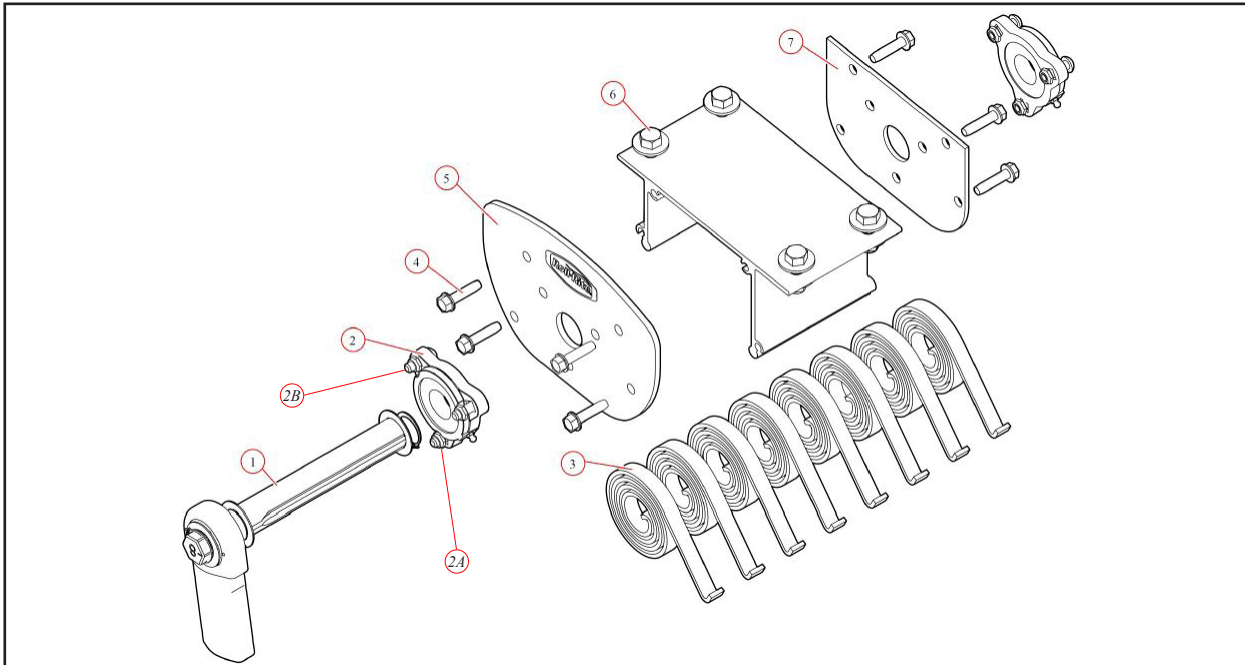
BOM ID	Qty	Item No	Description
* 1	1	-	PIVOT TUBE, BASE W/SIDE PLATES, 4-SPRING STS KNUCKLES (102199)
1A	1	-	SCREW, 1/2" X 5/8" SET (18291)
1B	1	-	GROMMET, RUBBER 7/8 ID X 1/8 GROOVE FOR TOP MT PIVOTS (16419)
1C	1	-	BUSHING, 1-1/4 POLY T-BUSHING FOR PIVOT PIN (47040)
2	2	-	BOLT, 1/2" X 1-1/2" BUTTON HEAD PLTD (18295)
3	2	1AF009H0000	WASHER, 1/2" FLAT PLTD (18412)
4	2	1AFC18H0000	NUT, 1/2" NYLOCK NUT PLTD (18631)
5	1	-	BRACKET, 4-SP KNUCKLE W/STOP PLATE FOR STS MOTOR END (47970)
6	1	-	PIN, 1/2" X 5-1/4" CLEVIS (18540)
7	4	1AZAP4589	SPRING, SPIRAL TORSION 1-1/4" (47230)
8	1	-	PIVOT TUBE, REAR UPPER FOR 4-SP KNUCKLE W/BEARING (47890)
8A	1	-	BUSHING, 1-1/4 POLY T-BUSHING FOR PIVOT PIN (47040)
8B	1	1AFAP4507	PIN, 1/2" X 3-1/2" CLEVIS (18520)
8C	1	1AZ31050000	BEARING, PILLOW BLOCK (31055)

* Note: All High Capacity Kits require longer lower tarp arms see page 109 for High Capacity specific tarp parts.

Roll-Rite Electric Tarp Parts

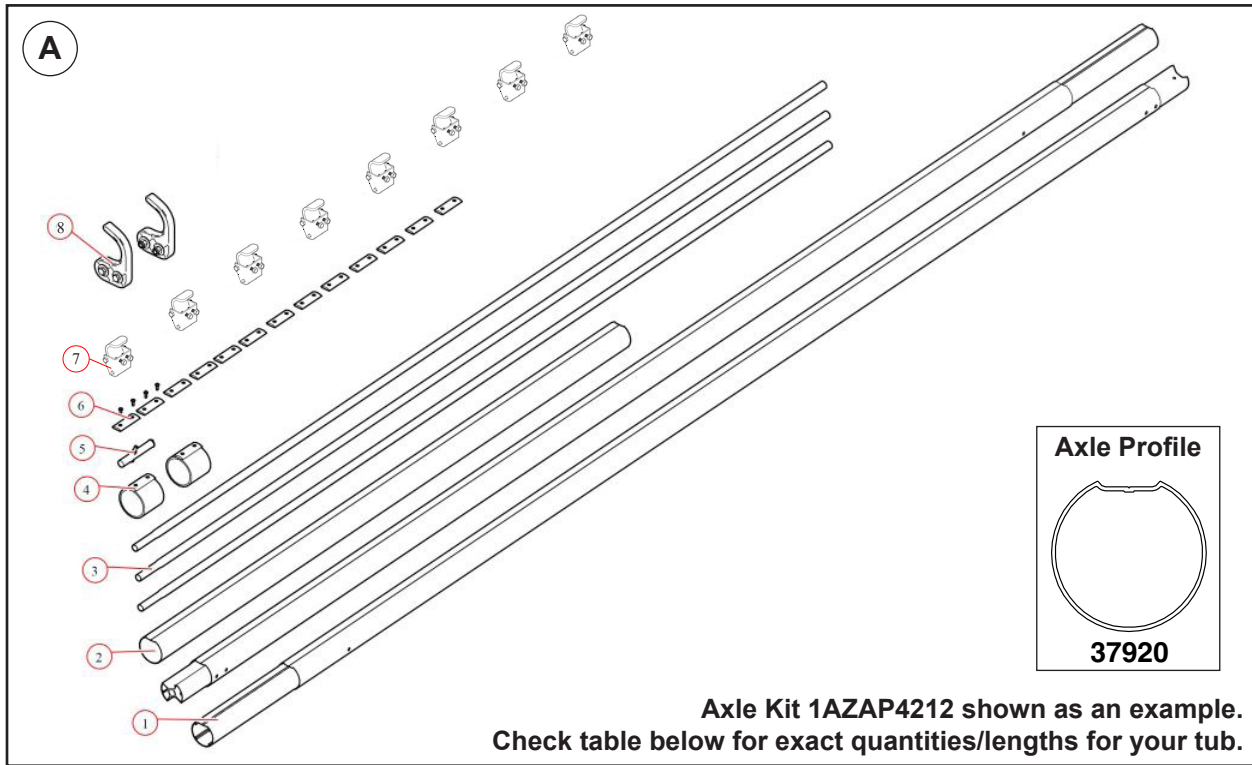
Pivot, UB Assembled STS 8-Spr Front (102354)

BOM ID	Qty	Item No	Description
1	1	-	PIVOT PIN, FOR 8-SPR ROLLER BEARING PIV, DRIVER SIDE (47400)
2	2	-	BEARING, CARRIER UNDERBODY FLANGED (47800)
2A	3	1AFC18F0000	NUT, 3/8" NYLOCK NUT PLTD (18628)
2B	3	1AFBP3633	BOLT, 3/8-16 X 1-1/8", BUTTON HEAD, PLTD (18242)
3	8	1AZAP4589	SPRING, SPIRAL TORSION 1-1/4" (47230)
4	8	1AFC37FAAH5	BOLT, 3/8 X 1-1/2", THREAD-CUTTING SCREW, HEX WASHER HD (18120)
5	1	-	PLATE, AL FRONT FOR EXT BOLT FLANGE MOUNT UB BOX (102349)
6	1	-	BRACKET, EXT BODY WITH HOLES FOR 8-SPR UB BOX (102269)
7	1	-	PLATE, AL BACK FOR EXT BOLT FLANGE MOUNT UB BOX (102259)



Pivot, UB Assembled STS 8-Spr Rear (102353)

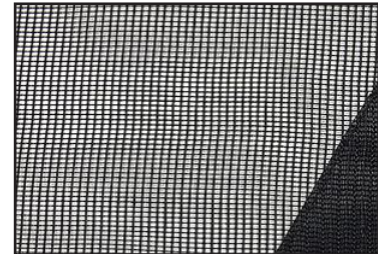
BOM ID	Qty	Item No	Description
1	1	-	PIVOT PIN, FOR 8-SPR ROLLER BEARING PIV, PASS SIDE (47410)
2	2	-	BEARING, CARRIER UNDERBODY FLANGED (47800)
2A	3	1AFC18F0000	NUT, 3/8" NYLOCK NUT PLTD (18628)
2B	3	1AFBP3633	BOLT, 3/8-16 X 1-1/8", BUTTON HEAD, PLTD (18242)
3	8	1AZAP4589	SPRING, SPIRAL TORSION 1-1/4" (47230)
4	8	1AFC37FAAH5	BOLT, 3/8 X 1-1/2", THREAD-CUTTING SCREW, HEX WASHER HD (18120)
5	1	-	PLATE, AL FRONT FOR EXT BOLT FLANGE MOUNT UB BOX (102349)
6	1	-	BRACKET, EXT BODY WITH HOLES FOR 8-SPR UB BOX (102269)
7	1	-	PLATE, AL BACK FOR EXT BOLT FLANGE MOUNT UB BOX (102259)



Tub Length	Axle Kit Item No	Axle Tube Length	Fixed Tarp Rod Length	Axle Tarp Clips (C/C)	Tarp Rod Clamps (1AZAP4108)
14'	1AZAP4279	17' - 2 1/2"	13' - 8 1/4"	6 (32")	6
15'	1AZAP4279	18' - 2 1/2"	14' - 8 1/4"	6 (34")	6
16'	1AZAP4279	19' - 3"	15' - 8 3/4"	6 (36")	6
17'	1AZAP4459	20' - 2 1/2"	16' - 8 1/4"	6 (38")	6
20'	1AZAP4459	23' - 3"	19' - 9 1/4"	7 (38")	6
24'	1AZAP4410	27' - 3"	23' - 9"	10 (32")	6
30'	1AZAP4212	33' - 6"	30' - 0 3/8"	11 (36")	8
34'	1AZAP4212	37' - 6"	34' - 0 1/2"	11 (40")	8
37'	1AZAP4563	40' - 3"	36' - 9 1/4"	11 (44")	8

BOM ID	Qty	Item No	Description
1		-	AXLE, 4" UNIVERSAL FRONT/REAR SECTION FOR SIDE DUMP (37920)
2		-	EXTRUSION, 4" AXLE, 98" (102367)
3		-	STEEL TUBING, 1.125D X 16GA X 12' RND GALV W/SWEDGE (101815)
4	2	-	AXLE SLEEVE, SIDE DUMP BELT STYLE, AXLE SLEEVE KIT (102379)
5	1	-	HARDWARE, STUB SHAFT KIT FOR SIDE DUMP SYSTEM (102365)
6		-	CLIP, TARP CLIP W/HARDWARE FOR STS AXLE (37830)
7		1AZAP4108	CLAMP, STEEL CLAMP FOR TARP SECURING ROD PLTD, EA (36830)
8	2	1AZAP4095	SPOOL, TARP SPOOL HOOK FOR SIDE DUMP SYSTEM, EA (36840)

Tub Length	Tarp Kit	Mesh Tarp	Tarp Size
14'	1AZAP3576	1AZAP4598	13'-6" x 162"
15'	1AZAP3576	1AZAP4599	14'-6" x 162"
16'	1AZAP3576	1AZAP4600	15'-6" x 162"
17'	1AZAP3576	1AZAP4601	16'-6" x 162"
20'	1AZAP3576	1AZAP4602	19'-7" x 162"
24'	1AZAP3576	1AZJ23800RE	23'-8" x 162"
30'	1AZAP3576	1AZAP4603	29'-10" x 162"
34'	1AZAP3576	1AZAP4604	33'-10" x 162"
37'	1AZAP3576	1AZAP4605	36'-7" x 162"

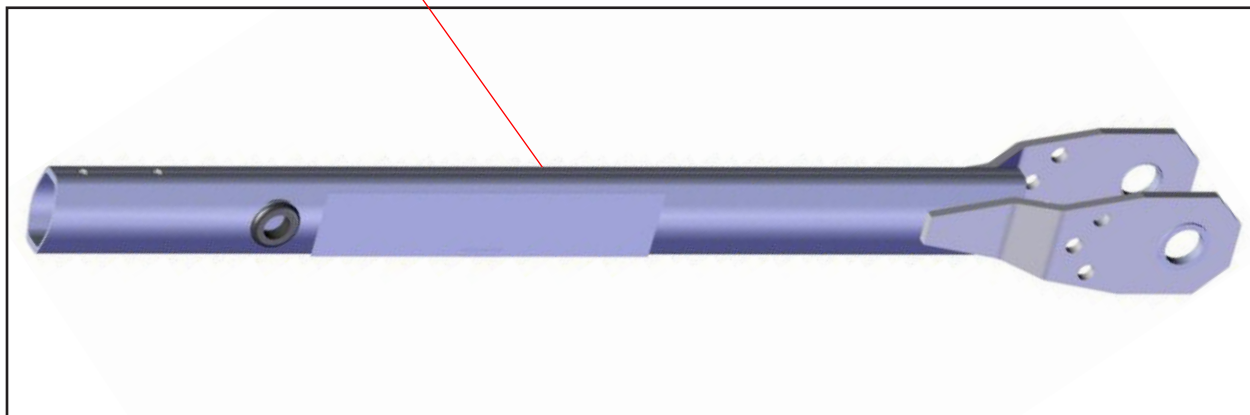


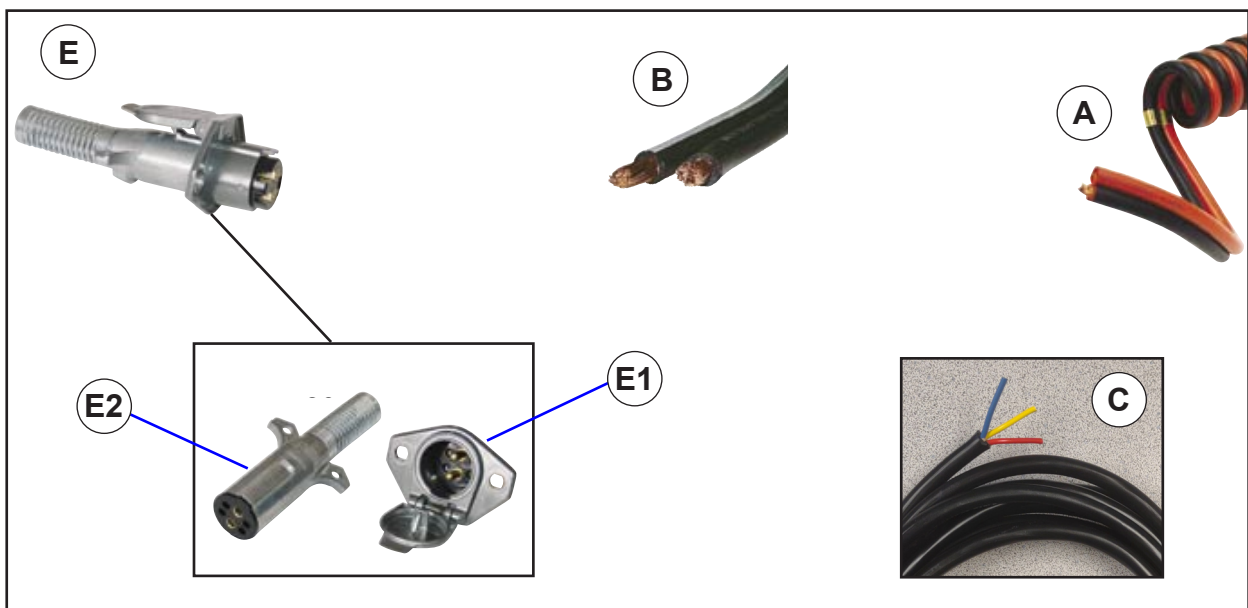
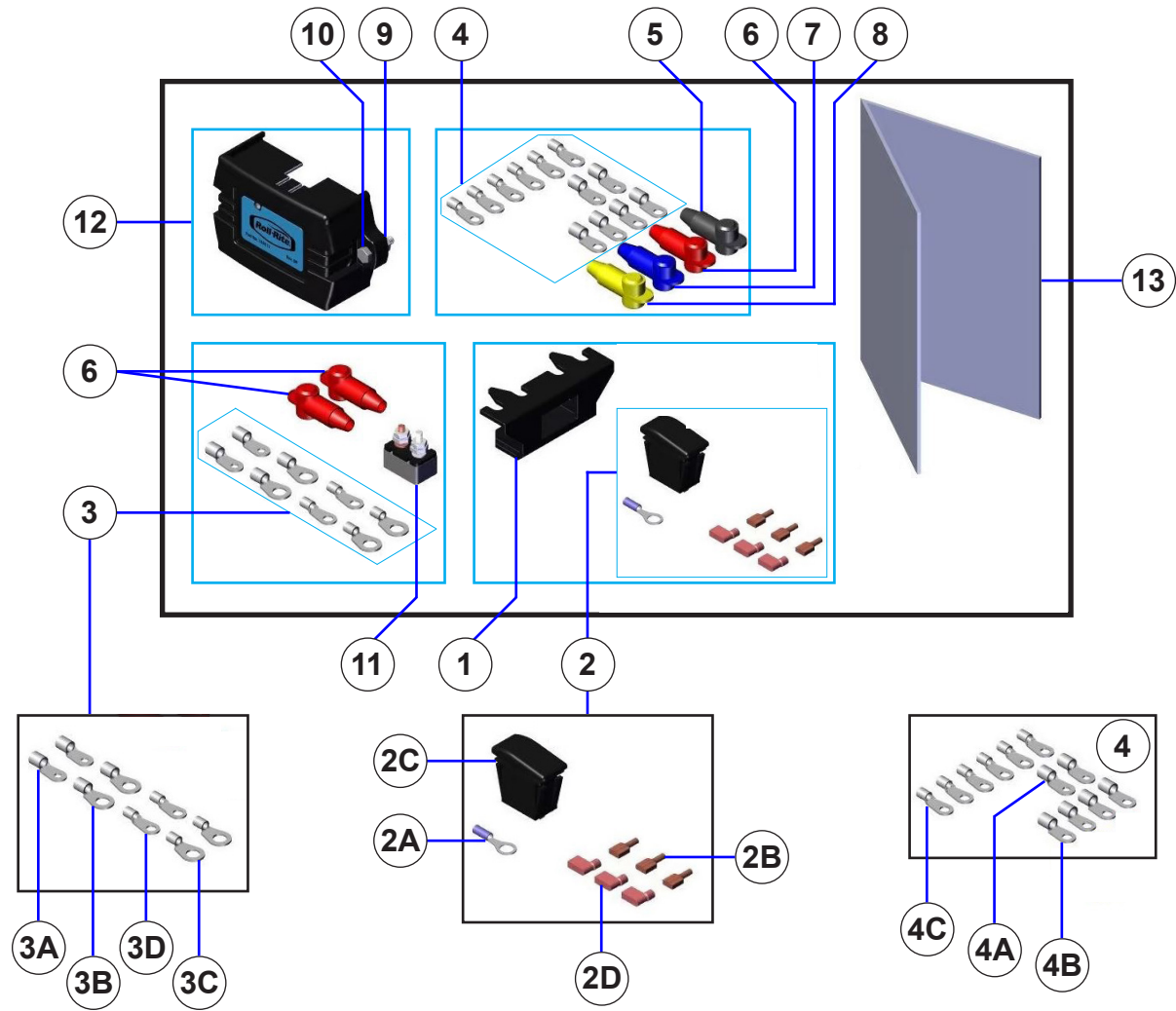
Mesh Tarp

Roll-Rite Electric Tarp Parts for High-Capacity Kits Only

Tub Length	Axle Kit	Tarp Kit	Mesh Tarp	Tarp Size	Axle Tube Length	Fixed Tarp Rod Length
20' H.C.	1AZAP4459	1AZAP4402	-	20' x 147"	23' - 3"	20' - 1 3/4"
24' H.C.	1AZAP4410	1AZAP4402	1AZAP4409	24' x 147"	27' - 3"	24' - 1 1/2"
34' H.C.	1AZAP4212	1AZAP4402	1AZAP3950	34' x 147"	37' - 6"	34' - 4 3/4"
37' H.C.	1AZAP4563	1AZAP4402	1AZAP4562	37' x 147"	40' - 3"	37' - 1 3/4"

Note: All High Capacity Kits, including XL Kits, use the same quantity and spacing of Axle Tarp Clips and Tarp Rod Clamps as standard tubs. Longer lower tarp arms are required for all High Capacity Kits - use Item Number 1AZ102266RE (ROLL-RITE HIGH CAPACITY TARP ARM, EA, #102266).





Roll-Rite Electrical Tarp Parts

1AZ00103460 (Electric Kit, TSCM W/SS Gen1+ Relay & Rocker Switch, 6GA)

BOM ID	Qty	Item No	Description
1	1	1AZ00010390	MOUNT BRACKET, ROCKER SWITCH (10390)
2	1	-	ROCKER SWITCH KIT (10915)
2A	1	1AEC0031506	TERMINAL, 14 GA INSULATED, 3/8" RING (16080)
2B	3	-	TERMINAL, 18 GA INSULATED, Q.D. FEMALE (16118)
2C	1	1AZ00019300	SWITCH, ROCKER (OPEN/CLOSE) (19300)
2D	3	-	TERMINAL, 14-16 GA INSULATED, Q.D. FLAG FEMALE (100460)
3	1	-	TERMINAL KIT FOR CIRC. BREAKER, 6/8 GA TERMINALS (10918)
3A	2	-	TERMINAL, 6 GA, #10 RING (16020)
3B	2	1AEC0036073	TERMINAL, 6 GA, 3/8" RING (16030)
3C	2	-	TERMINAL, 8 GA, 3/8" RING (16150)
3D	2	1AEC0033002	TERMINAL, 8 GA, 1/4" RING (16155)
4	1	-	TERMINAL KIT FOR SS RELAY, 6/8 GA TERMINALS (10919)
4A	2	-	TERMINAL, 6 GA, #10 RING (16020)
4B	4	1AEC0036071	TERMINAL, 6 GA, 1/4" RING (16021)
4C	6	1AEC0033002	TERMINAL, 8 GA, 1/4" RING (16155)
5	1	-	TERMINAL BOOT, BLACK, 8-2GA (16200)
6	3	-	TERMINAL BOOT, RED, 8-2GA (16201)
7	1	-	TERMINAL BOOT, BLUE, 8-2GA (16202)
8	1	-	TERMINAL BOOT, YELLOW, 8-2GA (16203)
9	2	1AFC08D0000	HEX NUT, 1/4-20 FLANGE, SERRATED, PLTD (18620)
10	2	1AFC12DAA05	HEX BOLT, 1/4-20 X 1", GR5, PLTD (18700)
11	1	1AZ00101259	50A MANUAL RESET CIRCUIT BREAKER, RITE TOUCH (101259)
12	1	1AZ00103238	12V RITE TOUCH RELAY SS GEN1+ W/HOUSING (103238)
13	-	-	ELECTRICAL COMPONENT INSTALLATION GUIDE (105568)

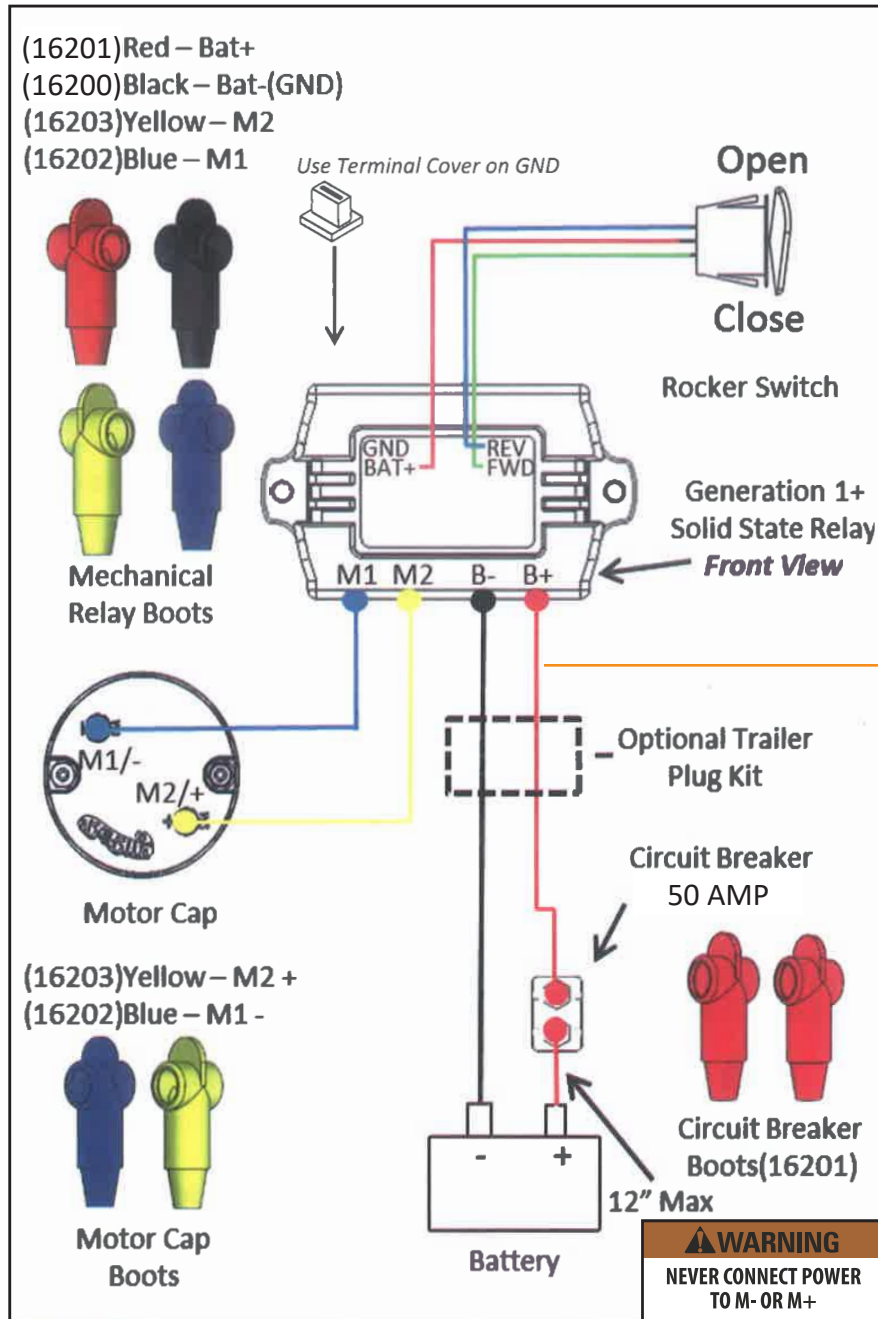
TO ADD TARP CONTROLS TO A SECOND TRACTOR FOR A STANDARD HYDRAULIC SIDE DUMP, SEE YOUR DEALER FOR COMPLETE KIT AND PRICING FOR 4CFK2014 (KIT, ROLL-RITE TARP, CONTROL SWITCH FOR 2ND TRACTOR). FOR EOH TRAILERS, SEE PAGE 116.

Other Electrical Components for Roll-Rite Tarps

BOM ID	Qty	Item No	Description
A	-	1AZ00011320	6GA DUAL COILED CORD (11320)
B	-	1AEW000WF62	PARALLEL BAT CABLE, 6GA, BLK W/RED (11330)
C	-	1AZAP4295	CABLE, 16GA / 3COND, BLU/YEL/RED, 15' (11411)
E	-	1AZAP4211	MALE & FEMALE PLUG SET, 2-PIN, ROLL-RITE TARP (12760)
E1	1	1AZAP4236	FEMALE PLUG, 2-PIN, ROLL-RITE TARP (12770)
E2	1	1AZAP4235	MALE PLUG, 2-PIN, ROLL-RITE TARP (12780)

Roll-Rite Wiring Diagram

Roll-Rite Generation 1+ Solid State Reversing Relay with Rocker Switch (Tarp Uncovering to the right of driver)



WARNING

Note: After installation, the terminals on the B+ circuit contain un-switched 12V energy at all times. Installation requirements must be followed to avoid contact between these terminals and chassis ground.

Wiring the Tractor

There are two items to wire on the tractor before you can operate your Demco side dump. The control box and the tarp power wire.

To install the control box, find a suitable location in the cab of the tractor and mount the control box. The red and black two wire cable attached to the back of the box is the power wire. Plug the cigarette lighter end into a power connection in the cab.

[If you do not have an available outlet for the cigarette lighter end, use the following instructions: Cut the cigarette lighter plug off. Split apart the wires and connect the red wire to a 12v dc power source and the black to ground. **Red wire must be positive and Black negative. Reversing these wires can damage the control system.** A bag of terminals is included to allow you to tap into most truck fuse panels.]



Route the gray cord and male 9 pole plug out of the cab and to the front bulkhead of the side dump. Plug the cord into the female 9 pole socket on the trailer bulkhead. You will now be able to raise and lower the rear axle and dump the tub.

(NOTE: Air must be supplied to the side dump for the lift axle to operate properly. Hydraulic oil must be supplied to the side dump to dump the tub.)

To use the tarp you will need to supply 12 volt power to the side dump to operate the tarp motor. Due to the large power draw of the tarp motor, the electrical supply must be hooked directly to the battery and the heavy #6 wire included with the kit must be used.

Refer to the Roll Rite wiring diagram for reference. The relay has been already mounted on the side dump and the momentary switch that rolls/unrolls the tarp is in the control box installed previously. All that needs to be done is to run a wire from the battery to the female two pole socket on the road side front corner of the side dump.

Locate the circuit breaker as close to the positive battery post as possible. If the circuit breaker is not mounted to the battery box or truck frame, make sure that the terminals cannot touch anything that would create a short circuit. See image on next page for installation orientation of circuit breaker.

Separate enough of the white wire on the #6 white/black cord to reach from the positive battery terminal to the circuit breaker. Cut off the white wire. Strip the white wire and crimp on ring terminals to match the battery cable bolt and the post on the circuit breaker.



Don't hook the white wire to the battery until everything else is wired.

Crimp a ring terminal on the white wire on the remaining white/black cord and attach it to the circuit breaker.

Crimp a ring terminal on the black wire and attach it to the negative battery post.

Roll-Rite Tractor Wiring Instructions

Hydraulic Hook-up

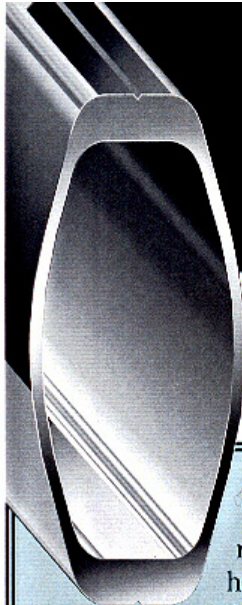
Route the white/black cord to the female socket on the side dump. Cut the cord and strip the ends back to slip into the terminals on the back of the male 2 pin plug. Match the white and black wires to the corresponding wires in the side dump socket. You may need to slip the cover off the back of the socket to make sure that the wires match up. Secure the white/black cord to the truck frame.

Hook the white wire to the battery.

The tarp will now operate from the control box. It is best to have the tractor running while operating the tarp.

The tractor must have a hydraulic pump and reservoir to supply hydraulic oil to the side dump to dump the tub. The pump needs to supply a minimum output of 25 gallons per minute of oil at 2500psi. We recommend a minimum 15 gallon filtered and strained reservoir system. The tractor should also have a relief valve to protect the tractor's hydraulic system.

When hooking the tractor to the side dump, the pressure line from the pump must hook up to the female quick coupler on the side dump and the return to the reservoir must hook up to the male quick coupler. The control valve on the side dump will not operate properly if the oil flow is reversed. The quick couplers on the side dump are marked "in" and "out" as a reminder.



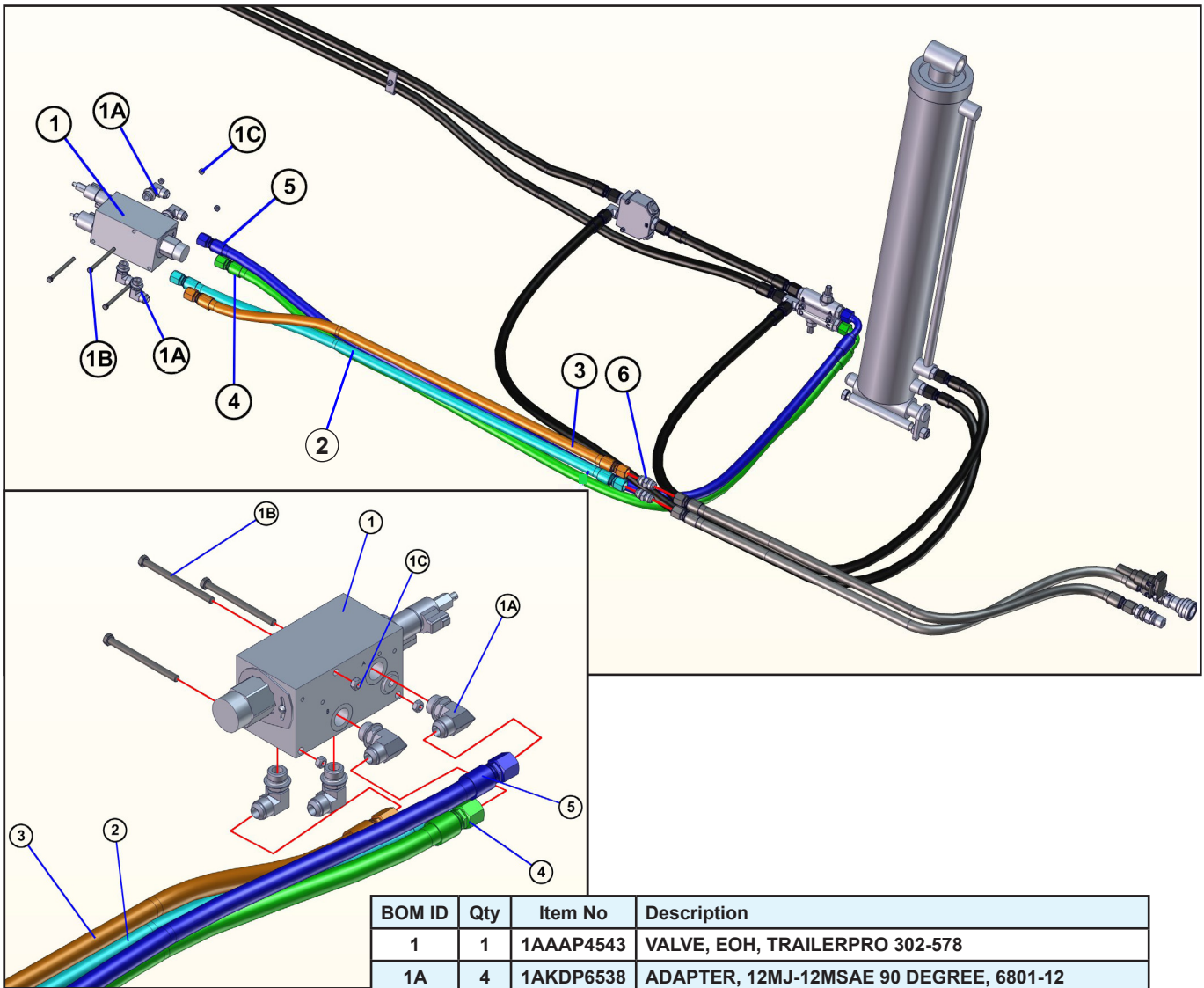
Tarp Tips...

This section will be occasionally featured in your TarpTalk™ to address frequently asked questions or to refresh you on various technical issues. As always, if you have a question or encounter frequent technical issues, please contact the Roll-Rite Customer Service Center at 1-800-297-9905 or check out our FAQs online at www.RollRite.com under Customer Support.

Q. *My motor is not working. How do I tell if the problem is with the motor, the relay, or the switch?*

A. Follow steps 1-4 below to trouble-shoot your system:

- 1.** Disconnect both power wires from the motor. Using jumper cables and a fully charged spare battery, momentarily supply power to the motor terminals, first one direction, and then the other. If the motor does not run, please call our Customer Service department at 1-800-297-9905. If the motor runs when connected to the spare battery, then the motor is OK and you need to re-connect the original power wires to the motor and continue Step 2.
- 2.** Using a test light or a voltage meter, verify that the BATT+ and BATT- terminals on the relay are properly connected. If not, check the wiring and circuit breaker between the battery and the relay for problems such as loose terminals and/or worn, broken, or pinched spots on the wire. If power is reaching the relay, continue to Step 3.
- 3.** Using a small piece of jumper wire, momentarily connect first the T1 terminal and then the T2 terminal to BATT+. You should be able to hear the relay click each time and the motor should operate each time. If you do not hear the relay click, please call our Customer Service department. If you hear the relay click but the motor does not operate, then you need to check the wiring between the relay and the motor. If you hear the relay click **and** the motor operates, then the relay is OK and you need to continue to Step 4.
- 4.** The following procedure assumes that you are using a standard SPST switch similar to the one that was shipped with the relay. If you are using something else, such as a lighted switch, you may have to adjust the procedure accordingly. Using a small piece of jumper wire, momentarily connect the center terminal (common) first to one of the outer terminals, and then to the other outer terminal. If the motor does not operate during this test, then you need to check the wiring between the switch and the relay. If the motor operates during this test, then the problem is in the switch, please call our Customer Service department. ■



BOM ID	Qty	Item No	Description
1	1	1AAAP4543	VALVE, EOH, TRAILERPRO 302-578
1A	4	1AKDP6538	ADAPTER, 12MJ-12MSAE 90 DEGREE, 6801-12
1B	3	1AFBP3118	HEX CAP SCREW, 3/8"-16 X 5", GR 5, PLTD
1C	3	1AFBP3612	NUT, HEX LOCK, 3/8"-16, TOP LOCK, GR C, PLTD
2	1	1AKDP6546	HOSE, HYDRAULIC, 3/4" X 57", 12FJX-12FJX
3	1	1AKDP6554	HOSE, HYDRAULIC, 3/4" X 53", 12FJX-12FJX
4	1	1AKDP6614	HOSE, HYDRAULIC, 3/4" X 105", 12FJX-12FJX90
5	1	1AKDP6615	HOSE, HYDRAULIC, 3/4" X 108", 12FJX-12FJX90
6	2	1AKDP4388	UNION, 12MJ-12MJ, 2403-12

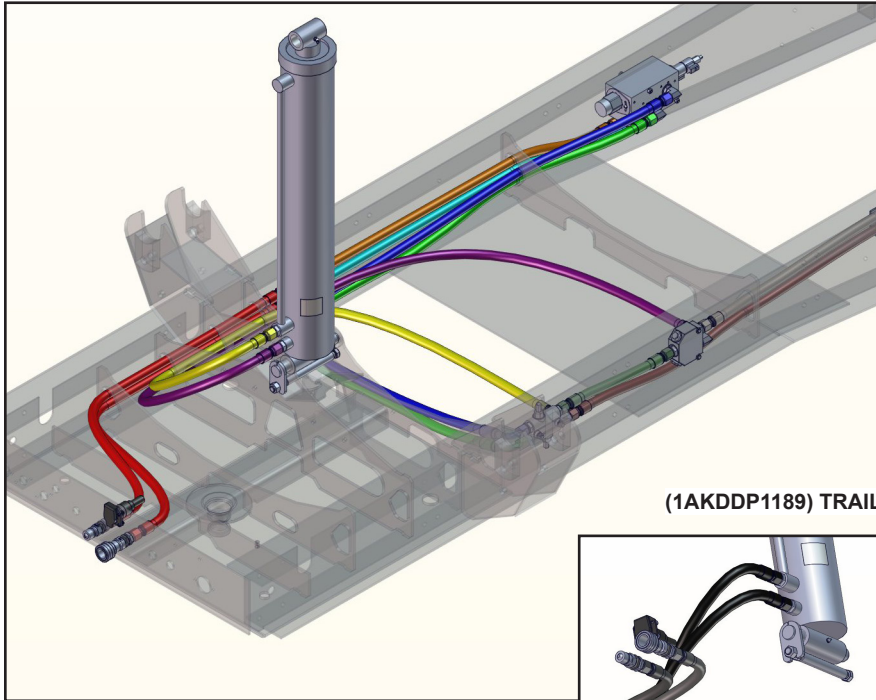
TO CONVERT YOUR SIDE DUMP TO TRAILER PRO ELECTRIC CONTROLS, CONTACT YOUR DEALER FOR COMPLETE KIT AND PRICING FOR [4CFK2018 \(KIT, TRAILER PRO, EOH VALVE ADD-ON\)](#).

TO ADD A CONTROL BOX TO A SECOND TRACTOR:
 CONTACT YOUR DEALER FOR
[4CFK2017 \(KIT, TRAILER PRO CONTROL BOX FOR 2ND TRACTOR, W/ROLL-RITE\)](#)
 FOR DEMCO SIDE DUMPS EQUIPPED WITH ROLL-RITE TARPS;

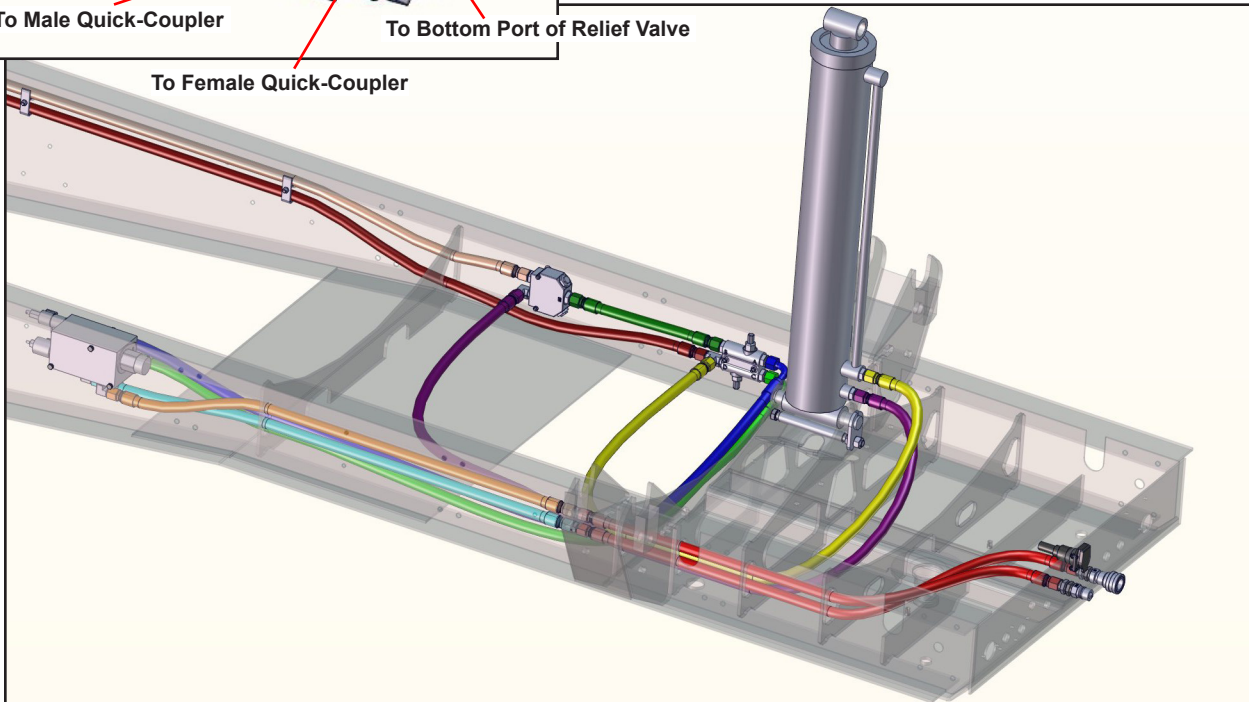
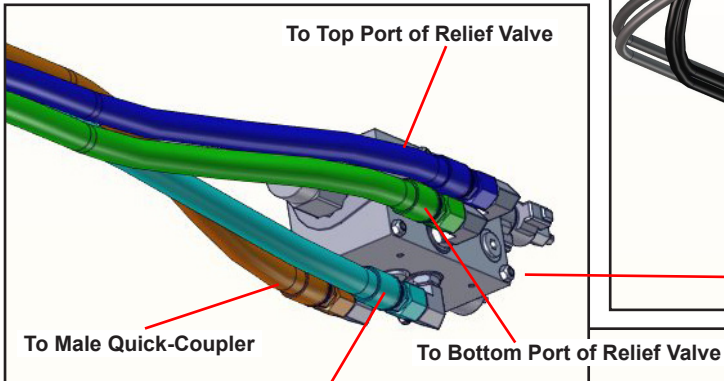
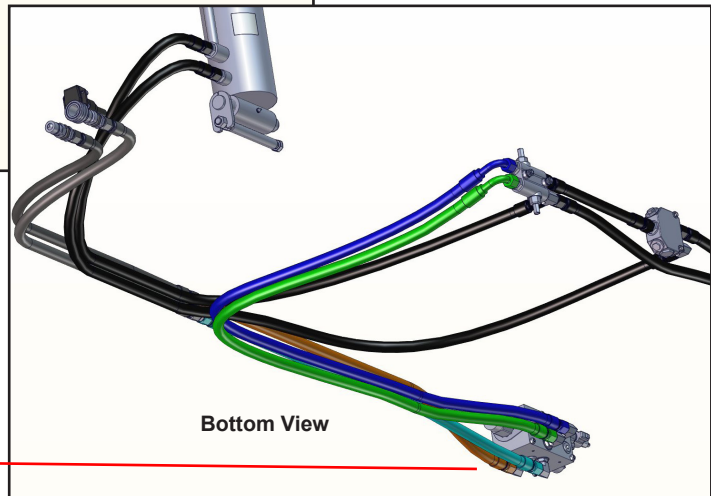
-OR-

CONTACT YOUR DEALER FOR
[4CFK2016 \(KIT, TRAILER PRO CONTROL BOX FOR 2ND TRACTOR, W/AERO\)](#)
 FOR DEMCO SIDE DUMPS EQUIPPED WITH AERO TARPS.

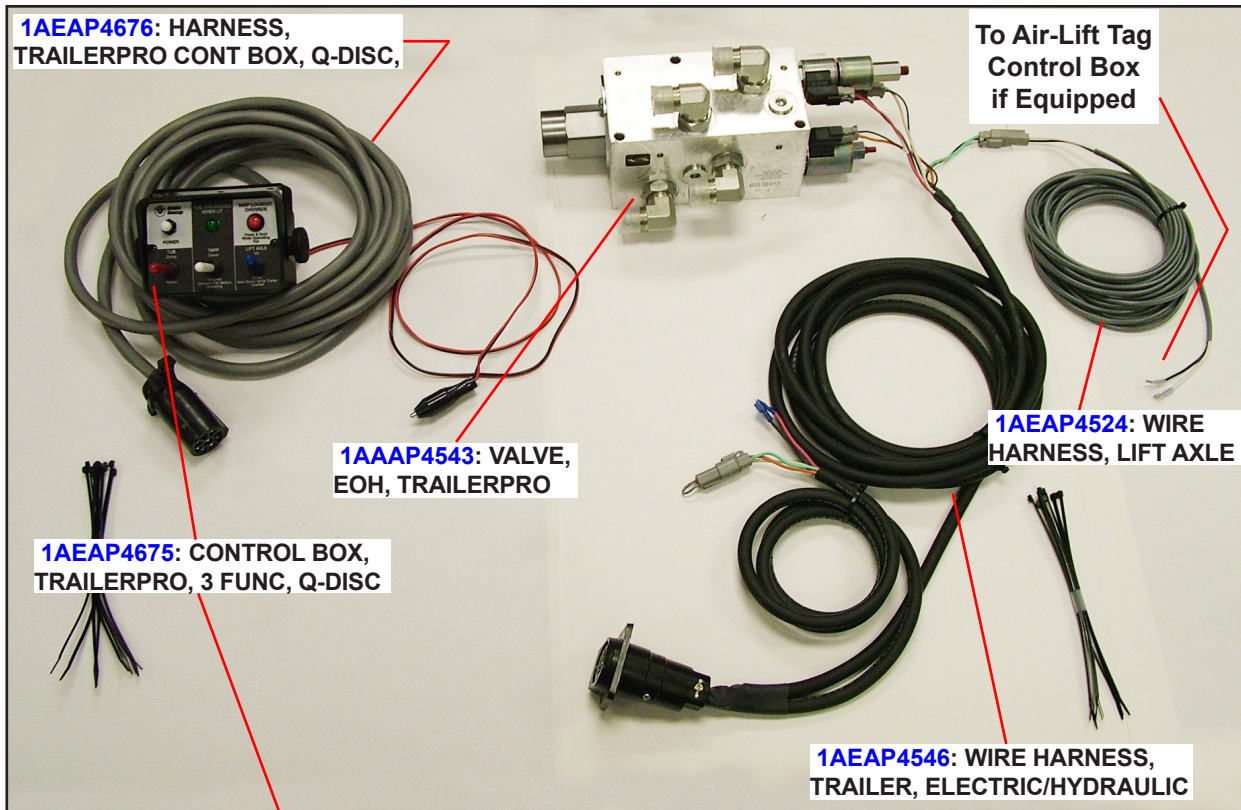
Electric Over Hydraulic Option

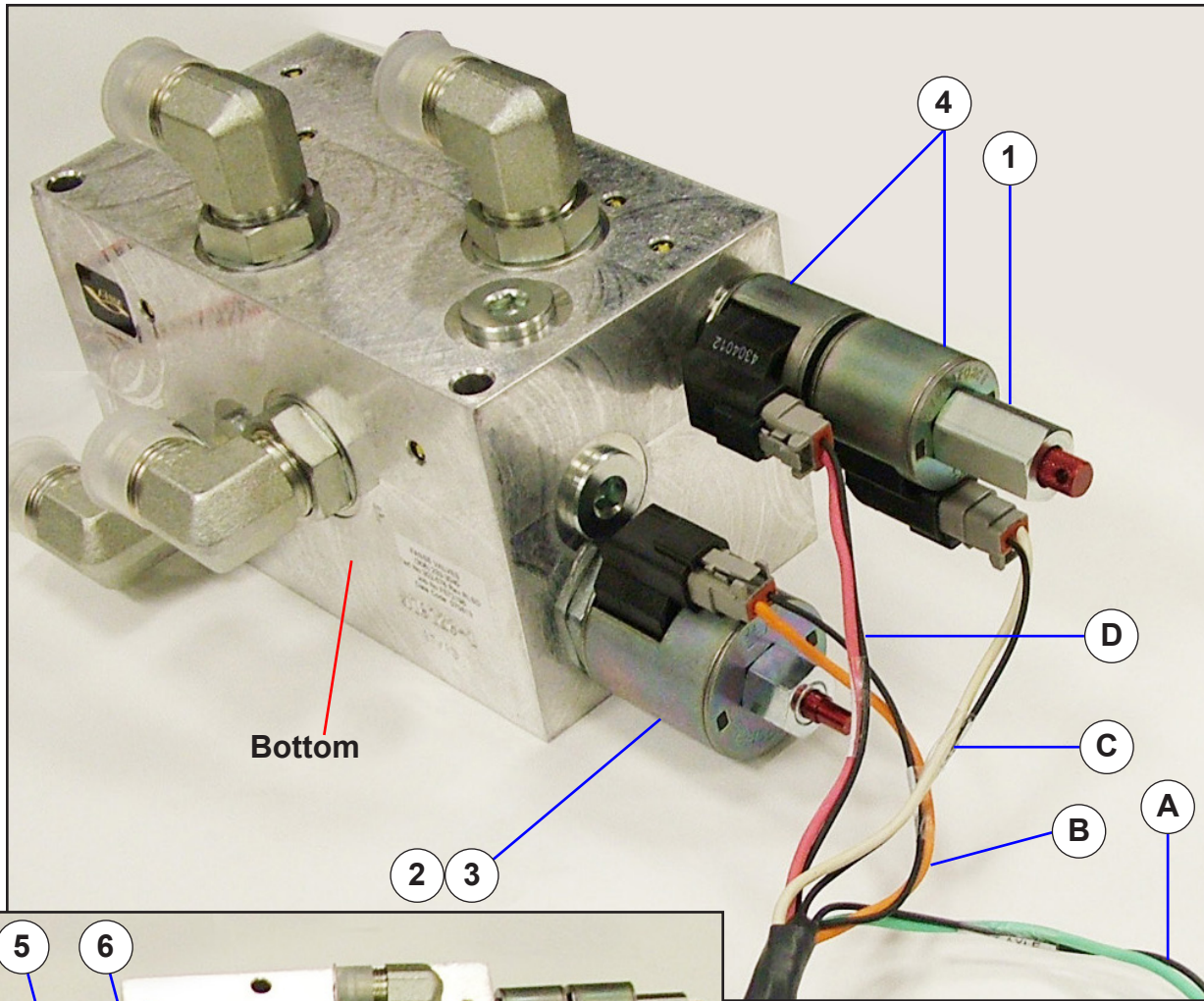


(1AKDDP1189) TRAILER PRO HOSE KIT; 4CFK2018

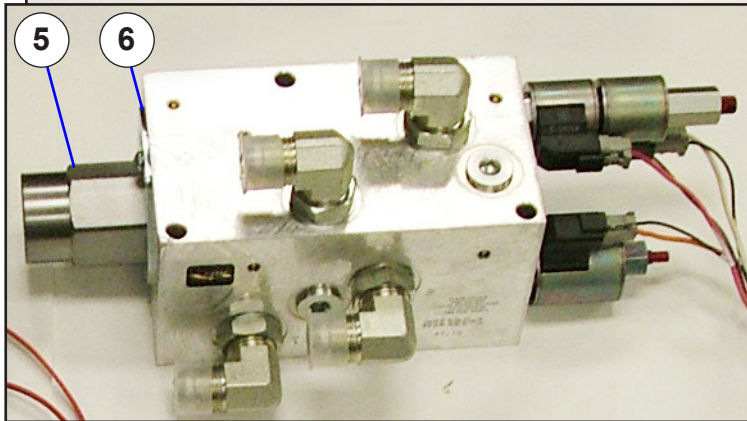


Electric Over Hydraulic Option





Bottom



BOM ID	Color	Connection
A	GREEN / BLACK	TO LIFT AXLE
B	ORANGE / BLACK	FLOW CONTROL COIL
C	WHITE / BLACK	DIRECTIONAL CONTROL COIL
D	RED / BLACK	DIRECTIONAL CONTROL COIL

BOM ID	Qty	Item No	Description
1	1	1AAAP4590	CARTRIDGE, EOH VALVE, DIRECTIONAL, 273-982
2	1	1AAAP4591	CARTRIDGE, EOH VALVE, FLOW CONTROL, 273-339
3	1	1AAAP4605	COIL, EOH VALVE, 1.81" OD, FLOW CONTROL, 10V, 253-800
4	2	1AAAP4606	COIL, EOH VALVE, 1.43" OD, DIRECTIONAL, 10V, 253-071
5	1	1AK00273340	CARTRIDGE, HYD, HPD42-S67C, 273-340
6	1	1AK00273341	LOCK NUT ADAPTER, CARTRIDGE HYD, 273-341

Installing the Control Box in the Tractor

Find a suitable location in the cab of the tractor and mount the control box. The red and black two wire cable attached to the back of the box is the power cable. Plug the cigarette lighter end into a power outlet in the cab.

If you do not have an available outlet for the cigarette lighter end, use the following instructions: Cut the cigarette lighter plug off. Split apart the wires and connect the red wire to a 12 volt dc power source and the black wire to ground. (A bag of terminals is included to allow you to tap into most fuse panels.)



WARNING: Red wire must be positive and black wire negative.

Reversing these wires can damage the control system.

Route the gray cord and male 9 pole plug out of the cab and to the front bulkhead of the side dump. Plug the cord into the female 9 pole socket on the side dump bulkhead.

To operate your Demco side dump, your tractor will need a hydraulic pump that can supply a minimum of 25gpm to the trailer at 2,500 psi. See page 36 for more information on the tractor's hydraulic requirements.

If your side dump is equipped with a tarp, you will also need to wire a power cord from the tractor's battery to the side dump to supply power to the tarp's motor. For detailed wiring instructions, see page 112 if you have a Roll Rite tarp or page 100-101 for an Aero tarp.

Operating the TrailerPro Control Box

Press the "Power" button to turn the system on. The button will light up to indicate the power is on. Press the button again to turn the system off.

Dumping the Tub

When the green light in the top center is illuminated, the tub can be dumped. (See Tarp Lock Out Option below)

The red switch in the lower left corner operates the tub. To dump the tub, turn on the tractor's hydraulic pump and then lift and hold the red toggle in the "dump" position to raise the tub and empty its contents. Release the switch when the cylinders reach the fully extended position.




WARNING: Do not stop dumping the load in mid dump and then try to return the tub to the transport position. You may tip over the side dump instead of returning the tub.

Push and hold the red switch in the "Return" position to bring the tub back to its transport position. Release the switch when the cylinders are fully retracted.

Operating the Tarp (If Equipped)


The white switch in the lower middle operates the tarp. Lift and hold the white switch to unroll the tarp and cover the tub. Push down and hold the switch to roll the tarp and uncover the tub.

 **WARNING:** When rolling the tarp do not continue to hold the switch after the tarp has reached its fully rolled position. Damage to the tarp or the motor can occur when the motor continues to try to roll the tarp after it has reached its fully rolled position.

Operating the Lift Axle (If Equipped)

The blue switch in the lower right corner controls the lift axle option. Lifting the switch to the up position raises the lift axle and pushing the switch down lowers the lift axle.

There is a manual control switch for the lift axle in the gray plastic box at the back of the side dump. There is also a regulator in the box that adjusts the amount of weight the lift axle carries. Instructions are printed inside the box.

 **WARNING:** Always lower the lift axle when the side dump is loaded. Damage to the side dump's frame can occur if the side dump is transported loaded with the lift axle in the raised position.


Using the Tarp Lock Out Option

The Tarp Lock Out prevents the tub from being dumped while the tarp is covering the tub. Dumping the contents of the tub while the tarp covers the tub will ruin the tarp and may cause the side dump to tip over.

If your side dump has a tarp and you purchased the tarp lockout option, the green light and the red button in the top row of the control box will be used. The green light will illuminate when the tarp is in the fully rolled up position.

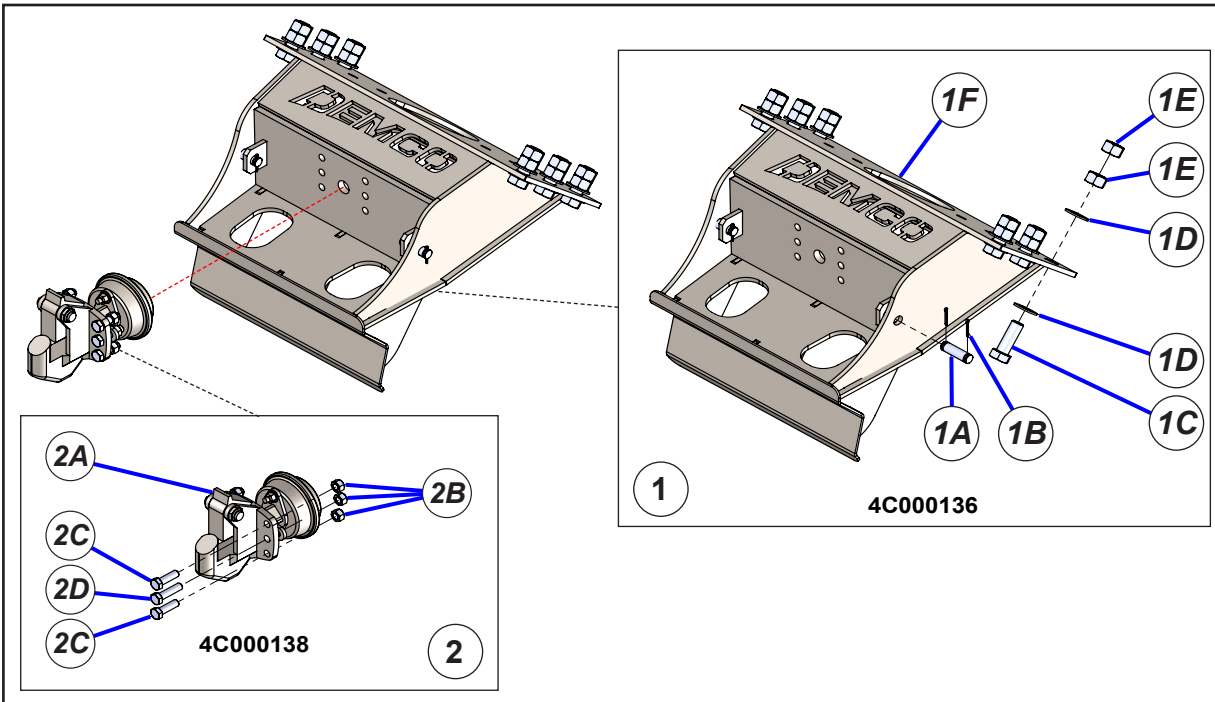
Once the green light is on, the red switch will be able to operate the tub. If the green light is not illuminated the red switch is "locked out" and the tub can't be moved.

The red button will allow you to dump the tub regardless of the position of the tarp. If the sensor for the green light is damaged or fails, or if you want to tip the tub with the tarp unrolled for maintenance, you can push and hold the red button while using the red switch to move the tub.

 **CAUTION:** *If the Tarp Lock Out option is not installed on your side dump, the green light will be illuminated all the time, regardless of the tarp's position.*

The Tarp Lock Out can be added to any side dump with a TrailerPro control box. Contact your Demco Dealer for more information. Specify the brand of tarp you have when placing your order.

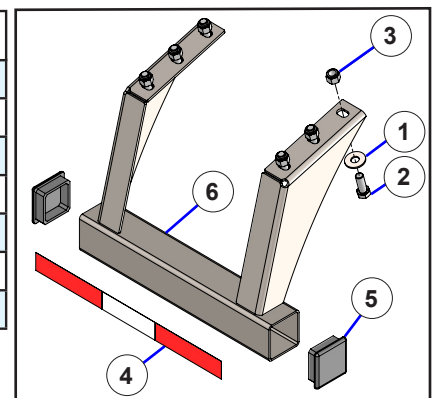
Rear Attachment Options



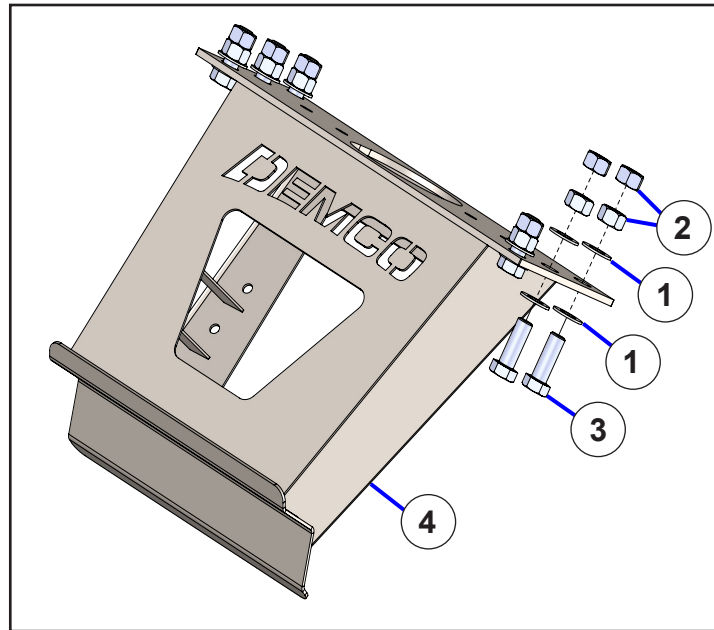
BOM ID	Qty	Item No	Description
1	1	4C000136	PUSH BLOCK PINTLE HITCH COMPLETE W/ HARDWARE
1A	2	1AFBP3403	PIN, CLEVIS, 1 X 2-3/4 USEABLE
1B	4	1AFBP3511	PIN, COTTER, 3/16 X 1-3/4
1C	6	1AFC12SDAH8	BOLT, 1-1/4-7 X 4", GRD 8, YZ
1D	12	1AFBP3634	WASHER, FLAT, 1-1/4, SAE, ZINC PLTD
1E	12	1AFBP3720	NUT, HEX, 1-1/4" - 7, GRD 8, YZ
1F	1	5C000189	PUSH BLOCK PINTLE HITCH
2	1	4C000138	PINTLE HOOK ASSY, COMPLETE W/ HARDWARE
2A	1	1ACAP3644	PINTLE HOOK ASSY W/ AIR LOCK, PREMIER 2300A
2B	6	1AFBP3442	NUT, HEX LOCK, 3/4"-10, TOP LOCK, GRD C, PLTD
2C	4	1AFBP3197	HEX CAP SCREW, 3/4"-10 X 2-1/2", GRD 8, PLTD
2D	2	1AFBP3209	HEX CAP SCREW, 3/4"-10 X 3, GRD 8, PLTD

4C000137 (PINTLE HITCH STUB BUMPER COMPLETE)			
BOM ID	Qty	Item No	Description
1	6	1AF009L000	3/4 USS FLAT WASHER ZINC PLTD
2	6	1AFBP3139	HEX CAP SCREW, 3/4"-10 X 2", GRD 5, ZINC PLTD
3	6	1AFBP3296	NYLON INSERT LOCKNUT, 3/4-10 UNC
4	2.04	1AQAS000000	RWR CONSPICUITY TAPE
5	2	1AR00000050	4X4X3/16 PLASTIC TUBE CAP
6	1	5C000191	PINTLE HITCH STUB BUMPER

*THIS STUB BUMPER IS SPECIFIC TO THE PINTLE HITCH/PUSH BLOCK COMBO

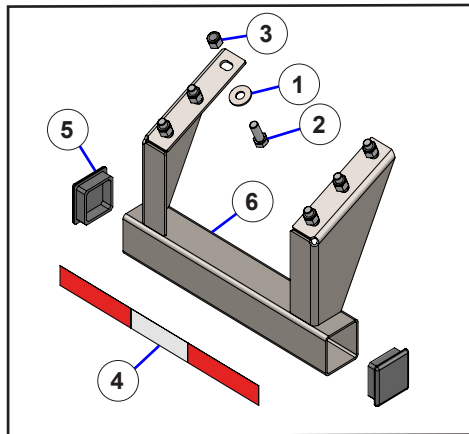


Rear Attachment Options



4C000117 (PUSH BLOCK W/ LOGO, COMPLETE W/ HARDWARE)

BOM ID	Qty	Item No	Description
1	12	1AFBP3634	WASHER, FLAT, 1-1/4, SAE, ZINC PLTD
2	12	1AFBP3720	NUT, HEX, 1-1/4"-7, GRD 8, YZ
3	6	1AFC12SDAH8	BOLT, 1-1/4-7 X 4", GRD 8, YZ
4	1	5C000172	PUSH BLOCK W/ DEMCO LOGO

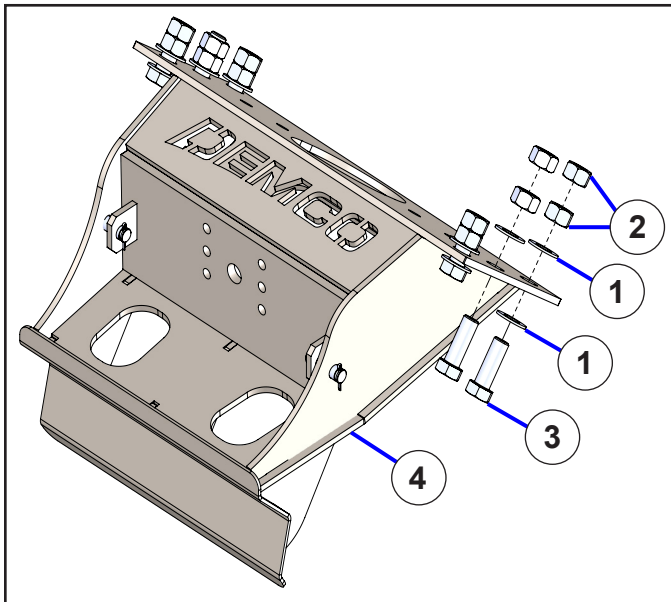
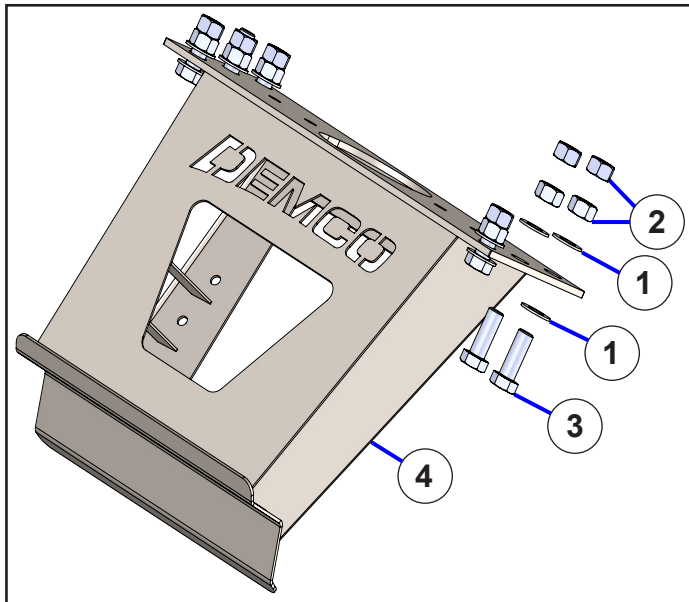


4C000116 (STUB BUMPER, COMPLETE W/ END CAPS & HARDWARE)

BOM ID	Qty	Item No	Description
1	6	1AF009L000	3/4 USS FLAT WASHER ZINC PLTD
2	6	1AFBP3139	HEX CAP SCREW, 3/4"-10 X 2", GRD 5, ZINC PLTD
3	6	1AFBP3296	NYLON INSERT LOCKNUT, 3/4-10 UNC
4	2.04	1AQAS000000	RWR CONSPICUITY TAPE
5	2	1AR00000050	4X4X3/16 PLASTIC TUBE CAP
6	1	5C000173	PINTLE HITCH STUB BUMPER

*THIS STUB BUMPER IS SPECIFIC TO THE PUSH BLOCK OPTION

Rear Attachment Options



4C000119

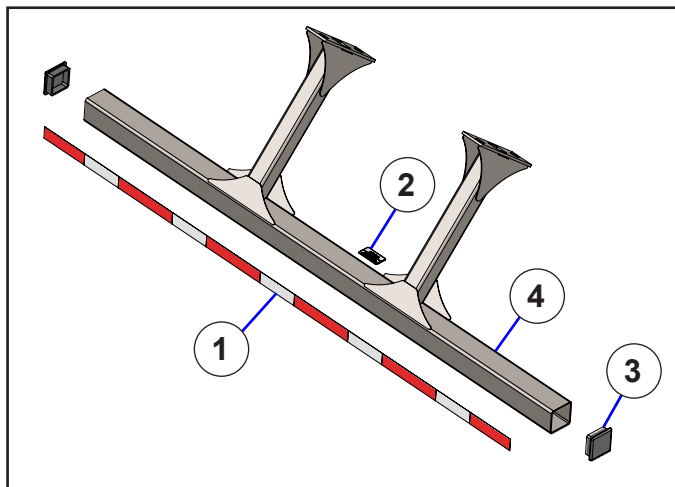
(PUSH BLOCK W/ LOGO, COMPLETE FOR ICC BUMPER)

BOM ID	Qty	Item No	Description
1	10	1AFBP3634	WASHER, FLAT, 1-1/4, SAE, PLTD
2	12	1AFBP3720	NUT, HEX, 1-1/4"-7, GRD 8, YZ
3	6	1AFC12SDAH8	BOLT, 1-1/4-7 X 4", GRD 8, YZ
4	1	5C000172	PUSH BLOCK W/ DEMCO LOGO

4C000139

(PUSH BLOCK PINTLE HITCH W/ HARDWARE, UR BUMPER)

BOM ID	Qty	Item No	Description
1	10	1AFBP3634	WASHER, FLAT, 1-1/4, SAE, PLT
2	12	1AFBP3720	NUT, HEX, 1-1/4"-7, GRD 8, YZ
3	6	1AFC12SDAH8	BOLT, 1-1/4-7 X 4", GRD 8, YZ
4	1	5C000189	PUSH BLOCK W/ DEMCO LOGO



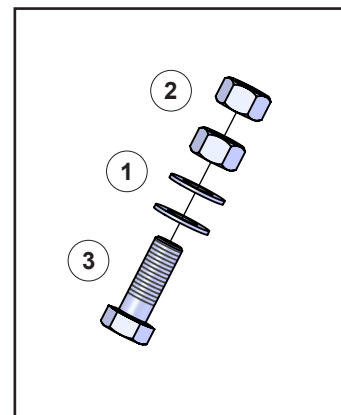
4C000118

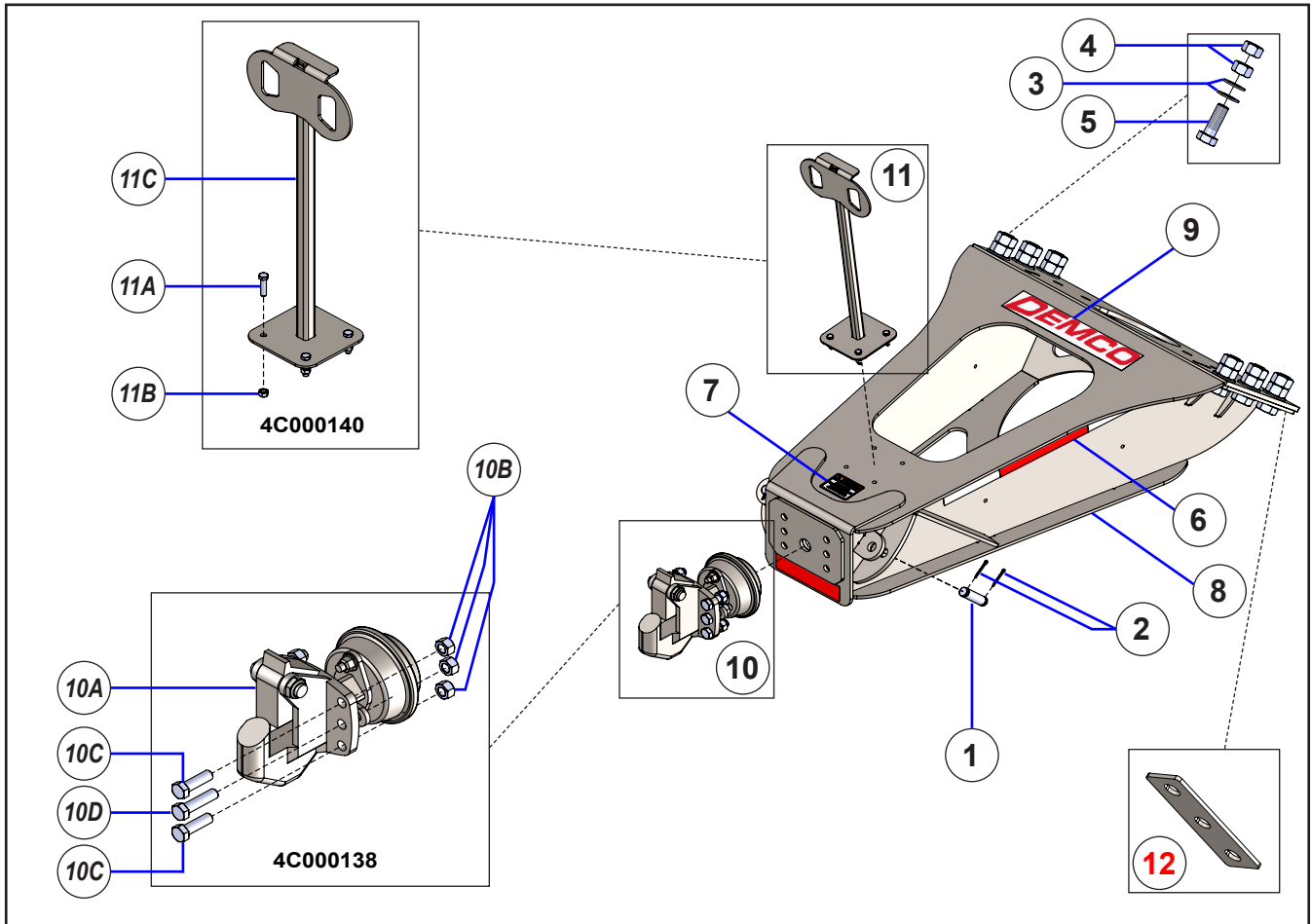
(UNDERRIDE BUMPER PROTECTOR, COMPLETE W/O HARDWARE)

BOM ID	Qty	Item No	Description
1	7.95	1AQAS000000	RWR CONSPICUITY TAPE
2	1	1AQCD065061	ICC BUMPER DECAL
3	2	1AR00000050	4X4X3/16 PLASTIC TUBE CAP
4	1	5CAM8105	UNDERRIDE BUMPER GUARD

UNDERRIDE BUMPER ONLY HARDWARE

BOM ID	Qty	Item No	Description
1	8	1AFBP3634	WASHER, FLAT, 1-1/4, SAE, PLTD
2	8	1AFBP3720	NUT, HEX, 1-1/4"-7, GRD 8, YZ
3	4	1AFC12SDAH8	BOLT, 1-1/4-7 X 4", GRD 8, YZ

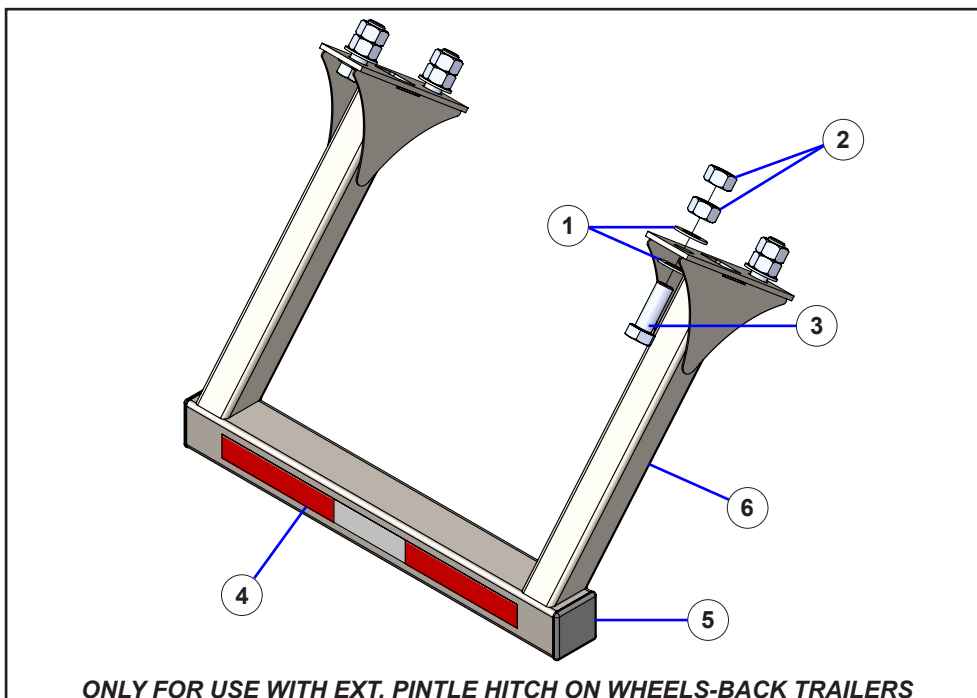




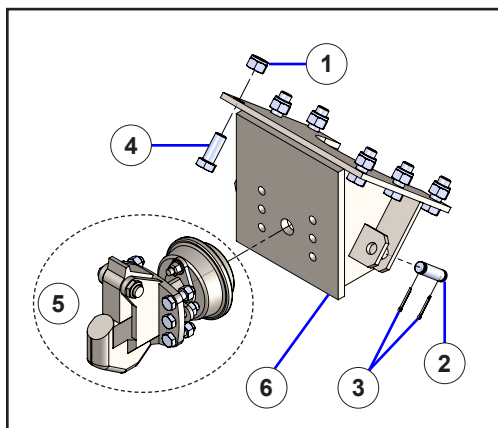
5C000200 (EXTENDED PINTLE HITCH ASSEMBLY)			
BOM ID	Qty	Item No	Description
1	2	1AFBP3403	PIN, CLEVIS, 1 X 2-3/4 USEABLE
2	4	1AFBP3511	PIN, COTTER, 3/16 X 1-3/4
3	10	1AFBP3634	WASHER, FLAT, 1-1/4, SAE, PLTD
4	12	1AFBP3720	NUT, HEX, 1-1/4"-7, GRD 8, YZ
5	6	1AFC12SDAH8	BOLT, 1-1/4-7 X 4", GRD 8, YZ
6	6.58	1AQAS000000	RWR CONSPICUITY TAPE
7	1	1AQWA065076	WARNING - HITCH LOAD HAZARD
8	1	5C000199	MY24 EXTENDED PINTLE HITCH MOUNT
9	1	DE21005	SMALL RED DEMCO DECAL, 17" X 3.125"
10	1	4C000138	PINTLE HOOK ASSY, COMPLETE W/ HARDWARE
10A	1	1ACAP3644	PINTLE HOOK ASSY W/ AIR LOCK, PREMIER 2300A
10B	6	1AFBP3442	NUT, HEX LOCK, 3/4"-10, TOP LOCK, GRD C, PLTD
10C	4	1AFBP3197	HEX CAP SCREW, 3/4"-10 X 2-1/2", GRD 8, PLTD
10D	2	1AFBP3209	HEX CAP SCREW, 3/4"-10 X 3, GRD 8, PLTD
11	1	4C000140	EXTENDED PINTLE HOSE HANGER COMPLETE W/ HARDWARE
11A	4	1AFBP3005	HEX CAP SCREW, 3/8"-16 X 1-1/2", GRD 5, PLTD
11B	4	1AFC17F0000	NUT, HEX, 3/8"-16, GRD 2, PLTD
11C	1	5C000192	EXTENDED PINTLE HOSE HANGER
12*	2	3C000226	MY24 EPH MOUNTING BACKING PLATE

*NOT REQUIRED WHEN MOUNTING WITH UNDERRIDE BUMPER

Rear Attachment Options



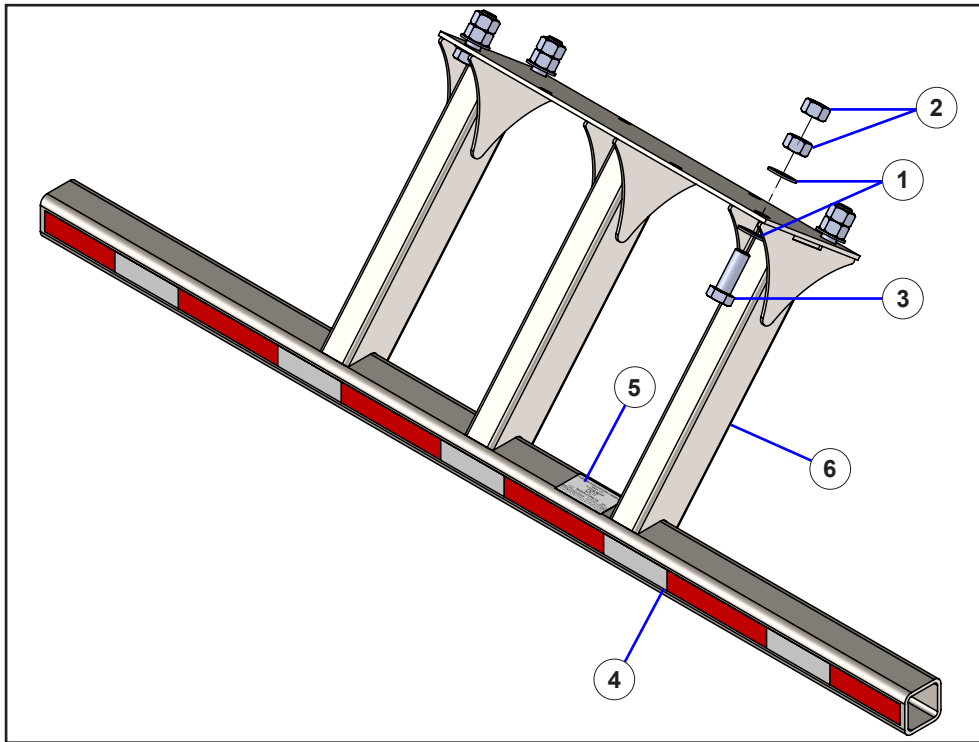
4C000153 (LIGHTWEIGHT BUMPER, COMPLETE FOR EXTENDED PINTLE HITCH)			
BOM ID	Qty	Item No	Description
1	8	1AFBP3634	WASHER, FLAT, 1-1/4, SAE, PLTD
2	8	1AFBP3720	NUT, HEX, 1-1/4"-7, GRD 8, YZ
3	4	1AFC12SDAH8	BOLT, 1-1/4-7 X 4", GRD 8, YZ
4	2.42	1AQAS000000	RWR CONSPICUITY TAPE
5	2	1AR00000050	4X4X3/16 PLASTIC TUBE CAP
6	1	5C000227	MY24 SLIM BUMPER FOR EPH, WELDMNT



STANDARD PINTLE HITCH MOUNT			
BOM ID	Qty	Item No	Description
1	6	1AFBP3295	NUT, NYLOCK, 1"-8, GRD 8, YZ
2	2	1AFBP3403	PIN, CLEVIS, 1" X 2-3/4" L
3	4	1AFBP3511	PIN, COTTER, 3/16 X 1-3/4
4	6	1AFBP3721	BOLT, 1"-8 X 2-1/2", GRD 8, YZ
5*	1	4C000138	PINTLE HOOK ASSY, COMP.
6	1	5CAM8103	PINTLE HITCH MOUNT

***SEE PREVIOUS PAGE FOR PARTS BREAKDOWN**

Rear Attachment Options

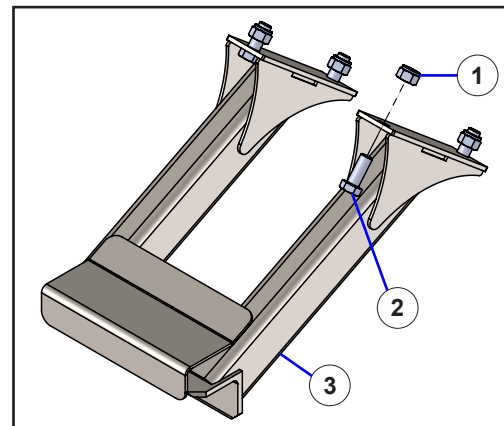


CMVSS UNDERRIDE BUMPER

BOM ID	Qty	Item No	Description
1	8	1AFBP3634	WASHER, FLAT, 1-1/4, SAE, PLTD
2	8	1AFBP3720	NUT, HEX, 1-1/4"-7, GRD 8, YZ
3	4	1AFC12SDAH8	BOLT, 1-1/4-7 X 4", GRD 8, YZ
4	7.95	1AQAS000000	RWR CONSPICUITY TAPE
5	1	1AQCD065061	ICC BUMPER DECAL
6	1	5CAM9343	UNDERRIDE BUMPER GUARD, CMVSS

PUSH BLOCK COMPATIBLE W/ CMVSS BUMPER

BOM ID	Qty	Item No	Description
1	4	1AFBP3295	NUT, NYLOCK, 1"-8, PLTD
2	4	1AFBP3721	BOLT, 1"-8 X 2-1/2", GRD 8, YZ
3	1	5CAM9345	CMVSS BUMPER PUSHBLOCK



ELECTRICAL SYSTEM

MALFUNCTION	PROBABLE CAUSE	CORRECTIVE ACTION
All lights fail to light.	Inter-vehicular cable not properly plugged into receptacles on semi-trailer and towing vehicle	Pull plugs out and reinsert them. Be sure plugs seat properly.
	Light switch on towing vehicle is malfunctioning	Check light switch.
	No current from towing vehicle	Check circuit breaker and wiring on towing vehicle.
	Short circuit in wiring	Check wiring for bare spots in insulation.
	Dirty or corroded contacts in receptacle or on plug of inter-vehicular cable	Clean receptacle and plug.
	Dirty or corroded contacts in connectors of semi-trailer wiring	Clean corroded contacts in connectors.
Lights burn dim or flicker.	Loose, dirty, or corroded terminals	Clean and tighten terminals.
	Poor or loose ground	Clean and tighten terminals on short (ground) cable.
	Defective lamps	Replace defective lamps.
	Dirty or corroded lamp socket or contact in receptacle, or on plug of inter-vehicular cable	Clean or replace lamp socket, receptacle, or plug.
Individual lamps do not light.	Burned out lamp	Replace lamp.
	Broken or loose connection	Tighten, repair, or replace broken connections. Clean poor or dirty connections.
	Damaged light assembly	Repair or replace light assembly.
	Dirty or corroded lamp socket	Remove lamp and clean contacts.
	Dirty or corroded contact in receptacle or on plug of inter-vehicular cable	Clean receptacle and plug.

HYDRAULIC SYSTEM

MALFUNCTION	PROBABLE CAUSE	CORRECTIVE ACTION
Tub will not dump.	Hoses not connected to power unit	Clean hydraulic coupler and connect to trailer.
	Power unit malfunction	Check power unit pressure and flow rate.
	Ruptured line or loose fitting	Check for hydraulic leaks - replace hydraulic hose and/or fitting.
	Hydraulic cylinder	Replace cylinder packing.
	Proportional valve	Check pressure at both cylinders for equal pressure.
	Double relief valve	Adjust high-pressure relief cartridge.
Tub dumping slowly.	Dirt in relief valve	Disassemble valve. Clean with diesel fuel or kerosene, or replace cartridge.
	Chattering noise in relief valve	Dirty valve or pressure set too low and bypassing. Check pressure setting.
	Power unit hydraulic system	Check pressure and flow rate on power unit.

AXLE AND ALIGNMENT

MALFUNCTION	PROBABLE CAUSE	CORRECTIVE ACTION
Semi-trailer swerves.	Accidental damage to axle from striking obstruction	Replace axle.
	Damage to axle from overloading	Replace axle.
	Loose nuts holding shackle box	Tighten or replace shackle box or shackle box liners.
Hard pulling.	Dragging brakes	Adjust brakes.
	Improper wheel bearing adjustment	Adjust wheel bearings.
	Bent axle	Replace axle.
	Dragging Axle, lost U-bolt	Align axles and secure.
Excessively worn, scuffed, or cupped tires.	Improper tire pressure	Inflate tires to proper pressure.
	Loose wheels	Tighten cap nuts.
	Loose wheel bearings	Adjust wheel bearings.
	Bent rim or wheel	Replace wheel.
	Bent axle	Replace axle.
	Axles out of alignment	Align axles.

HUBS, BEARINGS, WHEELS, AND TIRES

MALFUNCTION	PROBABLE CAUSE	CORRECTIVE ACTION
Noise	Brake shoes drag on drums	Adjust brakes.
	Brake shoes out of round	Repair or replace brake drum.
	Broken brake shoe return spring	Replace broken return spring.
	Loose wheel stud nuts	Tighten loose wheel nuts.
	Damaged wheel bearings	Replaced damaged wheel bearings.
	Wheel bearings not properly adjusted	Adjust wheel bearings.
	Obstruction between duals or in tread	Remove obstruction.
	Damaged wheels and/or hubs	Replace damaged wheels and/or hubs.
Wobbly wheels.	Loose cap nuts	Tighten or replace cap nuts.
	Improperly-adjusted wheel bearings	Adjust wheel bearings.
	Bent or damaged wheel	Replace damaged wheels.
	Bent axle spindle	Replace axle.
Overheated hubs.	Lack of wheel bearing lubricant	Lubricate wheel bearings.
	Wheel bearings improperly-adjusted	Adjust wheel bearings.
	Damaged bearing or cup	Replace damaged bearing or cup.
	Damaged hub	Replace damaged hub.
	Bent axle spindle	Replace axle.
	Overloading or unbalanced load distribution	Check load weights hauled and keep within rated gross capacity, or arrange load evenly.
Air leakage from tires.	Valve core loose or damaged	Tighten or replace valve core.
	Punctured tube	Repair or replace tube.
	Damaged bearing or cup	Replace damaged bearing or cup.

HUBS, BEARINGS, WHEELS, AND TIRES (CONT.)

MALFUNCTION	PROBABLE CAUSE	CORRECTIVE ACTION
Undue wear of any or all tires.	Incorrect tire inflation	Inflate tires to proper pressure. Tighten valve caps finger tight.
	Overloading	Check load weights hauled and keep within rated gross capacity.
	Brake action too severe	Check and adjust brakes
	Tires not properly inflated	With tires properly inflated, check overall circumference of tires. The difference in overall circumference must not exceed the 3/4 inch limit. Remove wheel and tire assembly and match tires.

BRAKES AND AIR SYSTEM

MALFUNCTION	PROBABLE CAUSE	CORRECTIVE ACTION
Brakes erratic or unequal.	Improper lubricant or grease inside brake drum or outside of wheel	Clean and lubricate.
	Loose hub cap	Tighten hub cap.
	Defective oil seals	Replace defective oil seals.
Overheated brake drum.	Broken or weak brake shoe return spring	Replace return spring.
	Broken brake lining	Replace brake shoe assembly.
	Dragging brake shoe assembly	Adjust brake shoe assembly.
	Bent axle spindle	Replace axle.
Insufficient brakes.	Improper brake adjustment on worn brake linings	Adjust brakes or replace brake shoe assemblies as neccessary.
	Improper slack adjuster adjustment	Adjust slack adjuster.
	Air leakage in brake system	Examine for air leaks in brake system. Replace components that are found defective.
	Low air pressure	Check air pressure gauge in towing vehicle cab. Pressure must not be below 80 psi.
	Restriction in air hose or lines	Look for dented or kinked air lines. Examine air hoses to make sure none are pinched between other components on the same trailer.
Slow brake application or slow release.	Maximum brake chamber pushrod travel	Adjust slack adjuster and adjust brakes as neccessary.
	Weak brake shoe return spring	Check brake shoe return spring replace if found to be weak.
Noisy brakes.	Lining or rivets loose	Replace brake drum assembly.
	Road grit, rust or metal particles in brake drum or lining	Clean brake drum and lining. Replace brake shoe assembly if grit or metal particles are embedded in the lining.
	Brake drum out of round or scored	Repair or replace brake drum.

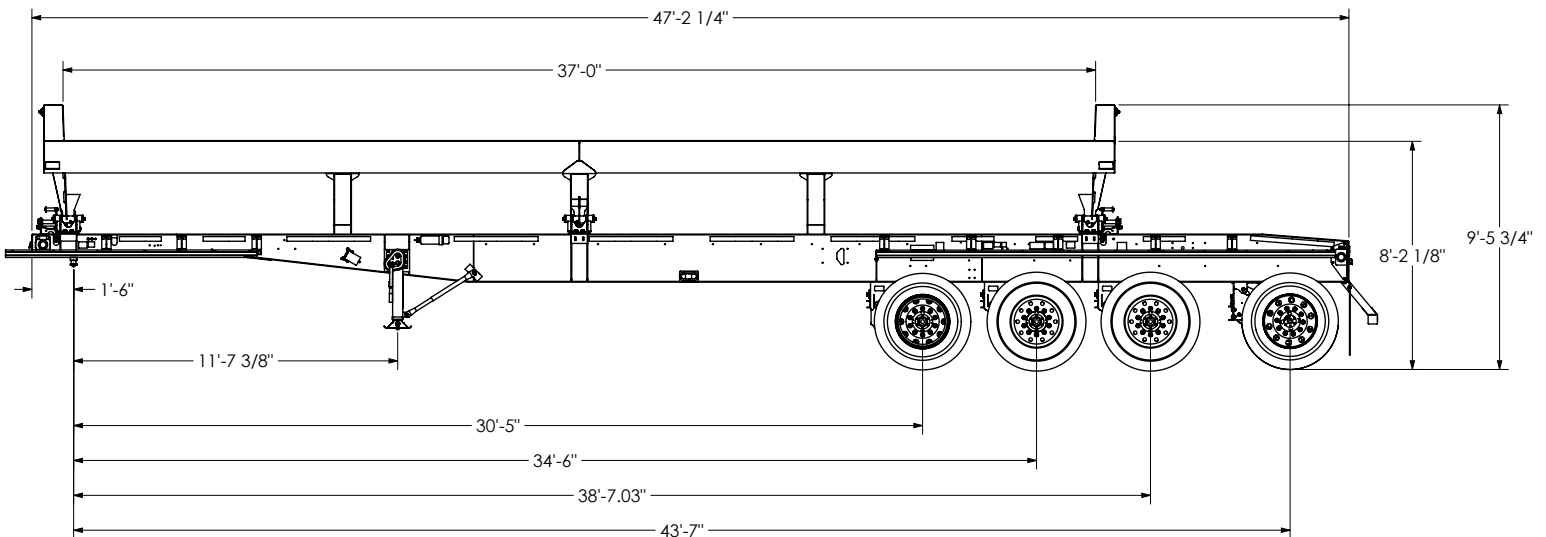
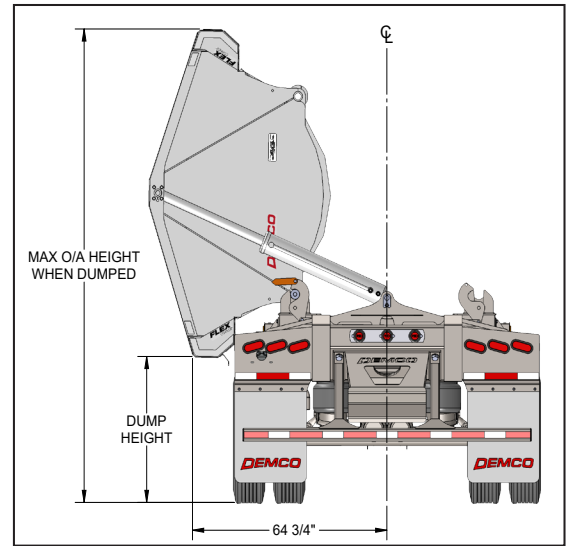
BRAKES AND AIR SYSTEM (CONT.)

MALFUNCTION	PROBABLE CAUSE	CORRECTIVE ACTION
Grabbing brakes or wheels.	Lubricant on brake lining	Inspect for lubricant on brake lining. Replace brake shoe assembly if lubricant on lining is evident.
	Loose brake lining	Inspect brake lining for sheared or worn rivets or bolts. Replace defective brake shoe assembly.
	Distorted brake lining	Replace brake shoe assembly.
	Loose or worn wheel bearings	Adjust wheel bearings. If adjustment of wheel bearings does not correct the condition, replace bearings.
Not holding air pressure.	Excessive leakage in relay-emergency valve, and exhausts port	Replace relay-emergency valve.
	Air leakage at line connectors	Tighten connectors until air leakage disappears. If air leakage persists, replace defective connectors and/or air lines.
	Leakage at service or emergency line couplings	Couplings are improperly connected or packing ring gasket in hose coupling is defective. Connect couplings properly or replace packing ring gasket in hose couplings.
	Air leakage at service or emergency air hose coupling when towing vehicle service air hose is disconnected	Replace relay-emergency valve.
No brakes.	Source of air supply shut off at towing vehicle	Open air line valves at rear of towing vehicle.
	Air brake hose between semi-trailer and towing vehicle not properly coupled	Examine air brake hose to make sure hoses marked SERVICE and EMERGENCY are properly connected to the semi-trailer and towing vehicle.
	Air reservoir drain cock open	Check air reservoir drain cocks on both semi-trailer and towing vehicle.
	Air leakage from RE-6 valve	Test for air leaks by applying soap suds to cover plate, cover plate vent, and exhaust port. Replace with new unit if any leaks are present.
	Air leakage in brake system	Examine all air hoses, lines, and connecting components in the brake system for air leaks. Replace any component that are found to be defective.
	Low air pressure	Check air pressure gauge in towing vehicle. Pressure must not be below 80 psi.
	Defective relay-emergency valve	Replace defective valve.
	Brake air chamber inoperative	Check for punctured diaphragm.
Brakes need adjustment	Adjust brakes.	



Trailer Specifications and Features

- 20" Deep Twin "I" Beam Chassis with 3/8" Fifth Wheel Plate
- Tub dump direction indicators visible in truck mirrors
- Holland Atlas 51000 Landing Gear With 2 Speed Gear Box
- Holland 23,000 lb. 5-3/4" OD Axle
- Haldex 2S1M ABS System
- Six Integrated Tub Pivot Points with Greaseless Pivot Bearings.
- Tub dump direction controlled from the left side. No need to walk all around the trailer to change dump direction.
- Rubber "EdgeFlex" fenders with bolt-on mounts. Easily replace damaged fender parts.
- 1/4" AR450 Tub with exclusive "Flex Corner" design. (3/16" AR450 Available)
- Large Single "G" Rail on Tub. Lighter and Stronger than two rail systems.
- Suspension: Holland CBX23-17 Air Ride. Rear Axle Air Lift Available
- Wheel & Tire Options: 11R22.5 or 11R24.5 on Steel or Aluminum Rim, 385/65R22.5 on Aluminum Rim
New or Recap Tires Available. Other sizes available upon request.
- Hydraulic System: 3000 psi rated 3/4" Hoses, Fittings, Flow Divider, and Relief Valve.
- Trailer Mounted Electric Over Hydraulic Control Valve Available.
- Twin 3000 psi rated 6" Cylinders
- Standard LED lights in enclosed boxes with sealed plugs.
- Bolt-on Push/Lift block with Under Ride Bumper conform to Federal Motor Vehicle Safety Standards.
- Standard Colors: Black, White, Yellow, and Burgundy. Custom Colors Available.
- Optional Roll Rite or Aero Electric Tarp.



DEMCO

4010 320th St., Boyden, IA. 51234

Phone: (712) 725-2311

Fax: (712) 725-2380

Toll Free: 1-800-54DEMCO (1-800-543-3626)

**Demco warranty policies, operator manuals, and product registration
can be found online:**

www.demco-products.com