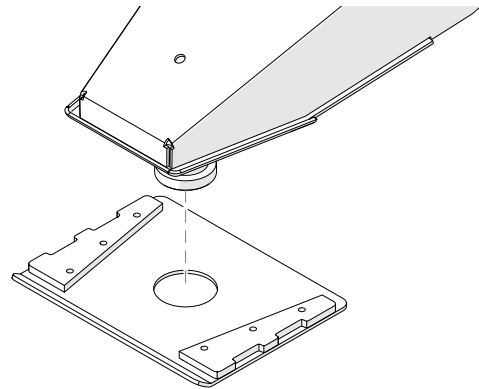
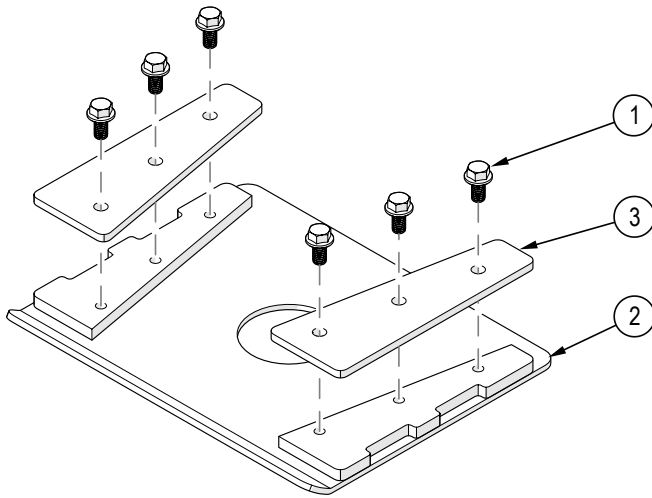
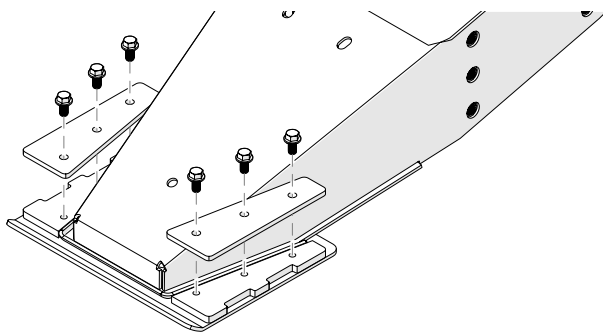


## LIPPERT PIN BOX ADAPTOR FOR DEMCO AUTOSLIDE HITCHES 6335

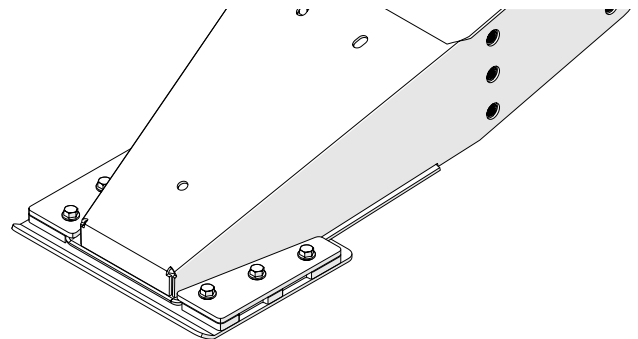


ITEM #	PART #	DESCRIPTION	QTY
1	16258	BOLT .375NC X .75 GR5 HEX FLG	6
2	16851-76	CAPTURE PLATE ADAPTOR BASE	1
3	16852-76	CLAMP PLATE	2
-	12329	THREAD LOCK	1

1. Slide adapter base over king pin on pin box.



2. Attach base with the two clamp plates and six bolts. Apply the supplied thread lock to bolts.



3. Torque the bolts to 25-30 ft-lbs.