

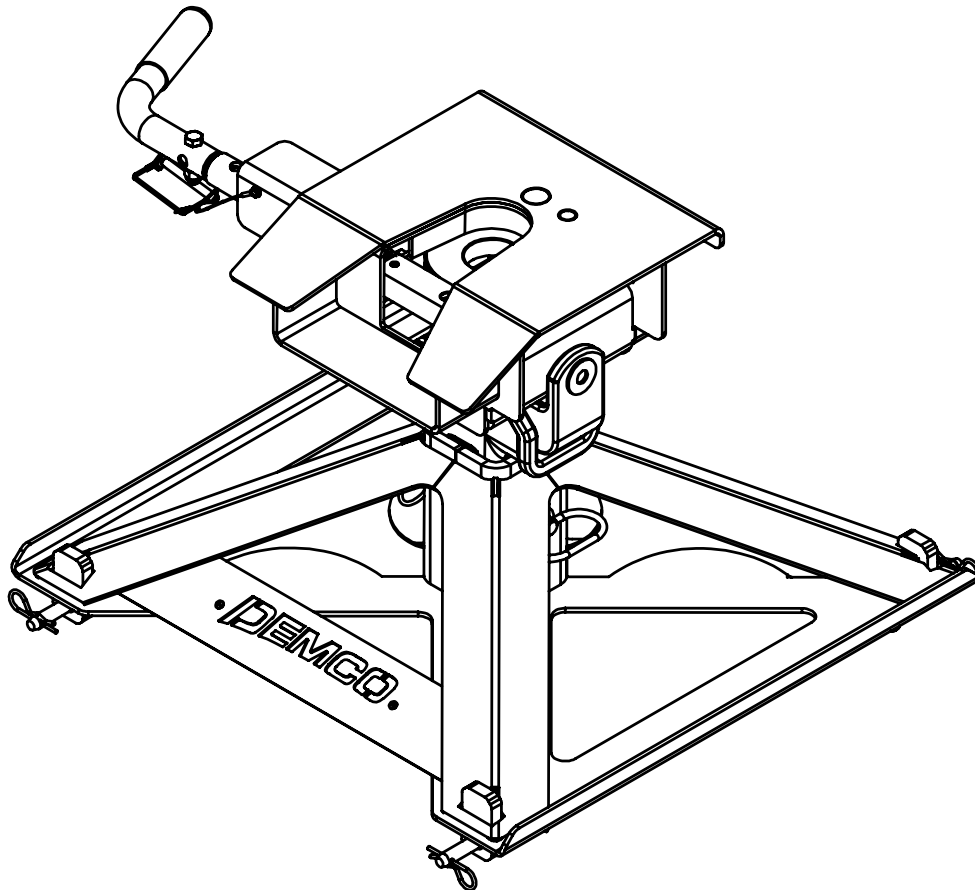


Doing Our Best to Provide You the Best

HJ26180, Rev 6
09/23

5TH WHEEL HITCH

Recon



OPERATOR MANUAL

Introduction

Thank you for purchasing a Demco Recon hitch. We feel you have made a wise choice and hope you are completely satisfied with your new piece of equipment.

WARRANTY POLICY, OPERATOR MANUALS & REGISTRATION

Go online to www.demco-products.com to review Demco warranty policies, operator manuals and register your Demco product.

Please consult vehicle owner's manual for 5th wheel towing instructions.

GENERAL INFORMATION

1. Unless otherwise specified, high-strength (grade 5) (3 radial-line head markings) hex head bolts are used throughout assembly of this piece of equipment.
2. Whenever the terms “LEFT” and “RIGHT” are used in this manual it means from a position behind the vehicle and facing forward.
3. When placing a parts order, refer to this manual for proper part numbers and place order by **PART NO. and DESCRIPTION.**

Bolt Torque for Standard bolts *

“A”	GRADE 2		GRADE 5		GRADE 8	
	lb-ft	(N.m)	lb-ft	(N.m)	lb-ft	(N.m)
1/4”	6	(8)	9	(12)	12	(16)
5/16”	10	(13)	18	(25)	25	(35)
3/8”	20	(27)	30	(40)	45	(60)
7/16”	30	(40)	50	(70)	80	(110)
1/2”	45	(60)	75	(100)	115	(155)
9/16”	70	(95)	115	(155)	165	(220)
5/8”	95	(130)	150	(200)	225	(300)
3/4”	165	(225)	290	(390)	400	(540)
7/8”	170	(230)	420	(570)	650	(880)
1”	225	(300)	630	(850)	970	(1310)

Bolt Torque for Metric bolts *

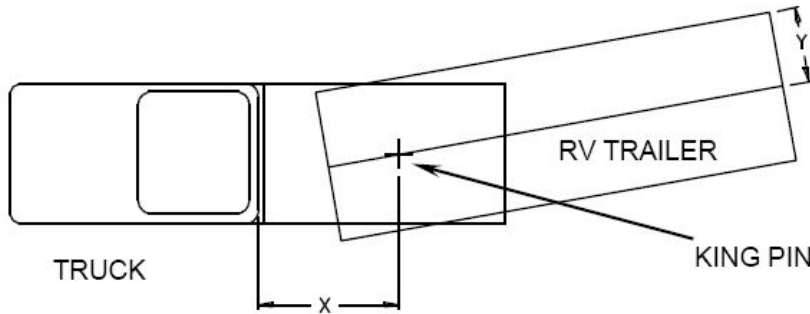
“A”	CLASS 8.8		CLASS 9.8		CLASS 10.9	
	lb-ft	(N.m)	lb-ft	(N.m)	lb-ft	(N.m)
6	9	(13)	10	(14)	13	(17)
7	15	(21)	18	(24)	21	(29)
8	23	(31)	25	(34)	31	(42)
10	45	(61)	50	(68)	61	(83)
12	78	(106)	88	(118)	106	(144)
14	125	(169)	140	(189)	170	(230)
16	194	(263)	216	(293)	263	(357)
18	268	(363)	--	--	364	(493)
20	378	(513)	--	--	515	(689)
22	516	(699)	--	--	702	(952)
24	654	(886)	--	--	890	(1206)

WARNING

Failure to follow these instructions may result in death or serious injury!

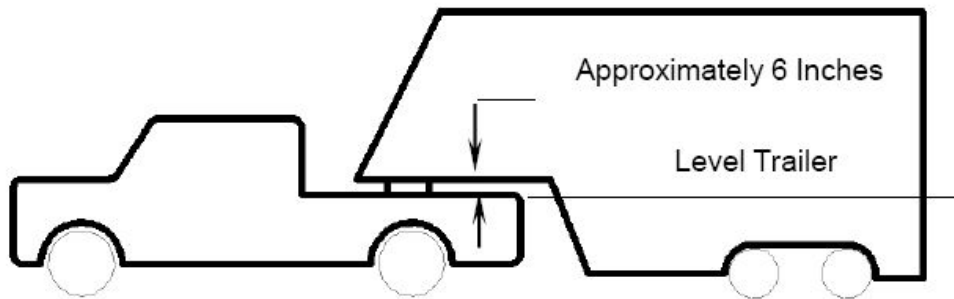
- Trailer and its contents together must not exceed truck, hitch and/or trailer tow ratings.
- Towing vehicle must have a manufacturer's rated towing capacity equal to or greater than the gross trailer weight (dry weight of the trailer plus payload of the trailer).
- Gross weight of trailer must not exceed weight rating of hitch assembly.
- King pin weight must not exceed 4,000 pounds. If in doubt have king pin weight measured by qualified facility

1. Demco 5th wheel hitches are designed for use with recreational fifth wheel trailers only.
2. Use only a SAE 2-inch king pin with your Demco 5th wheel Fifth Wheel Hitch.
3. Approximately 15%-25% of trailer weight should be on hitch (Pin Weight).
4. Trucks come in many different configurations. Demco hitches are designed for use in light trucks such as the Ford F-Series, the Chevy Silverado and the Dodge Ram. Demco recommends the use of long bed (8ft) light trucks for the best combination in truck - trailer turning clearance.



Rule of thumb: The distance from the back of the truck cab to the center of the rear truck axle ("X"), should be approximately 4 inches greater than one-half the trailer width ("Y")

5. If a short bed pickup (less than 8 ft. but longer than 6 ft.) is to be used for towing, Demco recommends the trailer be equipped with an extended pin box to help gain additional truck - trailer turning clearance (See trailer manufacturer for options). It also may be helpful to add a Demco 5th wheel Ultra Slide for increased turning clearance for low speed, non- highway maneuvering.
6. The height of the hitch and the pin box should be adjusted so the trailer is approximately level as it is towed. Allow approximately 6 inches clearance between the top of the pickup walls and the underside of the front of the trailer for pitch and roll of the trailer. Allow more clearance between pickup walls and trailer for off road use.



5th Wheel Double Pivot Head Assembly

The dampener stops the hitch head from flopping back and forth in the truck when the trailer is not hooked up. The urethane compresses under load so it does not restrict the fore and aft movement when coupled.

Before attaching the hitch head to the saddle assembly the urethane dampener will need to be installed. It is included in the bag with the bolt and nut for the hitch handle. Simply press into hole that is punched into the bottom side of the hitch as shown in **Figure A**.

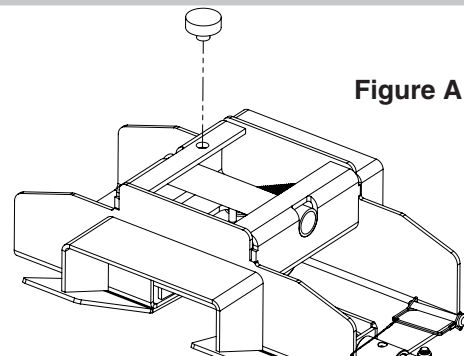
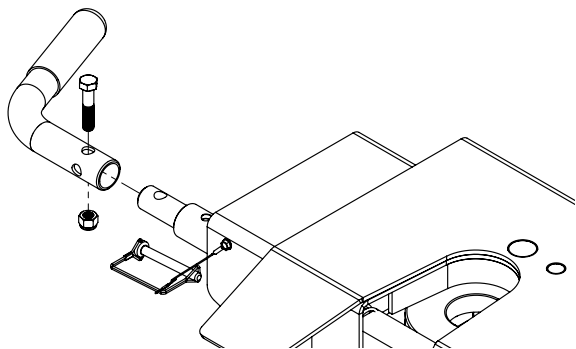


Figure A



Note (Read carefully before installing): Handle can be positioned toward the front or the back if it is found to interfere with the trailer in any way. Verify this before traveling.

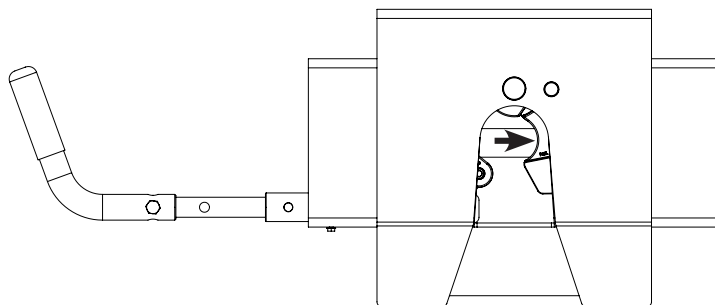
1. Slide yellow gripped handle over locking bar, the handle may point forward, upward or backward. ****DO NOT** have pointing upward if it is found to interfere with the trailer in any way during turning.
2. Fasten with 3/8" x 1 3/4" bolt and lock nut provided.

WARNING

DO NOT install hitch handle in a position that the pin box could come in contact with or interfere with the latch of the hitch handle when turning! If the pin box contacts the hitch handle or its latch when turning, the trailer may become unhitched.

Procedures to Close Locking Bar

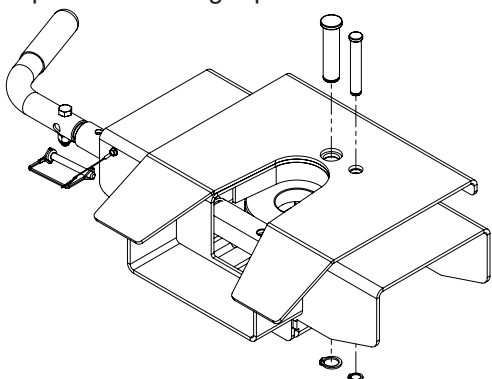
Pull on handle with slight pressure while moving the secondary jaw to the right until the primary jaw is released. Slowly allow the handle to retract into the 5th wheel head. Caution: Do not put hands/fingers into the lock jaw area.



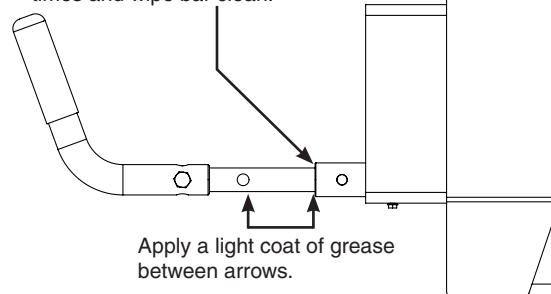
5th wheel Pivot Head Maintenance

Each of our 5th wheel fifth wheel hitches has been tested and pre-greased at our production facility to help ensure easy operation of your new product.

As it is a new piece of equipment with some moving parts, a period of wearing in may be necessary to facilitate smoother operation for your new fifth wheel hitch. The most important thing to remember is to keep all moving parts well greased and lubricated. Your doing this will help to ensure longer product life.



Squirt WD40 or other oil into locking bar tube, open and close locking bar several times and wipe bar clean.

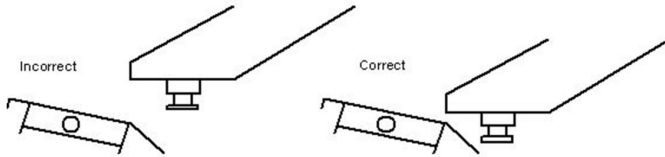


Apply a light coat of grease between arrows.

Jaw pins can be removed and greased by removing or unhooking jaw spring and both snap rings. Tap the pin up from bottom. Clean pins and inspect for wear, apply light coat of grease and reinstall pins, snap rings and spring.

Coupling Procedure

1. Place wheel chock on each side of trailer wheels.
2. Adjust trailer jacks until trailer is a height for hook up. King pin plate should contact hitch approximately 1/2" below level.



3. Lower tailgate of truck.
4. If hitch is in locked position, remove safety pin and pull handle out to the "Ready to Couple" position.
5. Line truck so that the hitch will accept king pin. Back truck up slowly towards trailer until king pin engages. Hitch will lock when king pin is fully engaged.
6. With the trailer coupled, visually check to see if hitch is completely locked by looking at the handle position, as well as visually checking to ensure that the jaw bar has traveled completely across the front of the king pin.
7. Place safety pin thru the tab and the hole in the handle. This will prevent handle from opening.
8. Connect power cable and breakaway switch cable between truck and trailer.
9. Close and latch tailgate.
10. Apply trailer brakes and try to pull forward slowly to double check that hitch is locked. Trailer should prevent truck from moving.
11. Completely raise trailer jacks. Check for proper clearance between truck box and trailer.
12. Pick up and store wheel chocks. You are now ready to travel.

Uncoupling Procedure

1. Place wheel chocks on both sides of trailer wheels.
2. Lower trailer jacks to ground and extend until load is level with truck suspension. If on soft ground, place support under jack feet to prevent trailer from settling.
3. Lower tailgate on truck.
4. Disconnect power cable and break away switch.
5. Remove lock pin and pull handle out. If handle will not stay out, install safety pin in second handle hole just outside of frame handle bushing.
6. Drive truck slowly away from trailer.

Very Important Maintenance Instructions

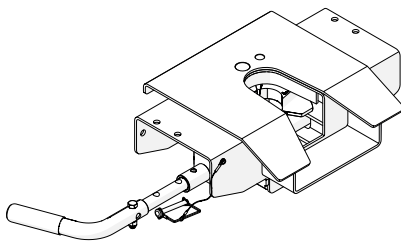
1. Inspect all fasteners for tightness at least every 2,000 miles of operation.
2. Inspect jaw and jaw bar for freedom of movement and proper operation before each use. Replace all damaged or worn parts.
3. Keep all moving parts of hitch well lubricated.
4. It is recommended to use grease or a 3/16" maximum Teflon disc to help prevent wear on top plate surface.

Very Important Warnings

1. Know your vehicle and trailer GVWR and CVWR. DO NOT exceed capacity of hitch.
2. Hitch is for use with only a standard 2" king pin.

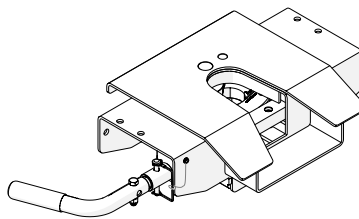
Safety pin MUST be fastened securely before moving vehicle and/or traveling

Ready to Couple



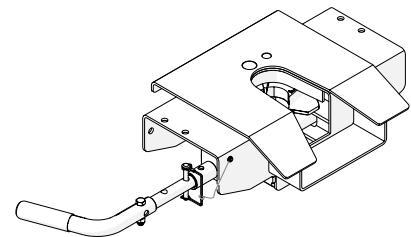
Remove safety lock pin if installed and pull handle until jaw locks open.

Coupled and Locked



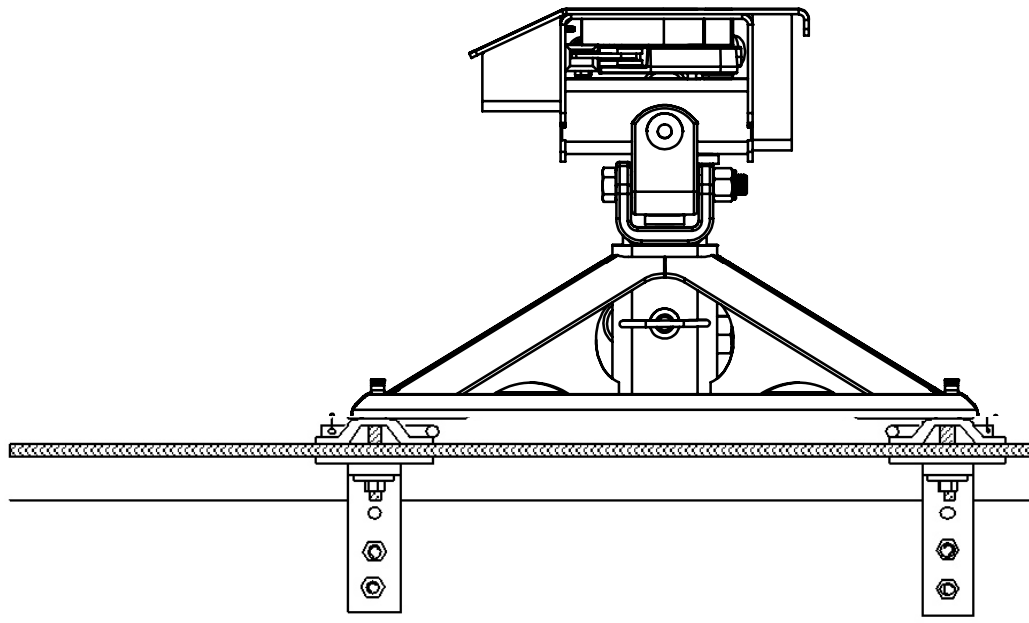
With handle in "Ready to Couple" position, back-up tow vehicle to couple trailer and hitch. Insert safety pin thru tab and hole in handle. NOTE: Ensure safety lock pin is inserted properly. Apply trailer brakes before jacks are raised and wheel chocks are removed.

Uncoupled

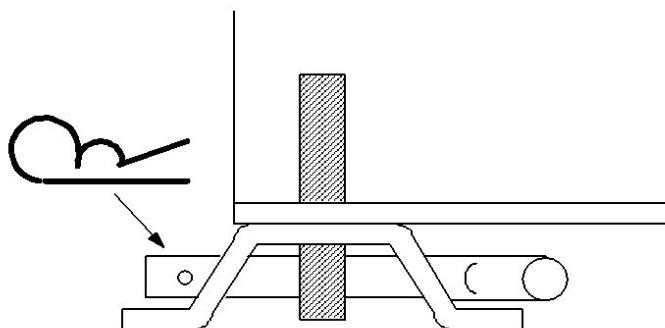


To uncouple, remove safety pin, pull handle straight out until the jaw locks open. If jaw will not stay open, install safety pin in second handle hole just outside of frame handle bushing.

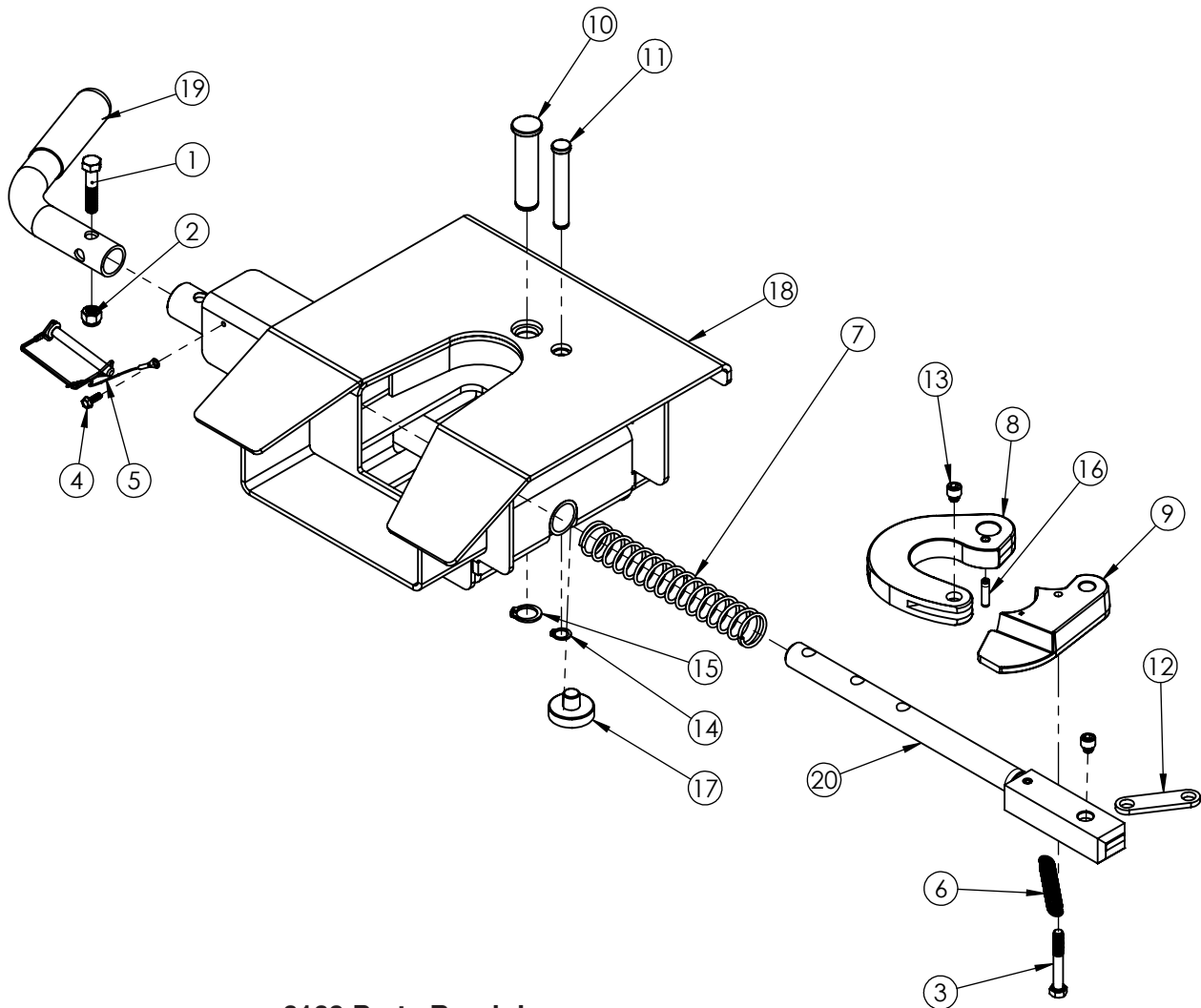
VISUALLY INSPECT JAW LOCKING MECHANISM BEFORE TRAVELING



Install bedrail pull pins from under the side rail so that the hitch pin secures in the open.



1. The correct height for the hitch is such that there is approximately 6" of clearance between the top of the truck box and the bottom of the trailer overhang. The Demco Recon hitch has 2-1/2" of adjustment up or down in 1-1/4" increments.
2. Once the proper height has been determined, slide the center post to the right position and pin with cross pin and tighten setscrew and jam nut of base. It is best to use a 3/4" twelve point socket to tighten the set screw to 85 ft/lbs and a 15/16" deep well socket for the jam nut.
3. Place hitch on bed rails and pin the hitch in place with supplied red rail pins and hair pins.

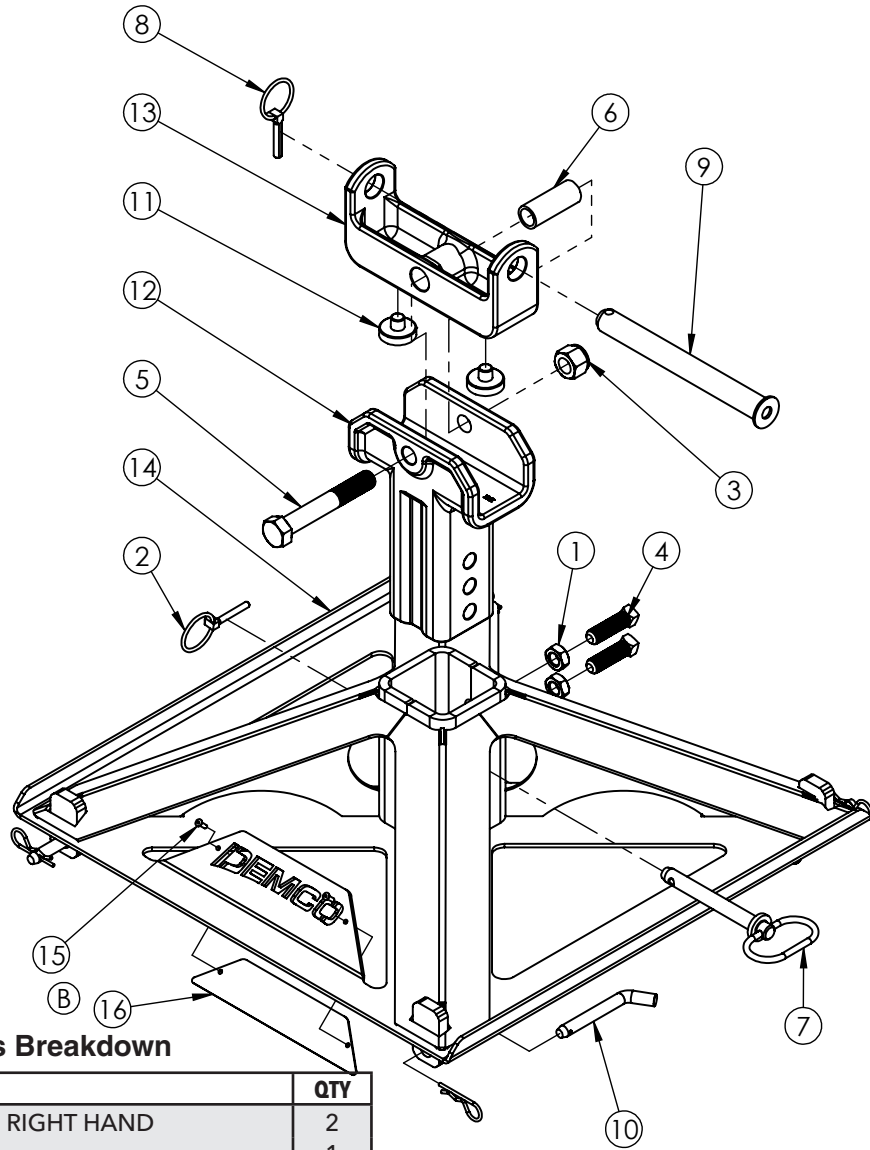


6169 Parts Breakdown

ITEM	PART #	DESCRIPTION	QTY
1	00908	BOLT, .375 NC X 1.75 HEX GR.5	1
2	02592	NUT, .375NC NYLON LOCK	1
3	03547	BOLT .313NC X 2.25 GR5 HEX	1
4	03787	SCREW #10NC X .50 SELF DRILLING HEX HD	1
5	05337	SAFTY LOCK PIN ASSEMBLY	1
6	14315	SPRING, TENSION, .063 WIRE X .50 OD X 2.75	1
7	14385	SPRING COMPRESS .105 MW	1
8	14594-95	JAW HOOK	1
9	14595-95	SECONDARY LATCH JAW	1
10	14735-95	MAIN JAW PIN	1
11	14736-95	SECONDARY JAW PIN	1
12	14737-95	BAR/JAW LINK	1
13	14747	SCREW .313NC X .25 SOCKET HD CAP	2
14	14749	SNAP RING EXT FOR .50 SHAFT	1
15	14750	SNAP RING EXT F/ .75SHAFT	1
16	14865	ROLL PIN, .25 X 1.00	1
17	15769	URETHANE PIVOT BUMPER 3/8" THICK	1
18	15801-72	5th WHEEL DOUBLE PIVOT HEAD	1
19	15934	HANDLE ASSEMBLY	1
20	6094	LOCKING BAR ASSEMBLY	1

Please order replacement parts by PART NO. and DESCRIPTION

6180 Recon Base Parts Breakdown



6180 Base Parts Breakdown

ITEM	PART #	DESCRIPTION	QTY
1	00489	NUT .625NC JAM RIGHT HAND	2
2	02397	LYNCH PIN	1
3	02961	.75NC NYLON INSERT LOCK NUT	1
4	09946	SET SCREW .625NC X 2.00 SQ HD	2
5	11099	BOLT, .75 NC X 5.00 HEX HEAD GR. 8	1
6	11337-95	HINGE BUSHING	1
7	11593	HITCH PIN, .625 W/ HAIR PIN	1
8	14221	LYNCH PIN, .313	1
9	14222-95	AS PIVOT PIN 1" X 9.38	1
10	14226	PIN, .50 X 3" WL W/HAIR PIN	4
-	00182	HAIR PIN .120 WIRE X 2.375 (REPLACEMENT)	-
11	15769	URETHANE PIVOT BUMPER 3/8" THICK	2
12	15773	UPRIGHT CASTING	1
13	15778	5th WHEEL HEAD YOKE	1
14	15802	A-FRAME BASE	1
15	16106	.156 RIVET BLACK	2
16	18148	DEMCO LOGO BSCK PLATE	1

Please order replacement parts by PART NO. and DESCRIPTION

DEMCO

4010 320th St., Boyden, IA, 51234

Phone: (712) 725-2311

Fax: (712) 725-2380

Toll Free: 1-800-54DEMCO (1-800-543-3626)

Demco warranty policies, operator manuals, and product registration can be found online:

www.demco-products.com