



*Doing Our Best to Provide You the Best*

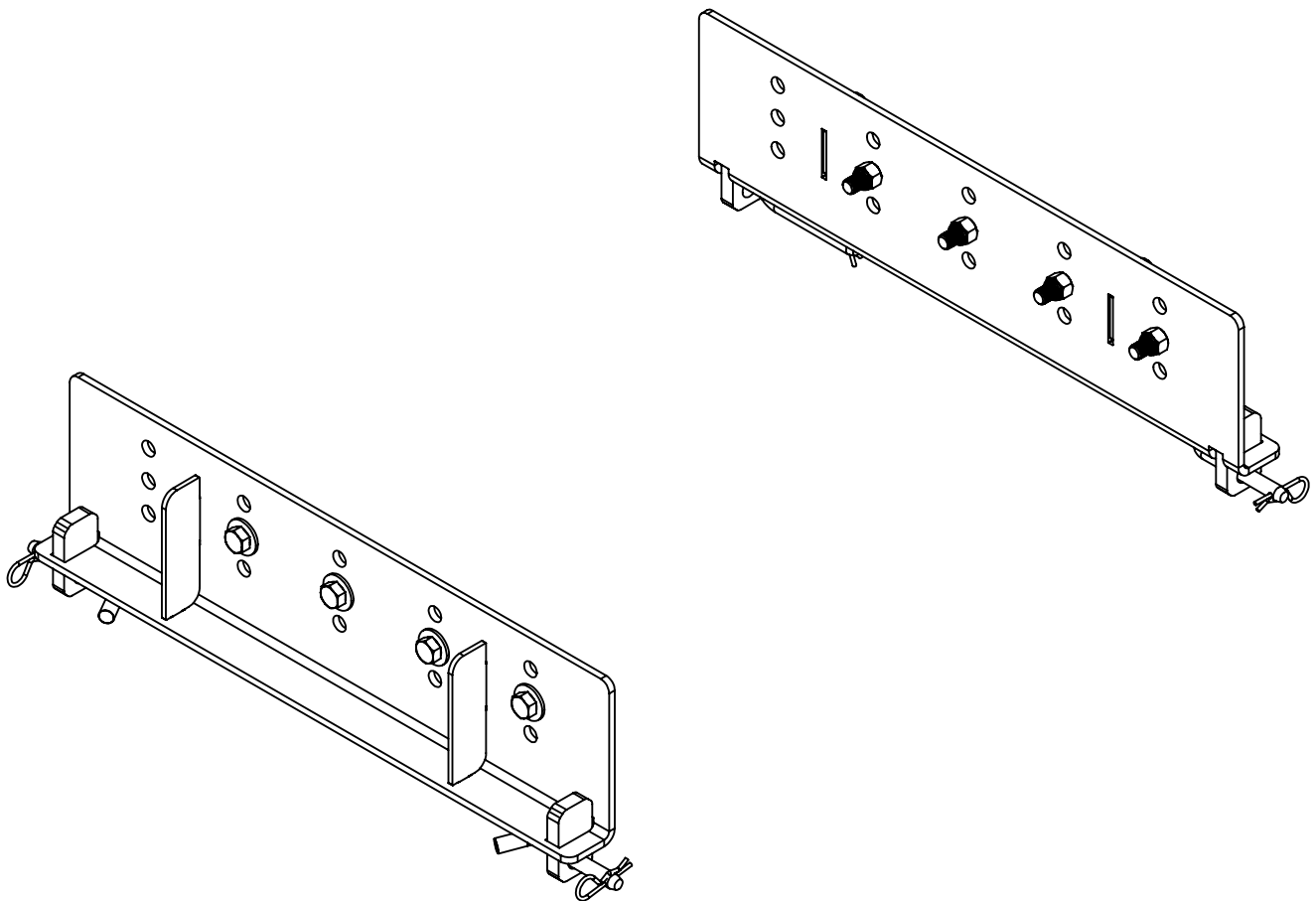
HJ26003, Rev 7  
02/20

---

## 5TH WHEEL SIDE RAIL ASSEMBLIES

### 6003 Autoslide UL

---



# INTRODUCTION

## WARRANTY POLICY, OPERATOR MANUALS & REGISTRATION

Go online to [www.demco-products.com](http://www.demco-products.com) to review Demco warranty policies, operator manuals and register your Demco product.



### TORQUE SPECIFICATION

Torque figures indicated are valid for non-greased or non-oiled threads and heads unless otherwise specified. Therefore, do not grease or oil bolts or capscrews unless otherwise specified in this manual. When using locking elements, increase torque values by 5%.

\* GRADE or CLASS value for bolts and capscrews are identified by their head markings.

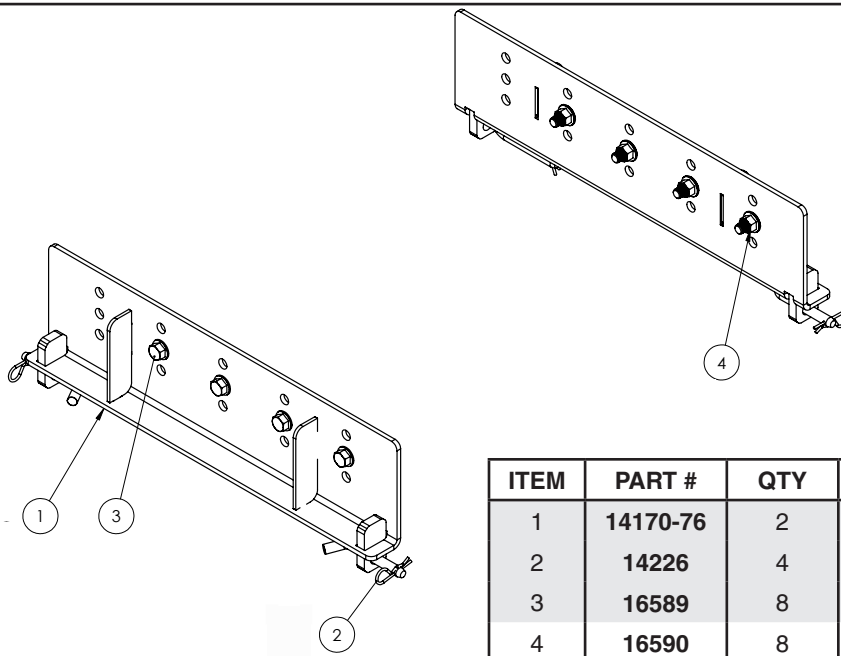
### BOLT TORQUE DATA FOR STANDARD NUTS, BOLTS, AND CAPSCREWS

Tighten all bolts to torques specified in chart unless otherwise noted. Check tightness of bolts periodically, using bolt chart as guide. Replace hardware with same grade bolt.

NOTE: Unless otherwise specified, high-strength Grade 5 hex bolts are used throughout assembly of equipment.

Bolt Torque for Standard bolts *						
"A"	GRADE 2		GRADE 5		GRADE 8	
	lb-ft	(N.m)	lb-ft	(N.m)	lb-ft	(N.m)
1/4"	6	(8)	9	(12)	12	(16)
5/16"	10	(13)	18	(25)	25	(35)
3/8"	20	(27)	30	(40)	45	(60)
7/16"	30	(40)	50	(70)	80	(110)
1/2"	45	(60)	75	(100)	115	(155)
9/16"	70	(95)	115	(155)	165	(220)
5/8"	95	(130)	150	(200)	225	(300)
3/4"	165	(225)	290	(390)	400	(540)
7/8"	170	(230)	420	(570)	650	(880)
1"	225	(300)	630	(850)	970	(1310)

Bolt Torque for Metric bolts *						
"A"	CLASS 8.8		CLASS 9.8		CLASS 10.9	
	lb-ft	(N.m)	lb-ft	(N.m)	lb-ft	(N.m)
6	9	(13)	10	(14)	13	(17)
7	15	(21)	18	(24)	21	(29)
8	23	(31)	25	(34)	31	(42)
10	45	(61)	50	(68)	61	(83)
12	78	(106)	88	(118)	106	(144)
14	125	(169)	140	(189)	170	(230)
16	194	(263)	216	(293)	263	(357)
18	268	(363)	--	--	364	(493)
20	378	(513)	--	--	515	(689)
22	516	(699)	--	--	702	(952)
24	654	(886)	--	--	890	(1206)



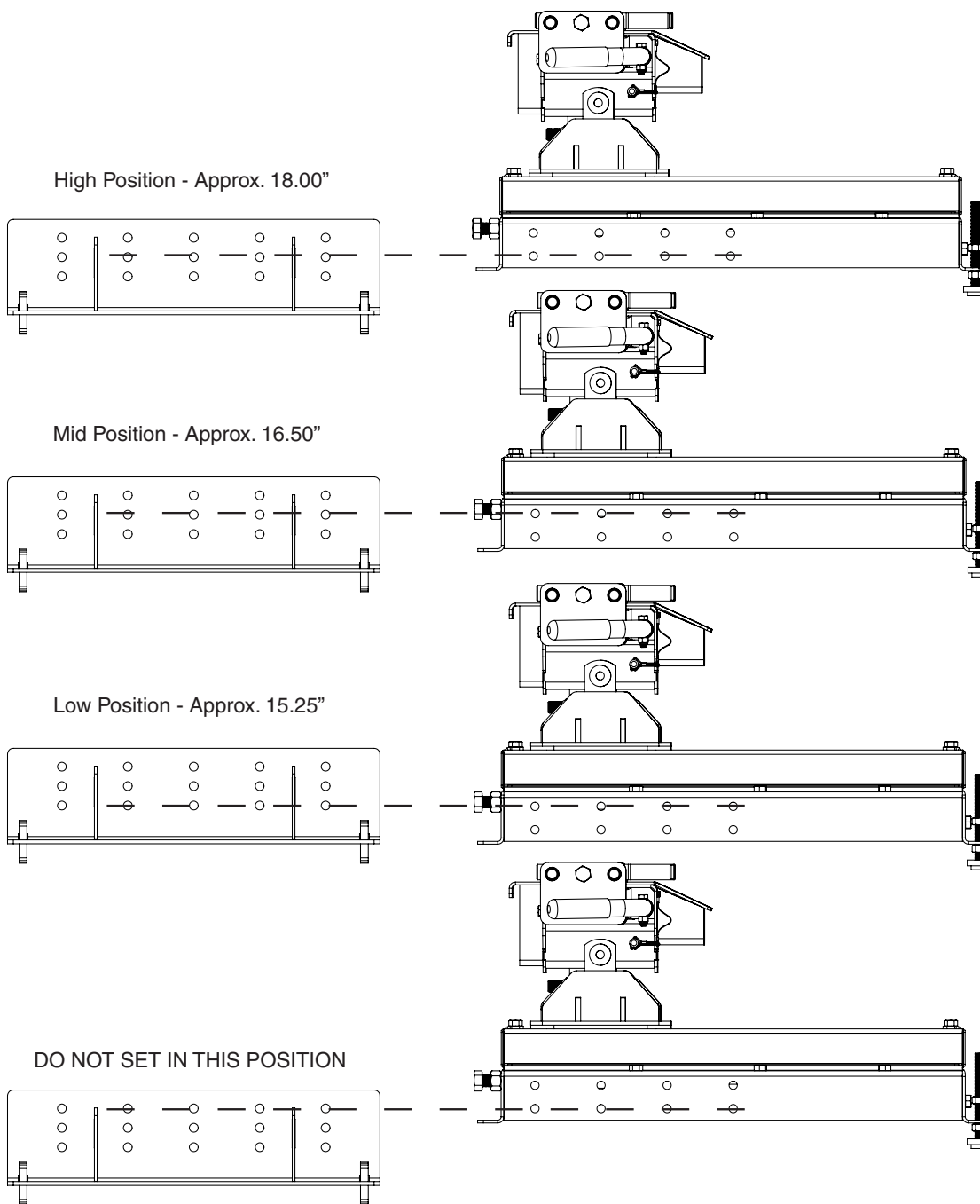
ITEM	PART #	QTY	DESCRIPTION
1	14170-76	2	UAS SIDE RAIL
2	14226	4	ATTACHING PIN W/HAIR PIN
3	16589	8	BOLT, .50NC X 1.50 GR5 HEX FLANGE
4	16590	8	NUT .50NC LOCK NYLON INSERT FLANGE

**Please order replacement parts by PART NO. and DESCRIPTION**

## General Assembly and Install Instructions

### Hitch Assembly:

1. Loosely bolt the main AutoSlide assembly to the side rails using the 1/2" x 1 1/2" bolts, flat washers, and lock nuts provided in the side rail bolt package at the predetermined height using the bolt pattern guide in drawings below. Hitch positions below are suggested height settings, you may use other hole settings to fine tune your height.  
**IMPORTANT: Never use the top mounting holes of side mounts with the bottom holes of the hitch.**
2. Tighten all the bolts.
3. Unlock locking pins and insert the hitch assembly into the base rails and test for fit.
4. Proceed to base rail install procedure as provided in the base rail installation kit.



**DEMCO**

4010 320th St., Boyden, IA. 51234

Phone: (712) 725-2311

Fax: (712) 725-2380

Toll Free: 1-800-54DEMCO (1-800-543-3626)

**Demco warranty policies, operator manuals, and product registration  
can be found online:**

**[www.demco-products.com](http://www.demco-products.com)**