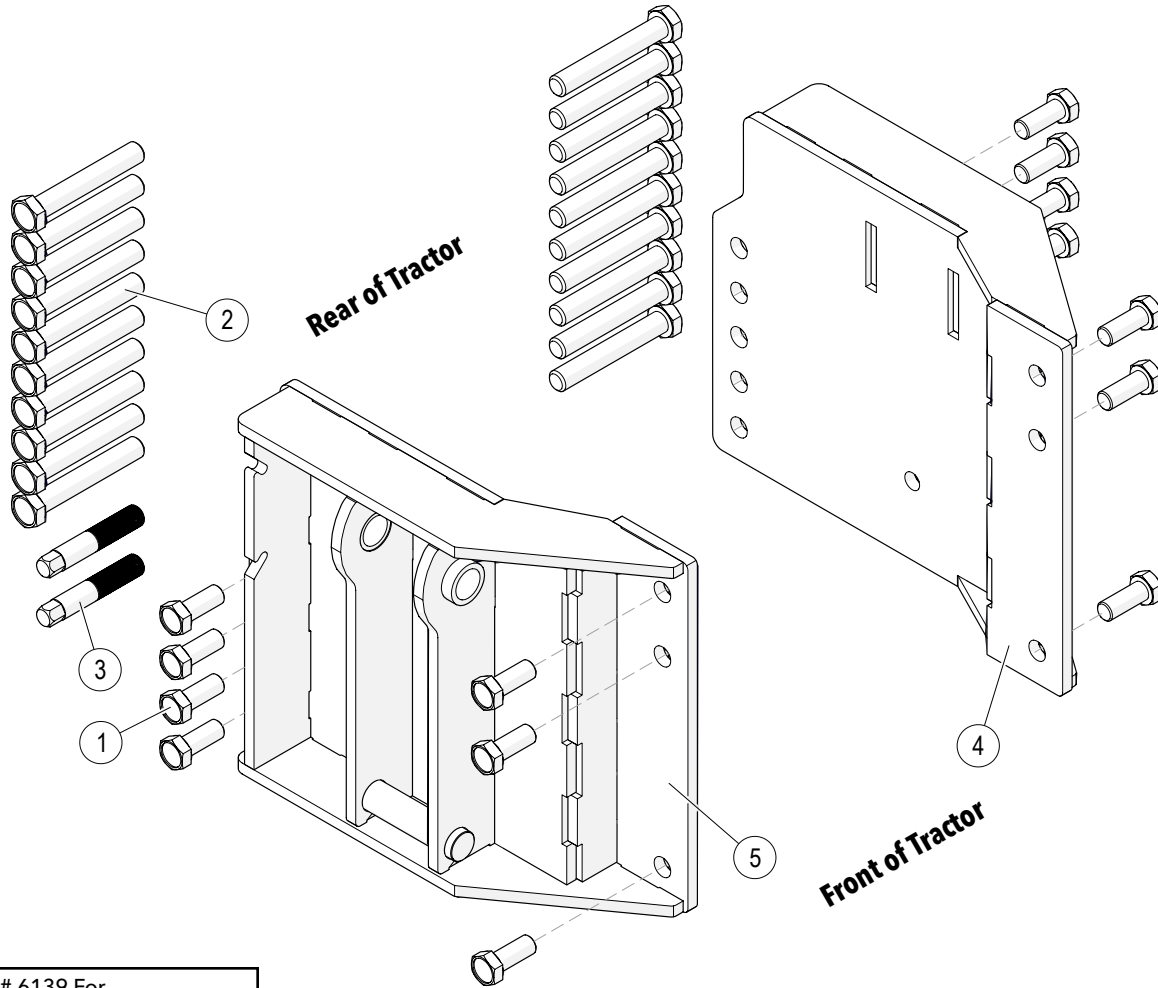


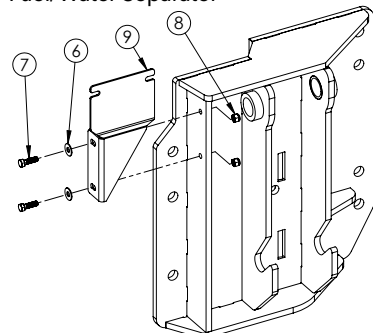
READ complete manual CAREFULLY BEFORE attempting operation.

BOLT TORQUE SPECIFICATIONS		
Size	Grade	Torque
20MM	10.9	450 ft/lbs.
22MM	10.9	450 ft/lbs.

Note: DEMCO's baseplate kits include wheel bolts for **heavy duty hubs**. For tractors with **standard hubs**, less than 2.31" thick, kit# 6072 is required.



Optional: Kit# 6139 For Fuel/Water Separator



Use 13/32" drill bit and use bracket as drill template. Drill two holes and secure using provided fasteners. Attach filter with existing hardware.

ITEM	PART #	DESCRIPTION	QTY.
1.	03840	Bolt, 20MM-2.50 x 50MM Gr10.9	14
2.	13586	Bolt, 22MM-2.50 x 140MM Gr10.9 (Heavy)	20
-	13222	Bolt, 22MM-2.50 x 120MM Gr10.9 (Std)	20
3.	13919-95	Starter Stud	2
4.	17100-76	Left Baseplate For Deere IVT/e23	1
5.	17101-76	Right Baseplate For Deere IVT/e23	1
6.	00059	Washer, Flat .375	2
7.	00523	Bolt, .375NC X 1.25 Hex Head Gr5	2
8.	02592	Nut, .375NC Nylon Lock	2
9.	15378-76	John Deere Fuel Filter Bracket	1

Please order replacement parts by PART NO. and DESCRIPTION.

Remove fender and any brackets or shields covering the mounting holes.

On some models it may be required to remove front window step.

