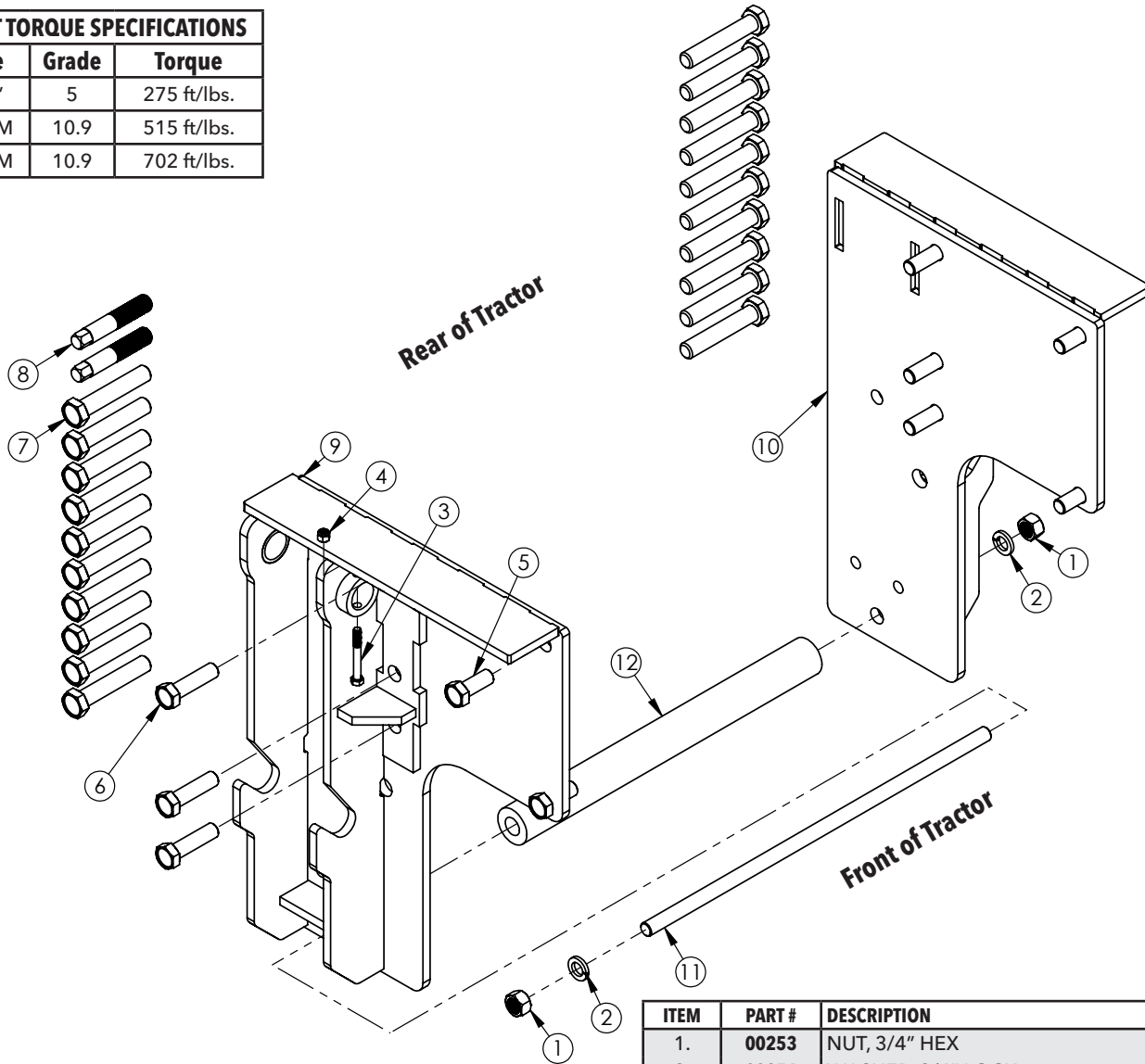


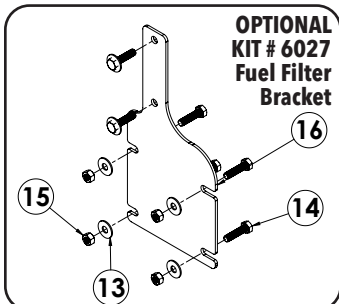
READ complete manual CAREFULLY BEFORE attempting operation.

BOLT TORQUE SPECIFICATIONS		
Size	Grade	Torque
3/4"	5	275 ft/lbs.
20MM	10.9	515 ft/lbs.
22MM	10.9	702 ft/lbs.



ITEM	PART #	DESCRIPTION	QTY.
1.	00253	NUT, 3/4" HEX	2
2.	00254	WASHER, 3/4" LOCK	2
3.	02207	BOLT, 3/8" X 3.00" GR5 HEX HEAD	2
4.	02592	NUT, 3/8" HEX NYLON LOCK	2
5.	03840	BOLT, 20MM-2.50 X 50MM GR10.9	4
6.	11745	BOLT, 20MM-2.50 X 75MM GR10.9	6
7.	13222	BOLT, 22MM-2.50 X 120MM GR10.9	20
8.	13919-95	STARTER STUD	2
9.	14159-72	RIGHT BASEPLATE F/ NH T8. SERIES	1
10.	14160-72	LEFT BASEPLATE F/ NH T8. SERIES	1
11.	16624-72	CROSS SHAFT, THREADED	1
12.	16625-72	UNDERBELLY TUBE, 20.78"	1
13.	00004	WASHER, 5/16" FLAT	4
14.	00685	BOLT, 5/16" X 1.25" GR5 HEX HEAD	4
15.	02802	NUT, 5/16" HEX NYLON LOCK	4
16.	14343-35	BRACKET, FUEL FILTER F/ NH T8.	1

Please order replacement parts by PART NO. and DESCRIPTION.



OPTIONAL  
KIT # 6027  
Fuel Filter  
Bracket