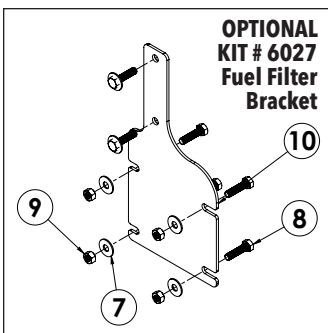
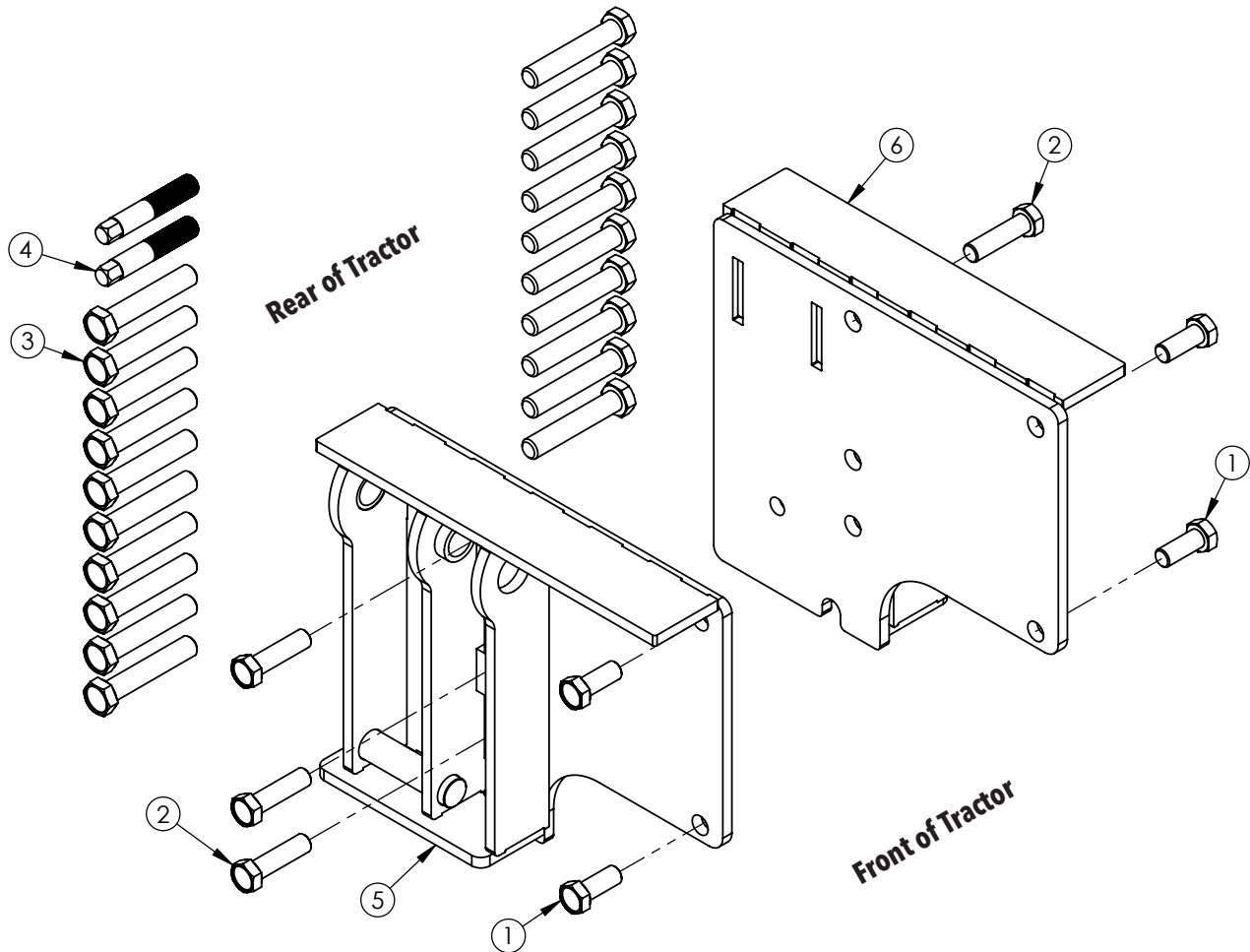


READ complete manual CAREFULLY BEFORE attempting operation.

BOLT TORQUE SPECIFICATIONS

Size	Grade	Torque
20MM	10.9	515 ft/lbs.
22MM	10.9	702 ft/lbs.



ITEM	PART #	DESCRIPTION	QTY.
1.	03840	BOLT, 20MM-2.50 X 50MM GR10.9	4
2.	11745	BOLT, 20MM-2.50 X 75MM GR10.9	6
3.	13222	BOLT, 22MM-2.50 X 120MM GR10.9	20
4.	13919-95	STARTER STUD	2
5.	14161-72	RIGHT BASEPLATE F/ NH T8. SERIES	1
6.	14165-72	LEFT BASEPLATE F/ NH T8. SERIES	1
7.	00004	WASHER, 5/16" FLAT	4
8.	00685	BOLT, 5/16" X 1.25" GR5 HEX HEAD	4
9.	02802	NUT, 5/16" HEX NYLON LOCK	4
10.	14343-35	BRACKET, FUEL FILTER F/ NH T8.	1

Please order replacement parts by PART NO. and DESCRIPTION.