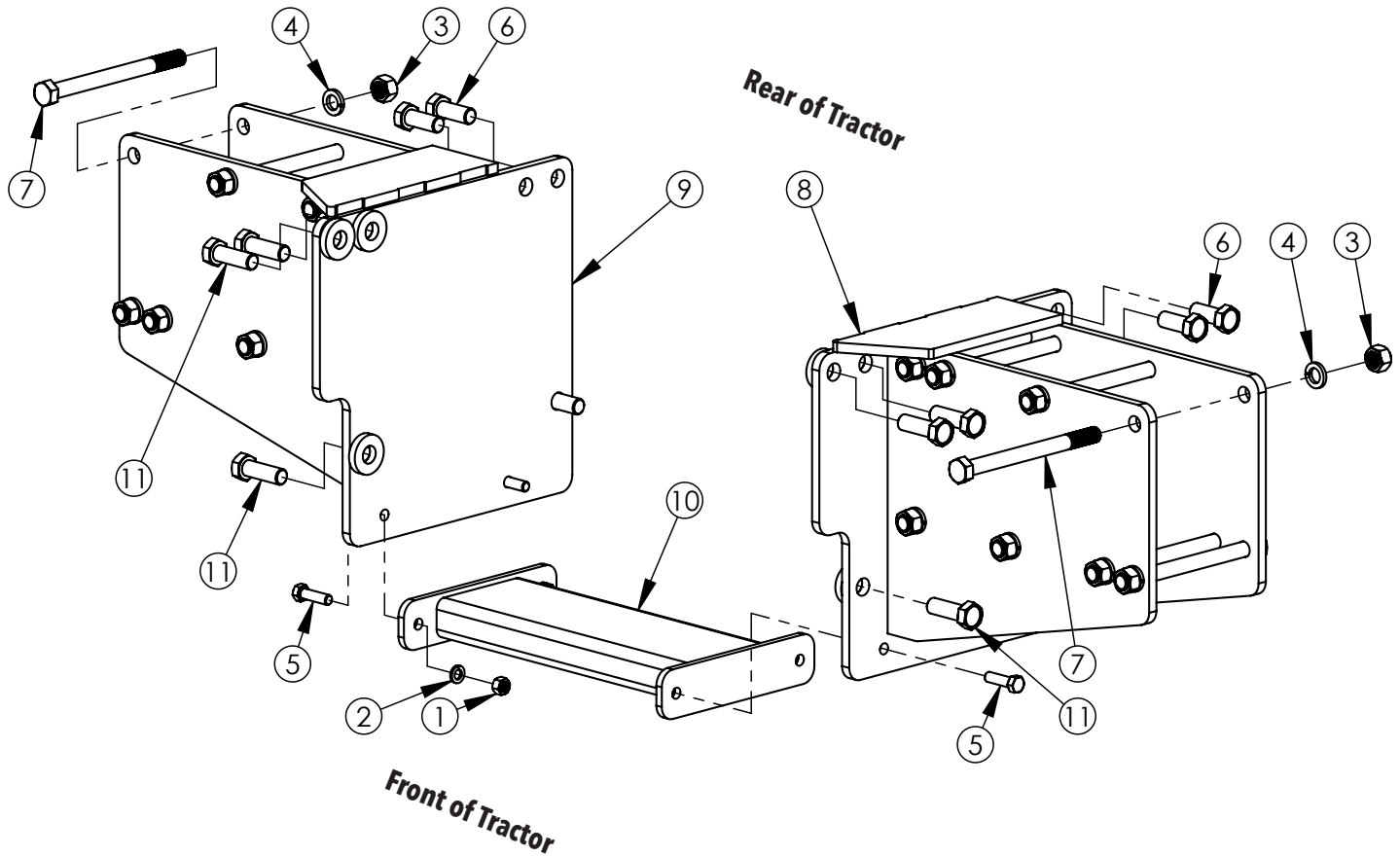


READ complete manual CAREFULLY BEFORE attempting operation.

BOLT TORQUE SPECIFICATIONS		
Size	Grade	Torque
1/2"	5	75 ft/lbs.
3/4"	5	290 ft/lbs.
20MM	10.9	515 ft/lbs.



ITEM	PART #	DESCRIPTION	QTY.
1.	00083	1/2" - 13UNC HEX NUT	4
2.	00084	1/2" LOCKWASHER	4
3.	00253	3/4" - 10UNC HEX NUT	16
4.	00254	3/4" LOCKWASHER	16
5.	00482	1/2" - 13UNC X 1 3/4" HEX HD BOLT (GR.5)	4
6.	03840	20MM-2.5 X 50MM HEX HEAD BOLT	10
7.	07681	3/4" - 10UNC X 9" HEX HEAD BOLT (GR.5)	16
8.	14101-72	MOUNTING BRACKET (LEFT SIDE)	1
9.	14102-72	MOUNTING BRACKET (RIGHT SIDE)	1
10.	14103-72	SPACER ASSEMBLY	1
11.	14416	20MM-2.5 X 60MM HEX HEAD BOLT	6

Please order replacement parts by PART NO. and DESCRIPTION.