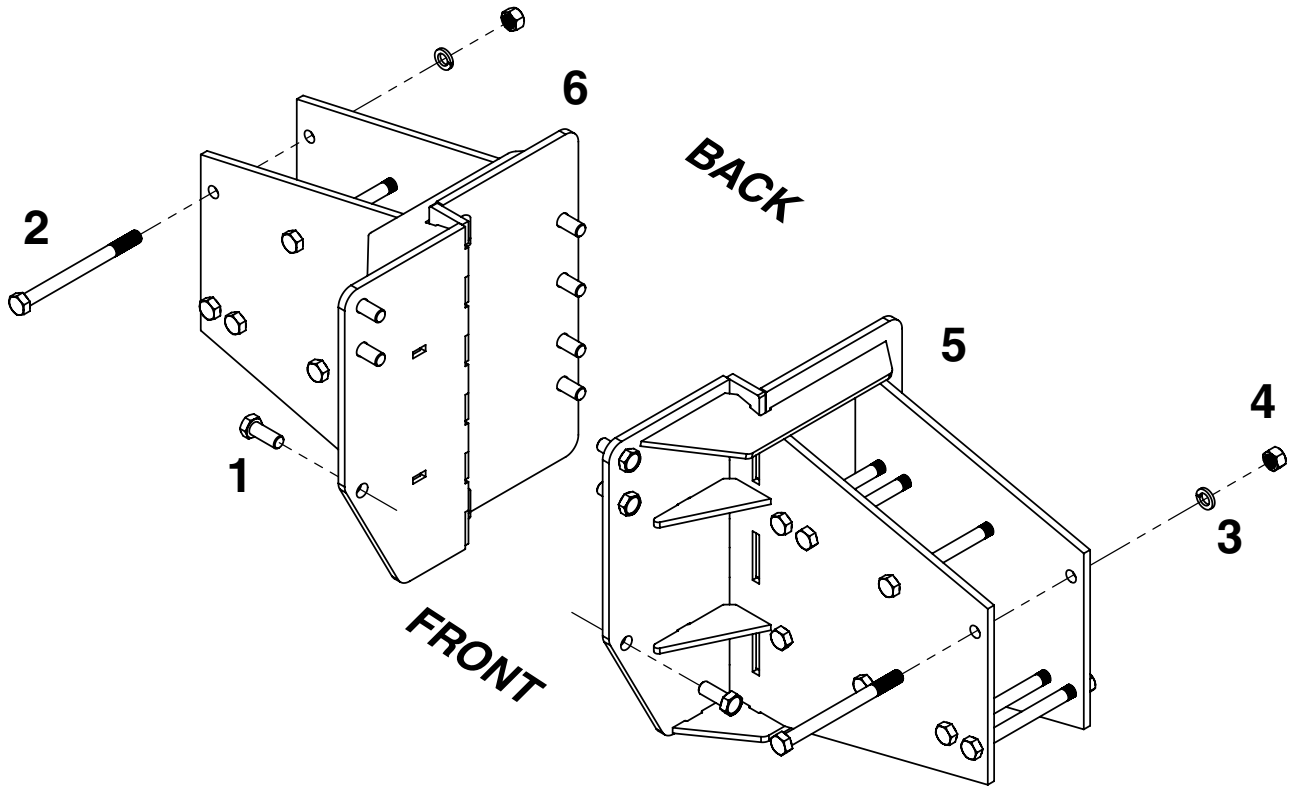


# Demco QUICK TACH INLINE MOUNTING BRACKETS

**JOHN DEERE IVT**  
8130, 8230, 8330, 8430, 8530,  
8225R, 8235R, 8245R, 8260R,  
8270R, 8285R, 8295R, 8310R,  
8320R, 8335R, 8345R, 8360R



**ASSEMBLY  
REPLACEMENT PARTS**

REF. PART NO.	NO.	QTY.	DESCRIPTION
1.	03840	14	20mm X 2.5mm Metric Bolt (Gr. 8.8)
2.	07681	16	3/4-10UNC x 9" Hex Head Bolt (Gr.5)
3.	00254	16	3/4 Lockwasher
4.	00253	16	3/4-10UNC Hex Nut
5.	12910	1	IVT JD Inline Mount (Left)
6.	12914	1	IVT JD Inline Mount (Right)

Please order replacement parts by **PART NO.** and **DESCRIPTION.**

BOLT TORQUE SPECIFICATIONS				
STANDARD BOLTS:			METRIC BOLTS:	
Size	Grade	Torque	Size	Torque
3/4"	5	290 ft/lbs.	20mm	515 ft/lbs.

**READ complete manual CAREFULLY  
BEFORE attempting operation.**