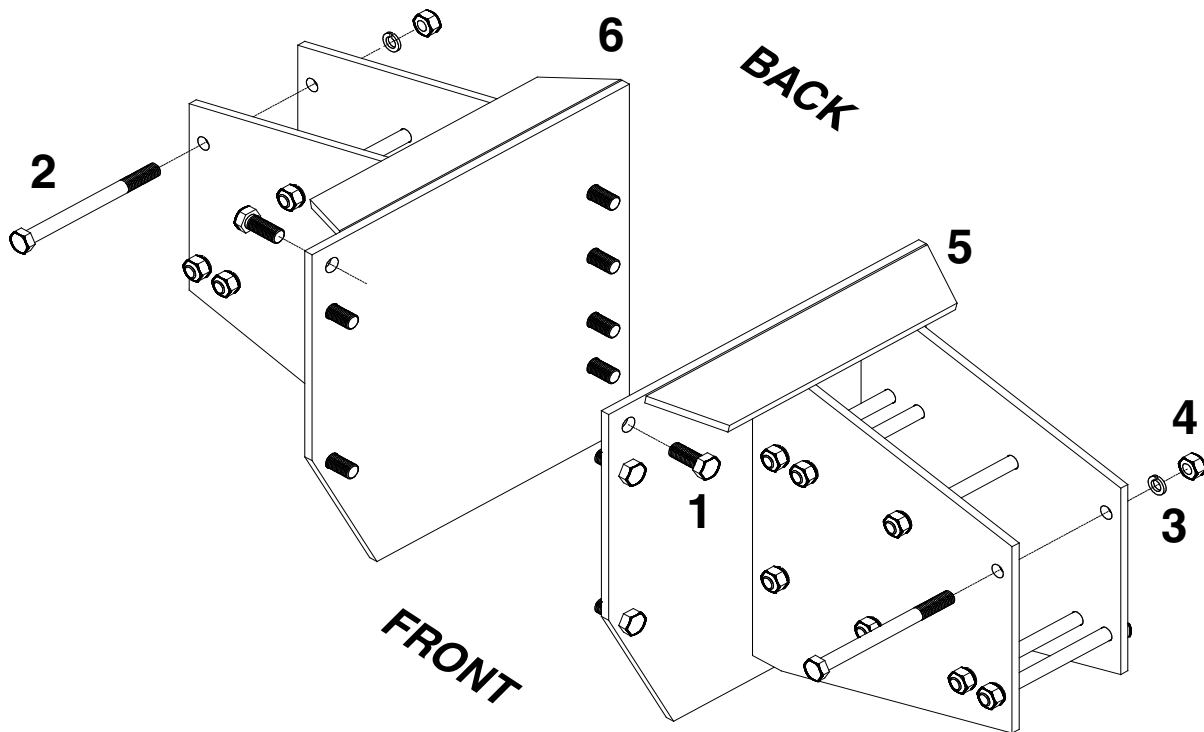


Demco QUICK TACH INLINE MOUNTING BRACKETS

JOHN DEERE
8100, 8200, 8300, 8400, 8110,
8210, 8310, 8410, 8120, 8220,
8320, 8420, 8520, 8130, 8230,
8330, 8430,
8225R, 8235R, 8245R, 8260R,
8270R, 8285R, 8295R, 8310R,
8320R, 8335R



**ASSEMBLY
REPLACEMENT PARTS**

REF. PART NO.	NO.	QTY.	DESCRIPTION
1.	03840	12	20mm X 2.5mm Metric Bolt (Gr. 8.8)
2.	07681	16	3/4-10UNC x 9" Hex Head Bolt (Gr.5)
3.	00254	16	3/4 Lockwasher
4.	00253	16	3/4-10UNC Hex Nut
5.	10039-35	1	Mounting Bracket (Left Side)
6.	10040-35	1	Mounting Bracket (Right Side)

Please order replacement parts by **PART NO.** and **DESCRIPTION.**

BOLT TORQUE SPECIFICATIONS				
STANDARD BOLTS:			METRIC BOLTS:	
Size	Grade	Torque	Size	Torque
3/4"	5	290 ft/lbs.	20mm	515 ft/lbs.

**READ complete manual CAREFULLY
BEFORE attempting operation.**