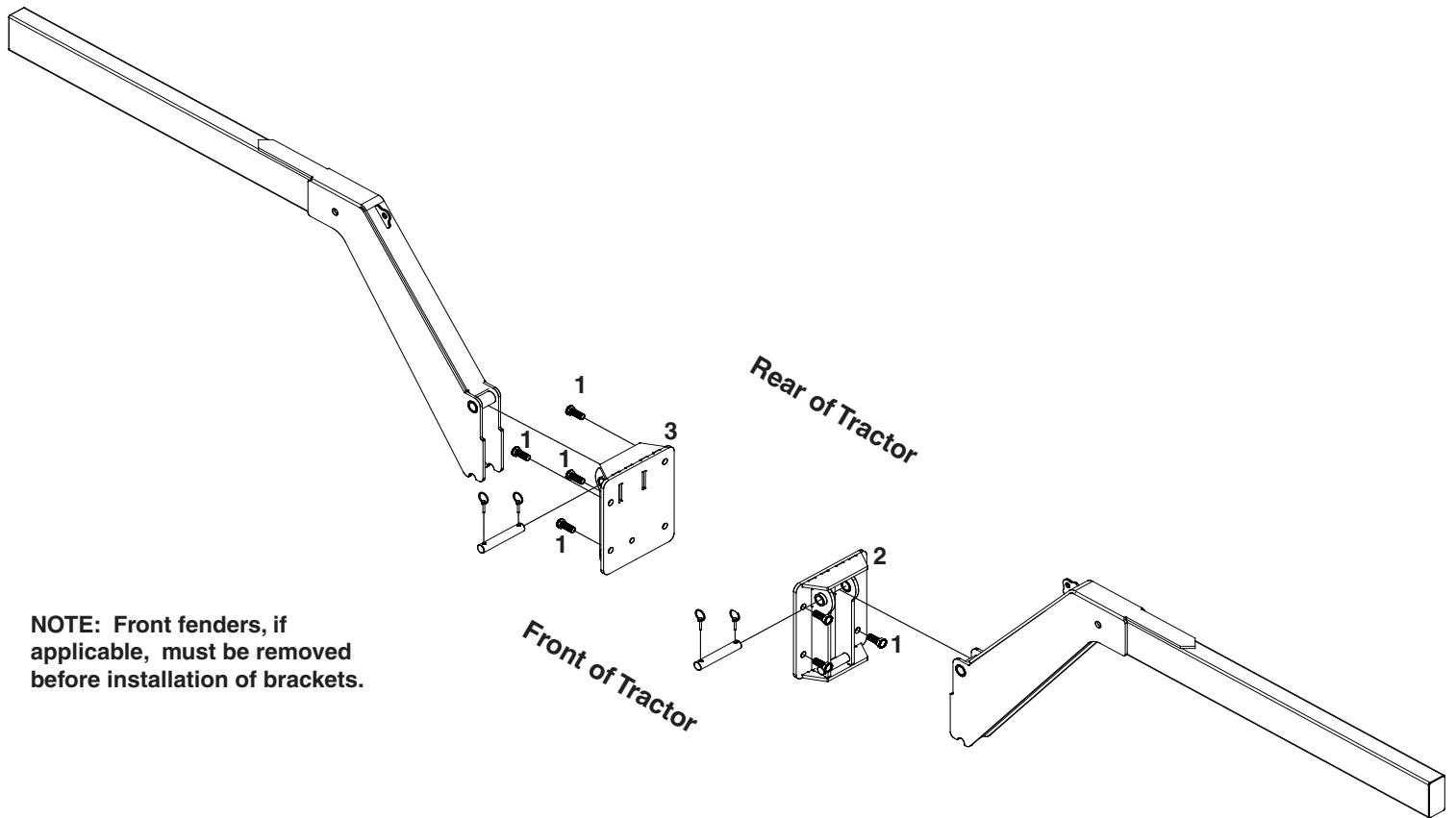




**New Holland**  
TG210, TG215, TG230,  
TG245, TG255, TG275,  
TG285, TG305  
T8010, T8020, T8030,  
T8040, T8050



NOTE: Front fenders, if applicable, must be removed before installation of brackets.

**BOLT TORQUE SPECIFICATIONS**  
**METRIC BOLTS:**  
Size Torque  
20mm 515 ft/lbs.

**ASSEMBLY REPLACEMENT PARTS**

REF. NO.	PART NO.	QTY.	DESCRIPTION
1.	03840	8	20mm x 2.5mm x 50mm Metric Bolt (Gr. 10.9)
2.	11647-72	1	Left Baseplate
3.	11648-72	1	Right Baseplate

**READ complete manual CAREFULLY BEFORE attempting operation.**

Please order replacement parts by **PART NO.** and **DESCRIPTION.**