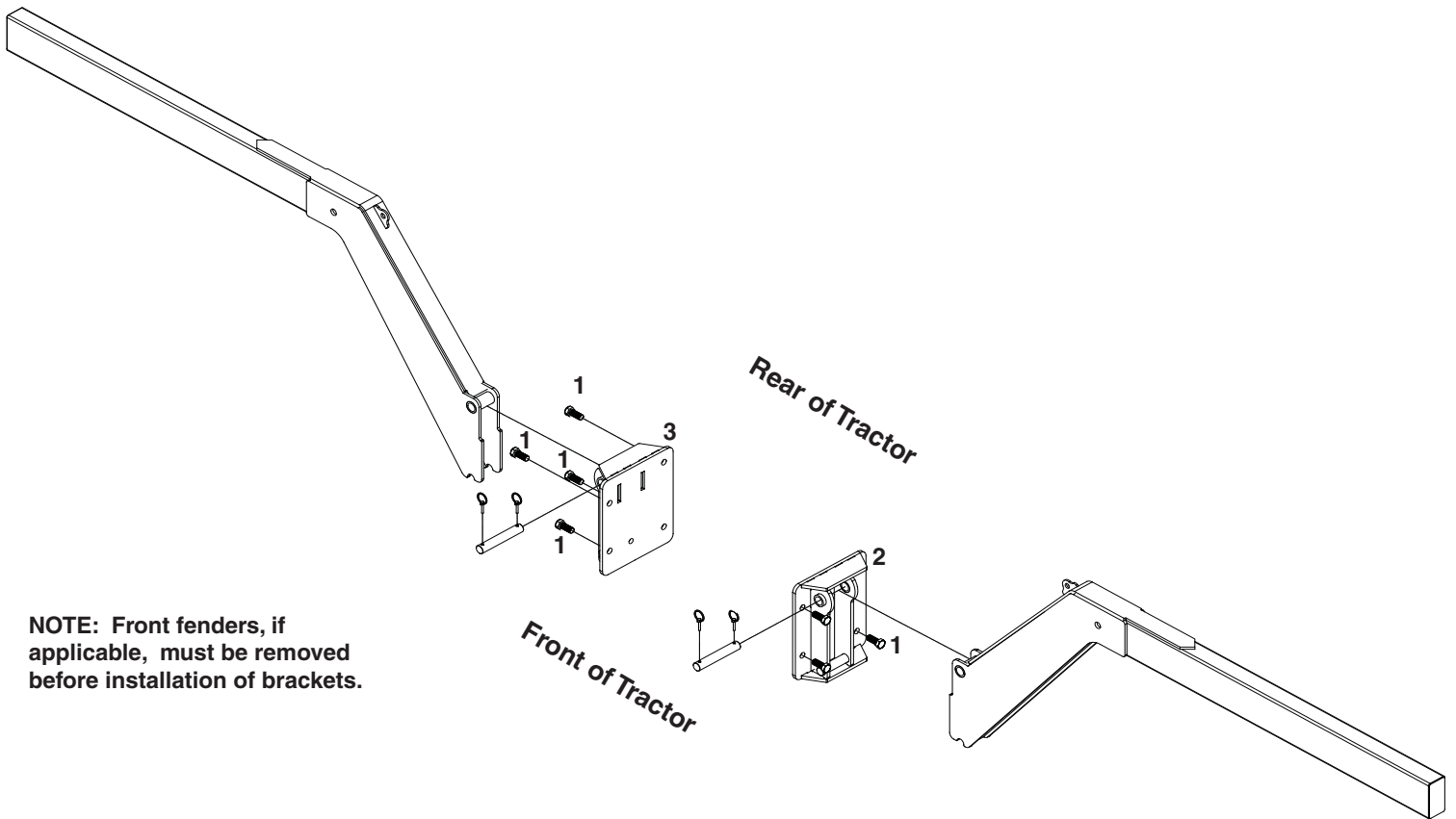




12-11
AC20066,rev1

New Holland
TG210, TG230, TG255,
TG285, T8010, T8020,
T8030, T8040, T8050



NOTE: Front fenders, if applicable, must be removed before installation of brackets.

BOLT TORQUE SPECIFICATIONS	
METRIC BOLTS:	
Size	Torque
20mm	515 ft/lbs.

ASSEMBLY REPLACEMENT PARTS

REF. NO.	PART NO.	QTY.	DESCRIPTION
1.	03840	8	20mm x 2.5mm x 50mm Metric Bolt (Gr. 10.9)
2.	11647-35	1	Left Baseplate
3.	11648-35	1	Right Baseplate

READ complete manual CAREFULLY BEFORE attempting operation.

Please order replacement parts by **PART NO.** and **DESCRIPTION.**