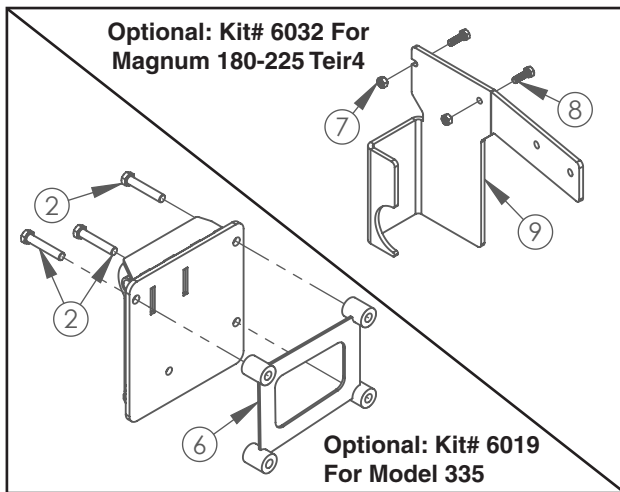
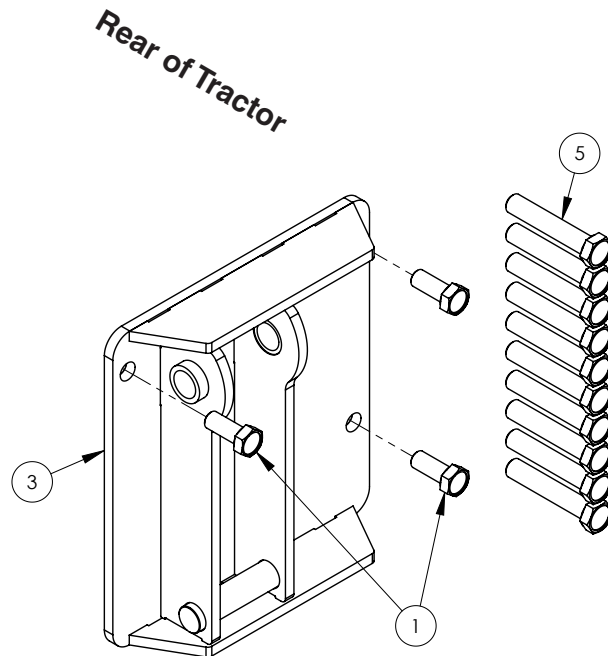
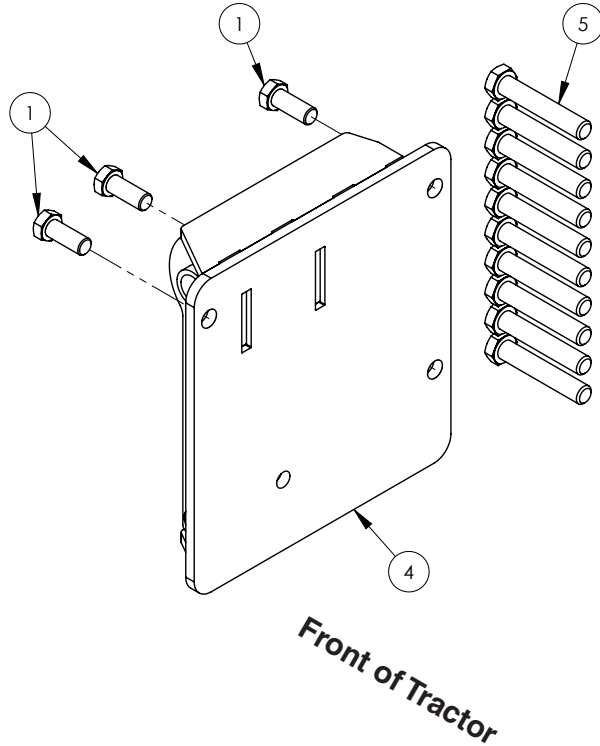


# SIDEQuest<sup>®</sup>

by Demco

03-12  
AC20065,rev2

**CASE IH**  
**MX MAGNUM**  
 180, 200, 210, 220, 230,  
 240, 255, 270, 285  
**MAGNUM Teir4**  
 180, 190, 210, 225,  
**MAGNUM**  
 245, 275, 305, 335



**ASSEMBLY  
REPLACEMENT PARTS**

REF. PART NO.	PART NO.	QTY.	DESCRIPTION
1.	03840	6	Bolt, 20mm x 2.5 x 50mm Hex (Gr. 10.9)
2.	09112	6	Bolt, 20mm x 2.5 x 110mm Hex (Gr. 10.9)
3.	11440-72	1	Left Mounting Baseplate
4.	11441-72	1	Right Mounting Baseplate
5.	13222	20	Bolt, 22mm x 2.5 x 120mm Hex (Gr. 10.9)
6.	13639-30	2	Spacer Bracket F/ Model 335
7.	02802	2	Nut, 5/16"-16NC Nylon Lock (Gr. 5)
8.	02990	2	Bolt, 5/16"-16NC x 1.00" Hex (Gr. 5)
9.	14417-72	1	Magnum Fuel Filter Step Bracket

Please order replacement parts by **PART NO.** and **DESCRIPTION.**

**BOLT TORQUE SPECIFICATIONS**

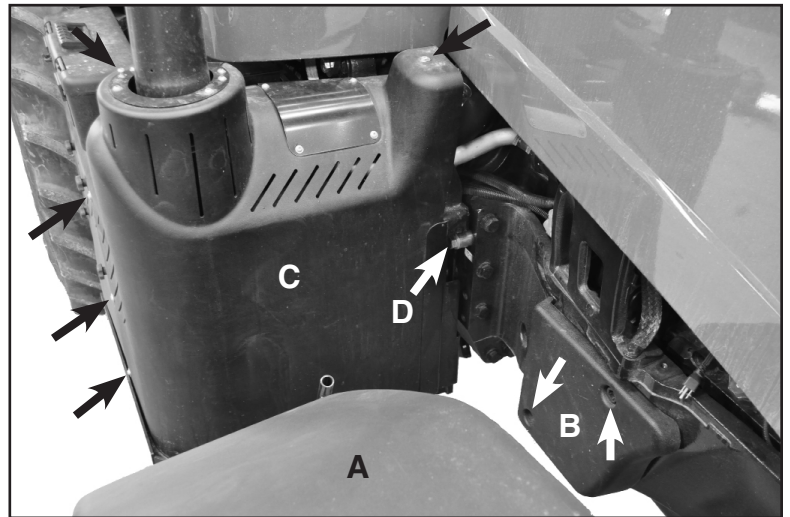
STANDARD BOLTS:			METRIC BOLTS:	
Size	Grade	Torque	Size	Torque
5/16"	5	18 ft/lbs.	20mm	515 ft/lbs.
			22mm	702 ft/lbs.

**READ complete manual CAREFULLY  
BEFORE attempting operation.**

CASE Magnum 180-225 Teir4  
Installation Breakdown

**Right Side - Figure 1**

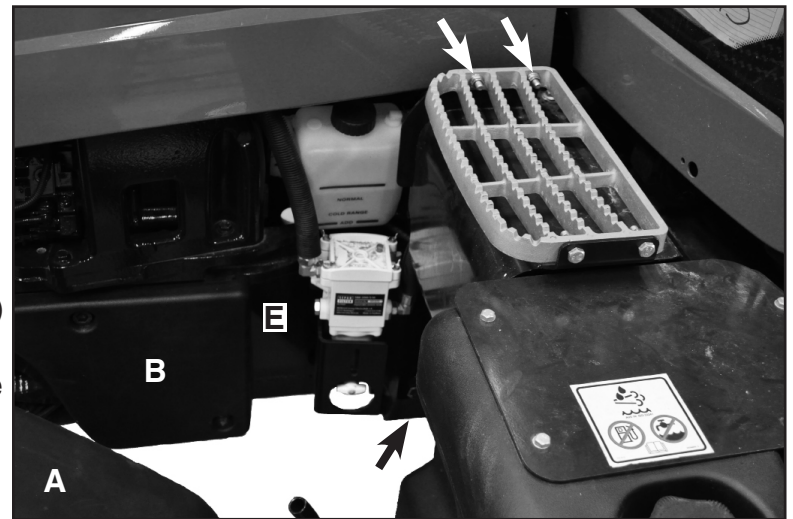
1. Remove Fender (A)
2. Remove Fender Bumper (B)
3. Remove Muffler Housing (C)  
(black arrows show bolt locations)
4. Remove Negative Terminal (D)
5. Mount Baseplate
6. Start all bolts but keep bolts loose



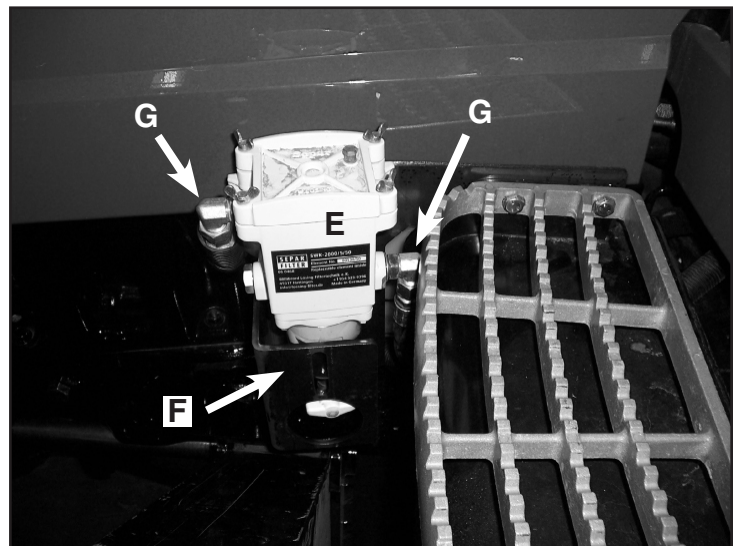
Right Side (Fig. 1)

**Left Side - Figure 2**

7. Remove Fender (A)
8. Remove Fender Bumper (B)
9. Relocate Fuel Filter, if equipped (E)
  - a. Remove Filter from Stock Filter Bracket
  - b. Attach DEMCO Filter Bracket (F) to Tractor step using existing step hardware (white arrows)
  - c. Attach Fuel Filter (E) to Filter Bracket (F) (Fig.3)
10. Mount Baseplate
11. Start all Baseplate bolts and proceed to torque all Baseplate bolts to specifications.



Left Side (Fig. 2)



**NOTE:** Be sure to loosen and rotate hose fittings (G) so hose do not kink.

**Relocated Fuel Filter (Fig. 3)**