



Doing Our Best to Provide You the Best

8CTT001, Rev. A
02/24

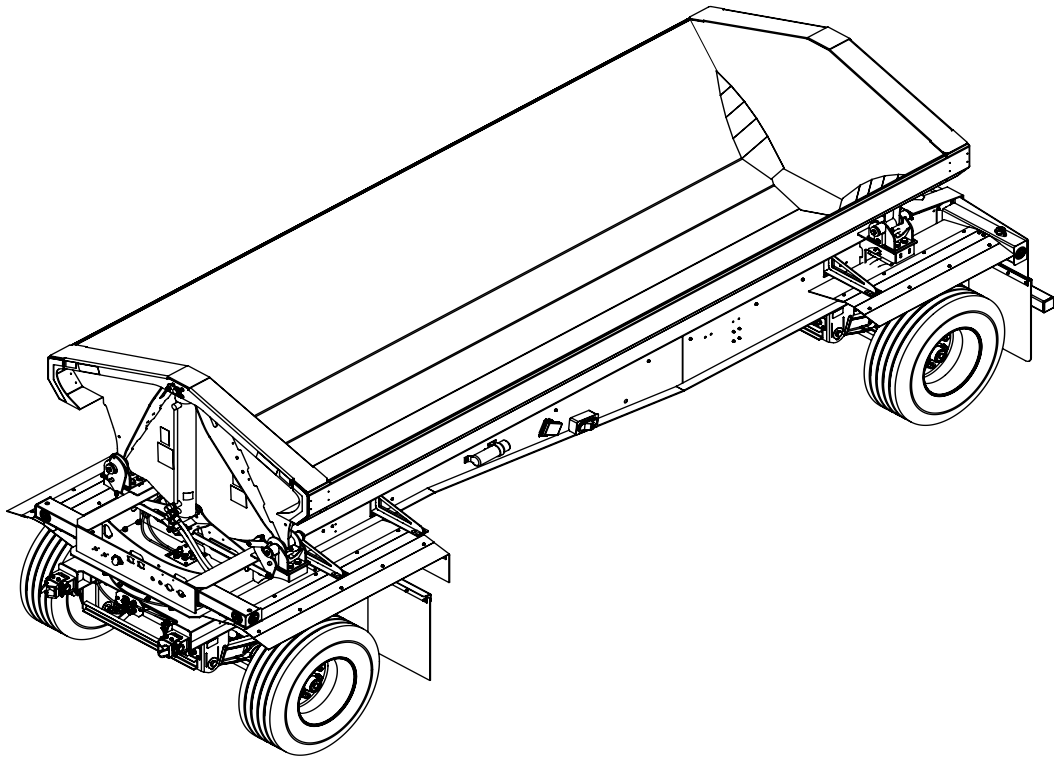
SIDE DUMP WITH TURNTABLES

9CCR101TT261AR

SINGLE-AXLE TURNTABLE, 26' CHASSIS, SINGLE-AXLE, AR, 20' TUB

9CCR101TT262AR

SINGLE-AXLE TURNTABLE, 26' CHASSIS, TANDEM-AXLE, AR, 20' TUB



PARTS MANUAL

TABLE OF CONTENTS

Overview.....	2
Side Dump Information.....	3
How To Order Parts.....	3
Replacement Parts.....	4
9-Pin Connectors.....	4
Air Supply Parts.....	6
Air Suspension and Suspension Torque.....	8
CBX23 Standard Suspension.....	9
Document Box and Manual Holder.....	10
Electrical System.....	11
Fender Parts -- Front.....	12
Fender Parts -- Rear.....	13
Full Function ABS System.....	16
Haldex ABX Service Guide.....	17
Hydraulic Systems.....	20
Hydraulic Cylinders And Bottom Cylinder Pins.....	21
Hydraulic Parts.....	22
Pivot Latch Components.....	24
Safety Decals/Reflectors.....	25
Tub Components.....	27
Turntable Dolly Air Ride.....	29
Turntable Dolly Air Line & Components.....	30
Wiring	32
Optional Parts.....	33
Center Mud Flap Options.....	33
Electric Over Hydraulic (EOH) Trailer Pro Kit.....	35
Electric Tarp Option -- Aero.....	41
Electric Tarp Option -- Roll-Rite.....	51
Rear Attachment Options.....	64
Rear Strobe Light Option.....	70

Side Dump Information

This parts manual is for the Demco Side Dump Turn Table Models:

- 9CCR101TT261AR SINGLE-AXLE TT, 26' CHASSIS, SINGLE-AXLE, AR, 20' TUB
- 9CCR101TT262AR SINGLE-AXLE TT, 26' CHASSIS, TANDEM-AXLE, AR, 20' TUB

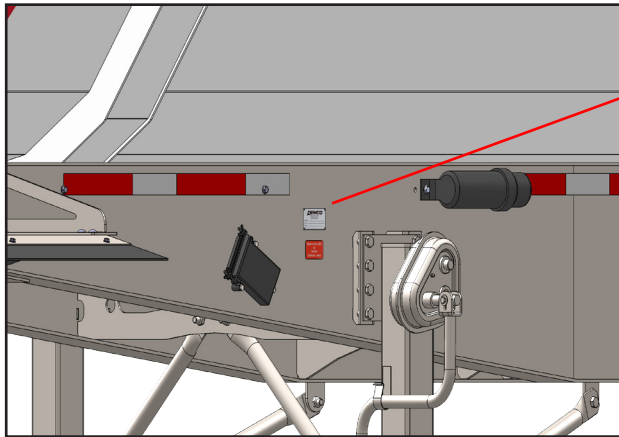
Record the following information for future reference in ordering replacement parts or additional options.

Serial Number _____

Date Purchased _____

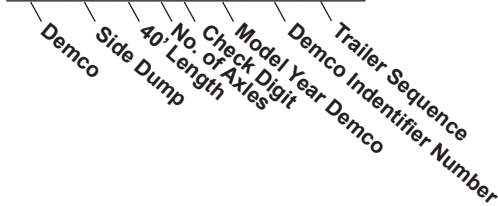
Dealer Information _____

Serial Number



Example: VIN Number Description

57CKS4029CT627045



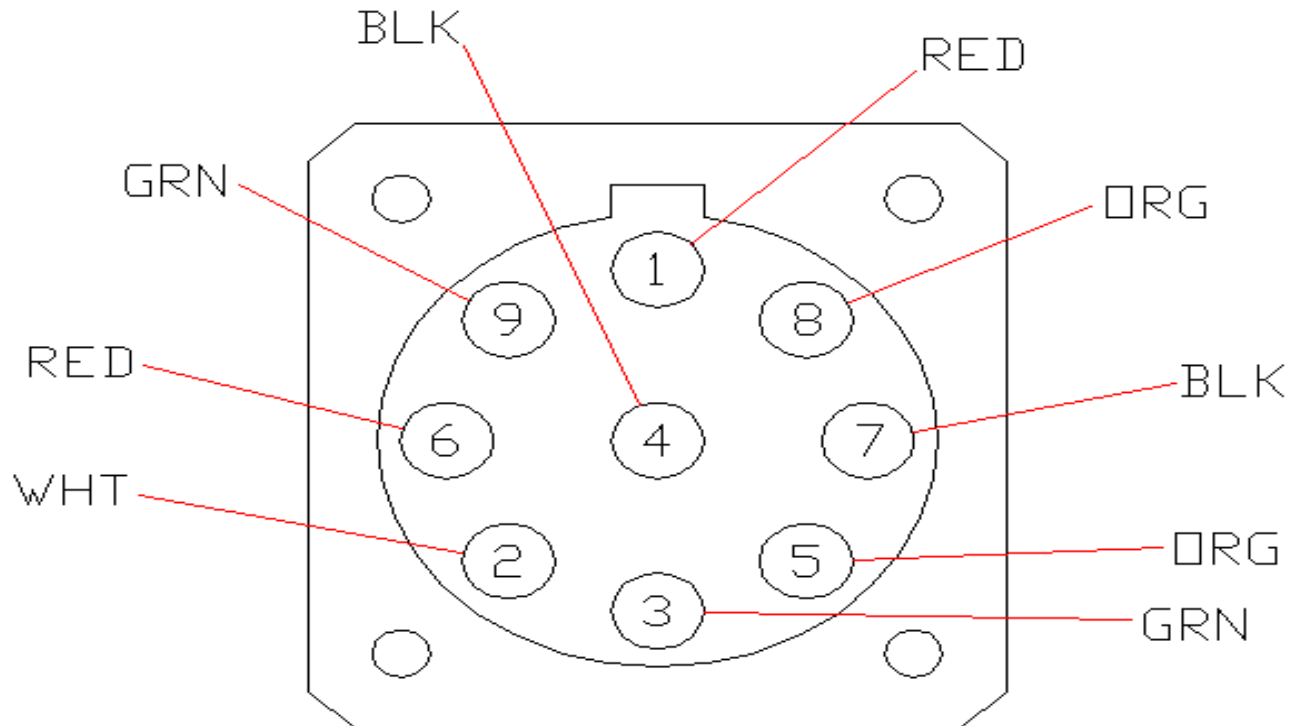
In addition to the VIN number Demco has placed a coded unit number on the chassis and the tub. Call Demco for location.

How To Order Parts

Use this manual to help determine the part number needed, then contact your dealer with the model number, serial number, and part information. They can order the part(s) directly from Demco.

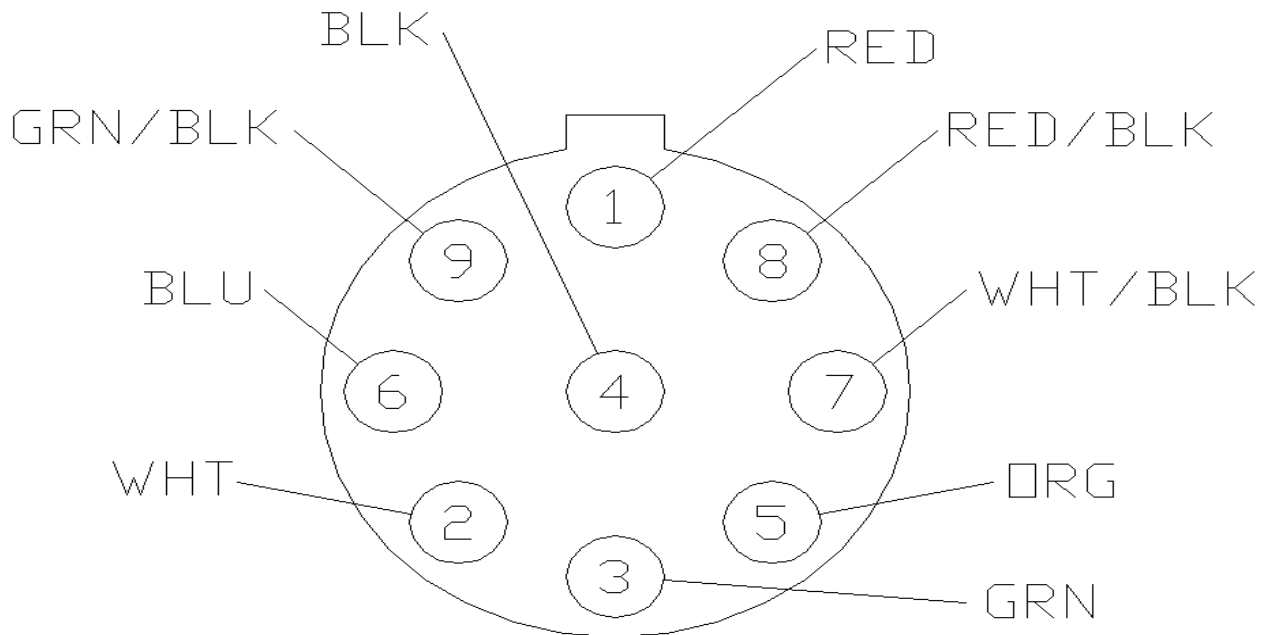
9-Pin Female Connector #1AEAP4546 Trailer Harness (View From Front)

<i>Position</i>	<i>Color</i>	<i>Functions</i>
1	RED	TUB DUMP
2	WHT	TUB - RETURN
3	GRN	LIFT AXLE DOWN
4	BLK	GROUND - CENTER PIN
5	ORG	TUB SWITCH POWER
6	RED	TARP - UNCOVER
7	BLK	TARP - COVER
8	ORG	+ POSITIVE (Tarp Over-Ride)
9	GRN	TARP LOCK OUT - SENSOR



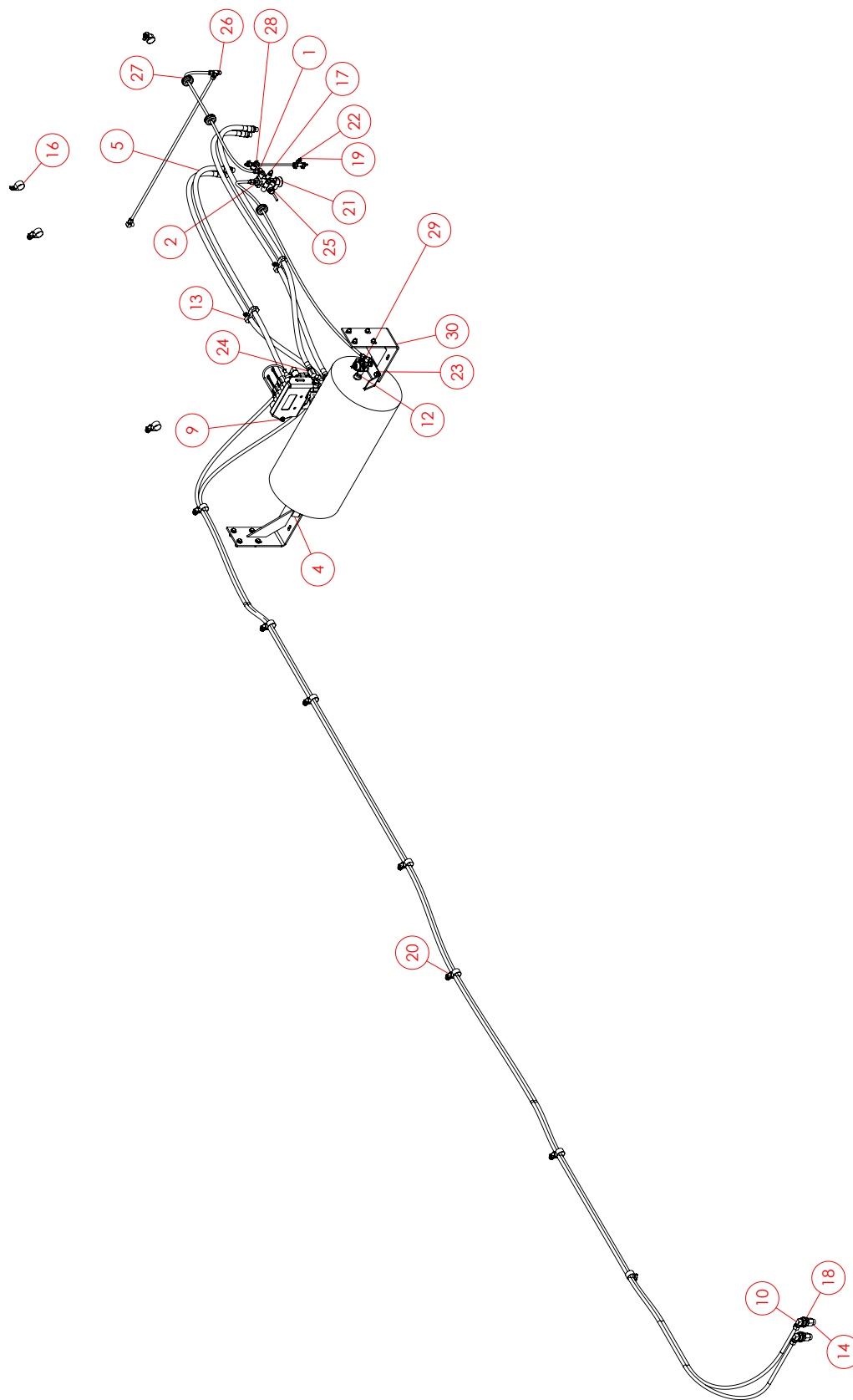
9-Pin Male Connector #1AEAP4548 Control Box (View From Rear)

Position	Color	Functions
1	RED	TUB DUMP
2	WHT	TUB - RETURN
3	GRN	LIFT AXLE DOWN
4	BLK	GROUND - CENTER PIN
5	ORG	TUB SWITCH POWER
6	BLU	TARP - UNCOVER
7	WHT/BLK	TARP - COVER
8	RED/BLK	+ POSITIVE (Tarp Over-Ride)
9	GRN/BLK	TARP LOCK OUT - SENSOR



AIR SUPPLY PARTS (4C000036)

BOM ID	Qty	Item No	Description
1	3	1ABOCL38140	ELBOW, 1/4" MP X 3/8" TUBE, 90, BRASS
2	1	1ABOCS38140	ADAPTER, 1/4" MP X 3/8 TUBE, STRT, BRASS
3	1	1ABODDRAIN0	DRAIN COCK, 1/4" NPT
4	1	1ABAP3524	AIR TANK, 2800 CU IN
5	4	1ABAP3527	HOSE, 1/2 AIR BRAKE X 60, 3/8MP-3/8MPX
6	21	1ABAP3537	NYLON TUBING, RED, 1/2"
7	21	1ABAP3635	NYLON TUBING, BLUE, 1/2"
8	10	1ABAP3683	NYLON TUBING, YELLOW, 3/8"
9	1	1ABAP4052	4S/2M 2-PORT, 3/4" NIPPLE 12V, 3/8" PORTS, ABS TANDEM AXLE KIT
10	3	1ABAP4199	TUBE, 1/2 X 3/8 MP, 90, NUT & FERRULE, BRASS
11	1	1ABAP4200	TUBE, 1/2 X 3/8 MP, STRT, NUT & FERRULE, BRASS
12	1	1ABAP4201	NIPPLE, HEX REDUCER, 3/8 MP X 1/4 MP, BRASS
13	2	1ABAP4392	HOSE CLAMP, 2 HOLE, 1/2 AIR BRAKE
14	2	1ACAP4399	COUPLING, HEX REDUCER, 1/2FP-3/8FP, BRASS
15	4	1AF009F0000	WASHER, FLAT, 3/8", PLTD
16	11	1AFAP3809	1-1/4" HOSE SUPPORT CLAMP, 3/8" BOLT
17	2	1AFBP3111	HEX CAP SCREW, 5/16-18 S 2-1/2, GRD 5, PLTD
18	2	1AFBP3584	BOLT, TERMINAL, HB646
19	1	1AFBP3587	1/4" NYLOCK NUT
20	22	1AFBP3612	NUT, HEX LOCK, 3/8-16, TOP LOCK
21	2	1AFBP3644	NUT, HEX LOCK, 5/16-18, TOP LOCK
22	1	1AFBP3648	BOLT, 1/4 X 1-1/4 GRD 8
23	22	1AFBP3692	BOLT, FLNG HEAD, 3/8-16 X 1, GR.8, PLTD
24	4	1AKAP3532	STREET ELBOW, 3/8", 90 DEGREES
25	6	1AKPAAC0000	3/8 NPT HEX HEAD PLUG
26	1	1AKTAACAAB0	MALE RUN TEE 3/8" TUBE X 1/4" MNPT
27	3	1ARAP4549	GROMMET, 1-3/8 OD X 1 ID X 3/8
28	1	1ASH1000000	HCV, IMMDT RSPNSE-NO DUMP W/LINKAGE
29	1	1ASHP000000	PRESSURE PROTECTION VALVE - AIRRIDE
30	2	5CAM9018	BRACKET, AIR TANK MOUNTING



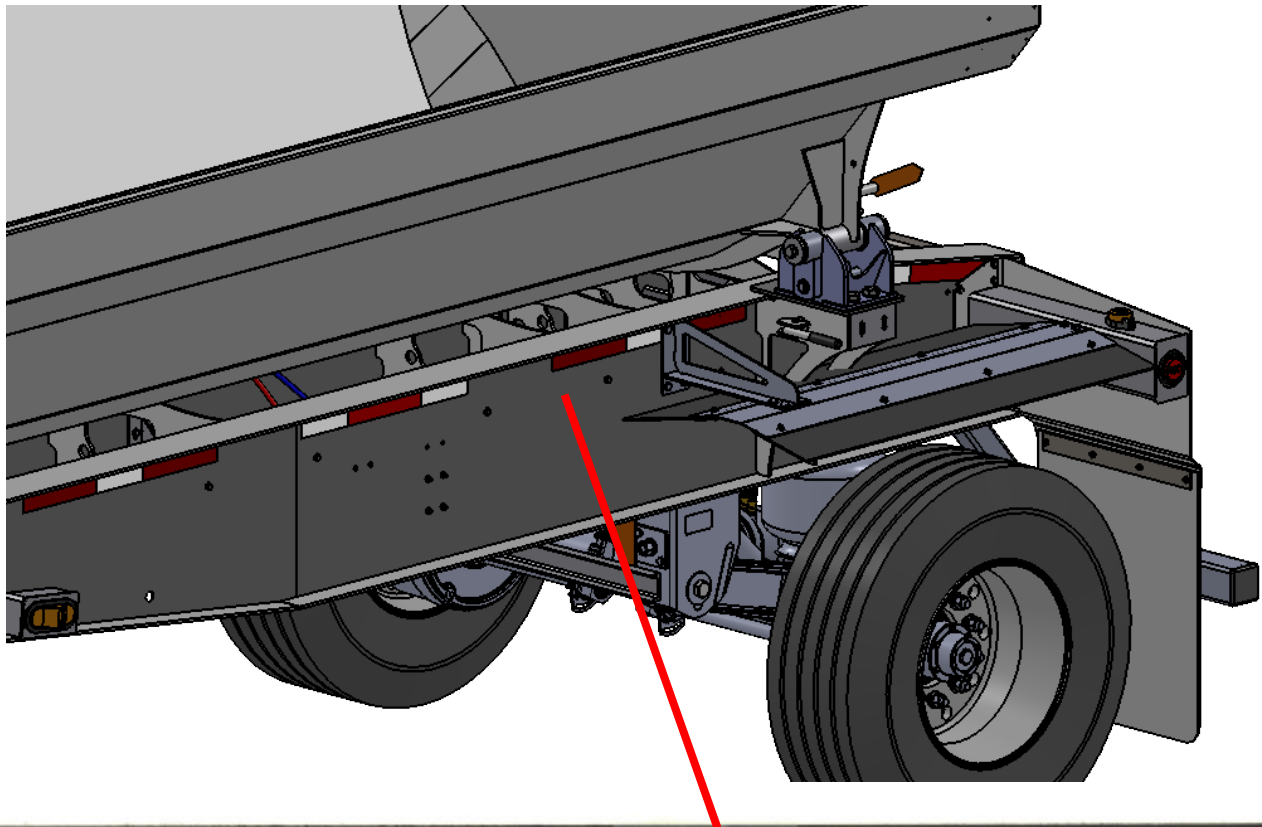
AIR SUSPENSION AND SUSPENSION TORQUE

The air suspension height is controlled by height control valves that maintains a constant trailer height by pressurizing or exhausting air in the air springs as needed to support the load being carried.

You must build up and maintain your trailer's air pressure higher than 65 psi before operating the trailer. The air protection valve won't operate until you have 65 psi in the system. This valve automatically maintains a safe air brake pressure higher than 65 psi in the event of an air loss due to a failure in the suspension system.

If an air spring failure occurs on one side, it is recommended to completely deflate the suspension and temporarily operate on the air spring's internal rubber bumpers, to allow your trailer to be moved to a shop for repairs.

To deflate or cut off the air pressure to the damaged air spring, disconnect the height control valve actuating levers from their link assemblies and rotate to the vertical down position.



CBX / CB FIXED FRAME TRAILER AIR SUSPENSION TORQUE SPECIFICATIONS

Torques are with clean, lubricated threads.
Always apply torque to nut, if possible.

REQUIRED RE-TORQUING SCHEDULE:

- All fasteners after first three (3) months or 5,000 miles.
- At every routine preventative maintenance.
- At every brake relining.

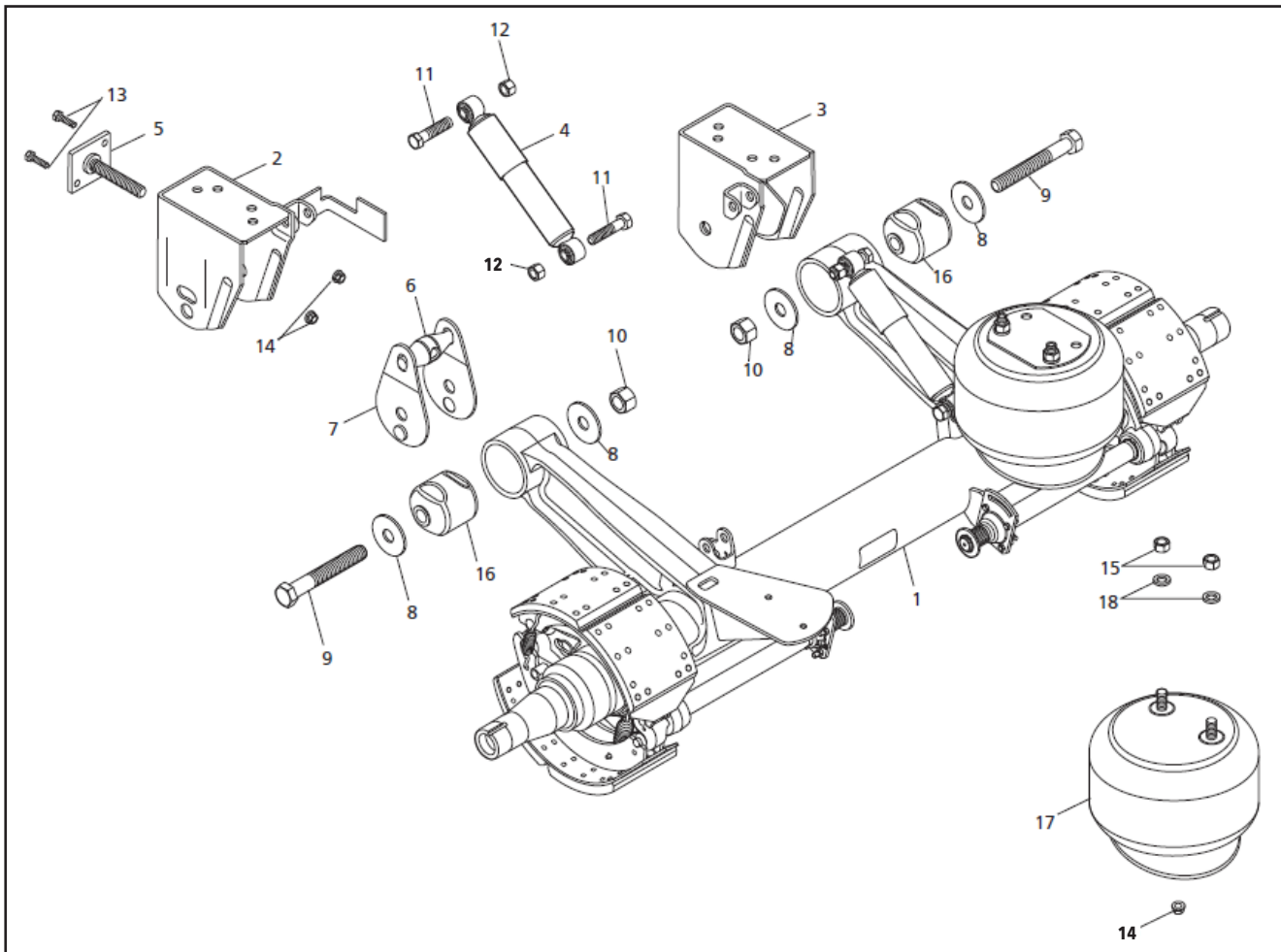
Fastener Size	Pivot Connection	Shock	Air Spring		SwingAlign
	1-1/8"	3/4"	1/2"	3/4"	1/2"
Torque Ft.-Lbs. (N•m)	450-500 (606-676)	140-175 (190-237)	30-40 (41-54)	40-45 (54-61)	50-60 (68-81)



Copyright © 2012 • SAF-HOLLAND, Inc.

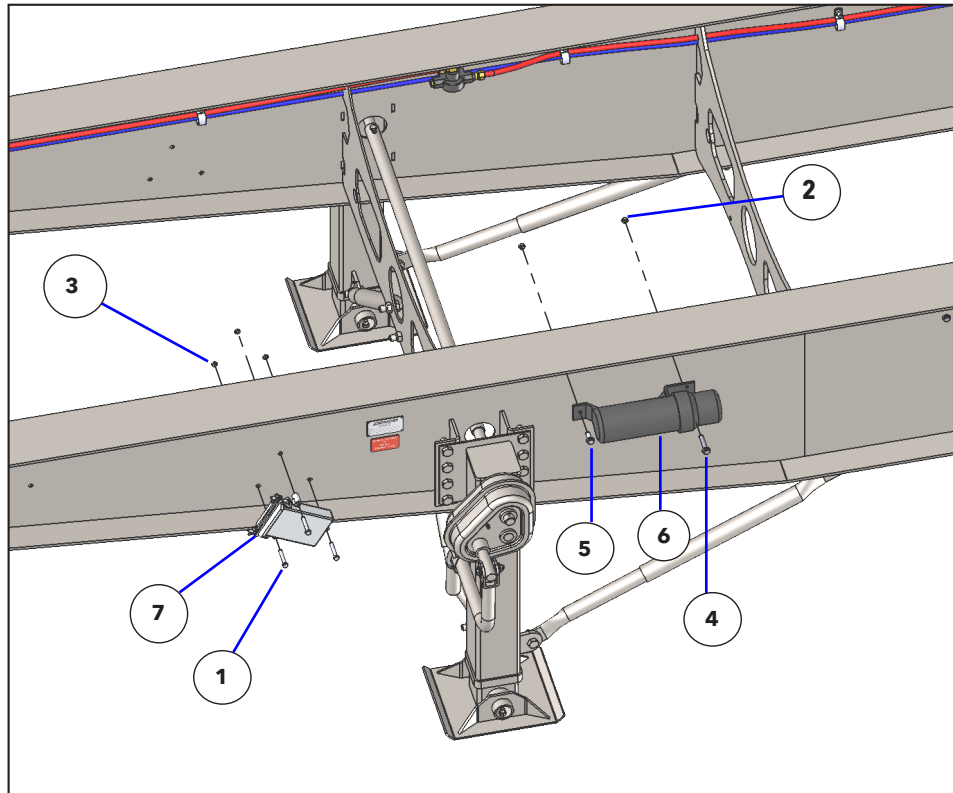
www.saf-holland.us

XL-88436 Rev. E



BOM ID	Qty / Axle	Item No	Description
1	-	N/A	CBX23 W/245 AXLE AND BEAM ASSEMBLY
2	1	1ASAP4625	SAF-H FRAME MOUNT, ROAD SIDE, CBX23-245 (90521810)
3	1	1ASAP4624	SAF-H FRAME MOUNT, CURB SIDE, CBX23-245 (90521813)
4	2	1AS90045299	SAF-H SHOCK ABSORBER, 17" RIDE HEIGHT (90045299)
5	1	1ASAP4682	SAF-H THREADED ROD ASSY, CBX SWING-ALIGN (90548007)
6	1	1ASAP4683	SAF-H YOKE, CBX SWING-ALIGN (90045491)
7	2	1ASAP4684	SAF-H PLATE WELDMENT, CBX SWING-ALIGN (90531339)
8	4	1ASAP4685	SAF-H WASHER, 1-1/8" I.D. X 3-1/2" O.D. GR 8 (93600553)
9	2	1AS48100697	SAF-H CBX AXLE PIVOT BOLT W/O POSILIFT (48100697)
10	2	1ASAP4429	SAF-H NUT, HEX LOCK, 1-1/8" - 7 GR C (93400506)
11	4	1AFBP3145	BOLT, HEX HEAD, 3/4"- 10 X 4-1/2", GR 5, PLATED
12	4	1AFBP3442	NUT, HEX, 3/4" - 10, TOP LOCK, GR C, PLATED
13	2	1AFC12HBA05	BOLT, HEX HEAD, 1/2" - 13 X 2", GR 5, PLATED
14	4	1AFC08H0000	NUT, HEX SERRATED FLANGE, 1/2" - 13, PLATED
15	4	1ASAP4687	SAF-H AIR SPRING TOP MOUNT NUT, 3/4" - 16, GR B (93400149)
16	2	1ASAP4688	SAF-H BUSHING ONLY, PIVOT, CAST BEAM, CBX23-245 (90008247)
16A*	-	N/A	SAF-H BUSHING REPAIR KIT, PIVOT, CAST BEAM, CBX23-245 (48100698)
16B*	-	N/A	SAF-H INSTALL TOOL, PIVOT BUSHING, CAST BEAM, CBX23-245 (50544015)
17	2	1ASAP4689	SAF-H AIR SPRING ASSY, 16.0" - 19.0" RIDE HEIGHT (90557399)
18	4	1AF015L0000	WASHER, LOCK, 3/4", PLATED
19*	2	1ASAP4779	STRAP, SHOCK ABSORBER LIMIT, CBX23-245, 17" RIDE HEIGHT

*NOT SHOWN IN ABOVE PARTS DIAGRAM



BOM ID	Qty	Item No	Description
1	3	1AFBP3601	HEX CAP SCREW, 5/16"-18 X 2", GR 5, PLTD
2	2	1AFBP3612	NUT, HEX LOCK, 3/8"-16, TOP LOCK, PLTD
3	3	1AFBP3644	NUT, HEX LOCK, 5/16"-18, TOP LOCK, PLTD
4	1	1AFBP3685	BOLT, FLANGE HEAD, 3/8"-16 X 2", GR 8, PLTD
5	1	1AFBP3692	BOLT, FLANGE HEAD, 3/8"-16 X 1", GR 8, PLTD
6	1	1AU00000011	MANUAL HOLDER, BLACK
7	1	1AUAP3811	JAMES KING DOCUMENT BOX, NO. 300

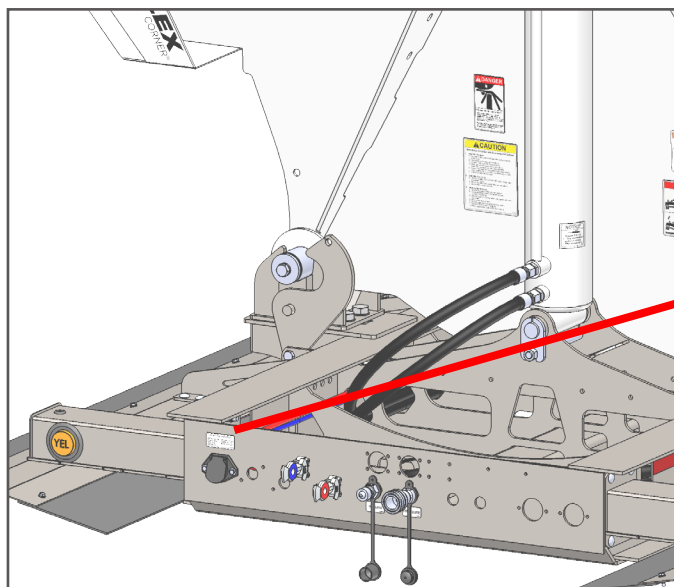
The lights and wiring system on every Demco Side Dump trailer meet or exceed all federal and state requirements in effect at the time of manufacture. Wherever required by law, lights and reflectors are marked by the manufacturer to indicate the appropriate specifications with which each complies.

For optimum performance and long life from the trailer's lights and wiring, follow this inspection procedure:

1. Clean all reflectors and lights. See that all lights burn properly. Replace all burned out lights and broken reflectors. Factory approved replacement parts should be used, and replacement bulbs of equal candle power should be used for safety.

! WARNING! Use only a 12 volt DC battery for checking lights or anti-lock systems. Never use battery chargers or transformers.

2. Inspect all wiring to see that it is not frayed, and that it is properly supported and protected, with all connections tight. See that the light cable is clean and long enough to permit jackknife parking. Be certain that the cable is supported so that it cannot be pinched or entangled by the lower and upper couplers. Keep the 7-way plug on the light cable and the 7-way connector on the trailer free of corrosion.
3. Never replace fuses or breakers with metal foil or other devices.
4. A decal is located near the 7-way connector. You may trace individual electrical circuits by the wire colors indicated. Refer to the schematic drawing and the decal for conductor number and wire colors.



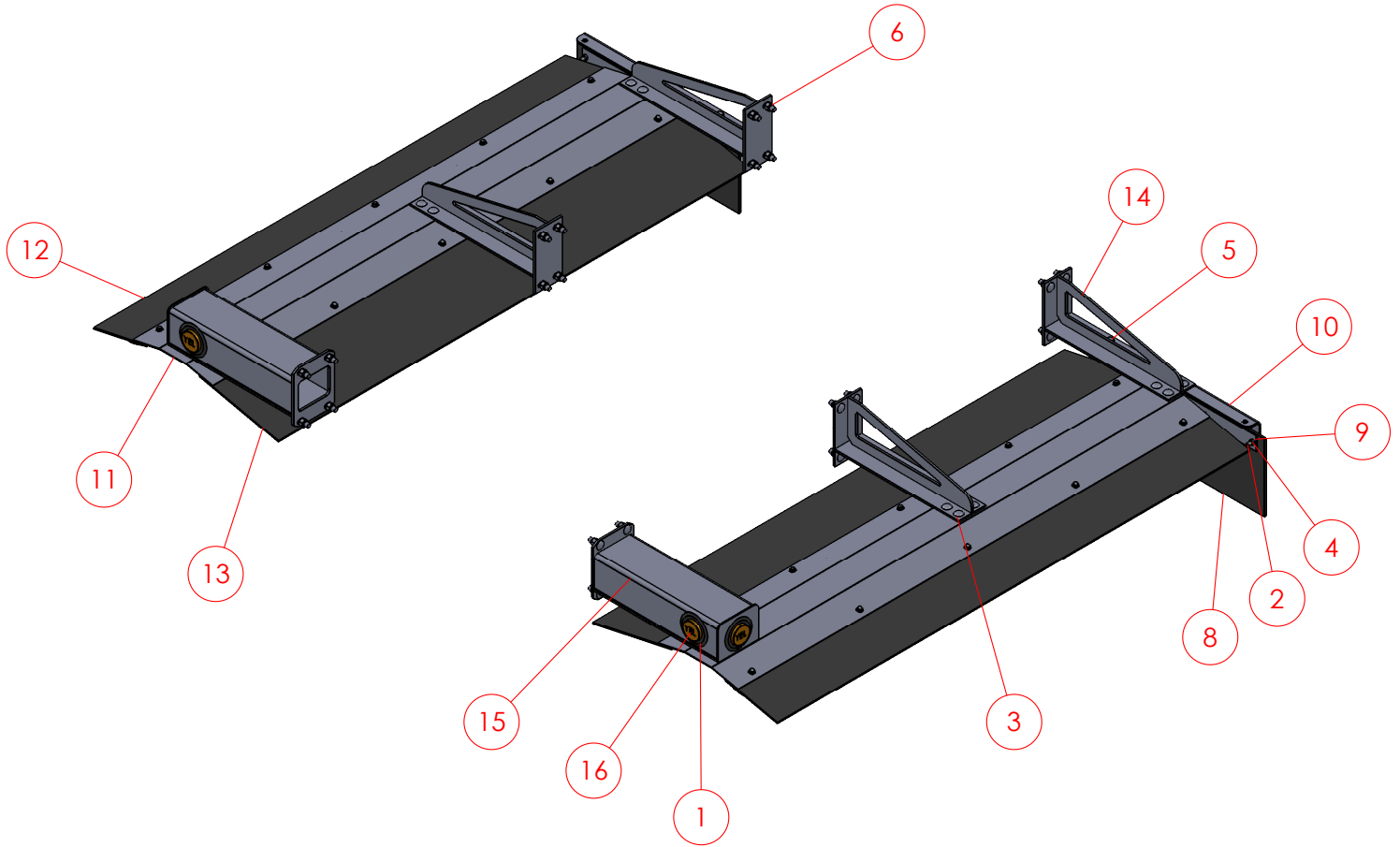
Wiring Harness Color Code

WHITE - Ground	YELLOW - Lt Turn
BLACK - Marker	GREEN - Rt Turn
RED - Stop	BLUE - Auxiliary
BROWN - Tail	

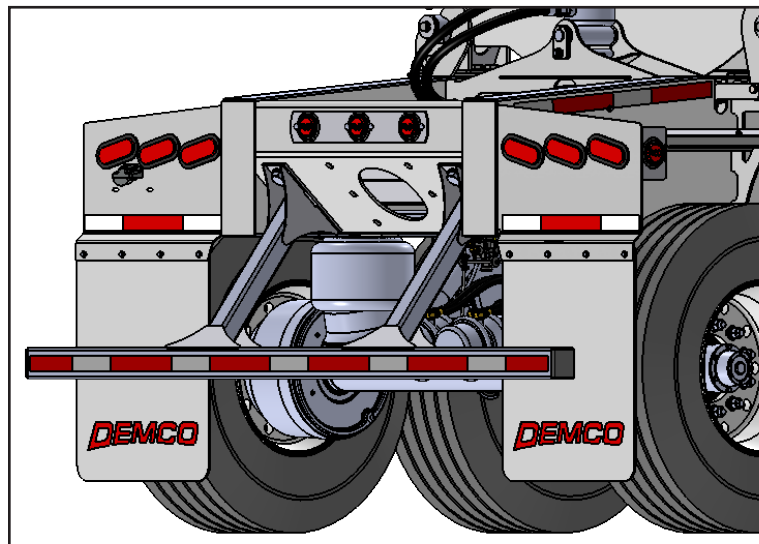
AP 3674

1AQAP3674
WIRING HARNESS COLOR CODE DECAL

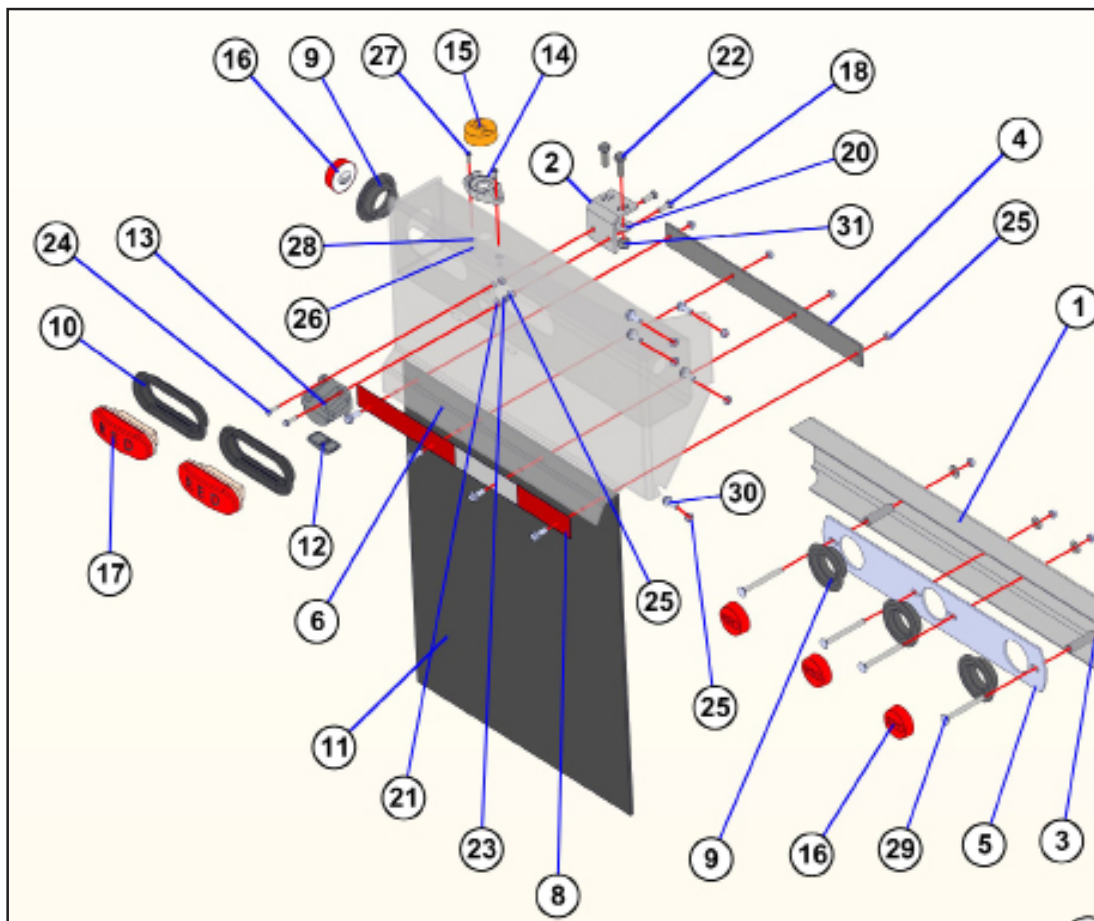
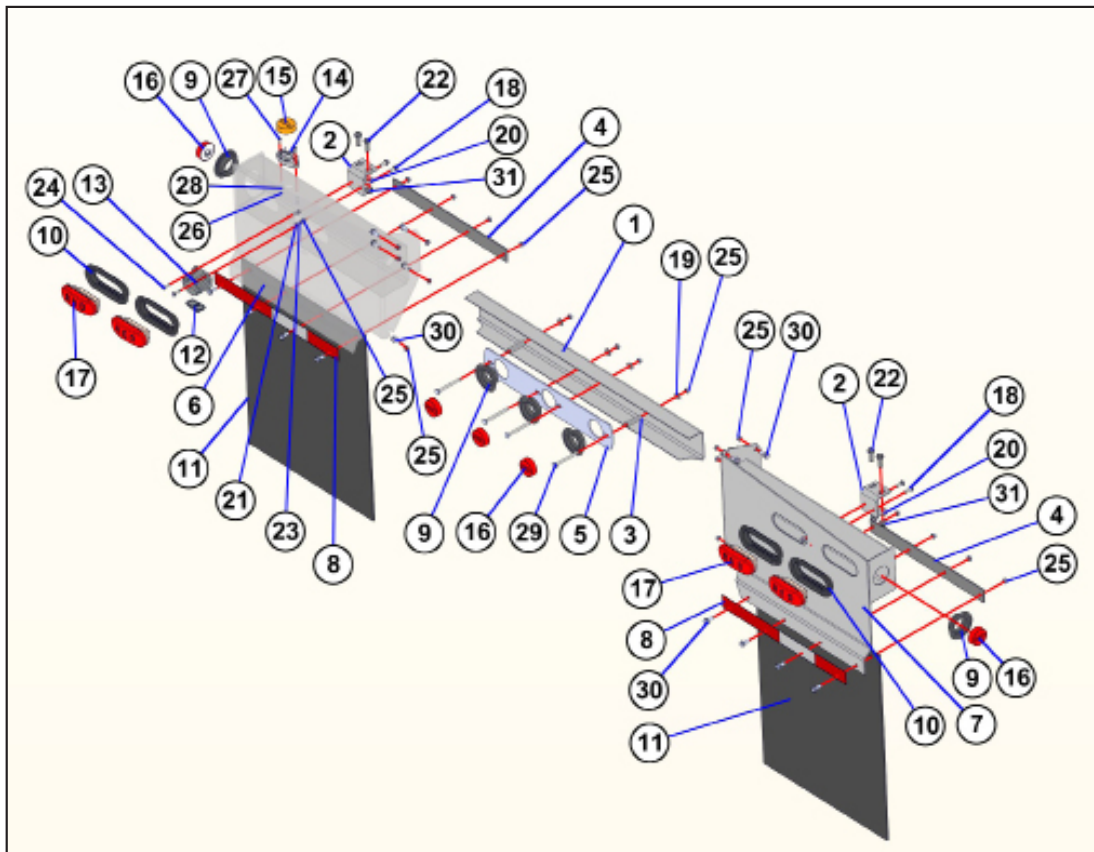
FENDER PARTS -- FRONT (5C000132)

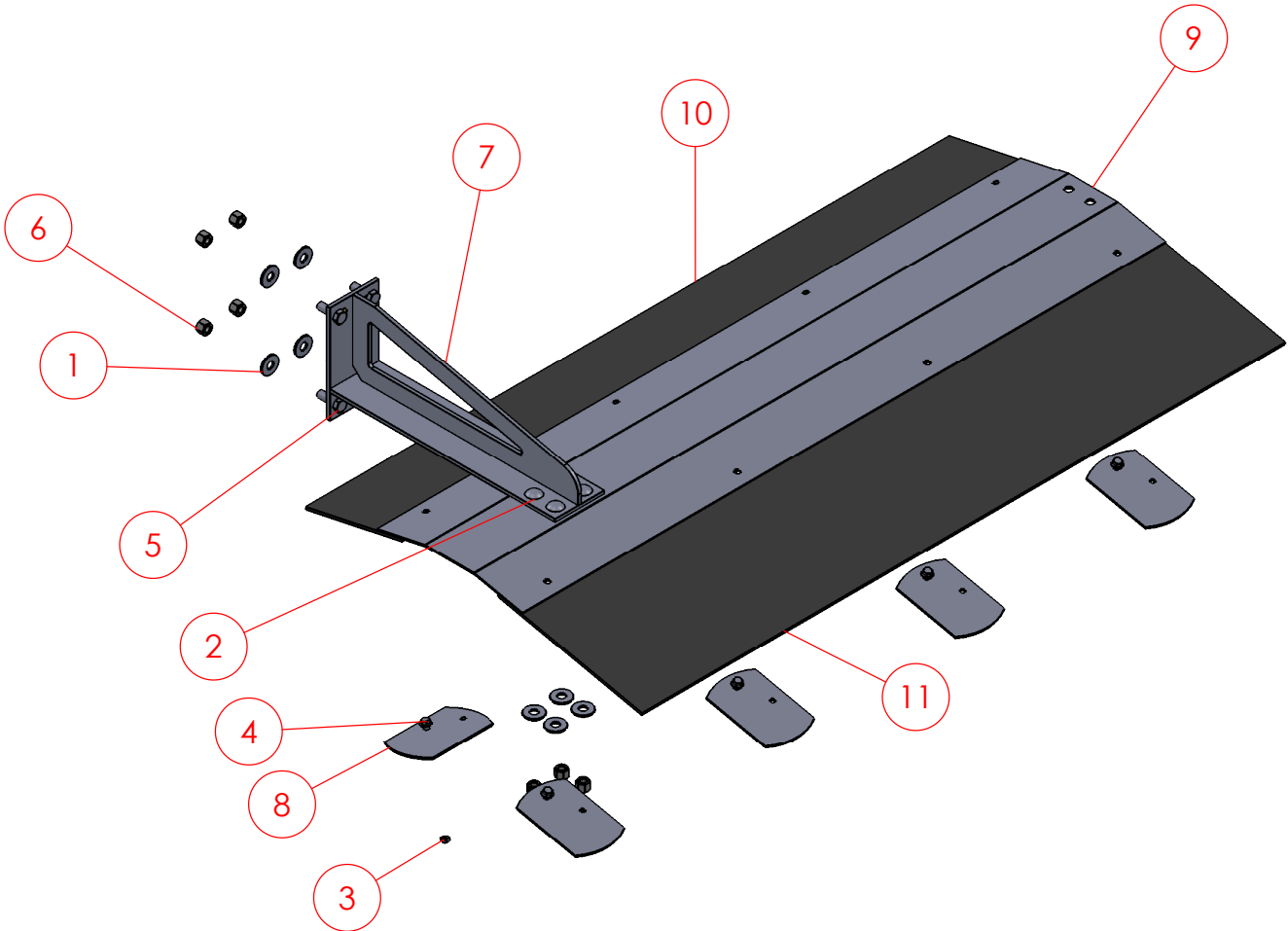


BOM ID	Qty	Item No	Description
1	4	1AEG0010700	LAMP, SUPER 10 GROMMET, 10700-3
2	8	1AFBP3005	HEX CAP SCREW, 3/8"-16 X 1-1/2", GR.5 PLTD
3	48	1AFBP3232	BOLT, CARRIAGE, 1/2-12 X 1-1/2, GR.5
4	8	1AFBP3612	NUT, HEX LOXK, 3/8-16, TOP LOCK
5	2	1AFC12HAAH0	HEX CAP SCREW, 1/2"-13 X 1-1/2", GR.5 PLTD
6	50	1AFC18H0000	NYLON INSERT LOCKNUT, 1/2-13 UNC
7	2	1ARAP4010	GROMMET, PLUG, 2-3/4 HOLE, G8077-046000
8	2	1AUAP4027	MUD FLAP BLACK RUBBER
9	2	3CAM9035	MUD FLAP BACKING STRAP
10	2	3CAM9239	MUD FLAP MOUNT
11	2	3CAM9329	FENDER SUPPORT, FRONT, 2 AXLE FULL TRAILER
12	2	3CAM9330	FENDER RUBBER, 8" X 70"
13	2	3CAM9331	FENDER RUBBER 12" X 70"
14	4	5CAM9004	FRAME FENDER MOUNT
15	2	5CAM9005	FRONT LIGHT/FENDER MOUNT
16	4	AP4311	LAMP, LED, CLEAR/MARKER, YELLOW, 2-1/2"
17	20	5C000012	FENDER WASHER & BOLT, INSIDE



BOM ID	Qty	Item No	Description
1	1	3CAM9008	BACK COVER, ID LIGHTS
2	2	3CAM9010	BRACKET, FENDER MOUNT
3	2	3CAM9011	SPACER TUBE
4	2	3CAM9035	MUD FLAP BACKING STRAP
5	1	3CAM9058	ID LIGHT FACE PLATE
6	1	5CAM9341	FENDER/ MUDFLAP MOUNT, LH, (ROAD SIDE)
7	1	5CAM9342	FENDER/ MUDFLAP MOUNT, RH, (CURB SIDE)
8	2	1AQAP3506	REFLECTIVE TAPE, RED/SILVER
9	5	1AEAP3548	LAMP, SUPER 10 GROMMET, 10700-3
10	4	1ARAP3551	GROMMET, OVAL, MODEL 60
11	2	1AUAP4027	MUD FLAP, BLACK, RUBBER
12	1	1AEAP4120	LICENSE PLATE LAMP, CLEAR, 12 V
13	1	1AEAP4121	LICENSE PLATE LAMP MOUNTING BRACKET, GREY
14	1	1AEAP4301	ABS LIGHT BRACKET, 102008HP
15	1	1AEAP4302	ABS LIGHT, 101731F
16	5	1AEAP4310	LAMP, LED, CLEAR/MARKER, RED, 2-1/2"
17	4	1AEAP4312	LAMP, LED, OVAL, STOP TURN & TAIL, RED
18	4	1AFBP3006	HEX CAP SCREW, 3/8"-16 X 1", GRADE 5, PLATED
19	4	1AFBP3015	WASHER, FLAT, 3/8", PLATED
20	4	1AFBP3050	WASHER, FLAT, 1/2", PLATED
21	2	1AFBP3055	WASHER, FLAT, 1/4", PLATED
22	4	1AFBP3126	HEX CAP SCREW, 1/2"-13 X 1-1/2", GRADE 5, PLATED
23	2	1AFBP3587	NUT, HEX, 1/4", NYLOCK
24	2	1AFBP3600	HEX CAP SCREW, 1/4"-20 X 1" GRADE 8, PLATED
25	26	1AFBP3612	NUT, HEX LOCK, 3/8"-16, TOP LOCK
26	2	1AFBP3641	NUT, HEX LOCK, #10-24, NYLOCK
27	2	1AFBP3642	PAN HEAD MACHINE SCREW, #10-24 X 3/4"
28	2	1AFBP3643	WASHER, #10 USS FLAT
29	4	1AFBP3687	BOLT, CARRIAGE, 3/8"-16 X 4", GRADE 5, PLATED
30	18	1AFBP3692	BOLT, FLANGE HEAD, 3/8"-16 X 1", GRADE 8, PLATED
31	4	1AFBP3704	NUT, LOCK, NYLON INSERT, 1/2"-13

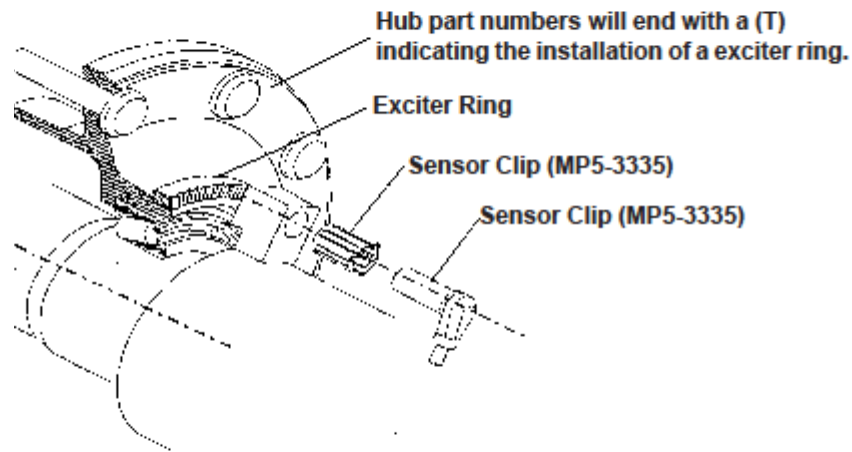




BOM ID	Qty	Item No	Description
1	8	1AF009H0000	WASHER, FLAT, 1/2", PLTD
2	4	1AFBP3232	BOLT, CARRIAGE, 1/2-13 X 1-1/2, GR.5
3	8	1AFBP3644	NUT, HEX LOCK, 5/16-18, TOP LOCK
4	8	1AFBP3709	BOLT, FLNG HEAD, 5/16-18 X 1, GRD 8, PLTD
5	4	1AFC12HAAH0	HEX CAP SCREW, 1/2"-13 X 1-1/2", GR.5, PLTD
6	8	1AFC18H0000	1/2" NYLOCK NUT
7	1	5CAM9004	FRAME FENDER MOUNT
8	8	AM9089	FENDER WASHER
9	1	AM9301	FENDER SUPPORT, REAR, 52-1/2"
10	1	AM9302	FENDER RUBBER, 8 X 52-1/2", REAR, 1 AXLE FT
11	1	AM9303	FENDER RUBBER, 12" X 52-1/2", REAR, 1 AXLE FT

FULL FUNCTION ANTI-LOCK BRAKE SYSTEM (ABS)

This trailer is equipped with a Haldex Full Function Anti-Lock Brake System (FFABS) to maintain stability and control during braking by preventing wheel lock-up. FFABS consists of Sensors and Exciters, Modulating Relay Valve, and an Electronic Control Unit (ECU) to maximize the braking ability of the trailer. The ECU monitors wheel speeds, and thus vehicle speed, through the use of sensors and exciters that are mounted on the hubs of the trailer. When the ECU detects the speed of a wheel or wheels decreasing rapidly during a braking application, it releases the air pressure in the brake chamber of the affected wheel (s) via the modulator. This allows the wheel(s) to begin rotating again, thus avoiding lock-up. As soon as the wheels begin to rotate again, the ECU reapplies pressure in the affected brake chambers to maximize braking effectiveness. If the condition that caused the lock up remains, the cycle is repeated until either the brake application or vehicle is stopped. Operation is totally automatic and can occur up to six times per second.



NOTE: FFABS can be installed on a variety of trailer configurations capable of controlling 2, 4 or 6 service/spring brake chambers. When the system is installed on a multi-axle trailer, it is important the proper axle is selected for positioning of the ABS wheel end sensors. Several factors are involved in making this decision, including but not limited to, the selected axle should be the one that carries the least load or is most likely to lock first in a hard brake application.

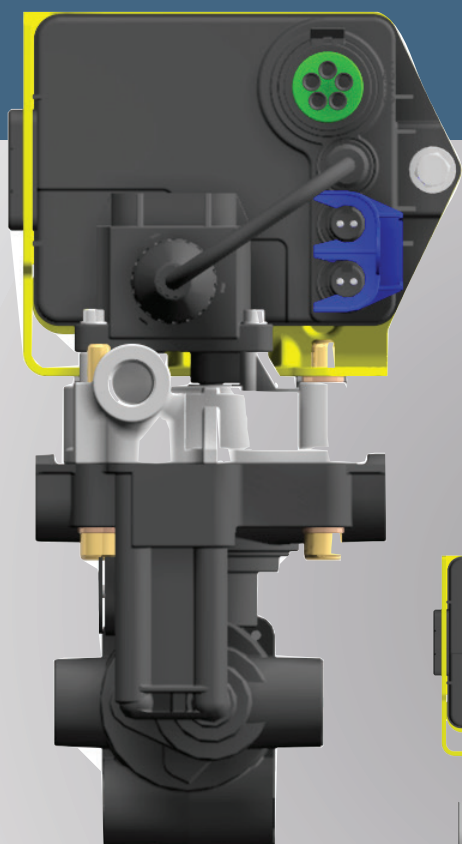
The Full Function ABS Valve was designed as a method of providing a complete trailer braking system combined with skid control in a single package. This valve combines the functions of several separate valves while providing all the valve needs for trailer service and spring brakes.

The FFABS valve has three control sections:

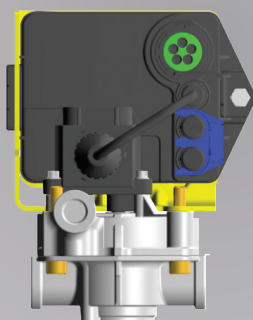
1. Skid control unit that modulates signal pressure to prevent wheel lock up.
2. Relay valve to provide the high flow of air from reservoir to brake chambers required for good brake response.
3. Spring brake control module which incorporates pressure protection, one way check, double check for anti-compounding, and quick release.

The electronic control unit of the FFABS valve receives operating power from the seven-way connector. In the event of a power failure, the system will revert to a typical relay valve system; spring brake control is unaffected by a power failure.

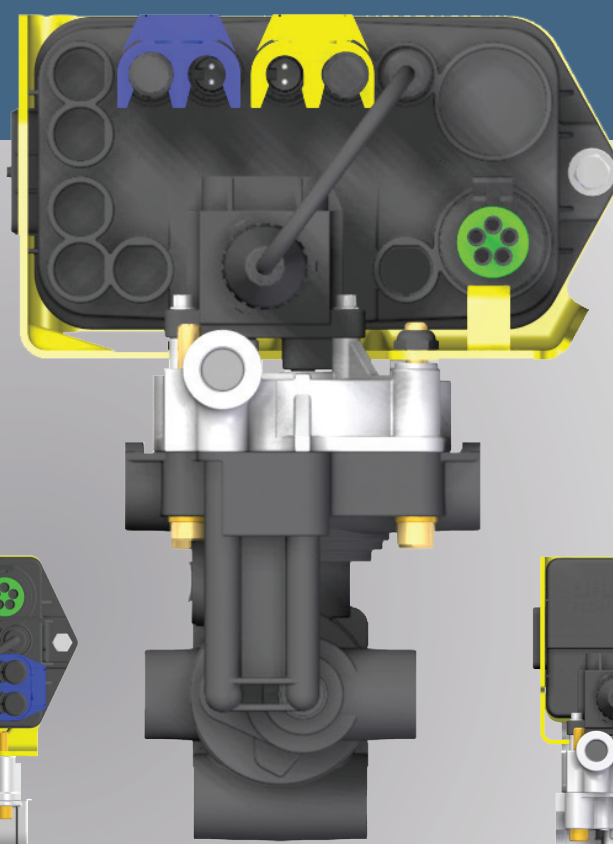
INSTALLATION/SERVICE GUIDE



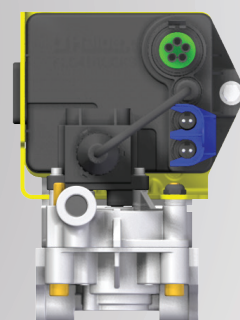
**PLC Select
1M -FFABS**



**2-Port ABS
Relay Valve**



**PLC Select
2M -FFABS**



**6-Port ABS
Relay Valve**

2S/1M - 4S/2M PLC Select Anti-Lock Braking Systems (L30041)

<https://www.haldex.com/globalassets/north-america/documents/abs/L30041.pdf>



haldex.com

Table of Contents

Section	Page
Table of Contents	1
Important Notices	2
Wheel End Installation	3
2S/1M Axle-By-Axle Configuration - Multi-Axle Trailers (2-6 Port Valve).....	4
2S/2M Side-By-Side Configuration - Multi-Axle Trailers (2-6 Port Valve).....	5
4S/2M Side-By-Side Configuration - Multi-Axle Trailers	6
4S/2M Side-By-Side Configuration - Multi-Axle Trailers With Lift Axle(s)	7
4S/2M Axle-By-Axle Configuration - Multi-Axle Trailers.....	8
4S/2M Axle-By-Axle Configuration - Multi-Axle Trailers With Lift Axle(s).....	9
PLC Select 1M System Components.....	10
PLC Select 2M System Components.....	11
PLC Select 1M FFABS Valve Overview	12
PLC Select 2M FFABS Valve Overview	13
PLC Select 1M 6-Port ABS Relay Valve - Overview	14
PLC Select 1M 2-Port ABS Relay Valve Overview	15
PLC Select 1M/2M Trailer Brake Control Valve (TBCV) Overview	16
PLC Select 1M/2M FFABS Valve Typical Tank Mounting Overview.....	17
PLC Select 1M ECU Power and Speed Sensor Connections	18
PLSC Select 1M Pin Out for ABS Power Cord.....	18
PLC Select 1M/2M Speed Sensor Cable Routing	19
PLC Select 2M ECU Power and Speed Sensor Connections.....	20
Notes Page.....	21
PLC Select 1M/2M Chassis End of Line Testing	22
PLC Select 1M/2M Road Testing	23
PLC Select 1M/2M Diagnostic Tools	24 - 26
PLC Select 1M/2M Blink Code Diagnostics	27 - 31
PLC Select 1M/2M Tire Scale Factor Chart	32
PLC Select 1M/2M Troubleshooting ABS Warning Light	33
PLC Select 1M/2M Troubleshooting Diagnostic Codes	34 - 38
SAE J1587/J1708 Fault Codes	39 - 41
PLC Select 1M/2M Valve Solenoids	42
Technical Support.....	43

Available For Download At haldex.com

L20243 - ABS Service Components Catalog

L30041 - 2S/1M - 4S/2M PLC Select Anti-Lock Braking Systems

L31154W - PC Diagnostic Instruction Manual (Web Only)

L31158W - Info Center Instruction Manual (Web Only)

If you have any questions on this product or any of the Innovative Products offered by Haldex, contact your local distributor for complete details. Technical Service or Troubleshooting help can be obtained by calling Haldex Technical Services Department at 800-643-2374, OPTION 2.

©2020 All Rights Reserved

Material may only be reproduced with the written permission of Haldex.



Technical Support

United States

Haldex Brake Products Corporation
10930 North Pomona Avenue
Kansas City, Missouri 64513
Technical Service & Engineering Support
+1 (800) 643-2374 (Press 2) or Ext. 2337

Canada

Haldex Limited/Haldex Limitée
500 Pinebush Road, Unit 1
Cambridge, ON N1T 0A5
Technical Service & Engineering Support
+1 (800) 267-9247 (Press 2)

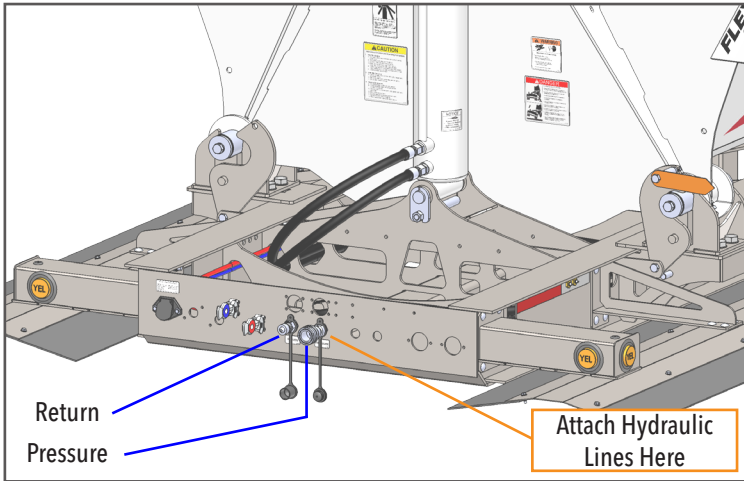
To learn more, contact your Haldex sales professional.

United States 816-891-2470
Canada 519-621-6722
Mexico 52-81-81569500

For additional contact information
or to learn more about Haldex,
please visit Haldex.com

L30041
US Rev. 3/20
WEB ONLY

<https://www.haldex.com/globalassets/north-america/documents/abs/L30041.pdf>



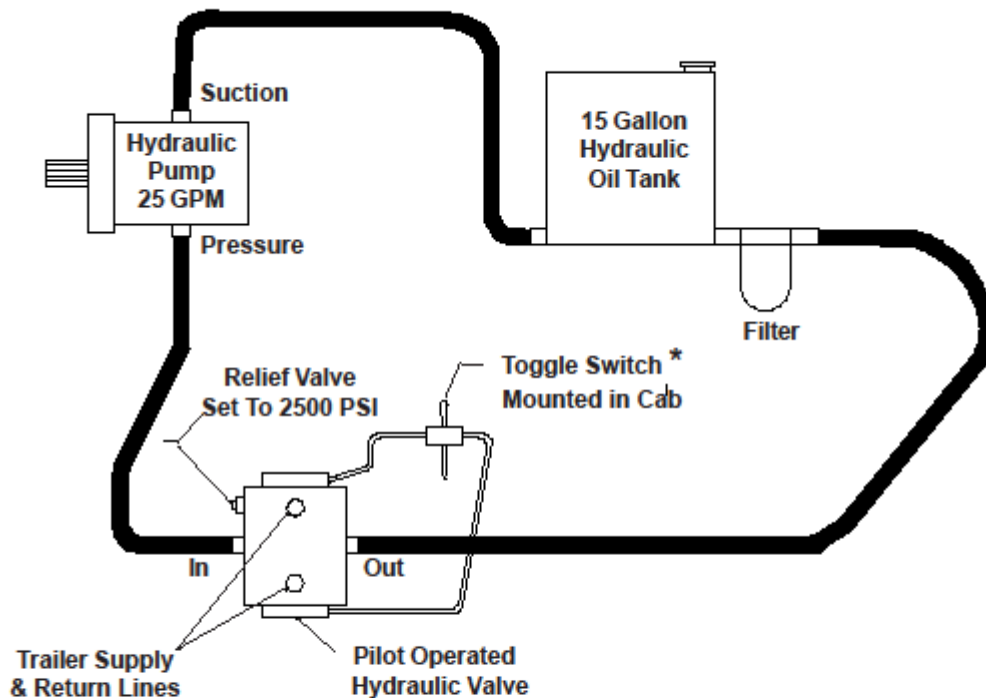
WARNING: Hydraulic fluid escaping under pressure can have enough force to penetrate the skin. Hydraulic fluid may also infect a minor cut or opening in the skin. If injured by escaping fluid, see doctor at once. Serious infection or reaction can result if medical treatment is not given immediately. Make sure all connections are tight and that hoses and lines are in good condition before applying pressure to the system. Relieve all pressure before disconnecting the lines or performing other work on the hydraulic systems.

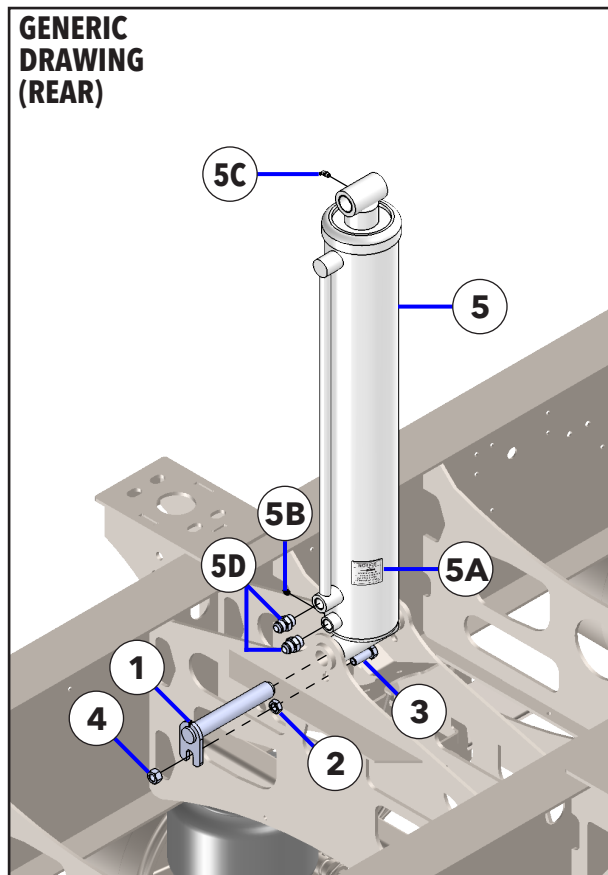
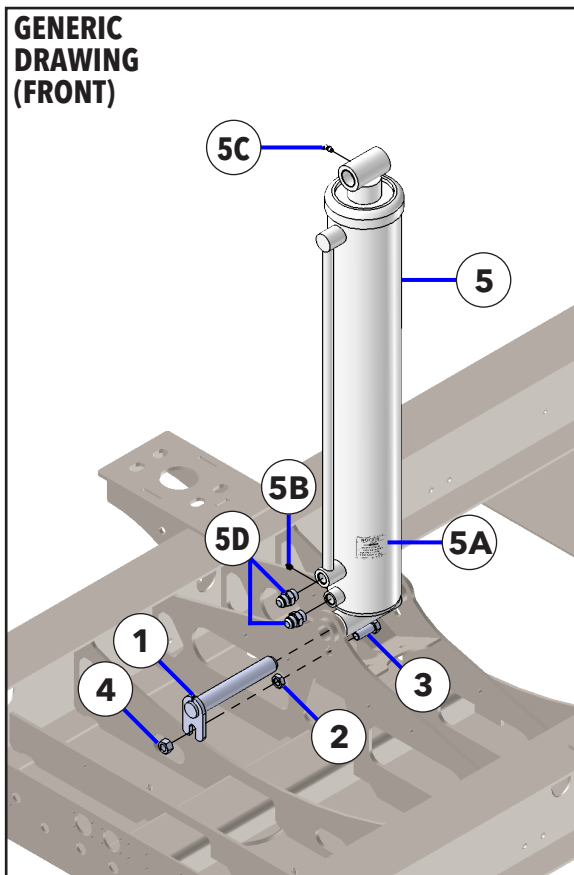
Truck-Tractor Hydraulic Systems

Efficient, safe operation of side dump trailers require that the tractor hydraulic system provide a clean, high pressure, high volume oil supply. The hydraulic pump pressure should be set at 2500 PSI with a minimum output of 25 GPM supply and a minimum 15 gallon filtered and strained reservoir.

NOTE: Hydraulic Oil Filter should be Changed every 25,000 miles or yearly, which ever comes first and hydraulic system flushed every 50,000 miles with pressure and flow rates checked.

Generic Tractor Hydraulic System



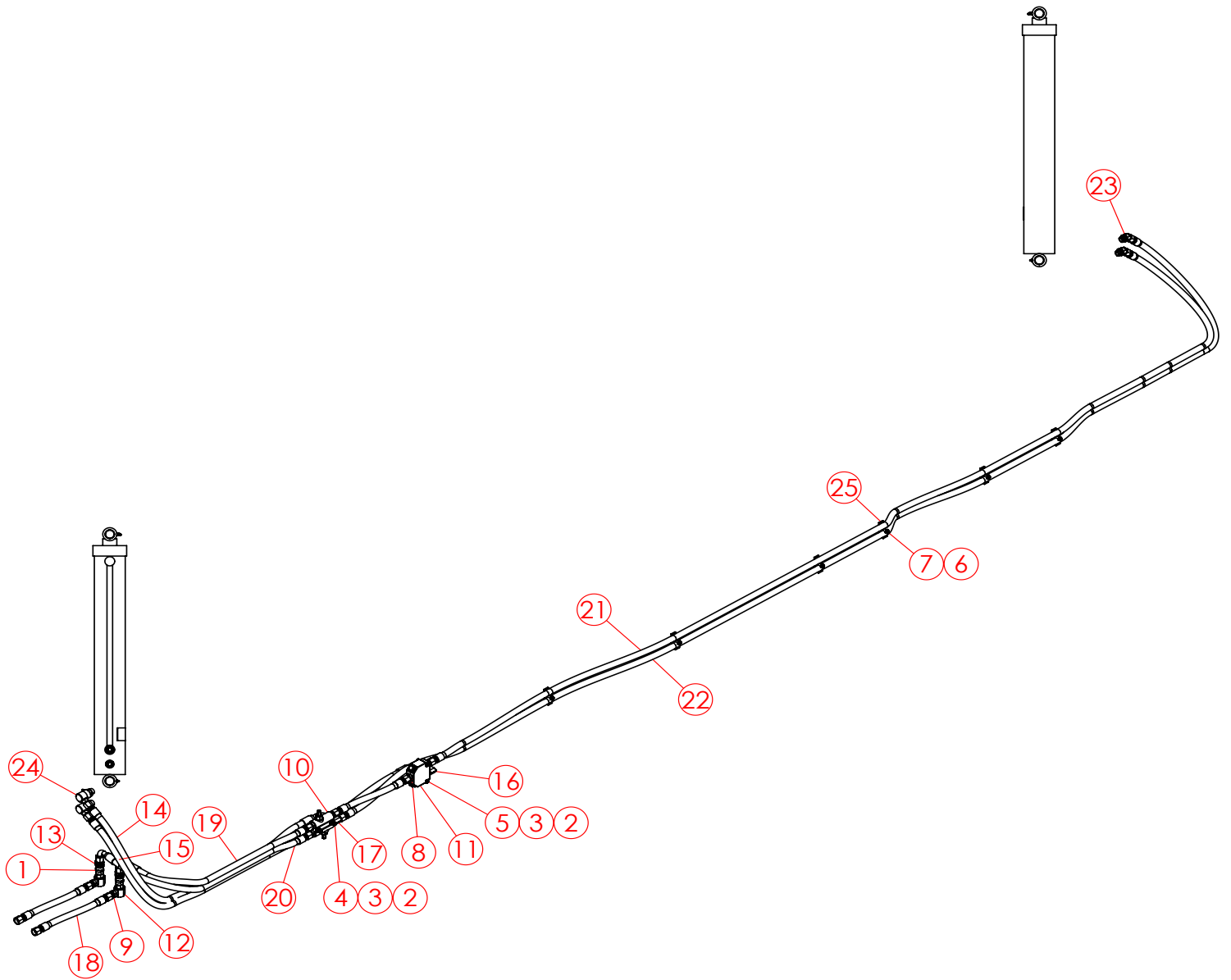


BOM ID	Qty	Item No	Description
1	2	5CAM9019	PIN, CYLINDER, 1-1/2" X 9-5/8"
2	2	1AFBP3107	NUT, HEX JAM, 3/4"-10, GR 2, PLATED
3	2	1AFBP3139	HEX CAP SCREW, 3/4"-10 X 2", GR 5, PLATED
4	2	1AFC05L0005	3/4 CENTERLOCK NUT
5	2	1AYDP6347	CYLINDER, HYDRAULIC, 5" X 36", WITH DROP TUBE
5	2	1AYDP6349	CYLINDER, HYDRAULIC, 6" X 36", WITH DROP TUBE
5A	2	1AQAP2986	DECAL, GREASE TRAILER WEEKLY, 2-3/4"W X 3"T
5B	2	1AKZAAA0000	GREASE ZERK, 1/8" NPT
5C	2	1AFBP3654	GREASE ZERK, 1/8" MP X 45 DEGREE ELBOW
5D	4	1AKDP4368	ADAPTER, 12MJIC-12MSAE, STRAIGHT, 6400-12
*	1	1AKDP6603	SEAL KIT 5" WETHERELL CYLINDER
*	1	1AKDP6569	SEAL KIT 6" WETHERELL CYLINDER

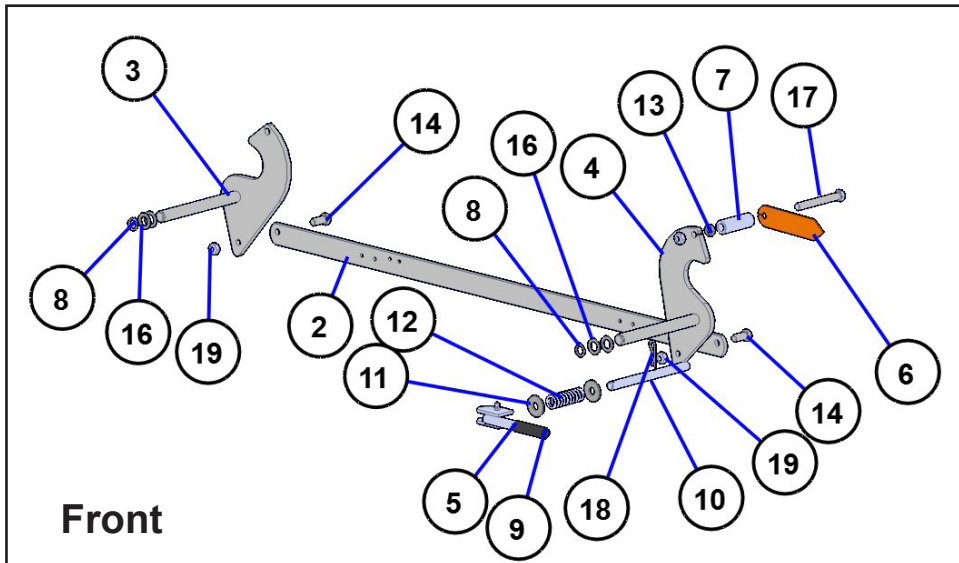
*Not shown in part diagrams.

HYDRAULIC PARTS (4C000037)

BOM ID	Qty	Item No	Description
1	2	1ACDP6307	COUPLING, 12FP-12FP
2	12	1AF009D0000	1/4" FLAT WASHER
3	4	1AFBP3587	NUT, HEX LOXK, 1/4"-20, NYLOCK
4	2	1AFBP3588	HEX CAP SCREW, 1/4'-20 X 3, GR.8, PLTD
5	2	1AFBP3589	HEX CAP SCREW, 1/4"-20 X 2-1/2, GR.8, PLTD
6	6	1AFBP3612	NUT, HEX LOCK, 3/8"-16 TOP-LOCK
7	6	1AFBP3685	BOLT, FLNG HEAD, 3/8"-16 X 2, GR.8, PLTD
8	5	1AKDP4368	ADAPTER, 12MJIC-12MSAE, STRAIGHT, 6400-12
9	2	1AKDP4388	UNION, 12MJ-12MJ, 2403-12
10	1	1AKDP6302	VALVE, DOUBLE RELIEF, PRINCE, H-L
11	1	1AKDP6303	VALVE, PROPORTIONAL DIVIDER, PRINCE
12	2	1AKDP6304	ELBOW, 90*, 12MP-12FPX, LIVE SWIVEL
13	2	1AKDP6495	BULKHEAD ADAPTER W/ NUT, 12MJ-12MP, 2706-LN-12-12
14	1	1AKDP6534	HOSE, HYD, 3/4 X 62", 12FJIC90*-12FJX
15	1	1AKDP6535	HOSE, HYD, 3/4 X 87" 12FJIC90*-12FJX
16	1	1AKDP6538	ADAPTER, 12MJ-12MSAE 90*-6801-12
17	1	1AKDP6557	TEE, 12MJ-12MSAE-12MJ-6804-12
18	3	1AKDP6558	HOSE, HYD, 3/4 X 18-12", 12FJX-12FJX
19	1	1AKDP6587	HOSE, HYD, 3/4 X 43", 12FJX90*-12FJX
20	1	1AKDP6588	HOSE, HYD, 3/4 X 48", 12FJX90*-12FJX
21	1	1AKDP6592	HOSE, HYD, 3/4 X 232", 12FJX-12FJX
22	1	1AKDP6593	HOSE, HYD, 3/4 X 257", 12FJX-12FJX
23	2	1AKDP6608	ADAPTER, 12MSAE-12MJ, 45, 4802-12
24	2	1AKDP6609	SWIVEL, LIVE, 12MSAE-12MJ, 90*, LS6801-12-12
25	6	3CAM8053	HOSE RETAINER, SINGLE

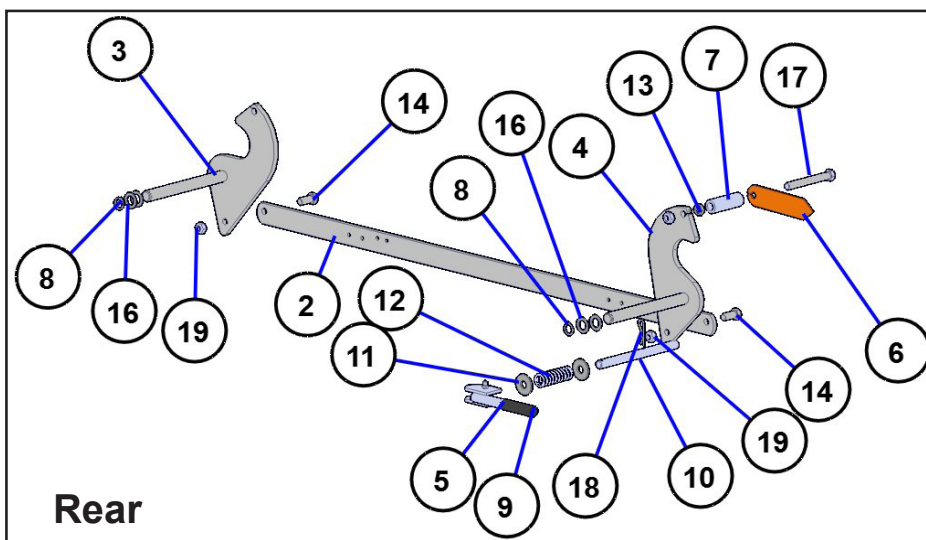
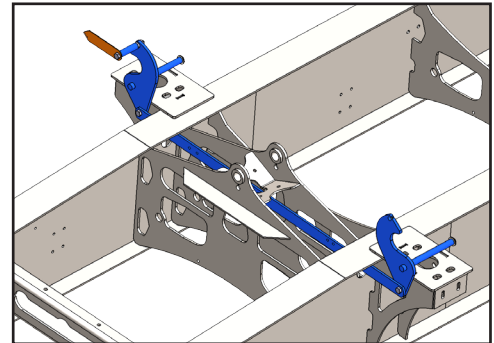
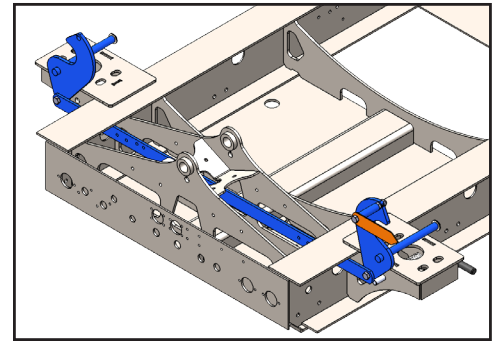


PIVOT LATCH COMPONENTS



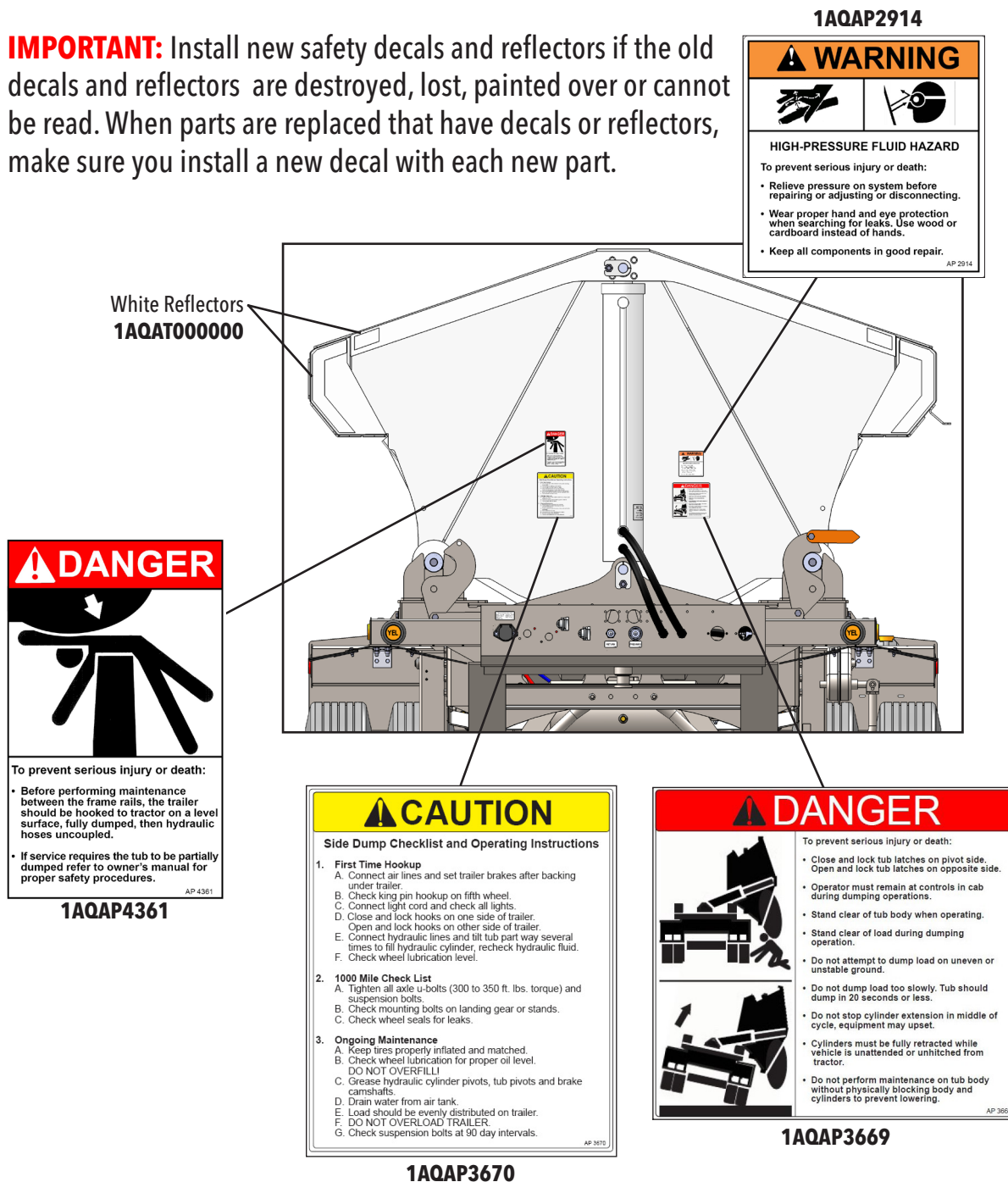
Front

BOM ID	Qty	Item No	Description
1	1	4CPKG00113	PACKAGE, PIVOT LATCH, 2001 SIDE DUMP
2	2	3CAM9078	LATCH CONNECTOR
3	2	5CAM9123	TUB PIVOT LOCK, LEFT HAND FRONT/RIGHT HAND REAR
4	2	5CAM9124	TUB PIVOT LOCK, RIGHT HAND FRONT/ LEFT HAND REAR
5	2	3CAM9125	LATCH LOCK HANDLE
6	2	3CAM9155	LATCH INDICATOR FLAG
7	2	3CAM9156	SPACER
8	4	1AFAP2407	SNAP RING, 1" EXTERNAL, HEAVY DUTY
9	2	1ABAP4208	GRIP, .843" ID X 4" OAL
10	2	1AFBM3727	PIN, LATCH LOCK, 3/4" X 10-3/8" OAL
11	4	1AFBP3033	WASHER, FLAT, 3/4", PLATED, STANDARD, TYPE A, SERIES W
12	2	1AFBP3066	COMPRESSION SPRING RIGID HITCH
13	2	1AFBP3080	NUT, HEX JAM, 5/8"-11, GRADE 2
14	4	1AFBP3097	HEX CAP SCREW, 5/8"-11 X 1-1/2", GRADE 5, PLATED
15	2	1AFBP3110	HEX CAP SCREW, 5/16"-18 X 2", GRADE 5, PLATED
16	8	1AFBP3215	MACHINERY BUSHING, 1-1/2" OD X 1" ID, 14 GAUGE, PLATED
17	2	1AFBP3298	HEX CAP SCREW, 5/8"-11 X 5-1/2", GRADE 5, PLATED
18	2	1AFBP3504	PIN, HAIRCLIP, 1/8"
19	6	1AFBP3615	NUT, HEX LOCK, 5/8"-11, GRADE 8, PLATED
20	2	1AFBP3644	NUT, HEX LOCK, 5/16"-18, TOP LOCK



Rear

IMPORTANT: Install new safety decals and reflectors if the old decals and reflectors are destroyed, lost, painted over or cannot be read. When parts are replaced that have decals or reflectors, make sure you install a new decal with each new part.



1AQAP2914

WARNING

HIGH-PRESSURE FLUID HAZARD

To prevent serious injury or death:

- Relieve pressure on system before repairing or adjusting or disconnecting.
- Wear proper hand and eye protection when searching for leaks. Use wood or cardboard instead of hands.
- Keep all components in good repair.

AP 2914

White Reflectors
1AQAT000000

DANGER

To prevent serious injury or death:

- Before performing maintenance between the frame rails, the trailer should be hooked to tractor on a level surface, fully dumped, then hydraulic hoses uncoupled.
- If service requires the tub to be partially dumped refer to owner's manual for proper safety procedures.

AP 4361

1AQAP4361

CAUTION

Side Dump Checklist and Operating Instructions

- 1. First Time Hookup**
 - A. Connect air lines and set trailer brakes after backing under trailer.
 - B. Check king pin hookup on fifth wheel.
 - C. Connect light cord and check all lights.
 - D. Close and lock hooks on one side of trailer. Open and lock hooks on other side of trailer.
 - E. Connect hydraulic lines and fill tub part way several times to fill hydraulic cylinder, rereck hydraulic fluid.
 - F. Check wheel lubrication level.
- 2. 1000 Mile Check List**
 - A. Tighten all axle u-bolts (300 to 350 ft. lbs. torque) and suspension bolts.
 - B. Check mounting bolts on landing gear or stands.
 - C. Check wheel seals for leaks.
- 3. Ongoing Maintenance**
 - A. Keep tires properly inflated and matched.
 - B. Check wheel lubrication for proper oil level. **DO NOT OVERFILL!**
 - C. Grease hydraulic cylinder pivots, tub pivots and brake camshafts.
 - D. Drain water from air tank.
 - E. Load should be evenly distributed on trailer.
 - F. **DO NOT OVERLOAD TRAILER.**
 - G. Check suspension bolts at 90 day intervals.

AP 3670

1AQAP3670

DANGER

To prevent serious injury or death:

- Close and lock tub latches on pivot side. Open and lock tub latches on opposite side.
- Operator must remain at controls in cab during dumping operations.
- Stand clear of tub body when operating.
- Stand clear of load during dumping operation.
- Do not attempt to dump load on uneven or unstable ground.
- Do not dump load too slowly. Tub should dump in 20 seconds or less.
- Do not stop cylinder extension in middle of cycle, equipment may upset.
- Cylinders must be fully retracted while vehicle is unattended or unhitched from tractor.
- Do not perform maintenance on tub body without physically blocking body and cylinders to prevent lowering.

AP 3669

1AQAP3669

1AQAP3669 (1) DANGER (Load Dumping Safety) 8"W x 5-1/2"L

1AQAP3670 (1) CAUTION (Side Dump Checklist and Operating Instructions) 6"W x 7"L

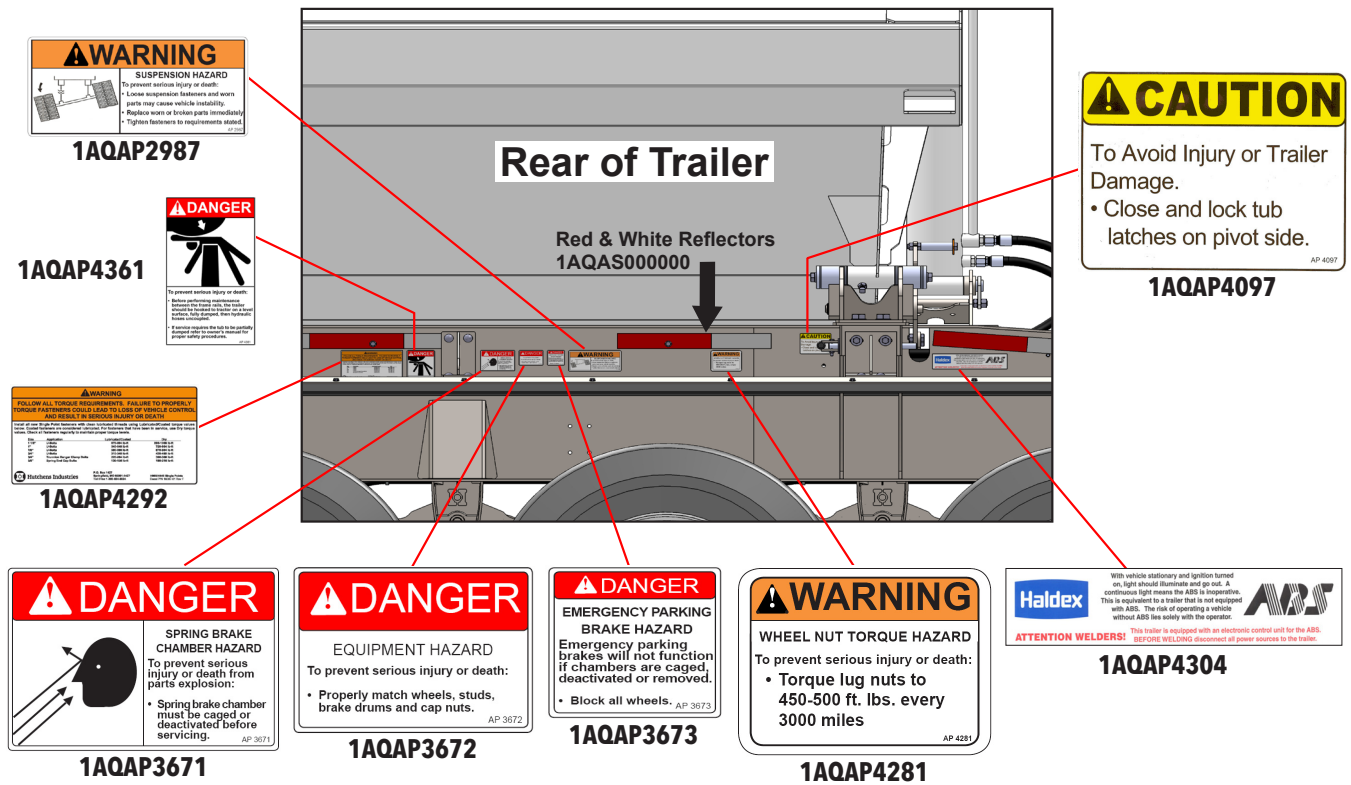
1AQAP2914 (1) WARNING (High Pressure Fluid) 4"W x 4"L

1AQAP4361 (2) DANGER (Frame Area Maintenance) 3"W x 6-1/4"L

***1AQAT000000 (4) White Conspicuity Tape, 2" Wide**

***White Conspicuity Tape is located at both sides of both ends of tub.**

NOTE: New decals and reflectors are available from your dealer.



IMPORTANT:

Install new safety decals and reflectors if the existing decals and reflectors are destroyed, lost, painted over, or cannot be read. When parts are replaced that have decals or reflectors, make sure you install a new decal with each new part.

- 1AQAP2987 (1) Decal, WARNING, Suspension Hazard
- * 1AQAP3673 (2) Decal, DANGER Emergency Parking Brake Hazard
- * 1AQAP3672 (2) Decal, DANGER Equipment Hazard
- * 1AQAP3671 (2) Decal, DANGER Spring Brake Chamber Hazard
- 1AQAP4097 (2) Decal, CAUTION, lock tub latches
- 1AQAP4281 (1) Decal, WARNING, Wheel Nut Torque
- † 1AQAP4292 (1) Decal, Hutch Suspension Torque, Orange/Black
- 1AQAP4304 (1) Decal, Haldex ABS Light/ATTN Welders
- 1AQAP4361 (2) Decal, Frame Area Maintenance, Trailer
- ‡ 1AQAP4556 (1) Decal, Holland CBX Swing Align Instruction
- ‡ 1AQAP4557 (1) Decal, Holland CBX Torque Specs

- * Safety decals are located at the rear of the trailer on both sides.
- † Spring Ride Trailers only.
- ‡ Air Ride Trailers only.

HOW TO APPLY SAFETY DECALS:

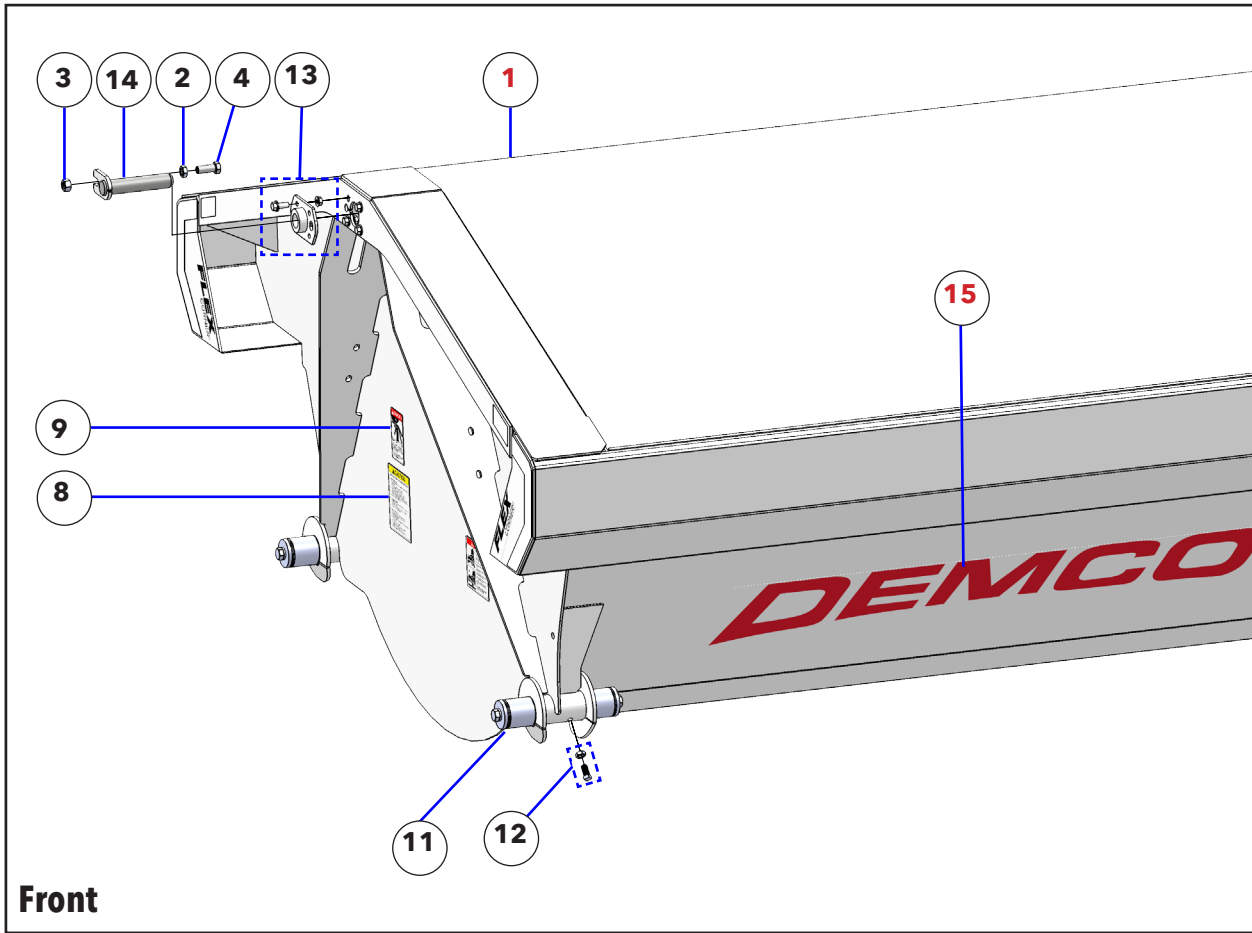
1. Be sure that the installation area is clean and dry.
2. Be sure temperature is above 50°F(10°C).
3. Decide on exact position before removing the backing paper.
4. Remove smallest portion of split backing paper.
5. Align decal over specified area and carefully press the small portion with the exposed adhesive in place.
6. Slowly peel back remaining paper and carefully smooth remaining portions of decal into place.
7. Small air pockets can be pierced with a pin and smoothed out using a piece of decal backing paper.



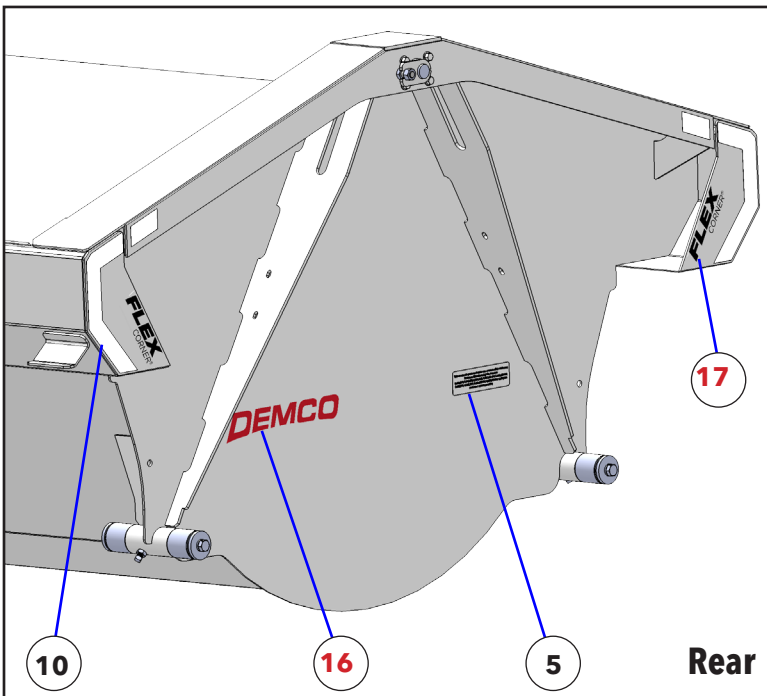
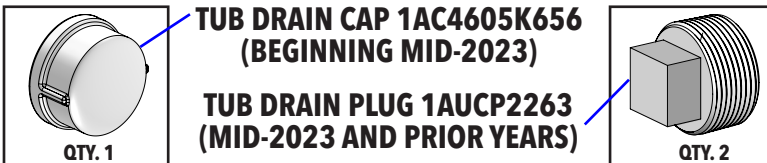
1AQAP4556

CBX / CB FIXED FRAME TRAILER AIR SUSPENSION TORQUE SPECIFICATIONS				
Torques are with clean, lubricated threads. Always apply torque to nut, if possible.				
Fastener Size	Pinch Connection	Shock	Air Spring	Strut/Airline
1/2"	3/4"	1/2"	3/4"	1/2"
450-500 (200-225)	140-175 (60-75)	30-40 (11-14)	40-60 (15-21)	50-60 (20-21)

1AQAP4557



Front



Rear

⚠ DANGER

To prevent serious injury or death:
• Before performing maintenance between the frame rails, the trailer should be hooked for tractor on a level surface, fully dumped, then hydraulic hoses disconnected.
• If service requires the tub to be partially dumped refer to manual for proper safety procedures.

1AQAP4361

9

⚠ DANGER

To prevent serious injury or death:
• Close and lock tub latches on opposite side. Open and lock tub latches on opposite side during dumping operation.
• Stand clear of tub body when operating.
• Do not attempt to dump load on uneven or unstable ground.
• Do not dump load too slowly. Tub should dump in 25 seconds or less.
• Do not stop cylinder extension in middle of cycle; equipment may upset.
• Cylinders must be fully retracted while vehicle is unattended or unattended from tractor.
• Do not perform maintenance on tub body without physically strapping body and cylinders to prevent lowering.

1AQAP3669

7

⚠ CAUTION

Side Dump Checklist and Operating Instructions

- Pre-Trip Testing
 - Connect air lines and set trailer brakes after backing onto level.
 - Check king pin height on fifth wheel.
 - Connect fifth air and check all lights.
 - Check and lock brakes on one side of trailer.
 - Open and lock latches on other side of trailer.
 - Connect hydraulic lines and fill tank per rear manual to fill hydraulic cylinder; check hydraulic fluid.
 - Check wheel suspension level.
- 100 Mile Check List
 - Tighten all safe bolts (300 to 350 lb. torque) and adjustment bolts.
 - Check mounting bolts on landing gear or stands.
 - Check wheel shaft for loose.
- Ongoing Maintenance
 - Apply proper operating and maintenance.
 - Check wheel suspension for proper air seat (or not) on both sides.
 - Grease hydraulic cylinder pivots, tub pivots and brake camshafts.
 - Draw water from air tank.
 - Look for leaks for hoses distributed on trailer.
 - Check for FLEX-LOCK® Hoses.
 - Check suspension bolts at 90-day intervals.

1AQAP3670

8

⚠ WARNING

HIGH-PRESSURE FLUID HAZARD

To prevent serious injury or death:
• Relieve pressure on system before repairing or adjusting or disconnecting.
• Wear proper hand and eye protection when searching for leaks. Use wood or cardboard instead of hands.
• Keep all components in good repair.

1AQAP2914

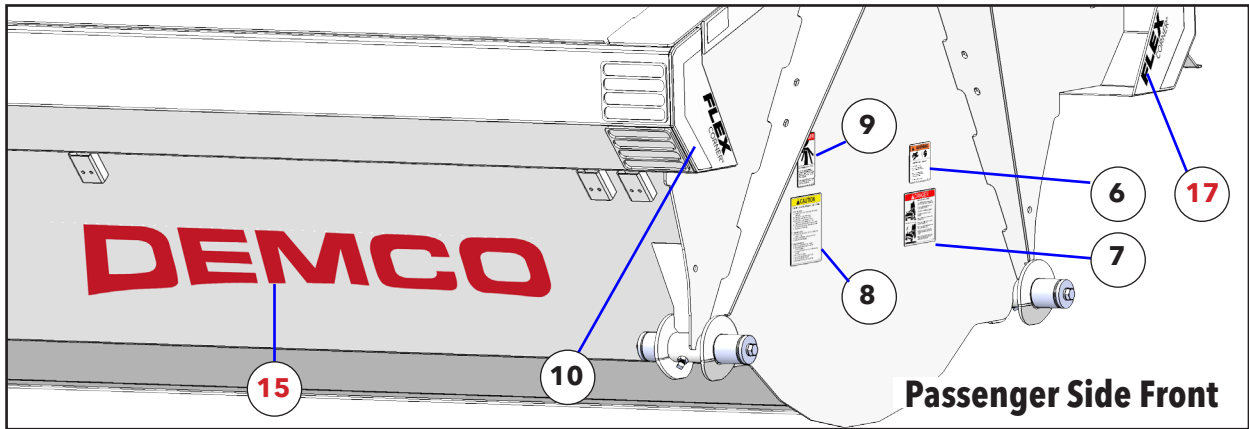
6

This product is protected under one or more of the following Demco Patents:
5,480,214; 5,845,971; 6,257,670 B1; 6,402,453 B1;
6,425,726; 6,428,264; 6,488,340 B2; 6,520,589 B2; 6,554,384
and other patents pending

5

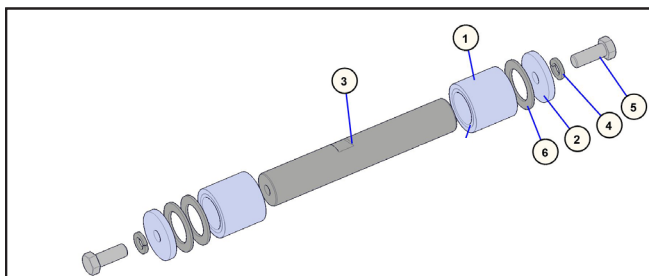
1AQAP2491

TUB COMPONENTS -- 20' TUB



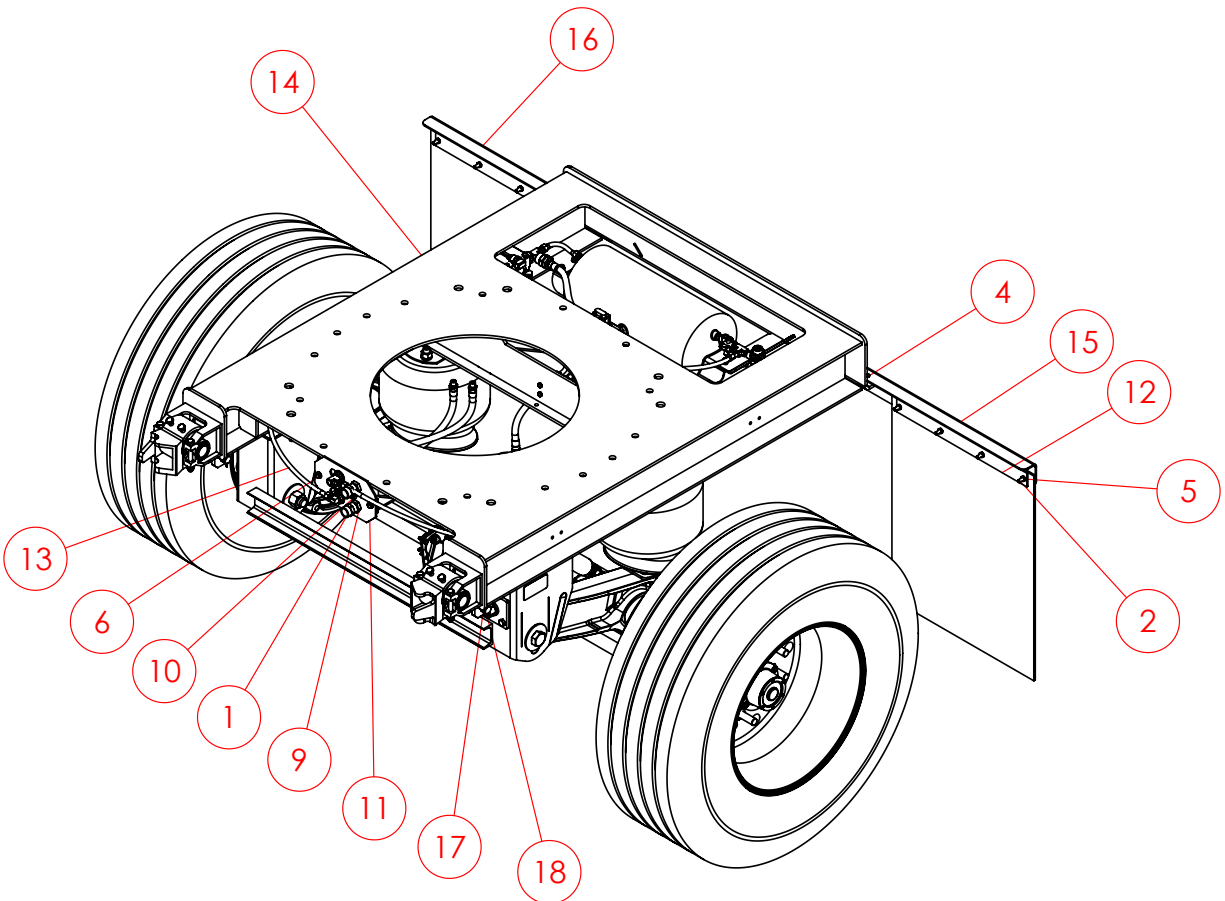
BOM ID	Qty	Item No	Description
1	1	5C000275	MY24 20' TUB, 1/4" AR450
1	1	5C000209	MY24 20' TUB, 3/16" AR450
2	2	1AFBP3107	NUT, HEX JAM, 3/4"-10, GR 2, PLTD
3	2	1AFC05L0005	NUT, HEX LOCK, 3/4"-10, GR 2, PLTD
4	2	1AFC12LBAH8	HEX BOLT, 3/4-10 x 2-1/2, GR 8, YELLOW ZINC
5	1	1AQAP2491	DECAL, PATENT PROTECTION, 8-1/2"W X 2-1/2"L
6	1	1AQAP2914	DECAL, WARNING (HIGH-PRESSURE FLUID) 4"W X 4"L
7	1	1AQAP3669	DECAL, DANGER (LOAD DUMPING SAFETY) 8"W X 5-1/2"L
8	1	1AQAP3670	DECAL, CAUTION (SIDE DUMP CHECKLIST & INST) 6"W X 7"L
9	1	1AQAP4361	DECAL, DANGER (FRAME AREA MAINT) 3"W X 6-1/4"L
10	4	1AQAT000000	WHITE CONSPICUITY TAPE, 2" WIDE
11	4	4CFK2005	PIVOT PIN & BUSHING KIT (See sub-assembly parts list below)
12	4	4CAAM7991	ASSEMBLY, SET SCREW & JAM NUT, 5/8"-11 X 1-1/4", PLTD
12A	4	1AFBP3080	NUT, HEX JAM, 5/8"-11, GR 2, PLTD
12B	4	1AFBP3673	SET SCREW, SQ HEAD, 5/8"-11 X 1-1/4", PLTD
13	2	5C000015	ADJUSTABLE TOP CYLINDER MOUNT ASSEMBLY
13A	4	1AFC08H0000	NUT, HEX SERRATED FLANGE, 1/2"-13, PLTD
13B	4	1AFC37HAAD5	HEX CAP SCREW, 1/2"-13 X 1-1/4", SERRATED FLANGE HD, PLTD
14	2	5CAM9057	PIN, CYLINDER, 1-1/2" X 7-1/8", ANTI-ROTATION, PLTD
15	2	DE21026	DECAL, DEMCO LOGO, X-LARGE RED
15	2	DE21027	DECAL, DEMCO LOGO, X-LARGE WHITE
16	1	DE21004	DECAL, DEMCO LOGO, SMALL WHITE
16	1	DE21005	DECAL, DEMCO LOGO, SMALL RED
17	4	DE21024	DECAL, FLEX CORNER, BLACK
17	4	DE21025	DECAL, FLEX CORNER, WHITE,

NOTE: A **RED BOM ID#** indicates an option.



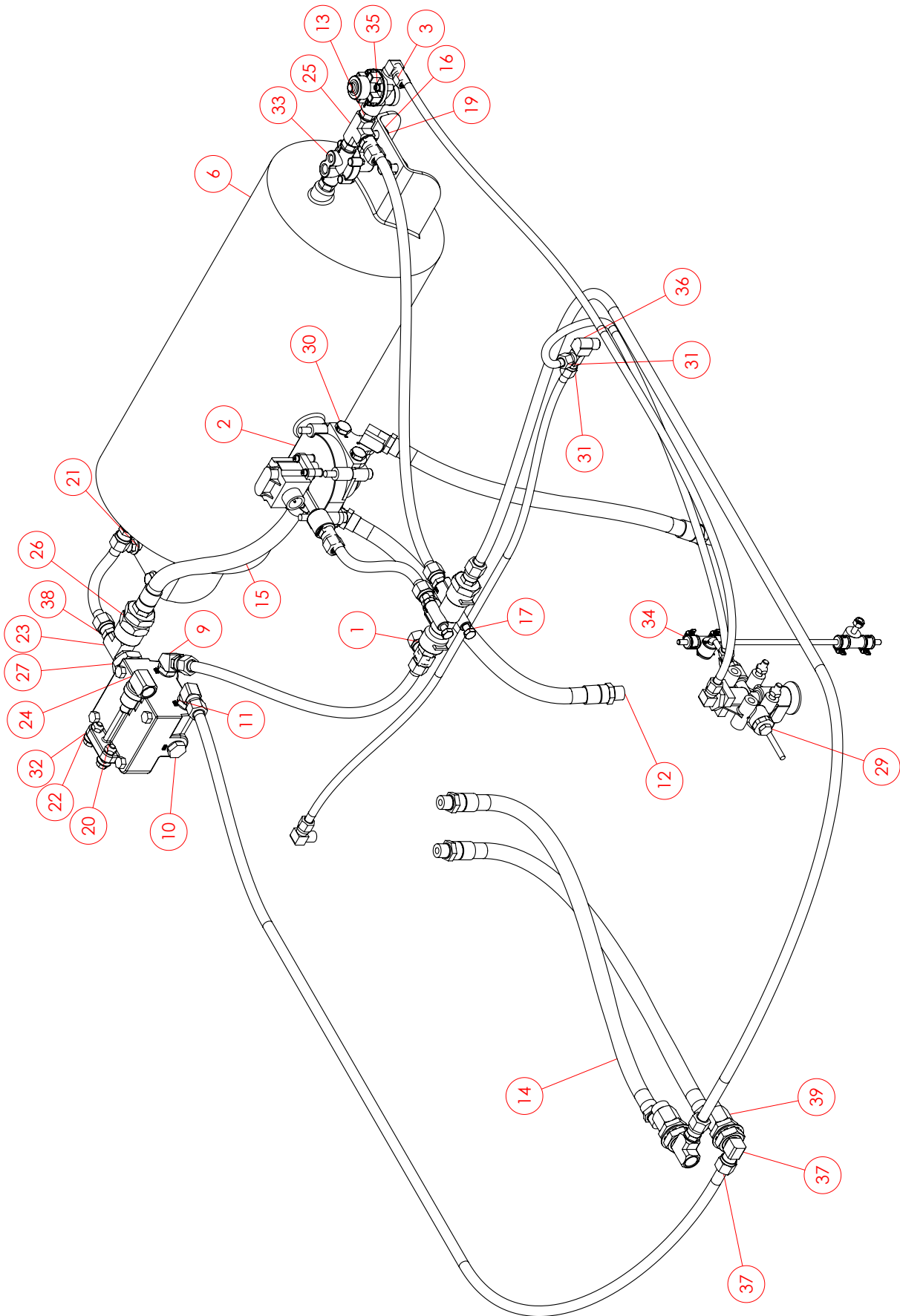
4CFK2005 PIVOT PIN & BUSHING KIT			
BOM ID	Qty	Item No	Description
1	2	4CAAM7990	ASSEMBLY, TUB PIVOT BEARING
2	2	3CAM9026	WASHER, PIVOT PIN
3	1	1AUAM9136	PIVOT PIN, 2" X 12-1/8" OAL, PLTD
4	2	1AF015L0000	WASHER, LOCK, 3/4", PLTD
5	2	1AFBP3139	HEX CAP SCREW, 3/4"-10 X 2", GR 5, PLTD
6	3	1AFBP3599	MACHINERY BUSHING, 3" OD X 2" ID X 10 GA, PLTD

BOM ID	Qty	Item No	Description
1	2	1ACDP6307	COUPLING, 12FP-12FO, 5000-12
2	8	1AFBP3005	HEX CAP SCREW, 3/8"-16 X 1-1/2", GR.5, PLTD
3	2	1AFBP3403	PIN, CLEVIS, 1 X 2-3/4 USEABLE
4	4	1AFBP3511	PIN, COTTER, 3/16 X 1-3/4
5	2	1AFBP3587	1/4" NYLOCK NUT
6	2	1AFBP3600	HEX CAP SCREW, 1/4-20 X 1 GR.8, PLTD
7	10	1AFBP3612	NUT, HEX LOCK, 3/8-16, TOP LOCK
8	2	1AFBP3692	BOLT, FLNG HEAD, 3/8-16 X 1, GR.8, PLTD
9	2	1AFC12HAAH8	HEX CAP SCREW, 1/2-13 X 1-1/2 GR.8, PLTD
10	2	1AFC18H0000	1/2" NYLOCK NUT
11	2	1AKDP6495	BULKHEAD ADAPTER W/NUT, 12MP-12MJ, 2706-LN-12-12
12	2	1ARAP4045	GROMMET, 3/4 ID G3137-016
13	1	3C000133	HOSE MOUNT PLATE, DOLLY
14	2	3CAM9035	MUD FLAP BACKING STRIP
15	1	3CAM9240	MUD FLAP MOUNT, DOLLY, ROAD SIDE
16	1	3CAM9241	MUD FLAP MOUNT, DOLLY, CURB SIDE
17	1	4C000035	TT-CR-101AR AIR LINE & COMP. SUB-ASSY
18	1	5C000126	CHASSIS, TURNTABLE DOLLY, SINGLE AXLE AIR RIDE

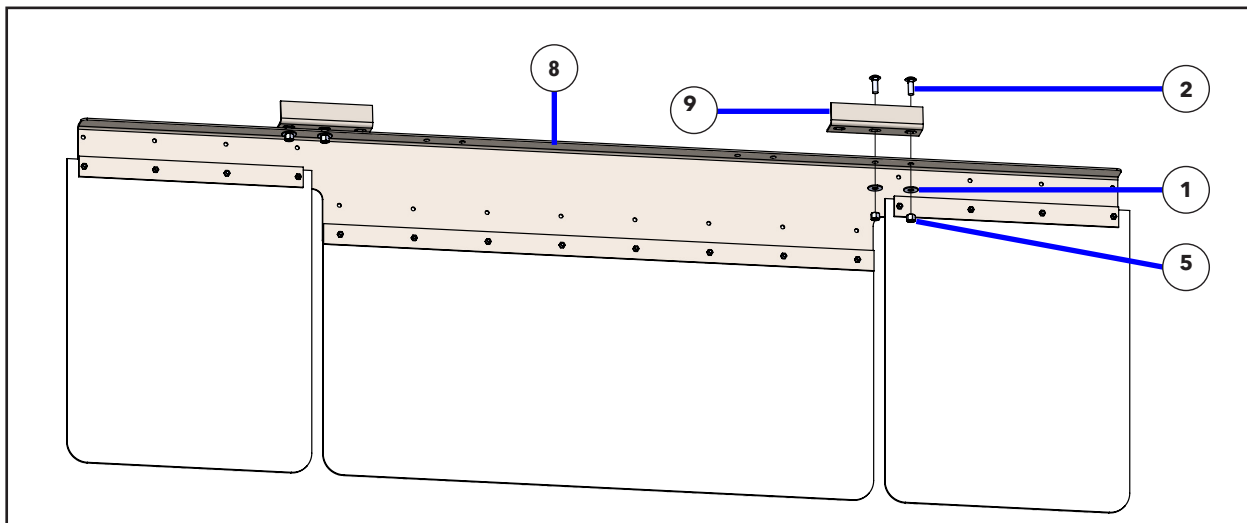
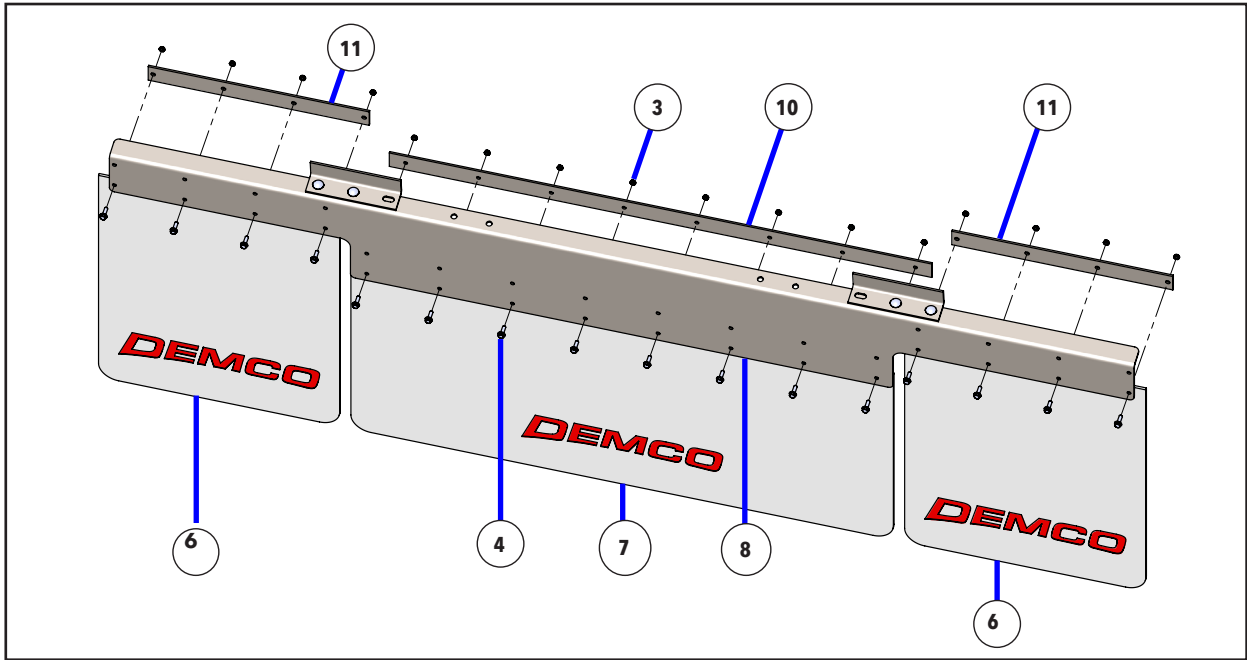


TURNTABLE DOLLY AIR LINE & COMPONENTS (4C000035)

BOM ID	Qty	Item No	Description
1	1	1AAAP4347	VALVE, SEALCO 110376
2	1	1AAAP4380	VALVE, ABS, 6 PORT, HALDEX 364141112
3	4	1AB0CL38140	ELBOW, 1/4" MP X 3/8" TUBE, 90, BRASS
4	1	1AB0DDRAIN0	DRAIN COCK, 1/4" NPT
5	21	1ABAP3537	NYLON TUBING, RED, 1/2"
6	1	1ABAP3554	AIR TANK, 1488 CU IN
7	21	1ABAP3635	NYLON TUBING, BLUE, 1/2"
8	9	1ABAP3683	NYLON TUBING, YELLOW, 3/8"
9	1	1ABAP3688	STREET ELBOW, 3/8", 45 DEGREE
10	1	1ABAP3693	HEX PLUG, 1/2", BRASS
11	3	1ABAP3698	HEX BUSHING, 1/2 X 3/8, BRASS
12	2	1ABAP3735	HOSE, 1/2 AIR BRAKE X 20, 3/8MP-3/8MPX
13	3	1ABAP4201	NIPPLE, HEX REDUCER, 3/8 MP X 1/4 MP, BRASS
14	2	1ABAP4210	HOSE, 1/2 AIR BRACKET X 26 3/8MP-3/8MPX
15	1	1ABAP4470	HOSE, 1/2 AIR BRAKE X 14, 3/8MP-3/8MPX
16	4	1AF009F0000	WASHER, FLAT, 3/8", PLTD
17	2	1AFBP3111	HEX CAP SCREW, 5/16-18 S 2-1/2, GR.5, PLTD
18	2	1AFBP3584	BOLT, TERMINAL, HB646
19	4	1AFBP3612	NUT, HEX LOCK, 3/8-16, TOP LOCK
20	4	1AFBP3644	NUT, HEX LOXK, 5/16-18, TOP LOCK
21	4	1AFBP3692	BOLT, FLNG HEAD, 3/8-16 X 1, GR.8, PLTD
22	2	1AFBP3709	BOLT, FLNG HEAD, 5/16-18 X 1, GR.8, PLTD
23	2	1AKAP3531	STREET TEE, 3/8", 90 DEGREES
24	3	1AKAP3532	STREET ELBOW, 3/8", 90 DEGREES
25	1	1AKAP3535	TEE, BRASS PIPE, 3/8"
26	1	1AKAP4349	VALVE, CHECK, 3/8 MP- 3/8 FP, HALDEX N-13526-AG
27	1	1AKAP4350	VALVE, CHECK, 1/2 MP-1/2 FP, HALDEX N-13526-AJ
28	1	1AKAP4397	NIPPLE, HEX REDUCER, 3/4 MP X 1/2 MP, STEEL
29	1	1AKPAAB0000	HEX PLUG, 1/4", BRASS
30	3	1AKPAAC0000	3/8 NPT HEX HEAD PLUG
31	1	1AKTAACAAB0	TEE, RUN, 1/4 MP X 3/8 TUBE X 3/8 TUBE, BRASS
32	1	1ASAP3557	VALVE, RELAY, HALDEX N-30096-PA
33	1	1ASAP4348	VALVE, PRESSURE PROTECTION, DOLLY, HALDEX N-15759-DH
34	1	1ASH1000000	HCV ASSEMBLY
35	1	1ASHP000000	VALVE, AIR PRESSURE PROTECTION W/ FILTER
36	1	1ABAP3709	ELBOW, 90 STREET, BRASS, 1/4"
37	3	1ABAP4199	TUBE, 1/2 X 3/8 MP, 90, NUT & FERRULE, BRASS
38	10	1ABAP4200	TUBE, 1/2 X 3/8 MP, STRT, NUT & FERRULE, BRASS
39	2	1ACAP4399	COUPLING, HEX REDUCER, 1/2FP-3/8FP, BRASS



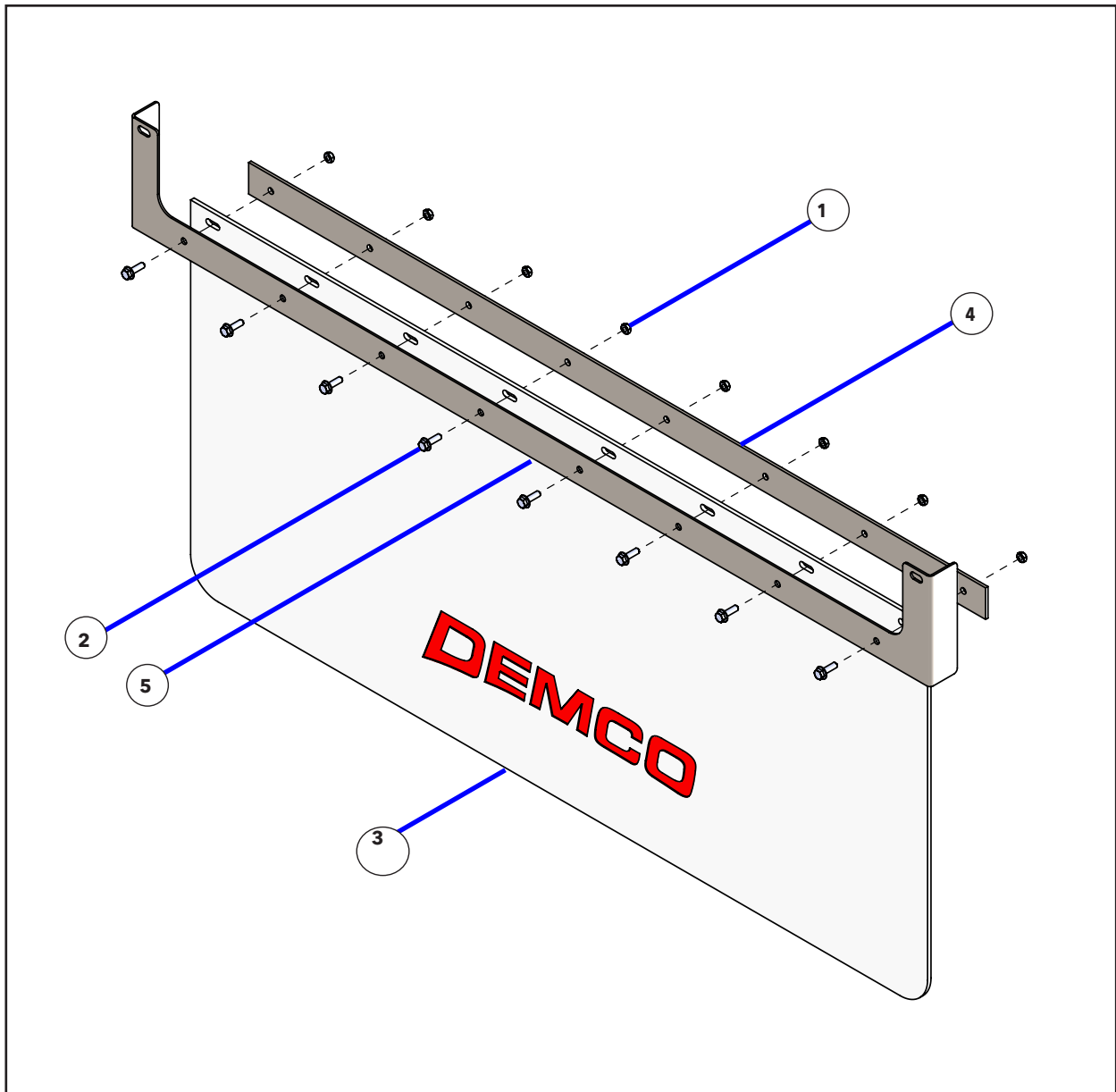
	DESCRIPTION	PART NUMBER	QTY
1	26' PUP TRAILER HARNESS.LIGHT	1AEKK168960	1
2	LICENSE PLATE LAMP	1AEAP4120	1
3	LICENSE PLATE LAMP MOUNTING BRACKET	1AEAP4121	1
4	LAMP, LED, CLEAR/MARKER	1AEAP4310	5
5	2-1/2" ROUND GROMMET	1AEG0010700	5
6	MIDSHIP LIGHT GROMMET	1AEL0607003	4
7	RED 6" OVAL-LED	1AEL6050000	4



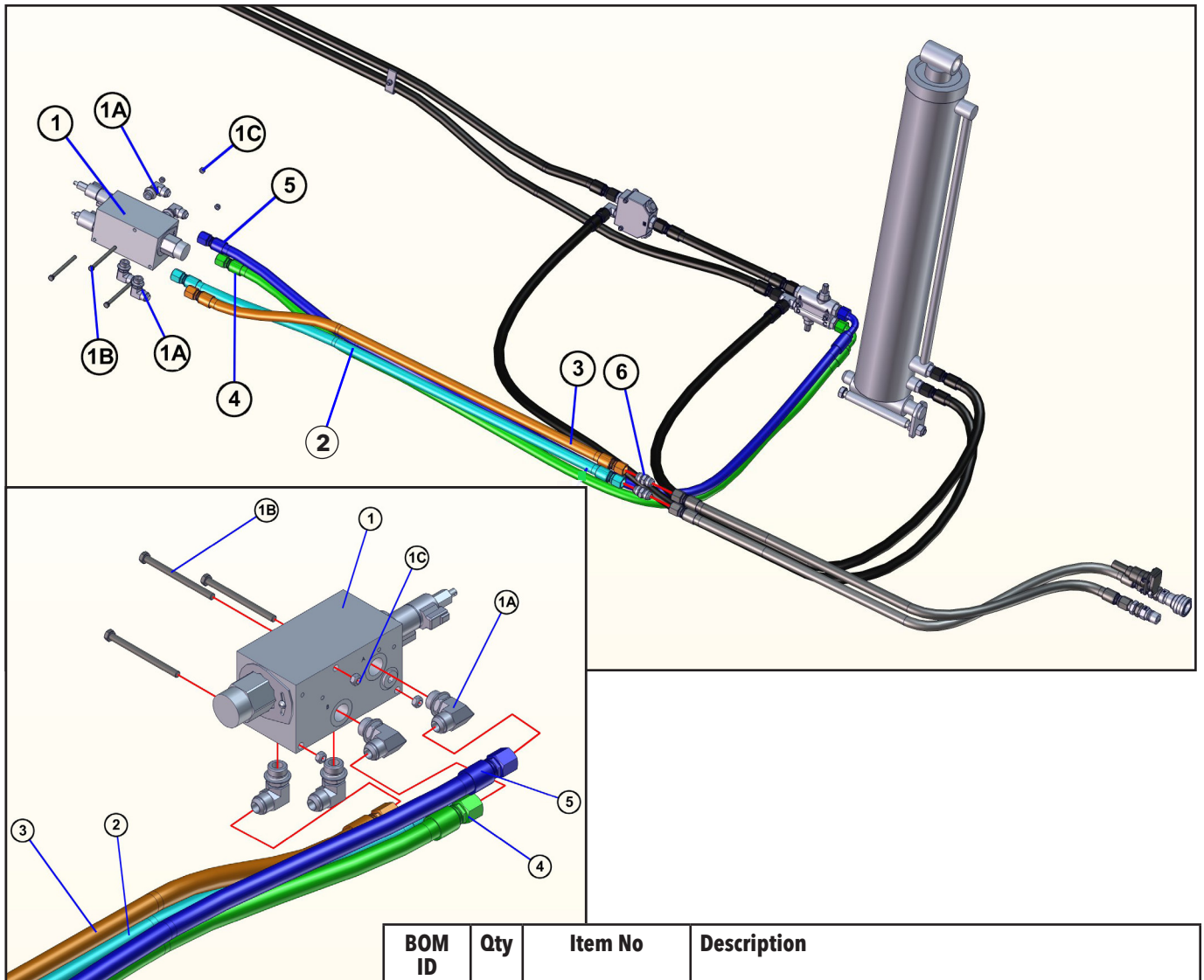
5C000184 (FRONT CENTER MUDFLAP OPTION)

BOM ID	Qty	Item No	Description
1	4	1AF009H0000	WASHER, FLAT, 1/2", PLTD
2	4	1AFBP3232	BOLT, CARRIAGE, 1/2"-13 X 1-1/2", GR 5
3	16	1AFBP3644	NUT, HEX LOCK, 5/16"-18 TOP LOCK, PLTD
4	16	1AFBP3709	BOLT, FLANGE HEAD, 5/16"-18 X 1", GR 8, PLTD
5	4	1AFC18H0000	NUT, HEX LOCK, 1/2"-13, NYLOCK, PLTD
6	2	1AU00000804	MUDFLAP, DEMCO, 24" X 30"
7	1	1AU00000807	CENTER MUDFLAP, 54" X 24.5" W/ LOGO
8	1	3C000178	FRONT CENTER MUDFLAP BRKT
9	2	3C000179	FRONT CENTER MUDFLAP CLAMP
10	1	3C000180	CENTER MUDFLAP BACKING STRAP
11	2	3CAM9035	MUDFLAP BACKING STRAP

CENTER MUDFLAP OPTIONS



5C000186 (REAR CENTER MUDFLAP OPTION)			
BOM ID	Qty	Item No	Description
1	8	1AFBP3644	NUT, HEX LOCK, 5/16"-18 TOP LOCK, PLTD
2	8	1AFBP3709	BOLT, FLANGE HEAD, 5/16"-18 X 1, GR 8, PLTD
3	1	1AU00000807	CENTER MUDFLAP, 54" X 24.5" W/ LOGO
4	1	3C000180	CENTER MUDFLAP BACKING STRAP
5	1	5C000185	REAR CENTER MUDFLAP BRKT WELDMENT



BOM ID	Qty	Item No	Description
1	1	1AAAP4543	VALVE, EOH, TRAILERPRO 302-578
1A	4	1AKDP6538	ADAPTER, 12MJ-12MSAE 90 DEGREE, 6801-12
1B	3	1AFBP3118	HEX CAP SCREW, 3/8"-16 X 5", GR 5, PLTD
1C	3	1AFBP3612	NUT, HEX LOCK, 3/8"-16, TOP LOCK, GR C, PLTD
2	1	1AKDP6546	HOSE, HYDRAULIC, 3/4" X 57", 12FJX-12FJX
3	1	1AKDP6554	HOSE, HYDRAULIC, 3/4" X 53", 12FJX-12FJX
4	1	1AKDP6614	HOSE, HYDRAULIC, 3/4" X 105", 12FJX-12FJX90
5	1	1AKDP6615	HOSE, HYDRAULIC, 3/4" X 108", 12FJX-12FJX90
6	2	1AKDP4388	UNION, 12MJ-12MJ, 2403-12

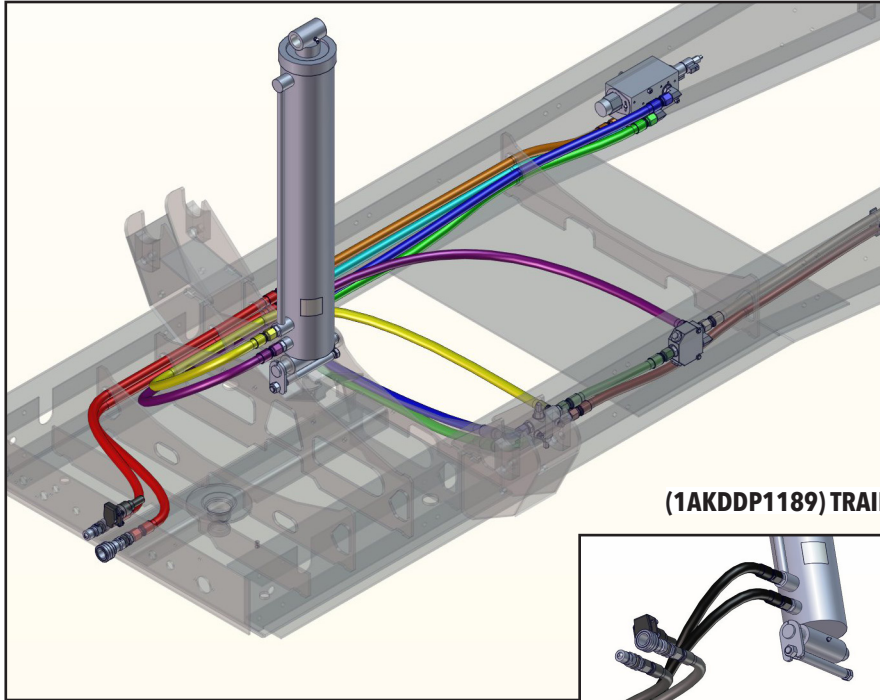
TO CONVERT YOUR SIDE DUMP TO TRAILER PRO ELECTRIC CONTROLS, CONTACT YOUR DEALER FOR COMPLETE KIT AND PRICING FOR **4CFK2018 (KIT, TRAILER PRO, EOH VALVE ADD-ON)**.

TO ADD A CONTROL BOX TO A SECOND TRACTOR:
CONTACT YOUR DEALER FOR
4CFK2017 (KIT, TRAILER PRO CONTROL BOX FOR 2ND TRACTOR, W/ROLL-RITE)
FOR DEMCO SIDE DUMPS EQUIPPED WITH ROLL-RITE TARPES;

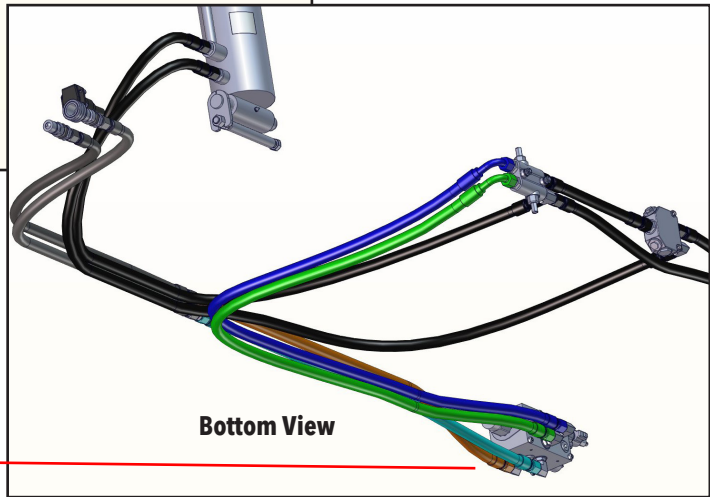
-OR-

CONTACT YOUR DEALER FOR
4CFK2016 (KIT, TRAILER PRO CONTROL BOX FOR 2ND TRACTOR, W/AERO)
FOR DEMCO SIDE DUMPS EQUIPPED WITH AERO TARPS.

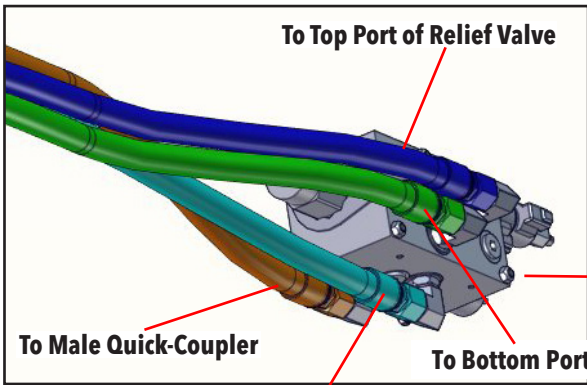
ELECTRIC OVER HYDRAULIC (EOH) TRAILER PRO KIT



(1AKDDP1189) TRAILER PRO HOSE KIT; 4CFK2018



Bottom View

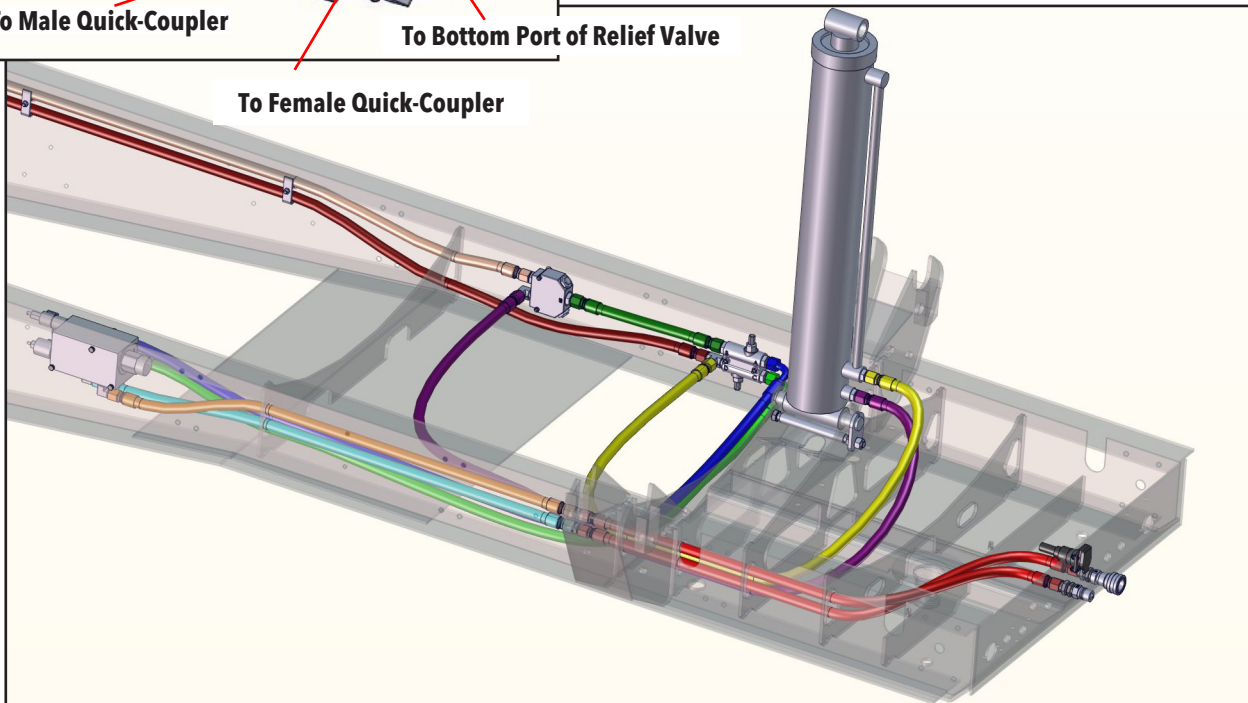


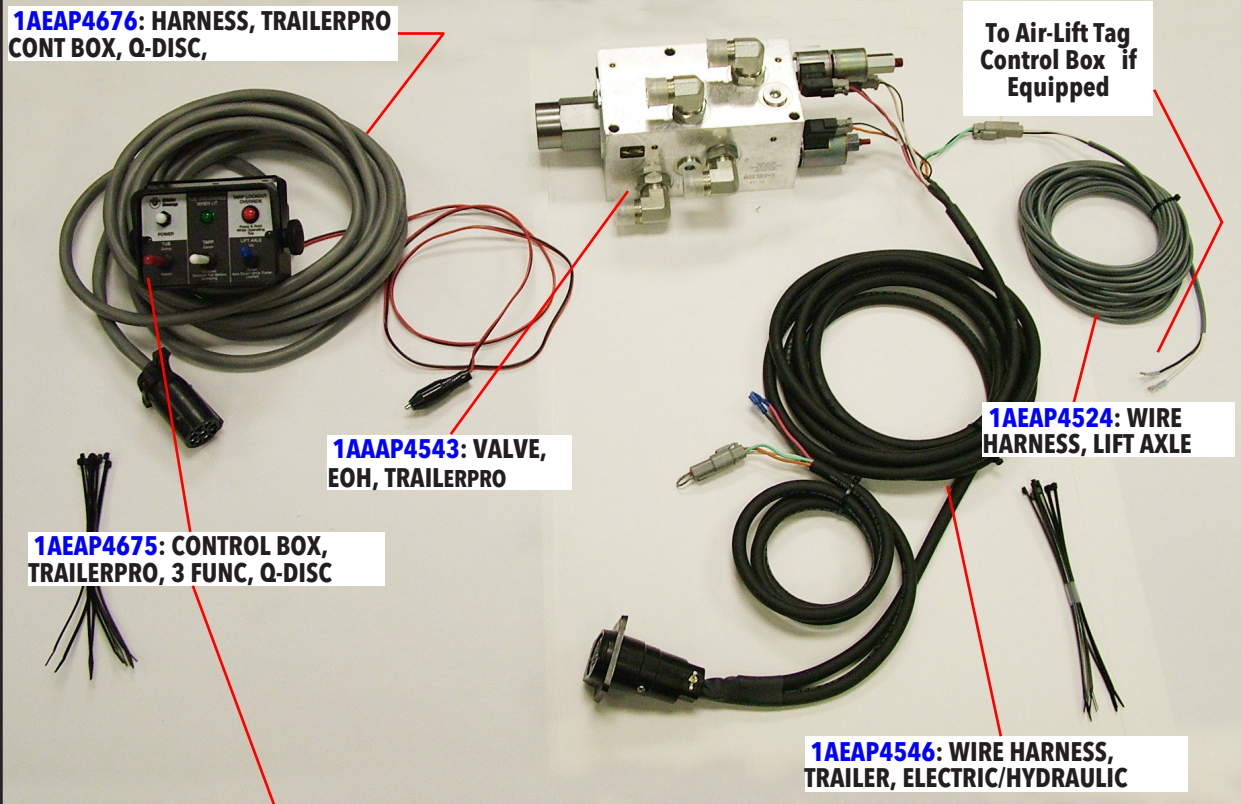
To Top Port of Relief Valve

To Male Quick-Coupler

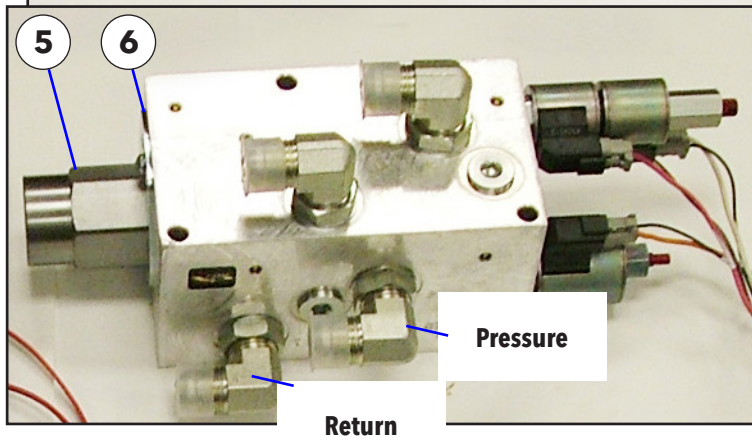
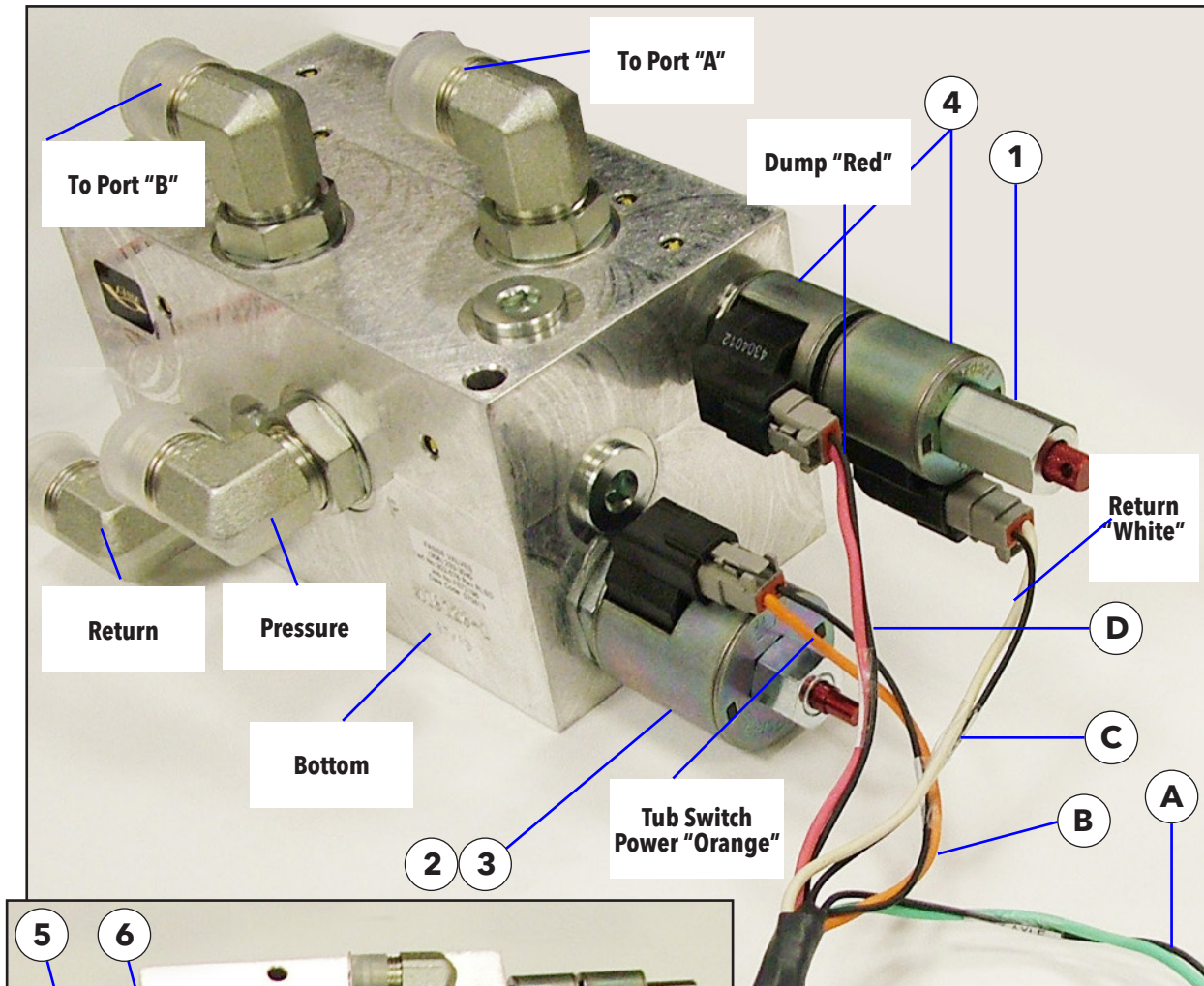
To Bottom Port of Relief Valve

To Female Quick-Coupler





ELECTRIC OVER HYDRAULIC (EOH) TRAILER PRO KIT



BOM ID	Color	Connection
A	GREEN / BLACK	TO LIFT AXLE
B	ORANGE / BLACK	FLOW CONTROL COIL
C	WHITE / BLACK	DIRECTIONAL CONTROL COIL
D	RED / BLACK	DIRECTIONAL CONTROL COIL

BOM ID	Qty	Item No	Description
1	1	1AAAP4590	CARTRIDGE, EOH VALVE, DIRECTIONAL, 273-982
2	1	1AAAP4591	CARTRIDGE, EOH VALVE, FLOW CONTROL, 273-339
3	1	1AAAP4605	COIL, EOH VALVE, 1.81" OD, FLOW CONTROL, 10V, 253-800
4	2	1AAAP4606	COIL, EOH VALVE, 1.43" OD, DIRECTIONAL, 10V, 253-071
5	1	1AK00273340	CARTRIDGE, HYD, HPD42-S67C, 273-340
6	1	1AK00273341	LOCK NUT ADAPTER, CARTRIDGE HYD, 273-341

Installing the Control Box in the Tractor

Find a suitable location in the cab of the tractor and mount the control box. The red and black two wire cable attached to the back of the box is the power cable. Plug the cigarette lighter end into a power outlet in the cab.

If you do not have an available outlet for the cigarette lighter end, use the following instructions:

- Cut the cigarette lighter plug off.
- Split apart the wires and connect the red wire to a 12 volt dc power source and the black wire to ground.
- A bag of terminals is included to allow you to tap into most fuse panels.



WARNING: Red wire must be positive and black wire negative. Reversing these wires can damage the control system. Route the gray cord and male 9 pole plug out of the cab and to the front bulkhead of the side dump. Plug the cord into the female 9 pole socket on the side dump bulkhead.

Operating the TrailerPro Control Box

To operate your Demco side dump, your tractor will need a hydraulic pump that can supply a minimum of 25gpm to the trailer at 2,500 psi. See page 36 for more information on the tractor's hydraulic requirements.

If your side dump is equipped with a tarp, you will also need to wire a power cord from the tractor's battery to the side dump to supply power to the tarp's motor. For detailed wiring instructions, see page 112 if you have a Roll Rite tarp or page 100-101 for an Aero tarp.

Press the "Power" button to turn the system on. The button will light up to indicate the power is on. Press the button again to turn the system off.

Dumping the Tub

When the green light in the top center is illuminated, the tub can be dumped. (See Tarp Lock Out Option on next page.)

The red switch in the lower left corner operates the tub. To dump the tub, turn on the tractor's hydraulic pump and then lift and hold the red toggle in the "dump" position to raise the tub and empty its contents. Release the switch when the cylinders reach the fully extended position.



WARNING: Do not stop dumping the load in mid dump and then try to return the tub to the transport position. You may tip over the side dump instead of returning the tub. Push and hold the red switch in the "Return" position to bring the tub back to its transport position. Release the switch when the cylinders are fully retracted.

Operating the Tarp (If Equipped)



The white switch in the lower middle operates the tarp. Lift and hold the white switch to unroll the tarp and cover the tub. Push down and hold the switch to roll the tarp and uncover the tub.

WARNING: When rolling the tarp do not continue to hold the switch after the tarp has reached its fully rolled position. Damage to the tarp or the motor can occur when the motor continues to try to roll the tarp after it has reached its fully rolled position.

Operating the Lift Axle (If Equipped)



The blue switch in the lower right corner controls the lift axle option. Lifting the switch to the up position raises the lift axle and pushing the switch down lowers the lift axle. There is a manual control switch for the lift axle in the gray plastic box at the back of the side dump. There is also a regulator in the box that adjusts the amount of weight the lift axle carries. Instructions are printed inside the box.

WARNING: Always lower the lift axle when the side dump is loaded. Damage to the side dump's frame can occur if the side dump is transported loaded with the lift axle in the raised position.

Using the Tarp Lock Out Option

The Tarp Lock Out prevents the tub from being dumped while the tarp is covering the tub. Dumping the contents of the tub while the tarp covers the tub will ruin the tarp and may cause the side dump to tip over.

If your side dump has a tarp and you purchased the tarp lockout option, the green light and the red button in the top row of the control box will be used. The green light will illuminate when the tarp is in the fully rolled up position.

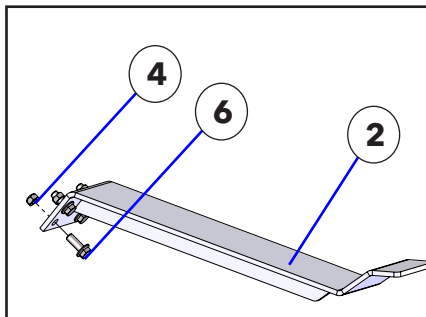
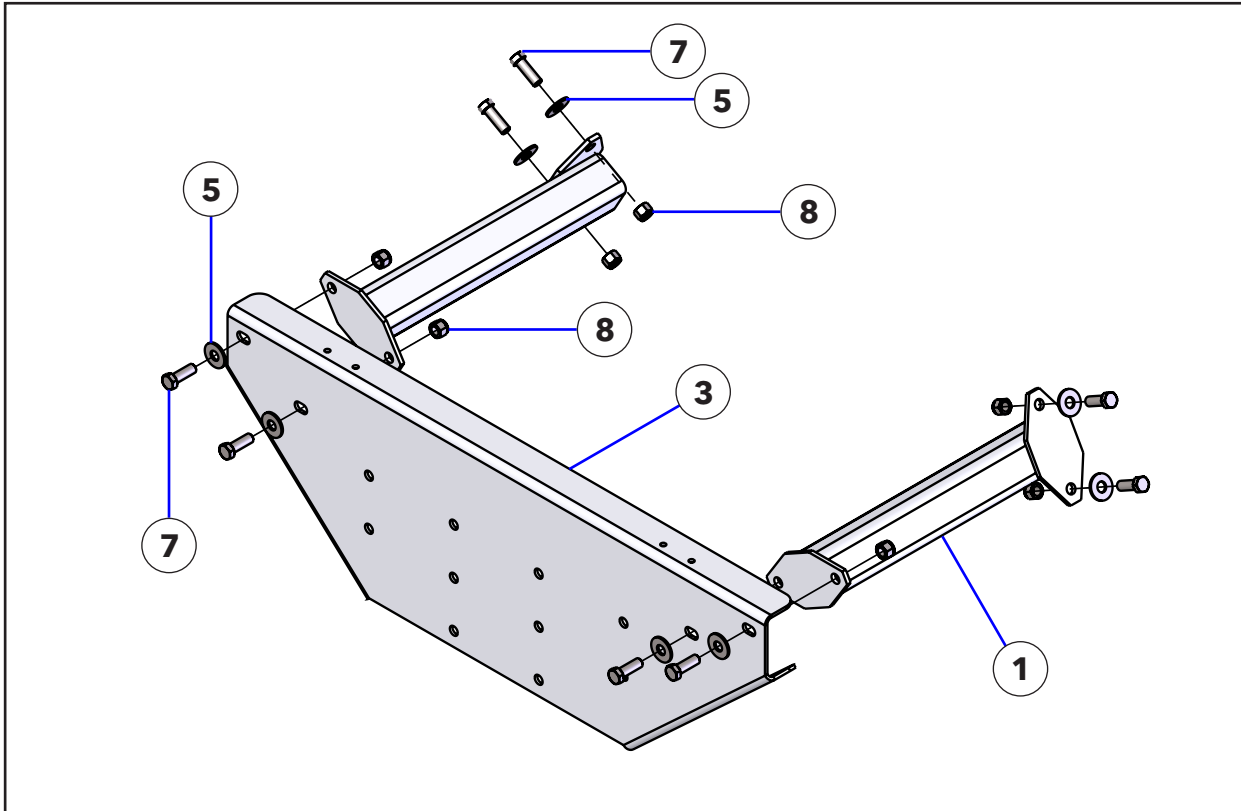
Once the green light is on, the red switch will be able to operate the tub. If the green light is not illuminated the red switch is "locked out" and the tub can't be moved.

The red button will allow you to dump the tub regardless of the position of the tarp. If the sensor for the green light is damaged or fails, or if you want to tip the tub with the tarp unrolled for maintenance, you can push and hold the red button while using the red switch to move the tub.

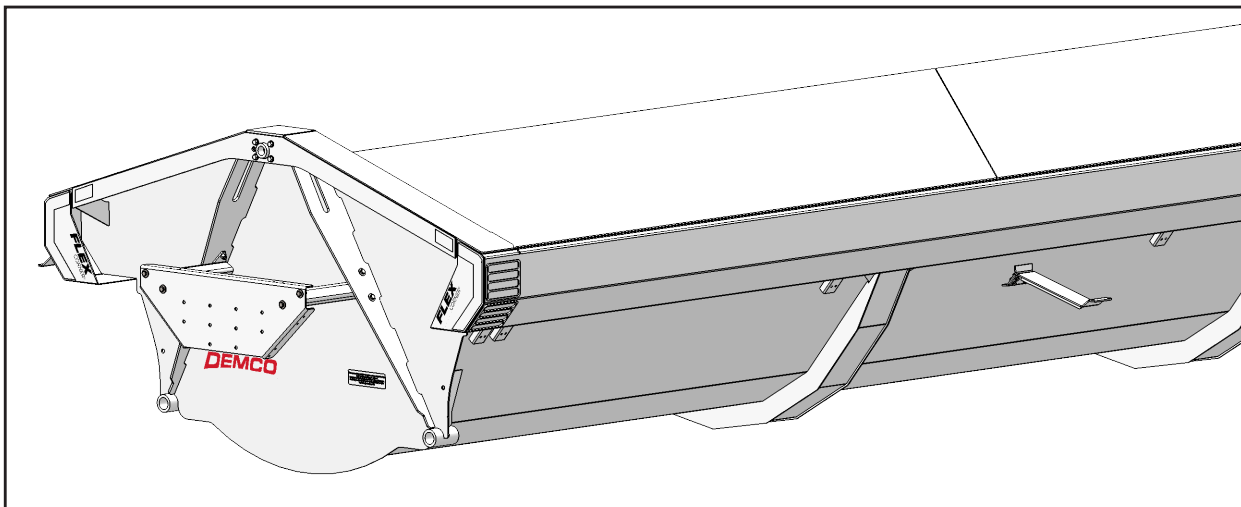
CAUTION: If the Tarp Lock Out option is not installed on your side dump, the green light will be illuminated all the time, regardless of the tarp's position.

The Tarp Lock Out can be added to any side dump with a TrailerPro control box. Contact your Demco Dealer for more information. Specify the brand of tarp you have when placing your order.

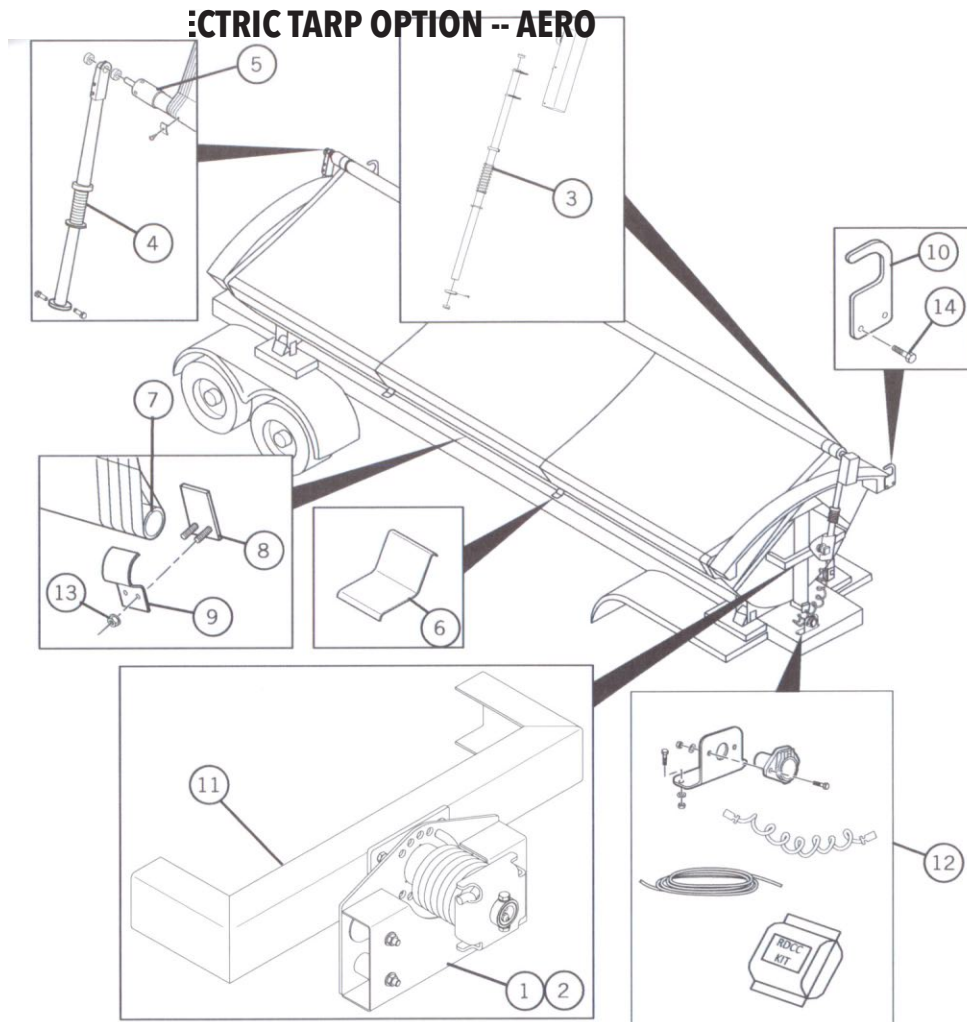
The following Demco mounting parts are needed if an Aero Electric Tarp option is added.



BOM ID	Qty	Item No	Description
1	4	5CAM9038	TARP CHANNEL MOUNT
2	2	5C000008	TARP SUPPORT BRACKET, AERO/ROLL-RITE
3	2	5C000021	AERO TARP MOUNT PLATE ASSY
4	8	1AFBP3612	NUT, HEX LOCK, 3/8-16, TOP LOCK, GR C, PLTD
5	16	1AF009H0000	WASHER, FLAT, 1/2", PLTD
6	8	1AFC12FAA05	HEX BOLT, 3/8-16 X 1", GR 5, PLTD
7	16	1AFC12HAAH8	HEX BOLT, 1/2-13 X 1-1/2", GR 8, PLTD
8	16	1AFC18H0000	NUT, HEX LOCK, 1/2-13, NYLOK, PLTD



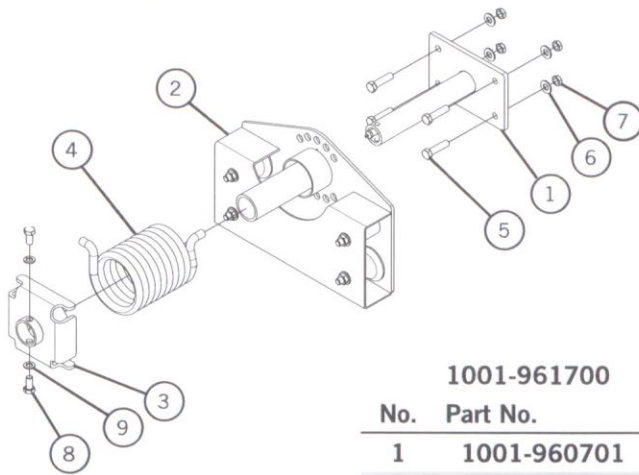
The following pages contain Parts Lists for the Aero Electric Tarp option. For additional questions regarding these parts, contact Aero directly at 1-800-535-9545 or online at www.aeroindustries.com.



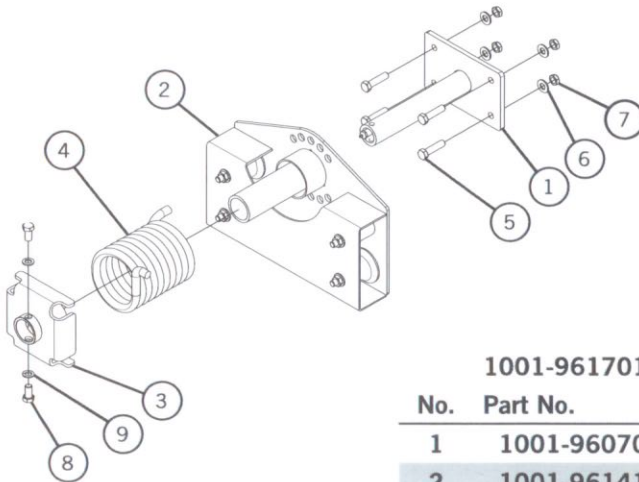
*Roll Tube Assemble includes the Fixed Tube

No.	Part No.	Description	Qty	Page
1	1001-961700	Spring Mount Assembly Front	1	19-20
2	1001-961701	Spring Mount Assembly Rear	1	19-20
3	1001-961703	Front Swing Arm Assembly	1	21-22
4	1001-961705	Rear Swing Arm Assembly	1	23
5	1001-961702	Roll Tube Assemble	1	
6	1001-860166	Tarp Cradle	2	
7	1440-281223	Fixed Tube	2	
8	1001-961304	Quick Release Clamp Weldment	7	
9	1040-960158	Quick Release Clamp	7	
10	1001-861320	Tarp Stop Hook	2	
11		Swing Arm Mounting Hardware		18
12		Electrical Hardware		24
13	0815-660210	5/16-18 Flange Nut	14	
14	0810-650510	5/16 Self-Tapping Screw	4	

Spring Mount Assemblies

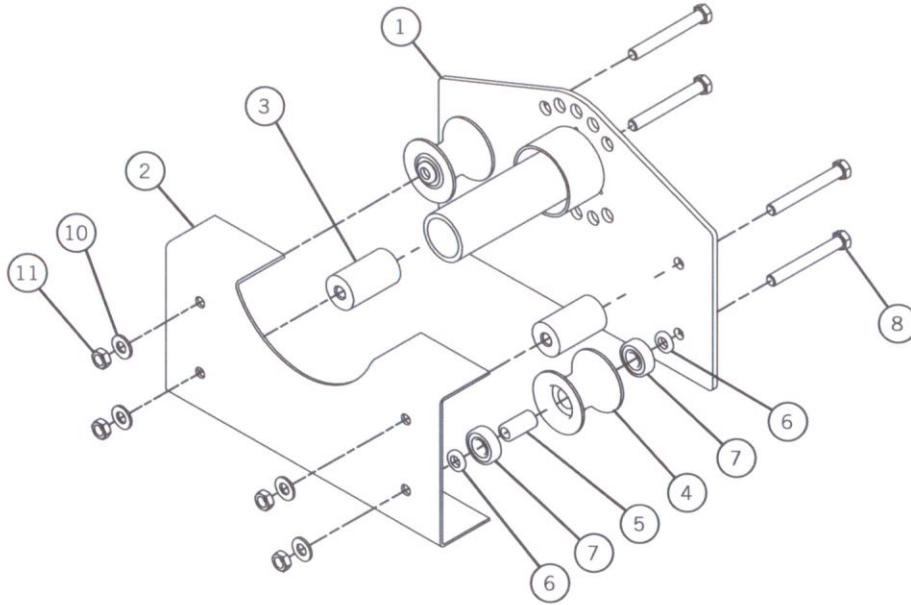


1001-961700		Spring Mount Assembly Front	
No.	Part No.	Description	Qty
1	1001-960701	Spring Mount Post	1
2	1001-961410	Roller Plate Assembly	1
3	1001-960703	Spring Stop Assy	1
4	1001-861408	SK2 Hub Spring LH	1
5	0810-600002	1/2-13 x 2 Hex Bolt	4
6	0820-680810	1/2 Flat Washer	4
7	0815-660127	1/2-13 NYLOCK Hex Jam Nut	4
8	0810-650553	1/2-13 x 3/4 SHCS	2
9	0820-680820	1/2 Lock Washer	2



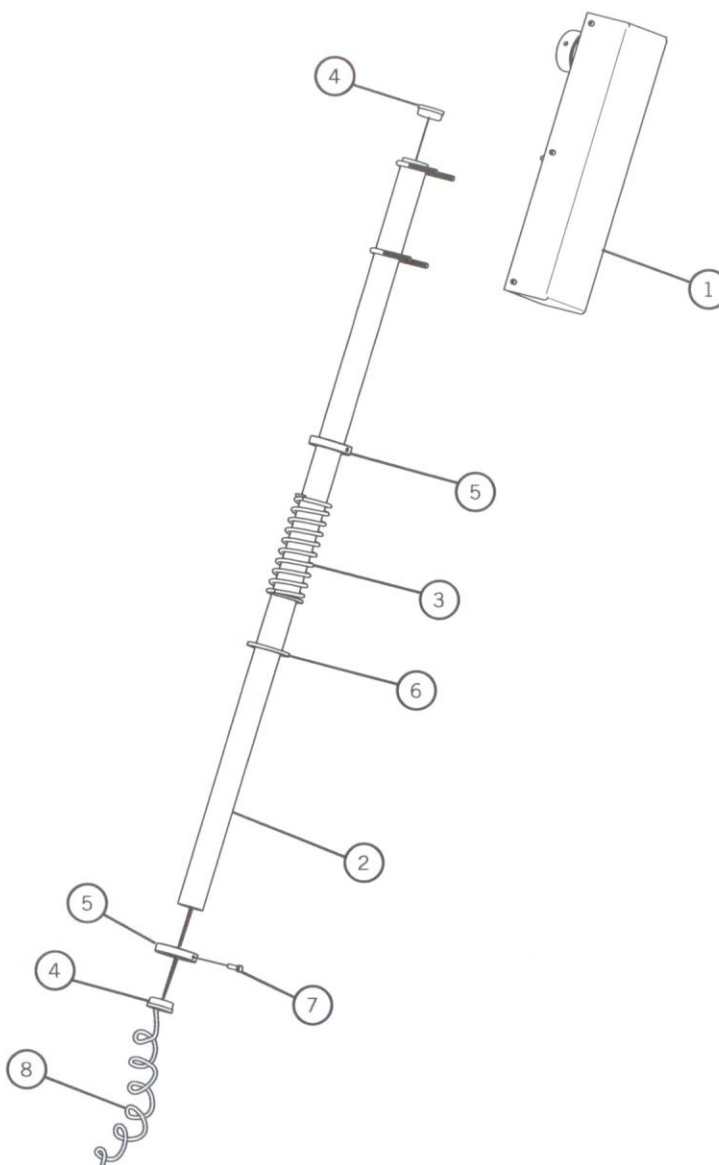
1001-961701		Spring Mount Assembly Rear	
No.	Part No.	Description	Qty
1	1001-960701	Spring Mount Post	1
2	1001-961410	Roller Plate Assembly	1
3	1001-960703	Spring Stop Assy	1
4	1001-861400	SK2 Hub Spring RH	1
5	0810-600002	1/2-13 x 2 Hex Bolt	4
6	0820-680810	1/2 Flat Washer	4
7	0815-660127	1/2-13 NYLOCK Hex Jam Nut	4
8	0810-650553	1/2-13 x 3/4 SHCS	2
9	0820-680820	1/2 Lock Washer	2

Roller Plate Assembly



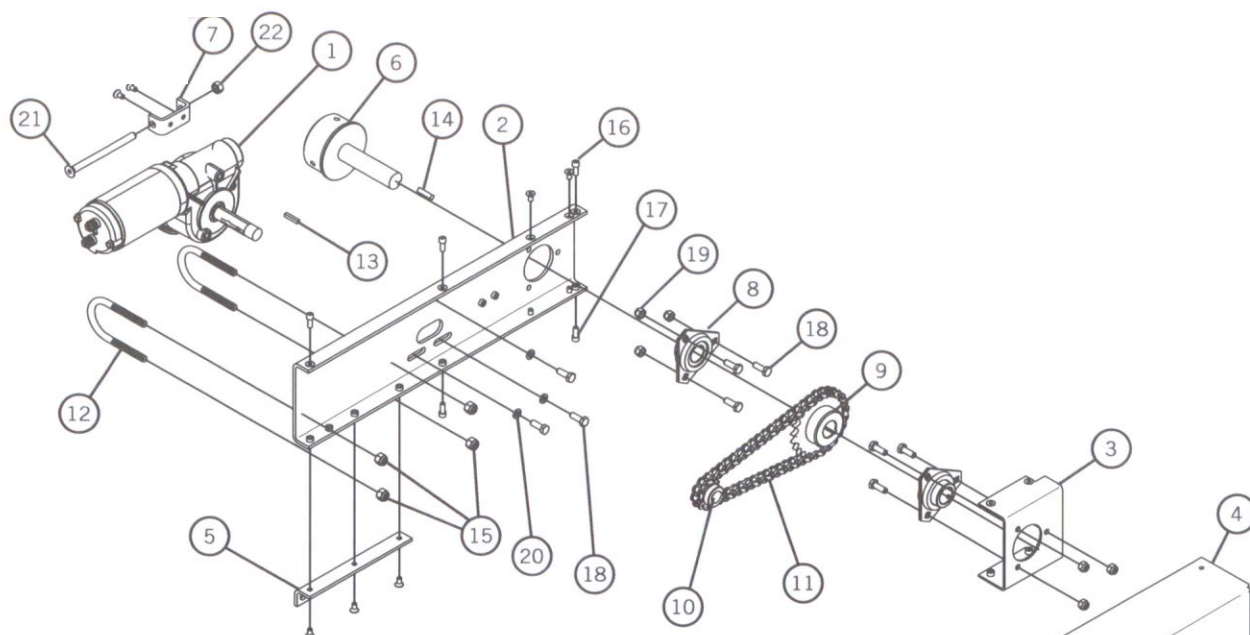
No.	Part No.	Description	Qty
	1001-961410	Roller Plate Assembly	
1	1001-960702	Swivel Collar Assembly	1
2	1001-861411	Roller Plate	1
3	1001-861412	Roller Block	2
4	1001-861325	Roller Radius	2
5	1001-861304	Roller Spacer "V"	2
6	1001-861307	Steel Washer	4
7	0710-602144	Bearing .5" ID x 1.575" OD	4
8	0810-650839	1/2-13 x 4 Hex Bolt	4
9	0815-660127	1/2-13 NYLOCK Hex Nut	4
10	0820-680810	1/2 Flat Washer	4

Front Swing Arm

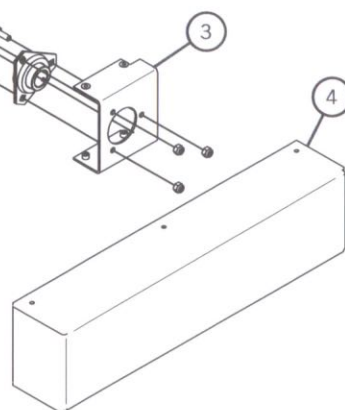


No.	Part No.	Description	Qty
	1001-961703	Front Swing Arm	
1		Motor Drive Unit Assembly (See Page 22)	
2	1440-281635	Steel Tube 2" Rd x 5' Lg	1
3	0715-619405	Compression Spring Jumbo	1
4	1001-861309	Swing Arm Tube Plug	2
5	1001-861316	Collar Lock Swing Arm	2
6	0820-680401	Washer 1/4 x 2 1/4 x 3 1/4	1
7	0810-650170	5/16-18 x 1 Hex Bolt W/Patch	2
8	0755-626433	Flex Cord Motor to Plug	1

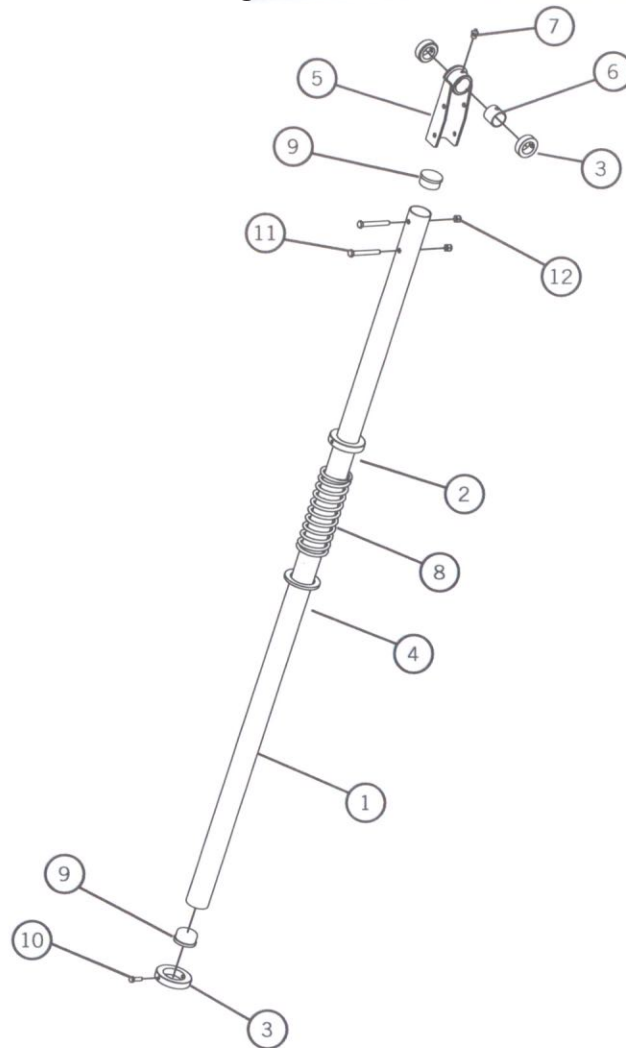
Motor Drive Assembly



Motor Drive Assembly			
No.	Part No.	Description	Qty
1	0755-623421	Motor RA/SWB	1
2	1001-960710	Drive Mount Channel Assy	1
3	1001-960711	Bearing Mount Assy	1
4	1001-861722	Drive Unit Cover	1
5	1001-861716	Swing Arm Extension Bracket	1
6	1001-861717	Roll Pipe Adapter	1
7	1001-860704	Chain Tension Bracket	1
8	1001-861714	Bearing Set 1" Bore	2
9	1001-861719	Sprocket 40B24 1" Bore	1
10	1001-861720	Sprocket 40B10 3/4" Bore	1
11	1001-861721	#40 Roller Chain	1
12	1001-861718	U-Bolt 2" Swing Arm Mount	2
13	1001-861723	Key 1/4" x 1"	1
14	1001-861724	Key 3/16" x 1"	1
15	0815-660660	3/8-16 NYLOCK Hex Nut	4
16	0810-650497	1/4-20 x 1/2 FHCS	9
17	0825-617251	1/4-20 x 5/8 SHCS	6
18	0810-650552	5/16-18 x 7/8" Hex Bolt	9
19	0815-660550	5/16-18 NYLOCK Hex Nut	6
20	0820-680520	5/16 Lock Washer	3
21	0810-650496	3/8-16 x 5 FHCS	1
22	0815-661640	3/8-16 Hex Nut	1

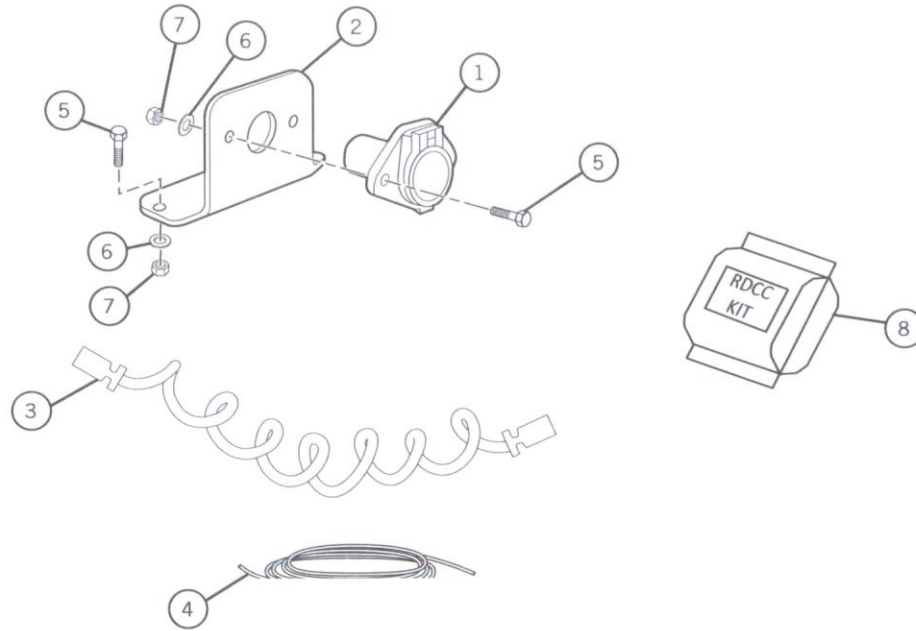


Rear Swing Arm



No.	Part No.	Description	Qty
1	1440-281636	Steel Tube 2" Rd x 6' Lg	1
2	1001-861316	Collar Lock Swing Arm	2
3	0785-690335	Collar Shaft 1 1/4" ID	2
4	0820-680401	Washer 1/4 x 2 1/4 x 3 1/4	1
5	1001-962122	Motor Mount Bracket Assy	1
6	0845-691233	Bronze Bushing	1
7	0825-670394	Zerk 1/4-28 Straight	1
8	0715-619405	Compression Spring Jumbo	1
9	1001-861308	Swing Arm Tube Plug-Top	2
10	0810-650170	5/16-18 x 1 Hex Bolt W/Patch	2
11	0810-670657	3/8-16 x 3 Hex Bolt	2
12	0815-660660	3/8-16 NYLOCK Hex Nut	2

Electrical Hardware



Electrical Hardware			
No.	Part No.	Description	Qty
1	1041-860143	Female Electrical Socket	2
2	1001-860165	Socket Mounting Bracket	2
3	0755-626434	Flex Cord with Plugs	1
4	0755-626540	#6 Wire (20')	1
5	0810-650552	5/16-18 x 7/8 Hex Bolt	4
6	0820-680510	5/16 Flat Washer	4
7	0815-660461	5/16-18 NYLOCK Hex Nut	4
8	0755-962108	RDCC Kit	1

Wiring the Tractor Instructions

There are two items to wire on the tractor before you can operate your Demco side dump. The control box and the tarp power wire.

To install the control box, find a suitable location in the cab of the tractor and mount the control box. The red and black two wire cable attached to the back of the box is the power wire. Plug the cigarette lighter end into a power connection in the cab.

If you do not have an available outlet for the cigarette lighter end, use the following instructions:

- Cut the cigarette lighter plug off.
- Split apart the wires and connect the red wire to a 12v dc power source and the black to ground.
- **Red wire must be positive and Black negative. Reversing these wires can damage the control system.**
- A bag of terminals is included to allow you to tap into most truck fuse panels.



Route the gray cord and male 9 pole plug out of the cab and to the front bulkhead of the side dump. Plug the cord into the female 9 pole socket on the trailer bulkhead. You will now be able to raise and lower the rear axle and dump the tub.

NOTE: Air must be supplied to the side dump for the lift axle to operate properly. Hydraulic oil must be supplied to the side dump to dump the tub.

To use the tarp you will need to supply 12 volt power to the side dump to operate the tarp motor. Due to the large power draw of the tarp motor, the electrical supply must be hooked directly to the battery and the heavy #6 wire included with the kit must be used.

Refer to the Aero wiring diagram for reference. The relay has been already mounted on the side dump and the momentary switch that rolls/unrolls the tarp is in the control box installed previously. All that needs to be done is to run a wire from the battery to the female two pole socket on the road side front corner of the side dump.

Find a suitable location on the tractor to mount the included female two pole socket. A mounting bracket and hardware is also supplied.

Locate the circuit breaker as close to the positive battery post as possible. If the circuit breaker is not mounted to the battery box or truck frame, make sure that the terminals cannot touch anything that would create a short circuit.

Separate enough of the red wire on the #6 red/black cord to reach from the positive battery terminal to the circuit breaker. Cut off the red wire. Strip the red wire and crimp on ring terminals to match the battery cable bolt and the post on the circuit breaker.



Do Not hook the red wire to the battery until everything else is wired.

Crimp a ring terminal on the red wire on the remaining red/black cord and attach it to the circuit breaker.

Crimp a ring terminal on the black wire and attach it to the negative battery post.

Route the red/black cord to the female socket. Cut the cord and crimp ring terminals on the end of the wires.

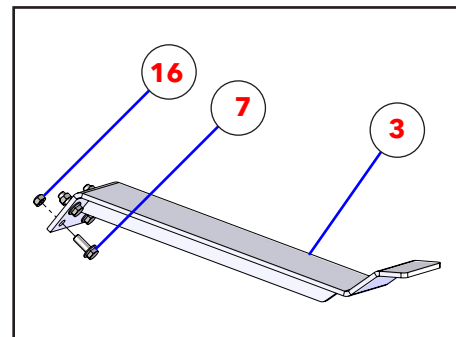
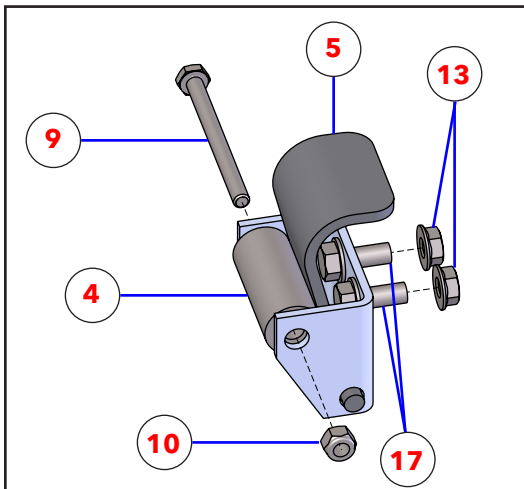
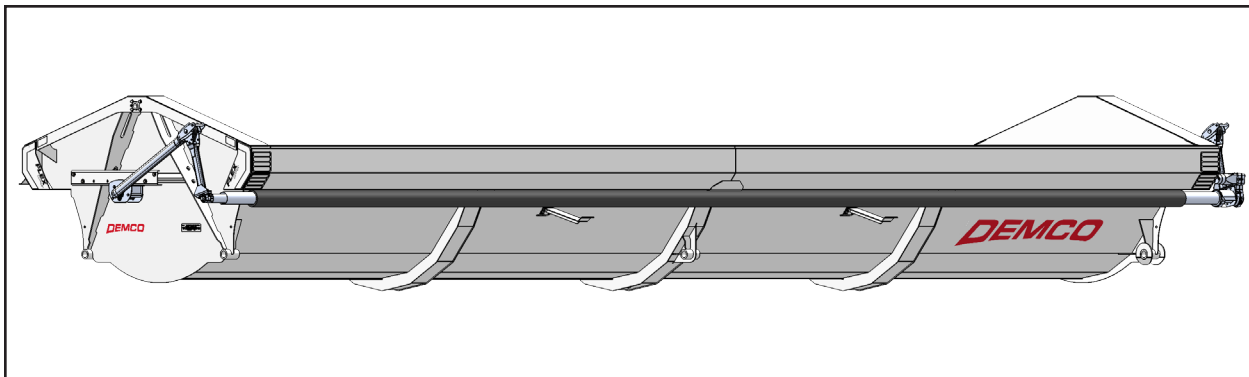
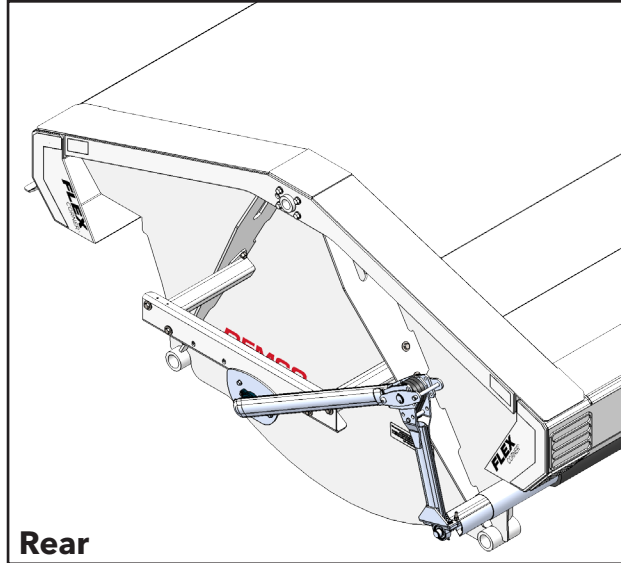
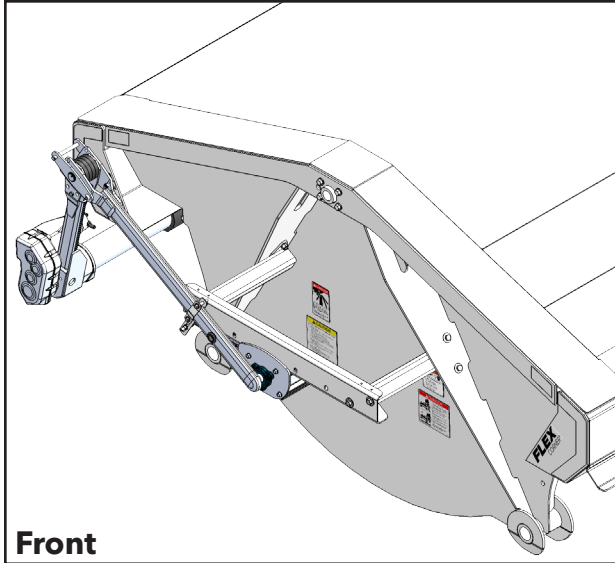
Slip the cover for the back of the socket over the cord and bolt the ring terminals to the socket. Match the positive and negative wires to the corresponding terminals marked on the socket.

Slip the cover over the back of the socket. Secure the red/black cord to the truck frame.

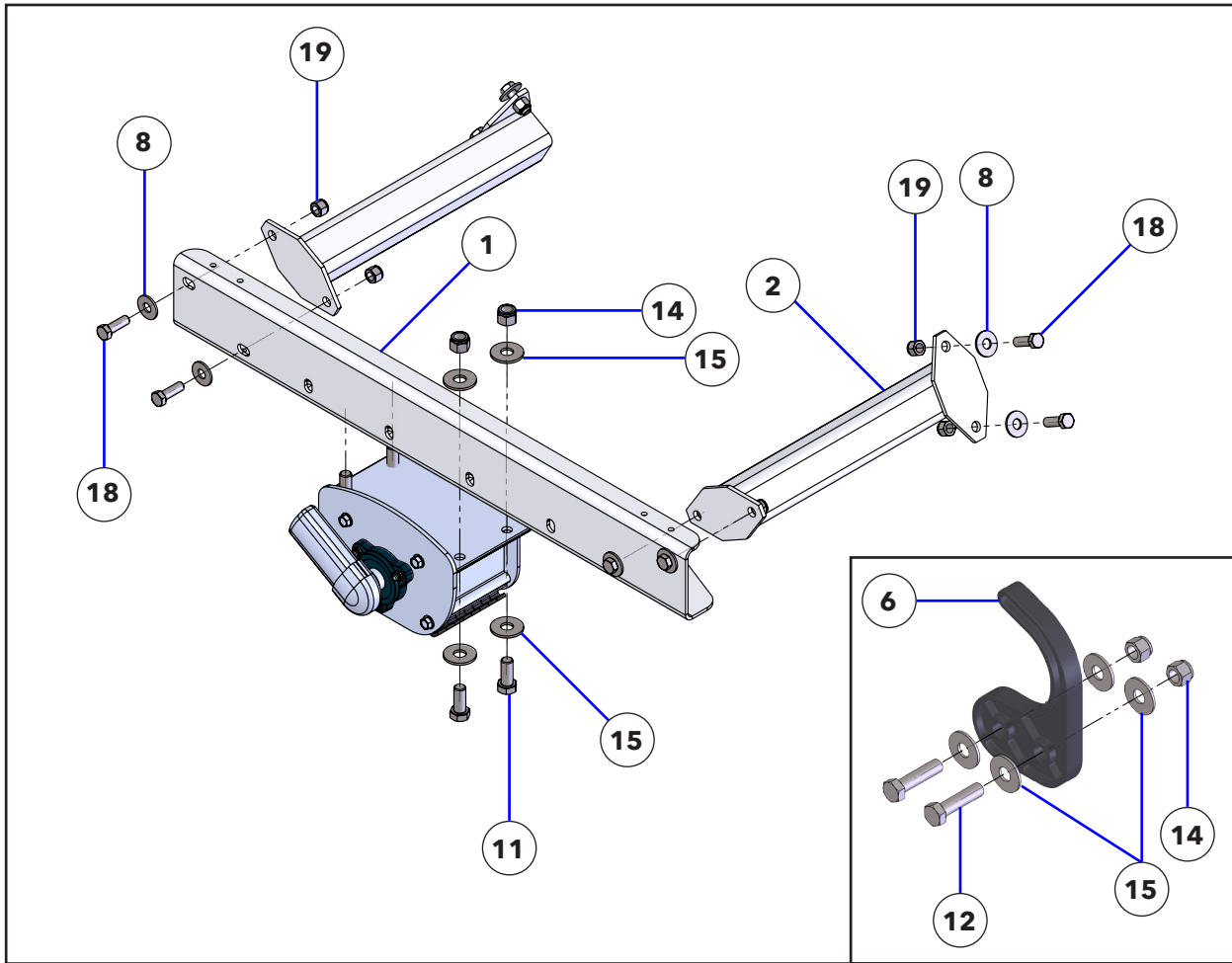
Hook the red wire to the battery. A double male stretch cord is included to connect the tractor to the side dump.

The tarp will now operate from the control box. It is best to have the tractor running while operating the tarp.

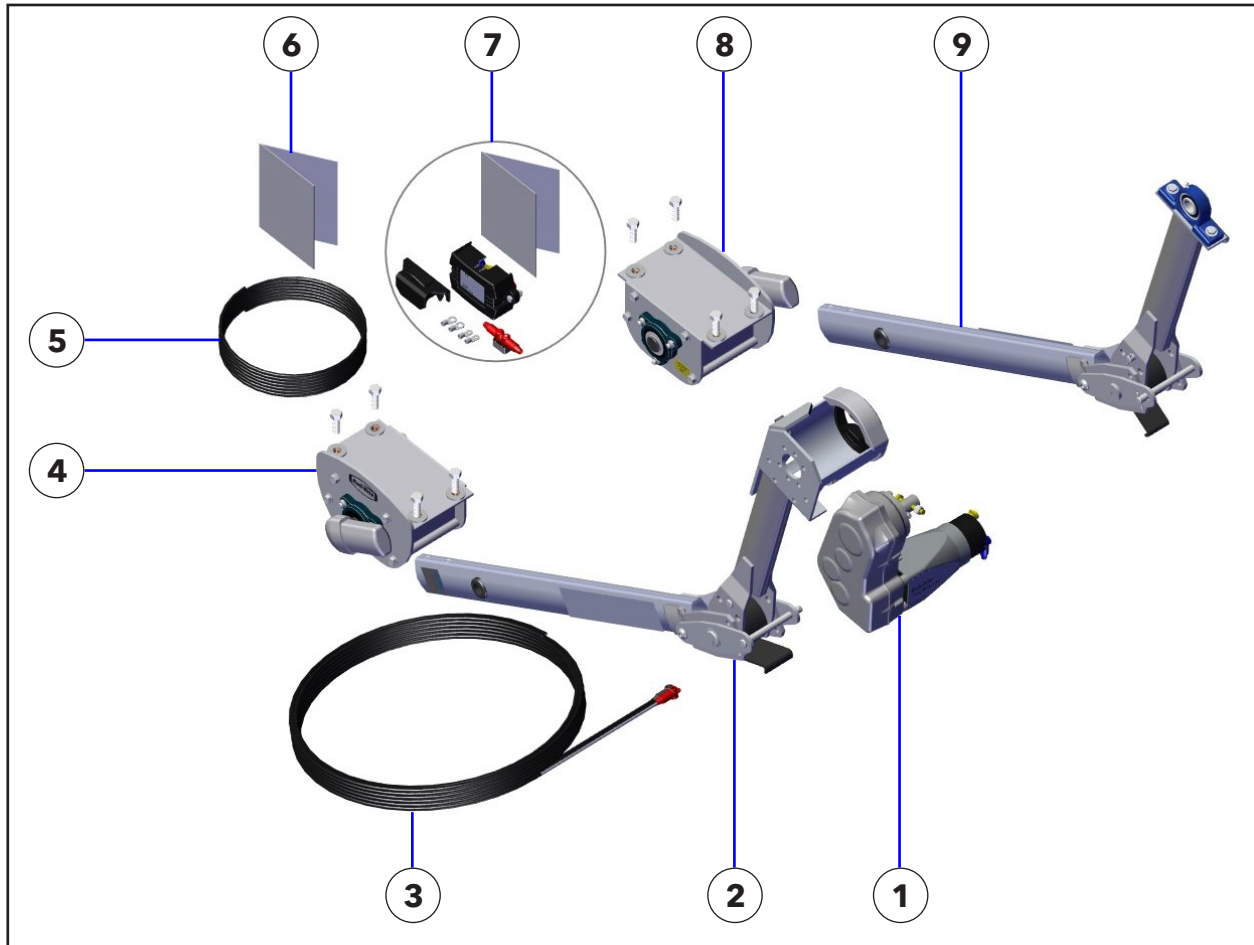
Mounting Parts



Mounting Parts

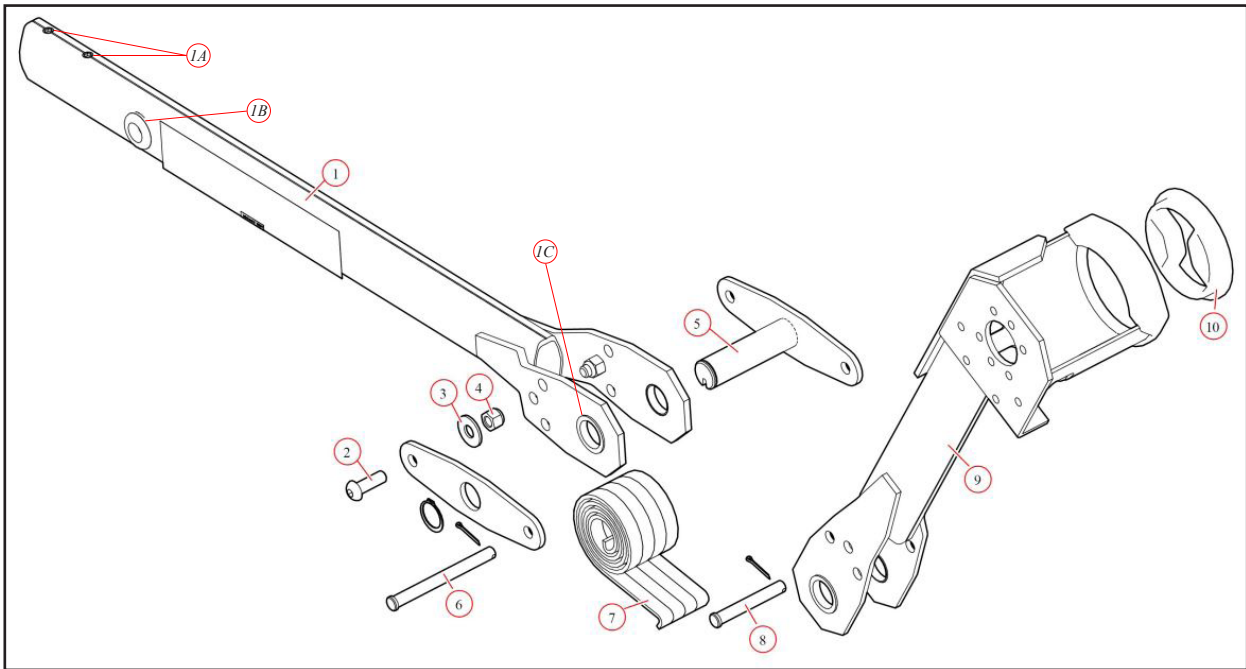


BOM ID	Qty	Item No	Description
1	2	3CAM9385	TARP MOUNTING CHANNEL
2	4	5CAM9038	TARP CHANNEL MOUNT
3	*	5C000008	BRACKET, TARP SUPPORT
4	*	1AUAM9073	SPACER, TARP MOUNTING, 7/8" OD X 11/32" ID X 2" OAL
5	*	1AZAP4108	CLAMP, STEEL CLAMP FOR TARP SECURING ROD PLTD, EA (36830)
6	2	1AZAP4152	SPOOL, TARP SPOOL HOOK FOR SIDE DUMP SYSTEM, EA (36840)
7	*	1AFC12FAA05	HEX CAP SCREW, 3/8"-16 X 1", GR 5, PLTD
8	16	1AF009H0000	WASHER, FLAT, 1/2", PLTD
9	*	1AFBP3588	HEX CAP SCREW, 1/4"-20 X 3", GR 8, PLTD
10	*	1AFC18D0000	NUT, HEX LOCK, 1/4"-20, NYLOCK, PLTD
11	4	1AFC12JAAH5	HEX CAP SCREW, 5/8"-11 X 1-1/2", GR 5, PLTD
12	4	1AFC12JBAH5	HEX CAP SCREW, 5/8"-11 X 2-1/2", GR 5, PLTD
13	*	1AFC08E0000	NUT, HEX SERRATED FLANGE, 5/16"-18, PLTD
14	12	1AFC18J0000	NUT, HEX LOCK, 5/8"-11, NYLOCK, PLTD
15	16	1AF009J0000	WASHER, FLAT, 5/8", PLTD
16	*	1AFBP3612	NUT, HEX LOCK, 3/8"-16, TOP LOCK, PLTD
17	*	1AFC37E00L0	HEX CAP SCREW, 5/16"-18 X 3/4", SERRATED FLANGE HD, PLTD
18	16	1AFC12HAAH8	HEX CAP SCREW, 1/2"-13 X 1-1/2" GR 8, PLTD
19	16	1AFC18H0000	NUT, HEX LOCK, 1/2"-13, NYLOCK, PLTD



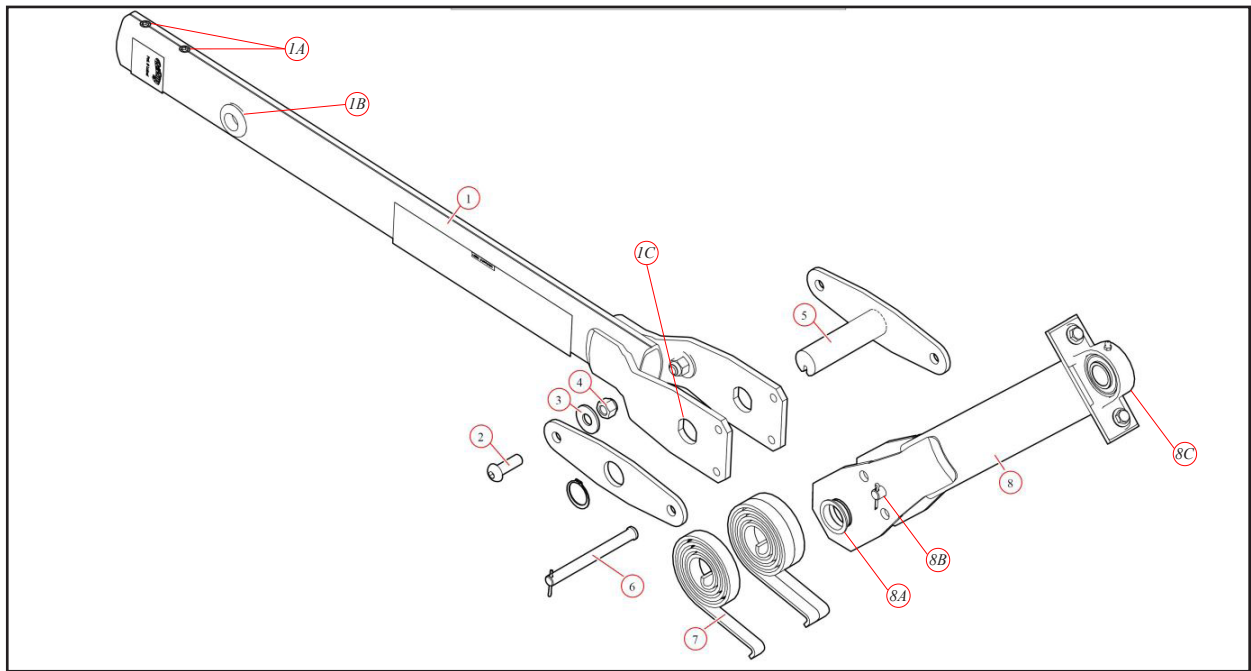
1AZAP3576 (Rite-Lock Power Arm Kit, Pass. Side Stowing for Side Dump 12V TS)			
BOM ID	Qty	Item No	Description
1	1	1AZAP4293	MOTOR, ROLL RITE TARP (10200)
2	1	-	PIVOT, ASSY FRONT 4-SPRING KNUCKLE ARM, MOTOR END (46802)
3	1	1AEW000WF62	PARALLEL BAT CABLE, 6GA, BLK W/RED (11330)
4	1	-	PIVOT, UB ASSEMBLED STS 8-SPR FRONT (102354)
5	1	1AZAP4295	CABLE, 16GA / 3COND, BLU/YEL/RED, 15' (11411)
6	1	-	INSTRUCTIONS, UNIVERSAL STS DUMP SYSTEM (102317)
7	1	1AZ00103460	ELECTRIC KIT, TSCM W/ SS GEN1+ RELAY & ROCKER SW, 6GA (103460)
8	1	-	PIVOT, UB ASSEMBLED STS 8-SPR REAR (102353)
9	1	-	PIVOT, ASSY REAR KNUCKLE ARM, NON-MOTOR END (46803)

ELECTRIC TARP OPTION -- ROLL-RITE



Pivot, Assy Front 4-Spring Knuckle Arm, Motor End (46802)			
BOM ID	Qty	Item No	Description
* 1	1	-	PIVOT TUBE, BASE W/SIDE PLATES, 4 SPRING STS KNUCKLES (102199)
1A	1	-	SCREW, 1/2" X 5/8" SET (18291)
1B	1	-	GROMMET, RUBBER 7/8 ID X 1/8 GROOVE FOR TOP MT PIVOTS (16419)
1C	1	-	BUSHING, 1-1/4 POLY T-BUSHING FOR PIVOT PIN (47040)
2	2	-	BOLT, 1/2" X 1-1/2" BUTTON HEAD PLTD (18295)
3	2	1AF009H0000	WASHER, 1/2" FLAT PLTD (18412)
4	2	1AFC18H0000	NUT, 1/2" NYLOCK NUT PLTD (18631)
5	1	-	BRACKET, 4-SP KNUCKLE W/STOP PLATE FOR STS MOTOR END (47970)
6	1	-	PIN, 1/2" X 5-1/4" CLEVIS (18540)
7	4	1AZAP4589	SPRING, SPIRAL TORSION 1-1/4" (47230)
8	1	1AFAP4507	PIN, 1/2" X 3-1/2" CLEVIS (18520)
9	1	-	PIVOT TUBE, FRONT UPPER FOR 4-SP KNUCK W/BUSH 13.06" (102197)
10	1	1AZAP4539	BUSHING, AXLE STABILIZER FOR 4" AXLE (37580)

* Note: All High Capacity Kits require longer lower tarp arms see page 109 for High Capacity specific tarp parts.



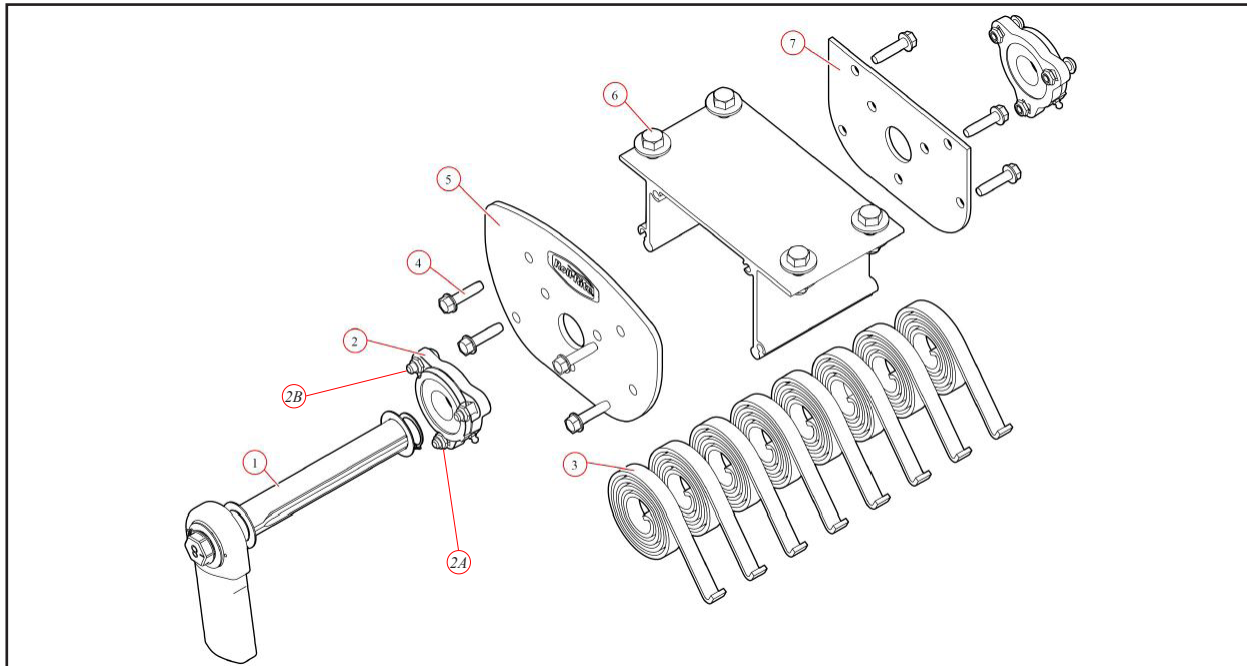
Pivot, Assy Rear Knuckle Arm, Non-Motor End (46803)

BOM ID	Qty	Item No	Description
* 1	1	-	PIVOT TUBE, BASE W/SIDE PLATES, 4-SPRING STS KNUCKLES (102199)
1A	1	-	SCREW, 1/2" X 5/8" SET (18291)
1B	1	-	GROMMET, RUBBER 7/8 ID X 1/8 GROOVE FOR TOP MT PIVOTS (16419)
1C	1	-	BUSHING, 1-1/4 POLY T-BUSHING FOR PIVOT PIN (47040)
2	2	-	BOLT, 1/2" X 1-1/2" BUTTON HEAD PLTD (18295)
3	2	1AF009H0000	WASHER, 1/2" FLAT PLTD (18412)
4	2	1AFC18H0000	NUT, 1/2" NYLOCK NUT PLTD (18631)
5	1	-	BRACKET, 4-SP KNUCKLE W/STOP PLATE FOR STS MOTOR END (47970)
6	1	-	PIN, 1/2" X 5-1/4" CLEVIS (18540)
7	4	1AZAP4589	SPRING, SPIRAL TORSION 1-1/4" (47230)
8	1	-	PIVOT TUBE, REAR UPPER FOR 4-SP KNUCKLE W/BEARING (47890)
8A	1	-	BUSHING, 1-1/4 POLY T-BUSHING FOR PIVOT PIN (47040)
8B	1	1AFAP4507	PIN, 1/2" X 3-1/2" CLEVIS (18520)
8C	1	1AZ31050000	BEARING, PILLOW BLOCK (31055)

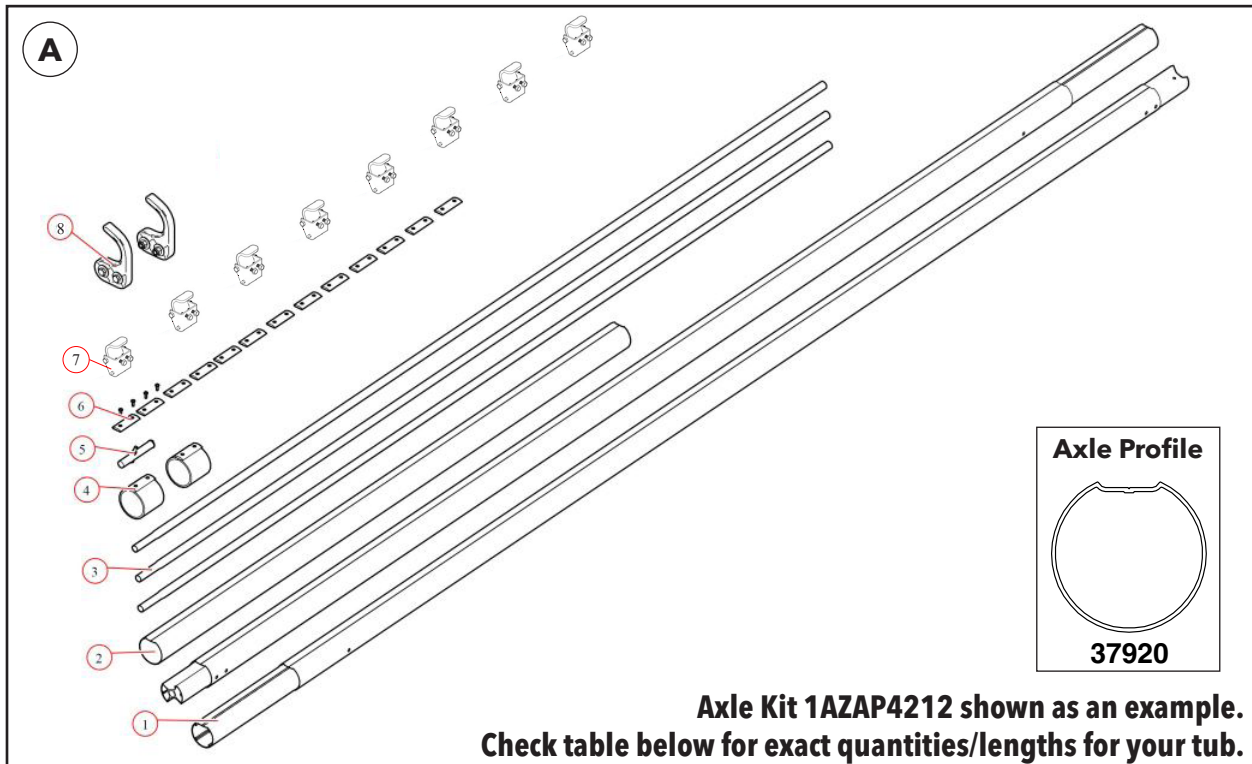
Note: All High Capacity Kits require longer lower tarp arms see page 109 for High Capacity specific tarp * parts.

ELECTRIC TARP OPTION -- ROLL-RITE

Pivot, UB Assembled STS 8-Spr Front (102354)			
BOM ID	Qty	Item No	Description
1	1	-	PIVOT PIN, FOR 8-SPR ROLLER BEARING PIV, DRIVER SIDE (47400)
2	2	-	BEARING, CARRIER UNDERBODY FLANGED (47800)
2A	3	1AFC18F0000	NUT, 3/8" NYLOCK NUT PLTD (18628)
2B	3	1AFBP3633	BOLT, 3/8-16 X 1-1/8", BUTTON HEAD, PLTD (18242)
3	8	1AZAP4589	SPRING, SPIRAL TORSION 1-1/4" (47230)
4	8	1AFC37FAAH5	BOLT, 3/8 X 1-1/2", THREAD-CUTTING SCREW, HEX WASHER HD (18120)
5	1	-	PLATE, AL FRONT FOR EXT BOLT FLANGE MOUNT UB BOX (102349)
6	1	-	BRACKET, EXT BODY WITH HOLES FOR 8-SPR UB BOX (102269)
7	1	-	PLATE, AL BACK FOR EXT BOLT FLANGE MOUNT UB BOX (102259)



Pivot, UB Assembled STS 8-Spr Rear (102353)			
BOM ID	Qty	Item No	Description
1	1	-	PIVOT PIN, FOR 8-SPR ROLLER BEARING PIV, PASS SIDE (47410)
2	2	-	BEARING, CARRIER UNDERBODY FLANGED (47800)
2A	3	1AFC18F0000	NUT, 3/8" NYLOCK NUT PLTD (18628)
2B	3	1AFBP3633	BOLT, 3/8-16 X 1-1/8", BUTTON HEAD, PLTD (18242)
3	8	1AZAP4589	SPRING, SPIRAL TORSION 1-1/4" (47230)
4	8	1AFC37FAAH5	BOLT, 3/8 X 1-1/2", THREAD-CUTTING SCREW, HEX WASHER HD (18120)
5	1	-	PLATE, AL FRONT FOR EXT BOLT FLANGE MOUNT UB BOX (102349)
6	1	-	BRACKET, EXT BODY WITH HOLES FOR 8-SPR UB BOX (102269)
7	1	-	PLATE, AL BACK FOR EXT BOLT FLANGE MOUNT UB BOX (102259)

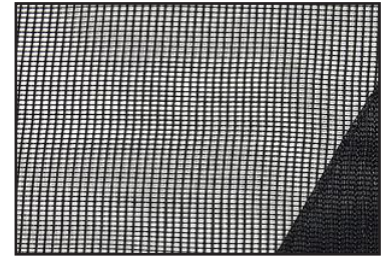


Tub Length	Axle Kit Item No	Axle Tube Length	Fixed Tarp Rod Length	Axle Tarp Clips (C/C)	Tarp Rod Clamps (1AZAP4108)
14'	1AZAP4279	17' - 2 1/2"	13' - 8 1/4"	6 (32")	6
15'	1AZAP4279	18' - 2 1/2"	14' - 8 1/4"	6 (34")	6
16'	1AZAP4279	19' - 3"	15' - 8 3/4"	6 (36")	6
17'	1AZAP4459	20' - 2 1/2"	16' - 8 1/4"	6 (38")	6
20'	1AZAP4459	23' - 3"	19' - 9 1/4"	7 (38")	6
24'	1AZAP4410	27' - 3"	23' - 9"	10 (32")	6
30'	1AZAP4212	33' - 6"	30' - 0 3/8"	11 (36")	8
34'	1AZAP4212	37' - 6"	34' - 0 1/2"	11 (40")	8
37'	1AZAP4563	40' - 3"	36' - 9 1/4"	11 (44")	8

BOM ID	Qty	Item No	Description
1		-	AXLE, 4" UNIVERSAL FRONT/REAR SECTION FOR SIDE DUMP (37920)
2		-	EXTRUSION, 4" AXLE, 98" (102367)
3		-	STEEL TUBING, 1.125D X 16GA X 12' RND GALV W/SWEDGE (101815)
4	2	-	AXLE SLEEVE, SIDE DUMP BELT STYLE, AXLE SLEEVE KIT (102379)
5	1	-	HARDWARE, STUB SHAFT KIT FOR SIDE DUMP SYSTEM (102365)
6		-	CLIP, TARP CLIP W/HARDWARE FOR STS AXLE (37830)
7		1AZAP4108	CLAMP, STEEL CLAMP FOR TARP SECURING ROD PLTD, EA (36830)
8	2	1AZAP4095	SPOOL, TARP SPOOL HOOK FOR SIDE DUMP SYSTEM, EA (36840)

ELECTRIC TARP OPTION -- ROLL-RITE

Tub Length	Tarp Kit	Mesh Tarp	Tarp Size
14'	1AZAP3576	1AZAP4598	13'-6" x 162"
15'	1AZAP3576	1AZAP4599	14'-6" x 162"
16'	1AZAP3576	1AZAP4600	15'-6" x 162"
17'	1AZAP3576	1AZAP4601	16'-6" x 162"
20'	1AZAP3576	1AZAP4602	19'-7" x 162"
24'	1AZAP3576	1AZJ23800RE	23'-8" x 162"
30'	1AZAP3576	1AZAP4603	29'-10" x 162"
34'	1AZAP3576	1AZAP4604	33'-10" x 162"
37'	1AZAP3576	1AZAP4605	36'-7" x 162"

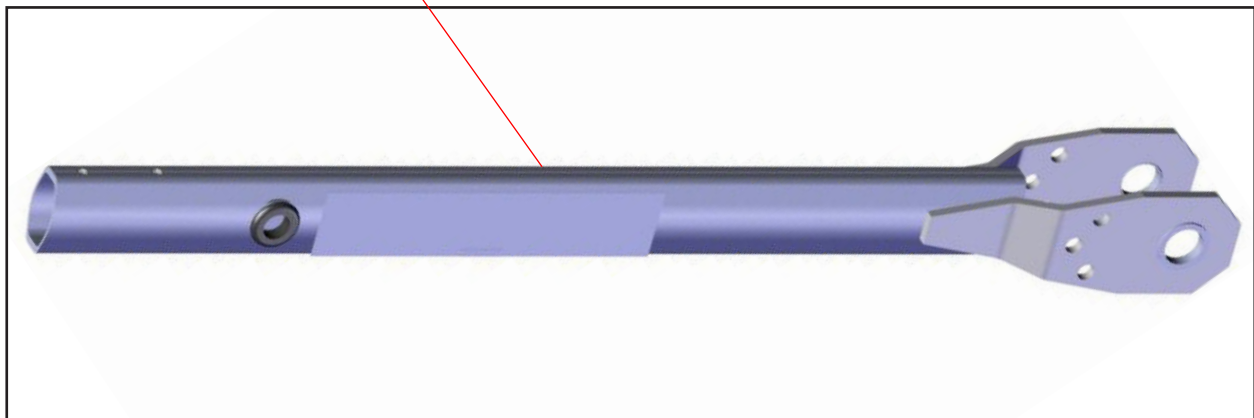


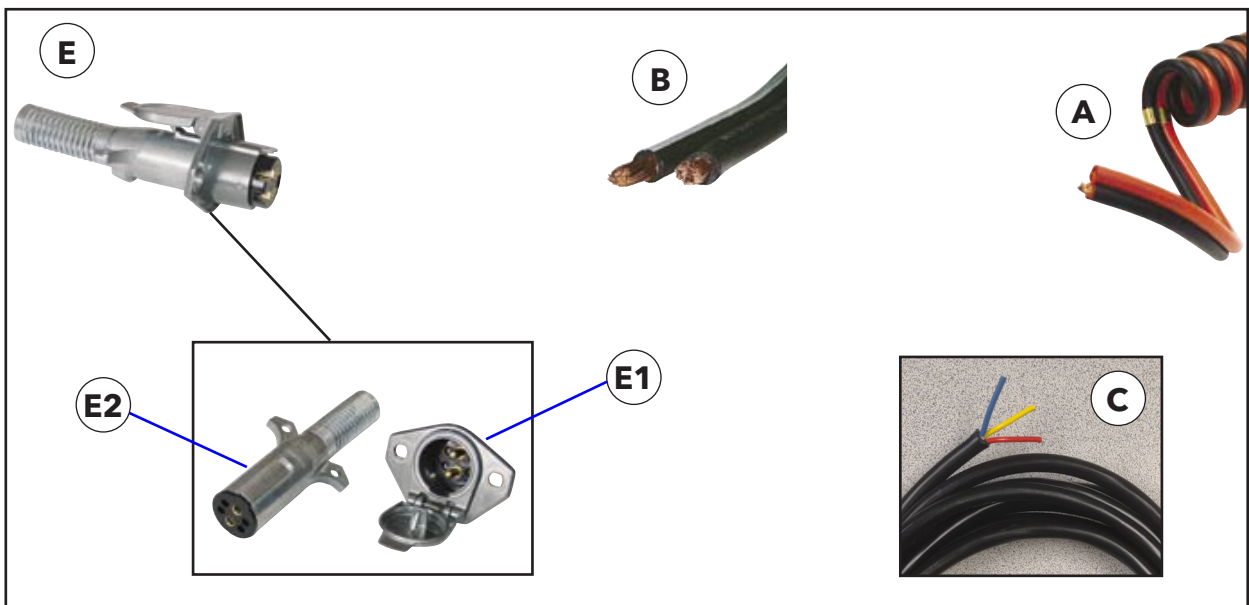
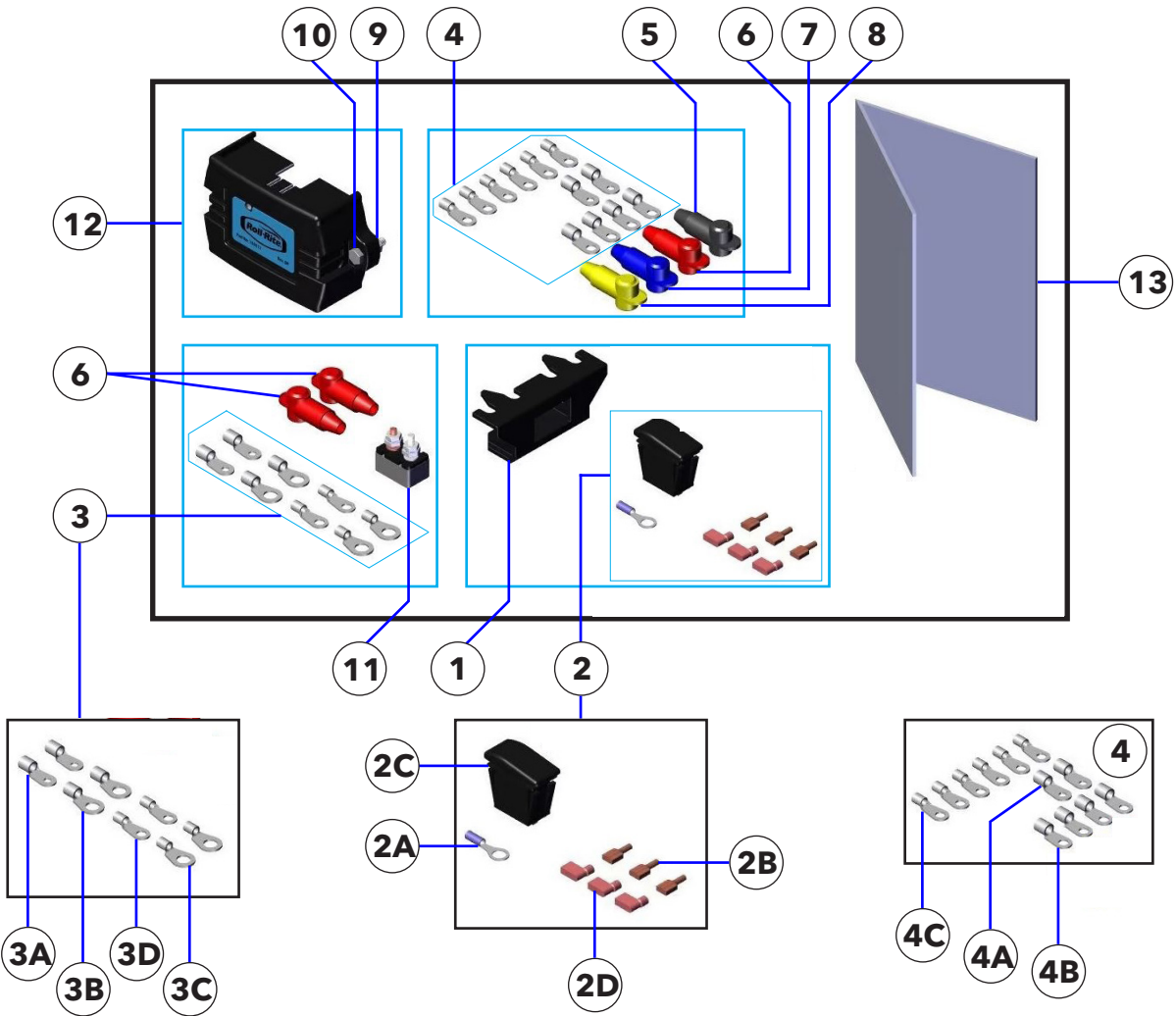
Mesh Tarp

Roll-Rite Electric Tarp Parts for High-Capacity Kits Only

Tub Length	Axle Kit	Tarp Kit	Mesh Tarp	Tarp Size	Axle Tube Length	Fixed Tarp Rod Length
20' H.C.	1AZAP4459	1AZAP4402	-	20' x 147"	23' - 3"	20' - 1 3/4"
24' H.C.	1AZAP4410	1AZAP4402	1AZAP4409	24' x 147"	27' - 3"	24' - 1 1/2"
34' H.C.	1AZAP4212	1AZAP4402	1AZAP3950	34' x 147"	37' - 6"	34' - 4 3/4"
37' H.C.	1AZAP4563	1AZAP4402	1AZAP4562	37' x 147"	40' - 3"	37' - 1 3/4"

Note: All High Capacity Kits, including XL Kits, use the same quantity and spacing of Axle Tarp Clips and Tarp Rod Clamps as standard tubs. Longer lower tarp arms are required for all High Capacity Kits - use Item Number 1AZ102266RE (ROLL-RITE HIGH CAPACITY TARP ARM, EA, #102266).





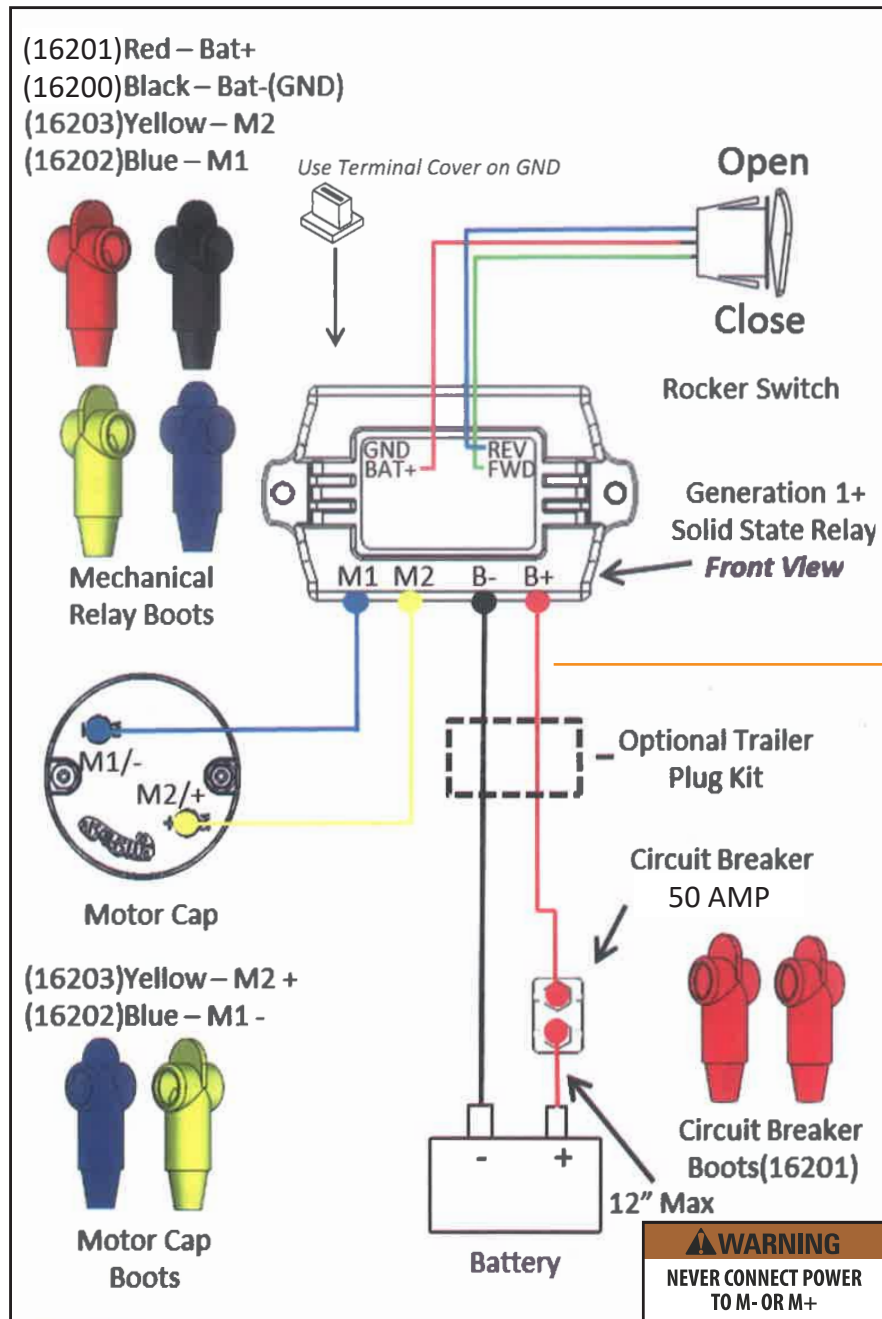
ELECTRIC TARP OPTION -- ROLL-RITE

1AZ00103460 (Electric Kit, TSCM W/SS Gen1+ Relay & Rocker Switch, 6GA)			
BOM ID	Qty	Item No	Description
1	1	1AZ00010390	MOUNT BRACKET, ROCKER SWITCH (10390)
2	1	-	ROCKER SWITCH KIT (10915)
2A	1	1AEC0031506	TERMINAL, 14 GA INSULATED, 3/8" RING (16080)
2B	3	-	TERMINAL, 18 GA INSULATED, Q.D. FEMALE (16118)
2C	1	1AZ00019300	SWITCH, ROCKER (OPEN/CLOSE) (19300)
2D	3	-	TERMINAL, 14-16 GA INSULATED, Q.D. FLAG FEMALE (100460)
3	1	-	TERMINAL KIT FOR CIRC. BREAKER, 6/8 GA TERMINALS (10918)
3A	2	-	TERMINAL, 6 GA, #10 RING (16020)
3B	2	1AEC0036073	TERMINAL, 6 GA, 3/8" RING (16030)
3C	2	-	TERMINAL, 8 GA, 3/8" RING (16150)
3D	2	1AEC0033002	TERMINAL, 8 GA, 1/4" RING (16155)
4	1	-	TERMINAL KIT FOR SS RELAY, 6/8 GA TERMINALS (10919)
4A	2	-	TERMINAL, 6 GA, #10 RING (16020)
4B	4	1AEC0036071	TERMINAL, 6 GA, 1/4" RING (16021)
4C	6	1AEC0033002	TERMINAL, 8 GA, 1/4" RING (16155)
5	1	-	TERMINAL BOOT, BLACK, 8-2GA (16200)
6	3	-	TERMINAL BOOT, RED, 8-2GA (16201)
7	1	-	TERMINAL BOOT, BLUE, 8-2GA (16202)
8	1	-	TERMINAL BOOT, YELLOW, 8-2GA (16203)
9	2	1AFC08D0000	HEX NUT, 1/4-20 FLANGE, SERRATED, PLTD (18620)
10	2	1AFC12DAA05	HEX BOLT, 1/4-20 X 1", GR5, PLTD (18700)
11	1	1AZ00101259	50A MANUAL RESET CIRCUIT BREAKER, RITE TOUCH (101259)
12	1	1AZ00103238	12V RITE TOUCH RELAY SS GEN1+ W/HOUSING (103238)
13	-	-	ELECTRICAL COMPONENT INSTALLATION GUIDE (105568)

TO ADD TARP CONTROLS TO A SECOND TRACTOR FOR A STANDARD HYDRAULIC SIDE DUMP, SEE YOUR DEALER FOR COMPLETE KIT AND PRICING FOR 4CFK2014 (KIT, ROLL-RITE TARP, CONTROL SWITCH FOR 2ND TRACTOR). FOR EOH TRAILERS, SEE PAGE 116.

Other Electrical Components for Roll-Rite Tarps			
BOM ID	Qty	Item No	Description
A	-	1AZ00011320	6GA DUAL COILED CORD (11320)
B	-	1AEW000WF62	PARALLEL BAT CABLE, 6GA, BLK W/RED (11330)
C	-	1AZAP4295	CABLE, 16GA / 3COND, BLU/YEL/RED, 15' (11411)
E	-	1AZAP4211	MALE & FEMALE PLUG SET, 2-PIN, ROLL-RITE TARP (12760)
E1	1	1AZAP4236	FEMALE PLUG, 2-PIN, ROLL-RITE TARP (12770)
E2	1	1AZAP4235	MALE PLUG, 2-PIN, ROLL-RITE TARP (12780)

**Roll-Rite Generation 1+ Solid State Reversing Relay with Rocker Switch
(Tarp Uncovering to the right of driver)**



⚠ WARNING

Note: After installation, the terminals on the B+ circuit contain un-switched 12V energy at all times. Installation requirements must be followed to avoid contact between these terminals and chassis ground.

Wiring the Tractor

There are two items to wire on the tractor before you can operate your Demco side dump. The control box and the tarp power wire.

To install the control box, find a suitable location in the cab of the tractor and mount the control box. The red and black two wire cable attached to the back of the box is the power wire. Plug the cigarette lighter end into a power connection in the cab.

If you do not have an available outlet for the cigarette lighter end, use the following instructions:



- Cut the cigarette lighter plug off.
- Split apart the wires and connect the red wire to a 12v dc power source and the black to ground.
- **Red wire must be positive and Black negative. Reversing these wires can damage the control system.**
- A bag of terminals is included to allow you to tap into most truck fuse panels.

Route the gray cord and male 9 pole plug out of the cab and to the front bulkhead of the side dump. Plug the cord into the female 9 pole socket on the trailer bulkhead. You will now be able to raise and lower the rear axle and dump the tub.

NOTE: Air must be supplied to the side dump for the lift axle to operate properly. Hydraulic oil must be supplied to the side dump to dump the tub.

To use the tarp you will need to supply 12 volt power to the side dump to operate the tarp motor. Due to the large power draw of the tarp motor, the electrical supply must be hooked directly to the battery and the heavy #6 wire included with the kit must be used.

Refer to the Roll Rite wiring diagram for reference. The relay has been already mounted on the side dump and the momentary switch that rolls/unrolls the tarp is in the control box installed previously. All that needs to be done is to run a wire from the battery to the female two pole socket on the road side front corner of the side dump.

Locate the circuit breaker as close to the positive battery post as possible. If the circuit breaker is not mounted to the battery box or truck frame, make sure that the terminals cannot touch anything that would create a short circuit. See image on next page for installation orientation of circuit breaker.

Separate enough of the white wire on the #6 white/black cord to reach from the positive battery terminal to the circuit breaker. Cut off the white wire. Strip the white wire and crimp on ring terminals to match the battery cable bolt and the post on the circuit breaker.



Do not hook the white wire to the battery until everything else is wired.

Crimp a ring terminal on the white wire on the remaining white/black cord and attach it to the circuit breaker.

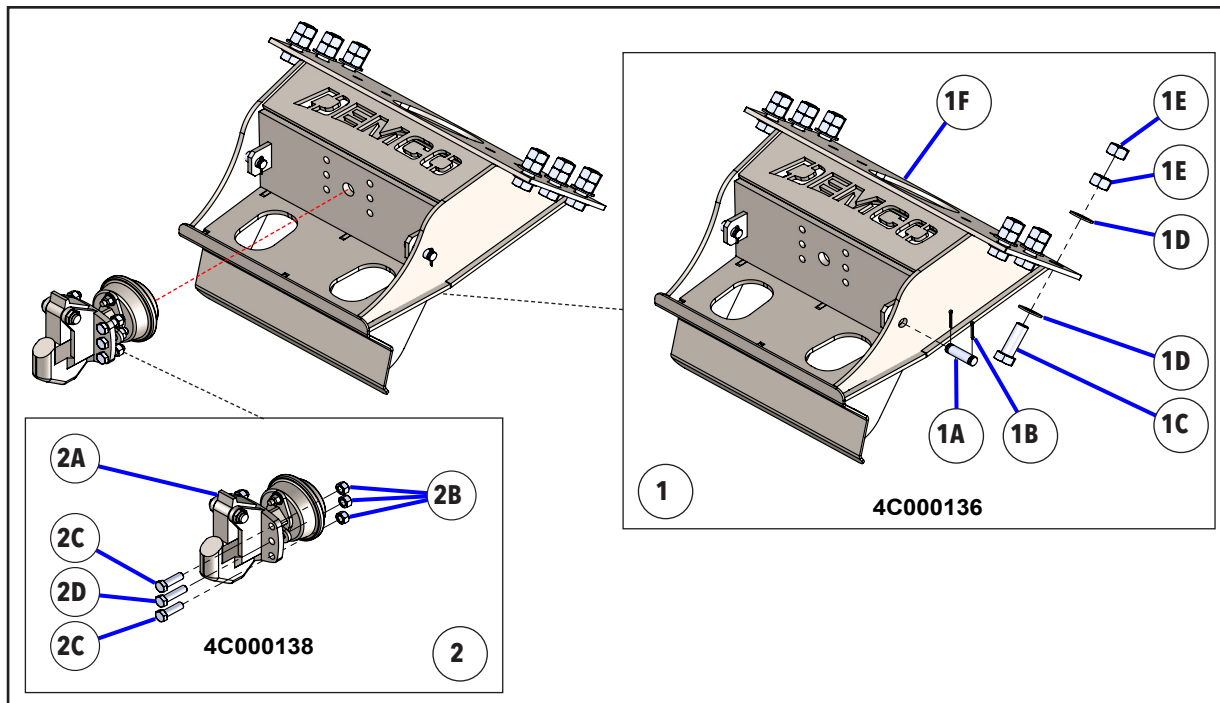
Crimp a ring terminal on the black wire and attach it to the negative battery post.

Route the white/black cord to the female socket on the side dump. Cut the cord and strip the ends back to slip into the terminals on the back of the male 2 pin plug. Match the white and black wires to the corresponding wires in the side dump socket. You may need to slip the cover off the back of the socket to make sure that the wires match up. Secure the white/black cord to the truck frame.

Hook the white wire to the battery.

The tarp will now operate from the control box. It is best to have the tractor running while operating the tarp.

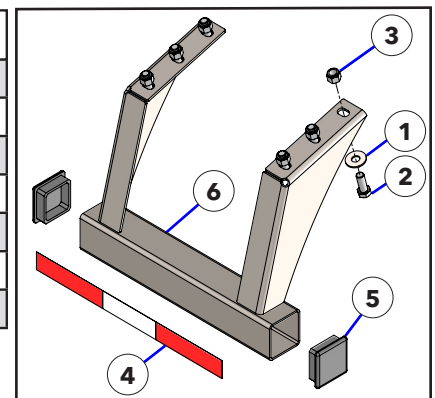
REAR ATTACHMENT OPTIONS

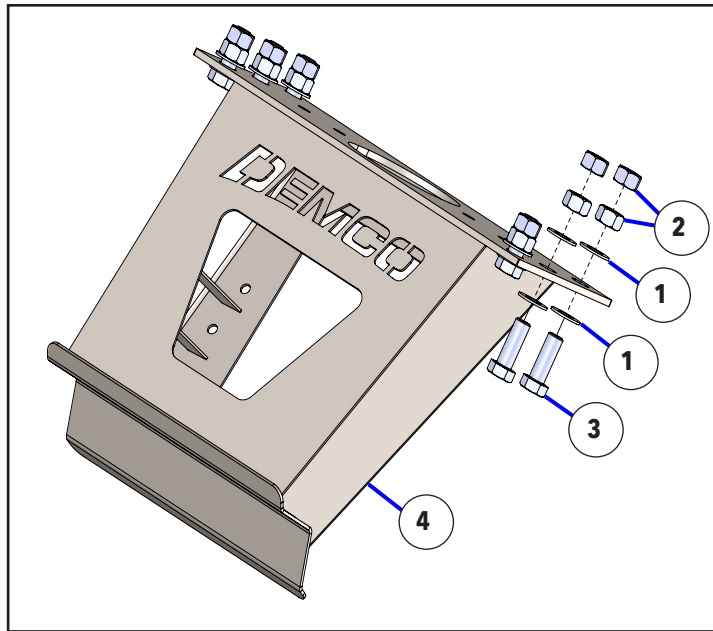


BOM ID	Qty	Item No	Description
1	1	4C000136	PUSH BLOCK PINTLE HITCH COMPLETE W/ HARDWARE
1A	2	1AFBP3403	PIN, CLEVIS, 1 X 2-3/4 USEABLE
1B	4	1AFBP3511	PIN, COTTER, 3/16 X 1-3/4
1C	6	1AFC12SDAH8	BOLT, 1-1/4-7 X 4", GRD 8, YZ
1D	12	1AFBP3634	WASHER, FLAT, 1-1/4, SAE, ZINC PLTD
1E	12	1AFBP3720	NUT, HEX, 1-1/4" - 7, GRD 8, YZ
1F	1	5C000189	PUSH BLOCK PINTLE HITCH
2	1	4C000138	PINTLE HOOK ASSY, COMPLETE W/ HARDWARE
2A	1	1ACAP3644	PINTLE HOOK ASSY W/ AIR LOCK, PREMIER 2300A
2B	6	1AFBP3442	NUT, HEX LOCK, 3/4"-10, TOP LOCK, GRD C, PLTD
2C	4	1AFBP3197	HEX CAP SCREW, 3/4"-10 X 2-1/2", GRD 8, PLTD
2D	2	1AFBP3209	HEX CAP SCREW, 3/4"-10 X 3, GRD 8, PLTD

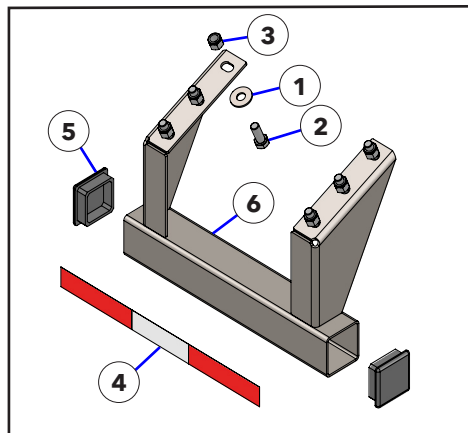
4C000137 (PINTLE HITCH STUB BUMPER COMPLETE)			
BOM ID	Qty	Item No	Description
1	6	1AF009L000	3/4 USS FLAT WASHER ZINC PLTD
2	6	1AFBP3139	HEX CAP SCREW, 3/4"-10 X 2", GRD 5, ZINC PLTD
3	6	1AFBP3296	NYLON INSERT LOCKNUT, 3/4-10 UNC
4	2.04	1AQAS000000	RWR CONSPICUITY TAPE
5	2	1AR00000050	4X4X3/16 PLASTIC TUBE CAP
6	1	5C000191	PINTLE HITCH STUB BUMPER

***THIS STUB BUMPER IS SPECIFIC TO THE PINTLE HITCH/PUSH BLOCK COMBO**





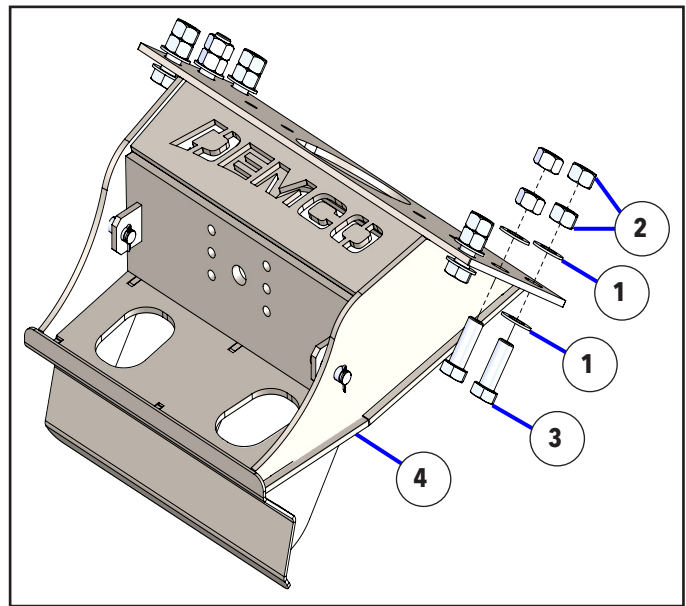
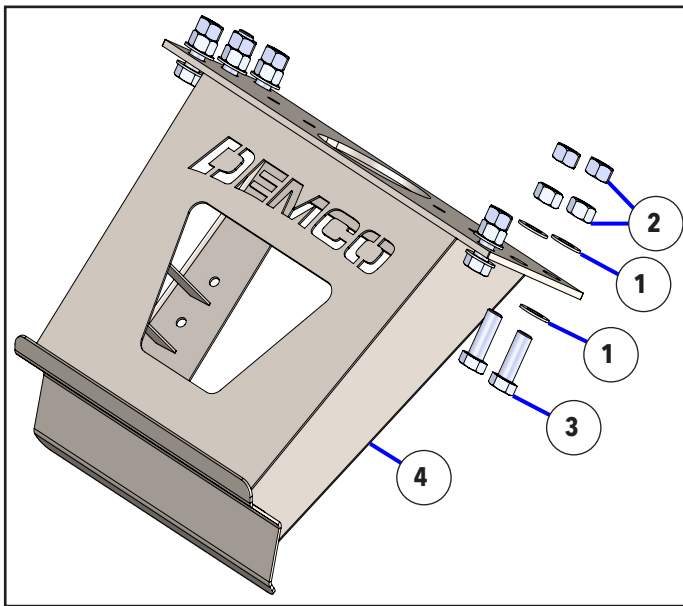
4C000117 (PUSH BLOCK W/ LOGO, COMPLETE W/ HARDWARE)			
BOM ID	Qty	Item No	Description
1	12	1AFBP3634	WASHER, FLAT, 1-1/4, SAE, ZINC PLTD
2	12	1AFBP3720	NUT, HEX, 1-1/4"-7, GRD 8, YZ
3	6	1AFC12SDAH8	BOLT, 1-1/4-7 X 4", GRD 8, YZ
4	1	5C000172	PUSH BLOCK W/ DEMCO LOGO



4C000116 (STUB BUMPER, COMPLETE W/ END CAPS & HARDWARE)			
BOM ID	Qty	Item No	Description
1	6	1AF009L000	3/4 USS FLAT WASHER ZINC PLTD
2	6	1AFBP3139	HEX CAP SCREW, 3/4"-10 X 2", GRD 5, ZINC PLTD
3	6	1AFBP3296	NYLON INSERT LOCKNUT, 3/4-10 UNC
4	2.04	1AQAS000000	RWR CONSPICUITY TAPE
5	2	1AR00000050	4X4X3/16 PLASTIC TUBE CAP
6	1	5C000173	PINTLE HITCH STUB BUMPER

***THIS STUB BUMPER IS SPECIFIC TO THE PUSH BLOCK OPTION**

REAR ATTACHMENT OPTIONS

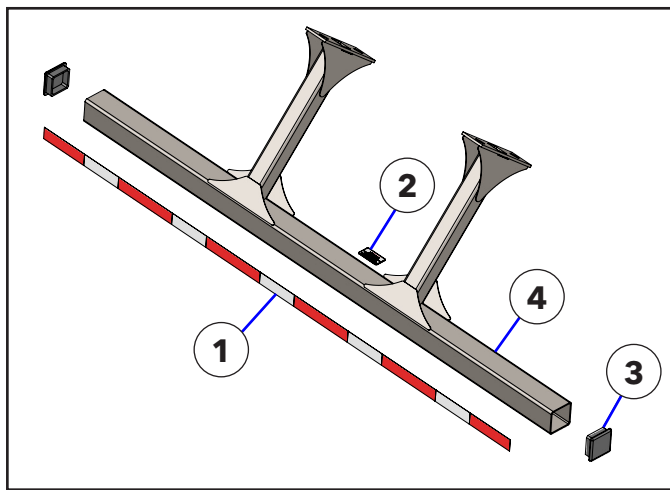


4C000119
(PUSH BLOCK W/ LOGO, COMPLETE FOR ICC BUMPER)

BOM ID	Qty	Item No	Description
1	10	1AFBP3634	WASHER, FLAT, 1-1/4, SAE, PLTD
2	12	1AFBP3720	NUT, HEX, 1-1/4"-7, GRD 8, YZ
3	6	1AFC12SDAH8	BOLT, 1-1/4-7 X 4", GRD 8, YZ
4	1	5C000172	PUSH BLOCK W/ DEMCO LOGO

4C000139
(PUSH BLOCK PINTLE HITCH W/ HARDWARE, UR BUMPER)

BOM ID	Qty	Item No	Description
1	10	1AFBP3634	WASHER, FLAT, 1-1/4, SAE, PLT
2	12	1AFBP3720	NUT, HEX, 1-1/4"-7, GRD 8, YZ
3	6	1AFC12SDAH8	BOLT, 1-1/4-7 X 4", GRD 8, YZ
4	1	5C000189	PUSH BLOCK W/ DEMCO LOGO

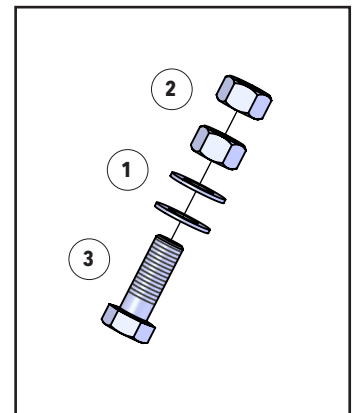


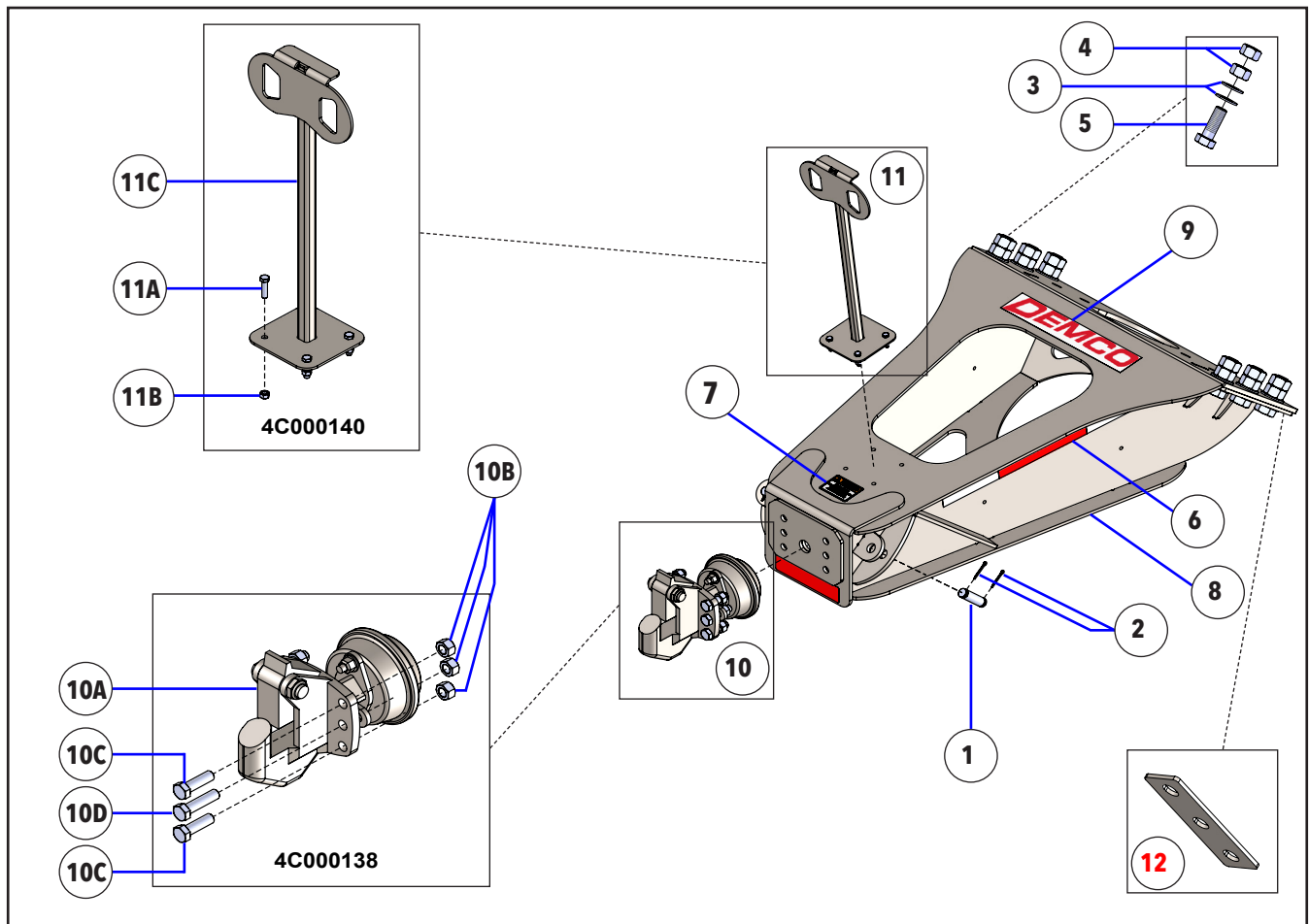
UNDERRIDE BUMPER ONLY HARDWARE

BOM ID	Qty	Item No	Description
1	8	1AFBP3634	WASHER, FLAT, 1-1/4, SAE, PLTD
2	8	1AFBP3720	NUT, HEX, 1-1/4"-7, GRD 8, YZ
3	4	1AFC12SDAH8	BOLT, 1-1/4-7 X 4", GRD 8, YZ

4C000118
(UNDERRIDE BUMPER PROTECTOR, COMPLETE W/O HARDWARE)

BOM ID	Qty	Item No	Description
1	7.95	1AQAS000000	RWR CONSPICUITY TAPE
2	1	1AQCD065061	ICC BUMPER DECAL
3	2	1AR00000050	4X4X3/16 PLASTIC TUBE CAP
4	1	5CAM8105	UNDERRIDE BUMPER GUARD

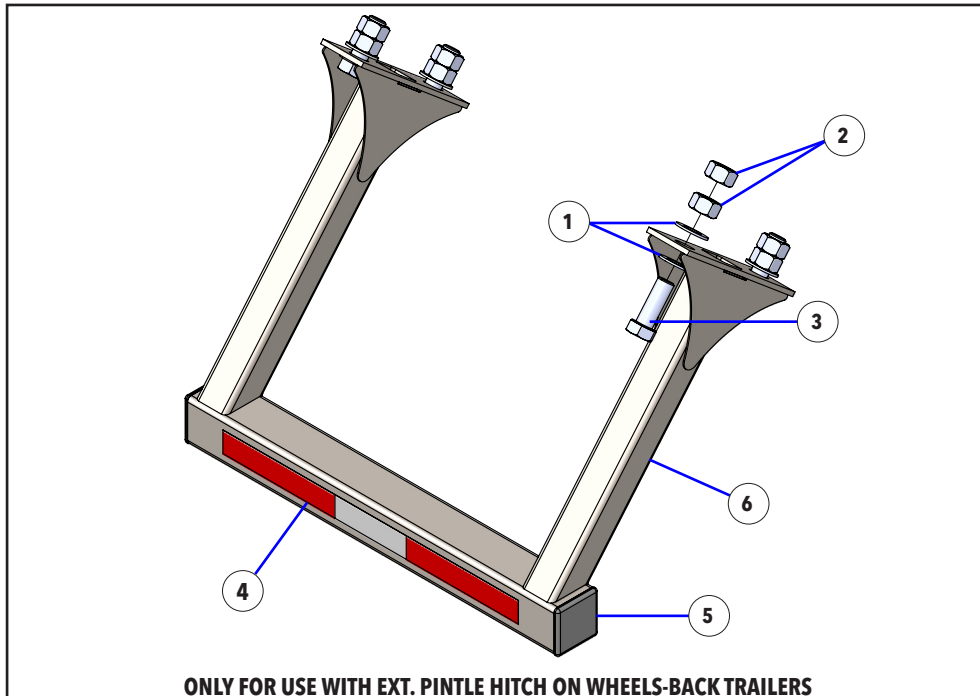




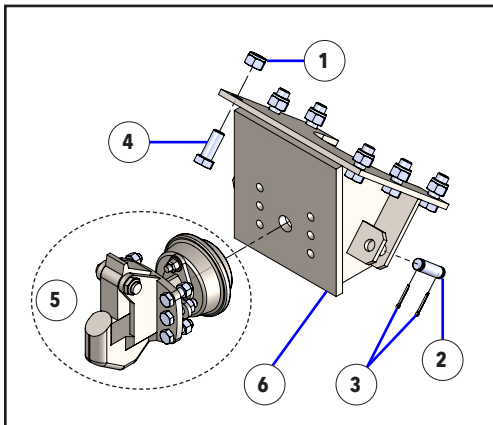
5C000200 (EXTENDED PINTLE HITCH ASSEMBLY)			
BOM ID	Qty	Item No	Description
1	2	1AFBP3403	PIN, CLEVIS, 1 X 2-3/4 USEABLE
2	4	1AFBP3511	PIN, COTTER, 3/16 X 1-3/4
3	10	1AFBP3634	WASHER, FLAT, 1-1/4, SAE, PLTD
4	12	1AFBP3720	NUT, HEX, 1-1/4"-7, GRD 8, YZ
5	6	1AFC12SDAH8	BOLT, 1-1/4-7 X 4", GRD 8, YZ
6	6.58	1AQAS000000	RWR CONSPICUITY TAPE
7	1	1AQWA065076	WARNING - HITCH LOAD HAZARD
8	1	5C000199	MY24 EXTENDED PINTLE HITCH MOUNT
9	1	DE21005	SMALL RED DEMCO DECAL, 17" X 3.125"
10	1	4C000138	PINTLE HOOK ASSY, COMPLETE W/ HARDWARE
10A	1	1ACAP3644	PINTLE HOOK ASSY W/ AIR LOCK, PREMIER 2300A
10B	6	1AFBP3442	NUT, HEX LOCK, 3/4"-10, TOP LOCK, GRD C, PLTD
10C	4	1AFBP3197	HEX CAP SCREW, 3/4"-10 X 2-1/2", GRD 8, PLTD
10D	2	1AFBP3209	HEX CAP SCREW, 3/4"-10 X 3, GRD 8, PLTD
11	1	4C000140	EXTENDED PINTLE HOSE HANGER COMPLETE W/ HARDWARE
11A	4	1AFBP3005	HEX CAP SCREW, 3/8"-16 X 1-1/2", GRD 5, PLTD
11B	4	1AFC17F0000	NUT, HEX, 3/8"-16, GRD 2, PLTD
11C	1	5C000192	EXTENDED PINTLE HOSE HANGER
12*	2	3C000226	MY24 EPH MOUNTING BACKING PLATE

*NOT REQUIRED WHEN MOUNTING WITH UNDERRIDE BUMPER

REAR ATTACHMENT OPTIONS

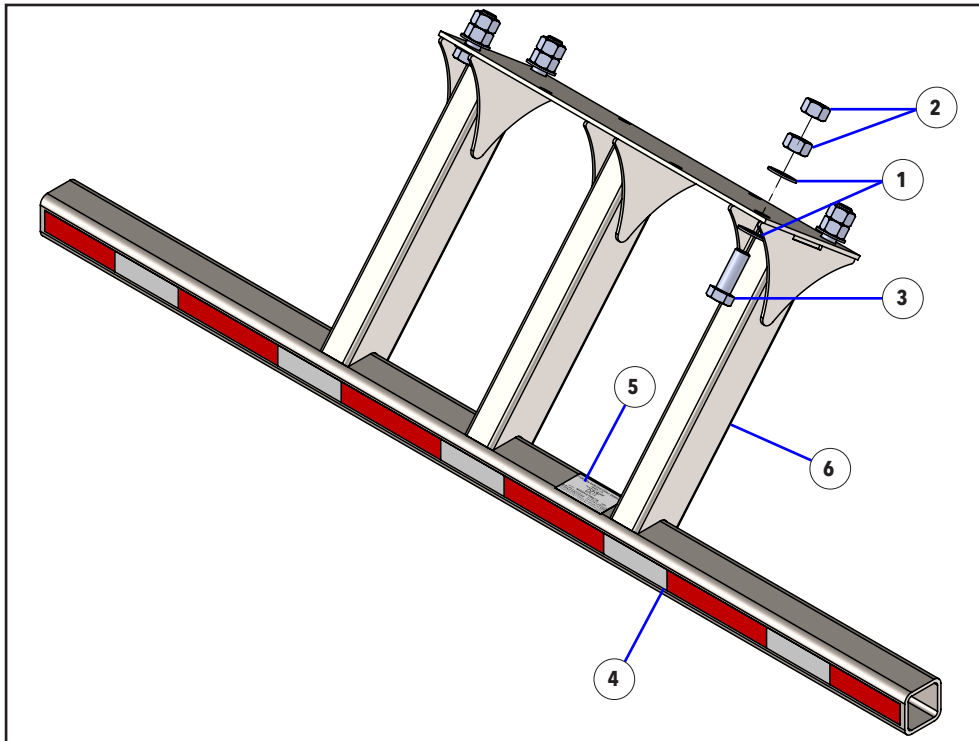


4C000153 (LIGHTWEIGHT BUMPER, COMPLETE FOR EXTENDED PINTLE HITCH)			
BOM ID	Qty	Item No	Description
1	8	1AFBP3634	WASHER, FLAT, 1-1/4, SAE, PLTD
2	8	1AFBP3720	NUT, HEX, 1-1/4"-7, GRD 8, YZ
3	4	1AFC12SDAH8	BOLT, 1-1/4-7 X 4", GRD 8, YZ
4	2.42	1AQAS000000	RWR CONSPICUITY TAPE
5	2	1AR00000050	4X4X3/16 PLASTIC TUBE CAP
6	1	5C000227	MY24 SLIM BUMPER FOR EPH, WELDMENT



STANDARD PINTLE HITCH MOUNT			
BOM ID	Qty	Item No	Description
1	6	1AFBP3295	NUT, NYLOCK, 1"-8, GRD 8, YZ
2	2	1AFBP3403	PIN, CLEVIS, 1" X 2-3/4" L
3	4	1AFBP3511	PIN, COTTER, 3/16 X 1-3/4
4	6	1AFBP3721	BOLT, 1"-8 X 2-1/2", GRD 8, YZ
5*	1	4C000138	PINTLE HOOK ASSY, COMP.
6	1	5CAM8103	PINTLE HITCH MOUNT

*SEE PREVIOUS PAGE FOR PARTS BREAKDOWN

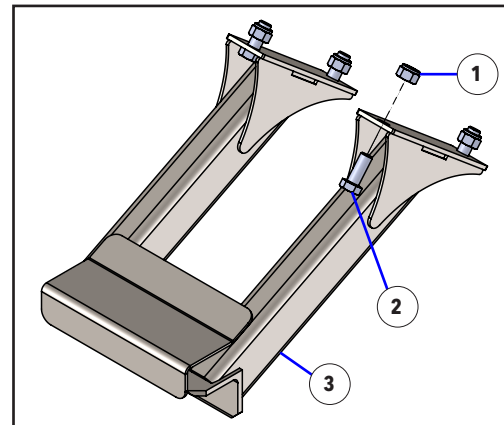


CMVSS UNDERRIDE BUMPER

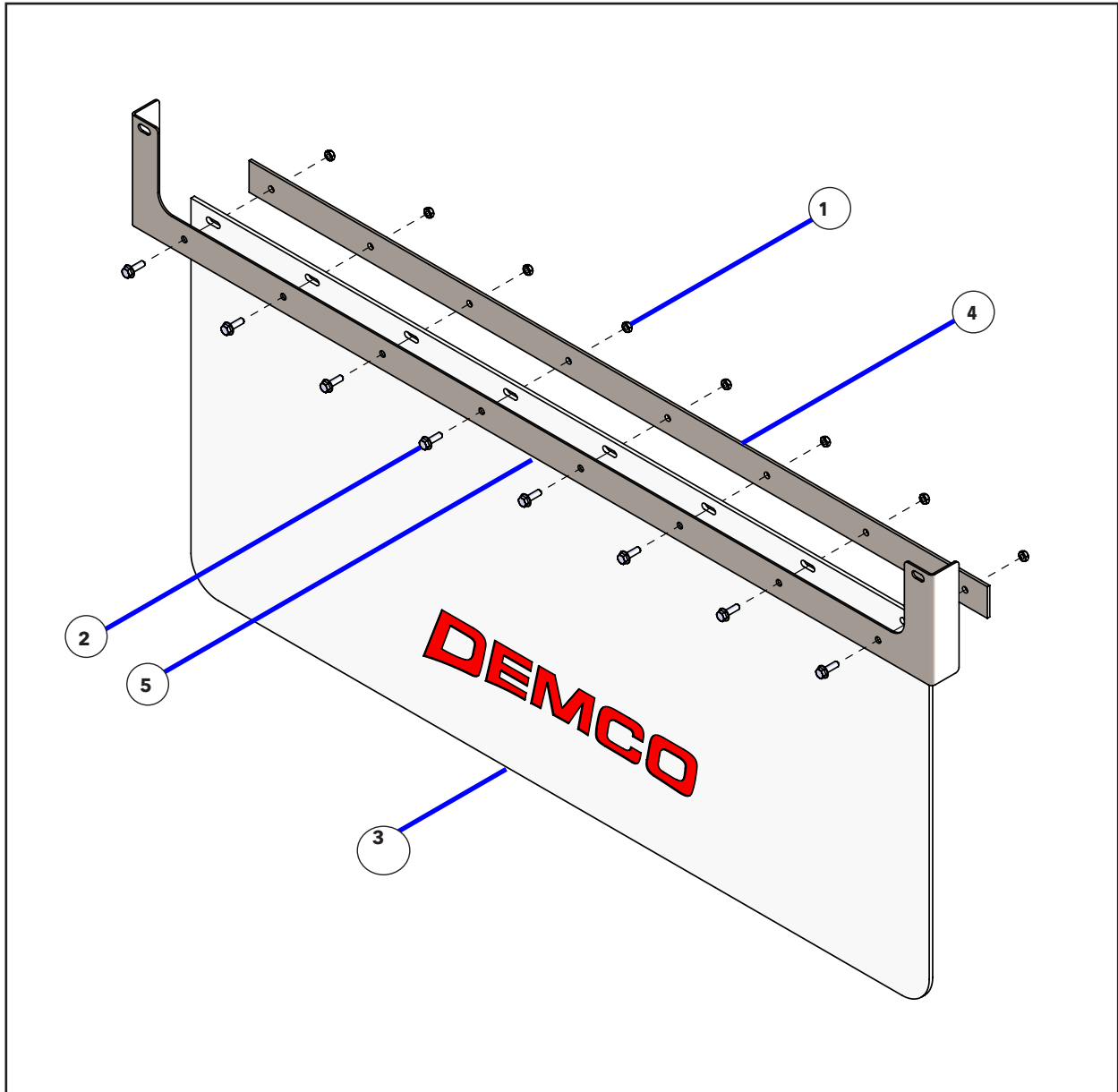
BOM ID	Qty	Item No	Description
1	8	1AFBP3634	WASHER, FLAT, 1-1/4, SAE, PLTD
2	8	1AFBP3720	NUT, HEX, 1-1/4"-7, GRD 8, YZ
3	4	1AFC12SDAH8	BOLT, 1-1/4-7 X 4", GRD 8, YZ
4	7.95	1AQAS000000	RWR CONSPICUITY TAPE
5	1	1AQCD065061	ICC BUMPER DECAL
6	1	5CAM9343	UNDERRIDE BUMPER GUARD, CMVSS

PUSH BLOCK COMPATIBLE W/ CMVSS BUMPER

BOM ID	Qty	Item No	Description
1	4	1AFBP3295	NUT, NYLOCK, 1"-8, PLTD
2	4	1AFBP3721	BOLT, 1"-8 X 2-1/2", GRD 8, YZ
3	1	5CAM9345	CMVSS BUMPER PUSHBLOCK



REAR STROBE LIGHT OPTION



5C000186 (REAR CENTER MUD FLAP OPTION)

BOM ID	Qty	Item No	Description
1	8	1AFBP3644	NUT, HEX LOCK, 5/16"-18 TOP LOCK, PLTD
2	8	1AFBP3709	BOLT, FLANGE HEAD, 5/16"-18 X 1, GR 8, PLTD
3	1	1AU00000807	CENTER MUD FLAP, 54" X 24.5" W/ LOGO
4	1	3C000180	CENTER MUD FLAP BACKING STRAP
5	1	5C000185	REAR CENTER MUDFLAP BRKT WELDMENT

DEMCO

4010 320th St., Boyden, IA. 51234

Phone: (712) 725-2311

Fax: (712) 725-2380

Toll Free: 1-800-54DEMCO (1-800-543-3626)

**Demco warranty policies, operator manuals, and product registration
can be found online:**

www.demco-products.com